



US00D882311S

(12) **United States Design Patent** (10) **Patent No.:** **US D882,311 S**
Davis et al. (45) **Date of Patent:** **** Apr. 28, 2020**

- (54) **TABLE**
- (71) Applicant: **WALKER EDISON FURNITURE COMPANY LLC**, Salt Lake City, UT (US)
- (72) Inventors: **Matthew Davis**, Murray, UT (US);
Brad Bonham, Draper, UT (US);
Richard Packer, Kaysville, UT (US)
- (73) Assignee: **WALKER EDISON FURNITURE COMPANY LLC**, Salt Lake City, UT (US)

- D281,555 S 12/1985 Levy
- D288,880 S 3/1987 Favaretto
- D293,181 S 12/1987 Solaro
- D334,856 S 4/1993 Sielaff
- D336,394 S 6/1993 Ball
- D343,311 S 1/1994 Ball
- 5,483,901 A 1/1996 Tisbo
- D367,379 S 2/1996 Nicholson
- D443,440 S 6/2001 Deimen
- D506,091 S 6/2005 Cioncada
- D510,492 S 10/2005 Sakurai
- D530,548 S 10/2006 McCurry
- D552,885 S 10/2007 Saotome

(Continued)

- (**) Term: **15 Years**
- (21) Appl. No.: **29/656,481**
- (22) Filed: **Jul. 12, 2018**
- (51) **LOC (12) Cl.** **06-03**
- (52) **U.S. Cl.**
USPC **D6/691**
- (58) **Field of Classification Search**
USPC D6/685, 686, 691, 691.1-691.9
CPC A47B 7/00; A47B 13/00; A47B 13/02;
A47B 13/04; A47B 13/06; A47B 13/08;
A47B 17/00; A47B 21/00; A47B
2200/0001; A47B 2200/0011; A47B
2200/002
See application file for complete search history.

- (56) **References Cited**
U.S. PATENT DOCUMENTS
606,845 A 7/1898 Simmons
D96,633 S 8/1935 Swanson
D104,153 S 4/1937 Wilson
D194,573 S 2/1963 Ovendale
D220,443 S 4/1971 Beavers
D228,106 S * 8/1973 Klotz et al. D6/691.6
D234,735 S 4/1975 Podell
D261,712 S 11/1981 Ferdinand

OTHER PUBLICATIONS

Mireille Acrylic Coffee Table—Houzz.com <https://www.houzz.com/products/mireille-acrylic-coffee-table-prvw-vr-75509456> retrieved from the internet on Dec. 5, 2019.*

(Continued)

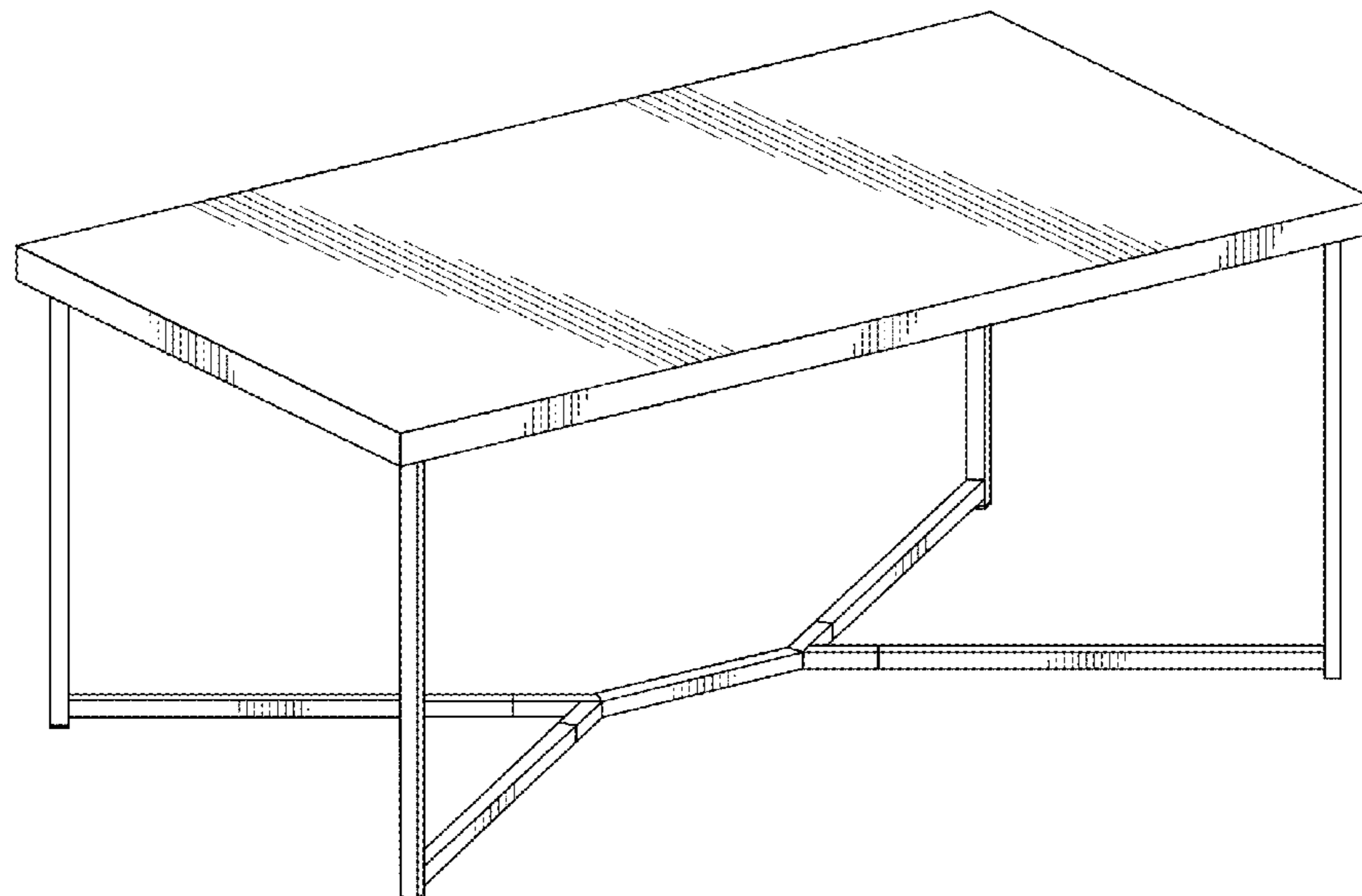
Primary Examiner — Mary Ann Calabrese
(74) *Attorney, Agent, or Firm* — Workman Nydegger

- (57) **CLAIM**
The ornamental design for a table, as shown and described.

DESCRIPTION

FIG. 1 is a front perspective view of a table showing the new design;
FIG. 2 is a front elevation view thereof;
FIG. 3 is a back elevation view thereof;
FIG. 4 is a top plan view thereof;
FIG. 5 is a bottom plan view thereof;
FIG. 6 is a right elevation view thereof; and,
FIG. 7 is a left elevation view thereof.
The broken lines in the drawings are for the purpose of illustrating portions of the article that form no part of the claimed design.

1 Claim, 4 Drawing Sheets



(56)

References Cited

U.S. PATENT DOCUMENTS

D588,380	S	3/2009	Bucholz	
D608,568	S	1/2010	Manz	
7,640,869	B2	1/2010	Leng	
D614,889	S	5/2010	Van Duysen	
D618,936	S	7/2010	Xu	
D624,336	S	9/2010	Schultz	
D626,767	S	11/2010	Lucci	
D640,075	S	6/2011	Petrick	
D655,951	S	3/2012	McCurry	
D662,335	S *	6/2012	Schultz D6/691.8
D669,709	S	10/2012	Nakamura	
D671,339	S	11/2012	Nakamura	
D676,689	S	2/2013	Matsushita	
D688,075	S	8/2013	Lucci	
D695,557	S	12/2013	Carretta	
D703,465	S	4/2014	Weatherly	
D775,877	S	1/2017	Lin	
D782,855	S	4/2017	Scagnellato	
D784,742	S *	4/2017	Grossinger D6/691
D785,384	S	5/2017	Bettin	
D808,207	S	1/2018	Davis	
D826,608	S *	8/2018	Pedersen D6/708.23
D829,013	S	9/2018	Velez	
2010/0186640	A1	7/2010	Leng	

OTHER PUBLICATIONS

Y leg coffee table—Walker Edison Furniture Company <http://tyronetees.info/walker-edison-furniture-company/> retrieved from the internet on Dec. 5, 2019.*

Silver Orchid Ipsen Coffee Table—Overstock.com—retrieved from the internet on Dec. 5, 2019 https://www.overstock.com/Home-Garden/42-Modern-Y-Base-Coffee-Table-42-x-22-x-18h/20272628/product.html?refccid=HGEC4SSBYVX2DRKE6RT64Z32A4&searchidx=0&option=33674622&kwds=Silver%20Orchid%20Ipsen%2042-inch&rfmt=*

48" Angle Iron Wood Dining Table Barnwood by Walker Edison Furniture Company—Amazon.com <https://www.amazon.com/W-Designs-Angle-Dining-Barnwood/dp/B0719416WK> retrieved from the internet on Sep. 8, 2019.

U.S. Appl. No. 29/634,915, filed Sep. 19, 2019, Notice of Allowance.

Madelyn Urban Blend Wood Dining Table, posted at Allmodern.com, posted on Apr. 29, 2017, site visited Mar. 8, 2019. online, available from internet: <https://www.allmodern.com/furniture/pdp/madelyn-urban-blend-wood-dining-table-lrfy7130.html?piid=20742762#2izwgxw61p-7> (Year: 2017).

bonVIVO Designer Coffee Table, posted at Amazon.com, posted on Feb. 15, 2017, site visited Mar. 8, 2019. online, available from internet: <https://www.amazon.com/bonVIVO-Designer-Coffee-Donatella-Natural/dp/B06VVXJ6BH> (Year: 2017).

U.S. Appl. No. 29/634,908, filed Mar. 15, 2019, Non-Final Office Action.

U.S. Appl. No. 29/634,908, filed Aug. 6, 2019, Notice of Allowance.

U.S. Appl. No. 29/634,908, filed Jan. 25, 2018, Davis.

U.S. Appl. No. 29/634,915, filed Jan. 25, 2018, Davis.

Metal Coffee Table; <https://www.overstock.com/Home-Garden/42-Metal-Coffee-Table-42-x-24-x-18h/15951452/product.html>; Retrieved on Nov. 13, 2018.

* cited by examiner

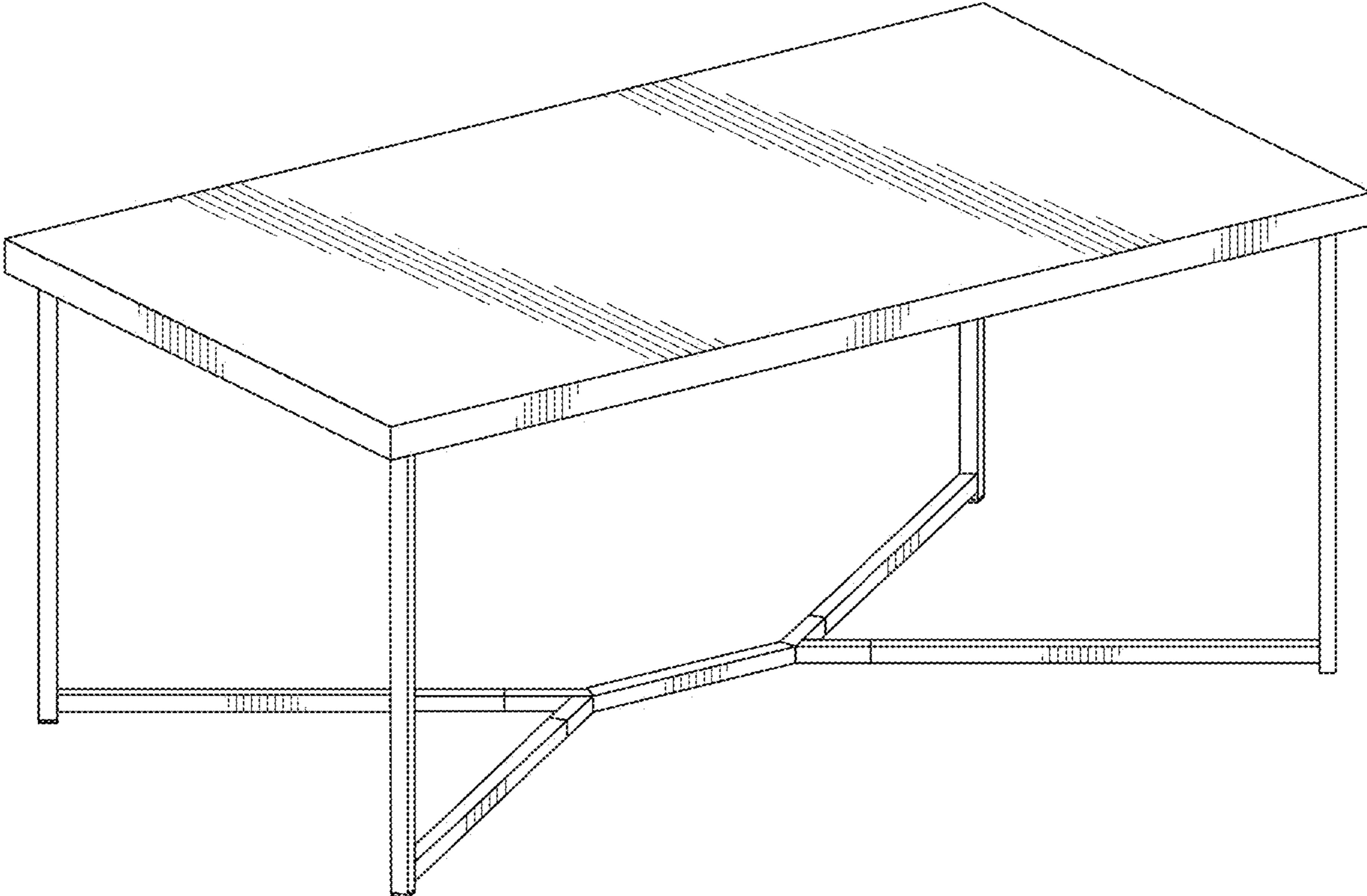


FIG. 1

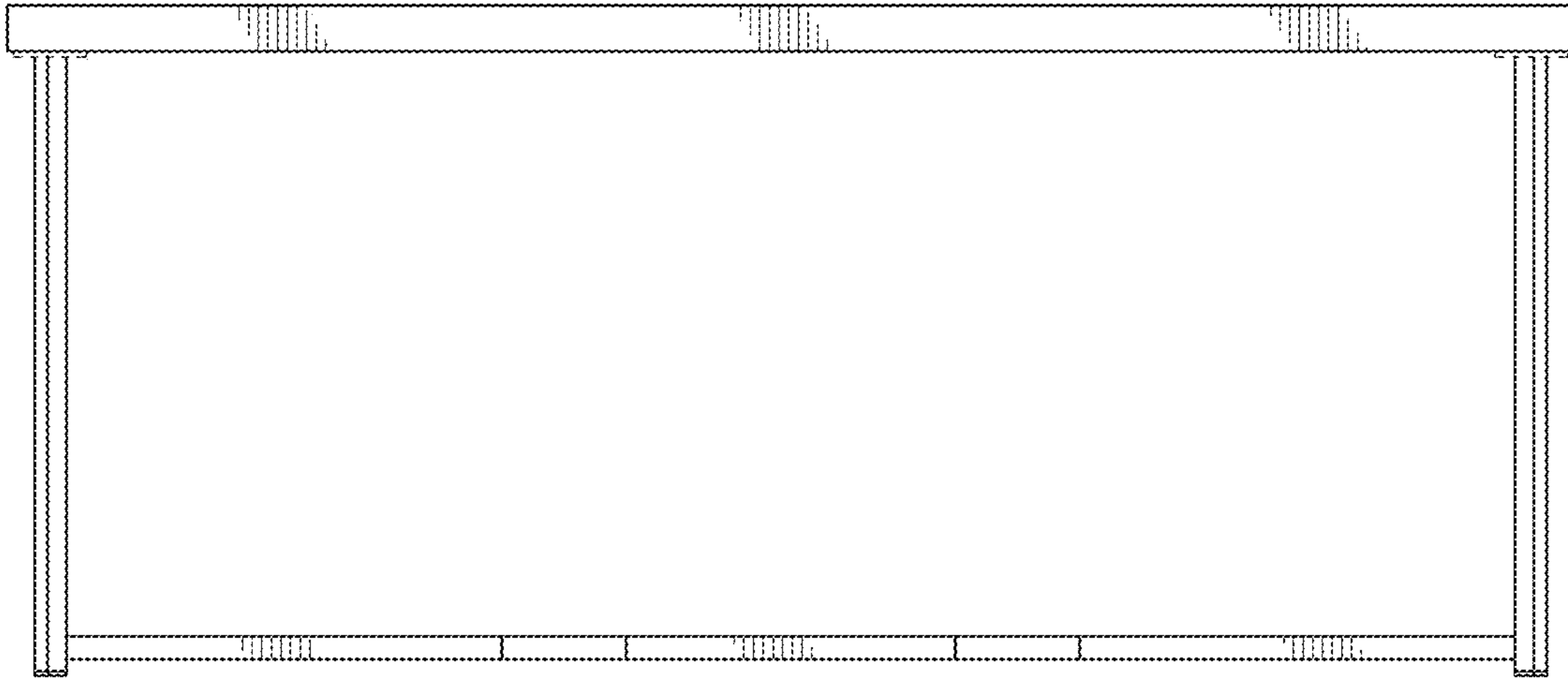


FIG. 2

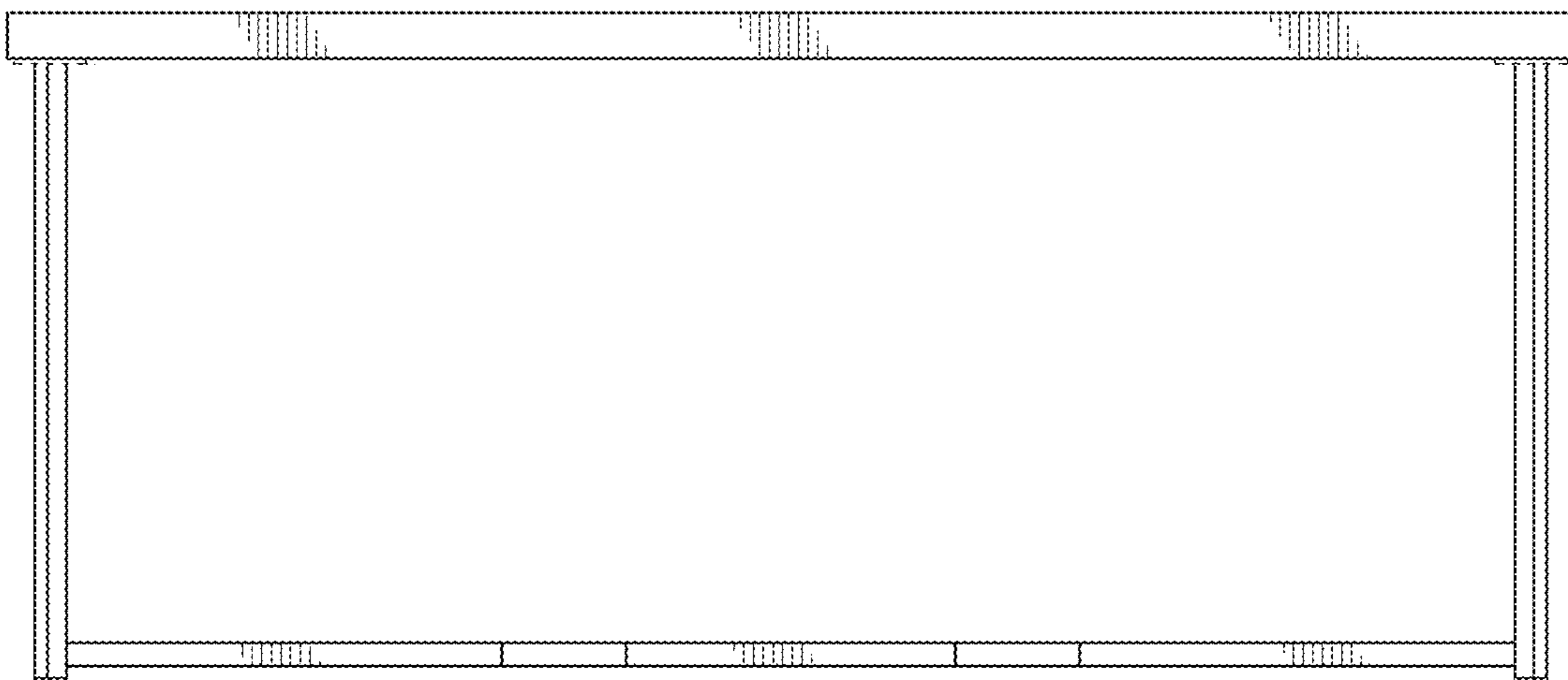


FIG. 3

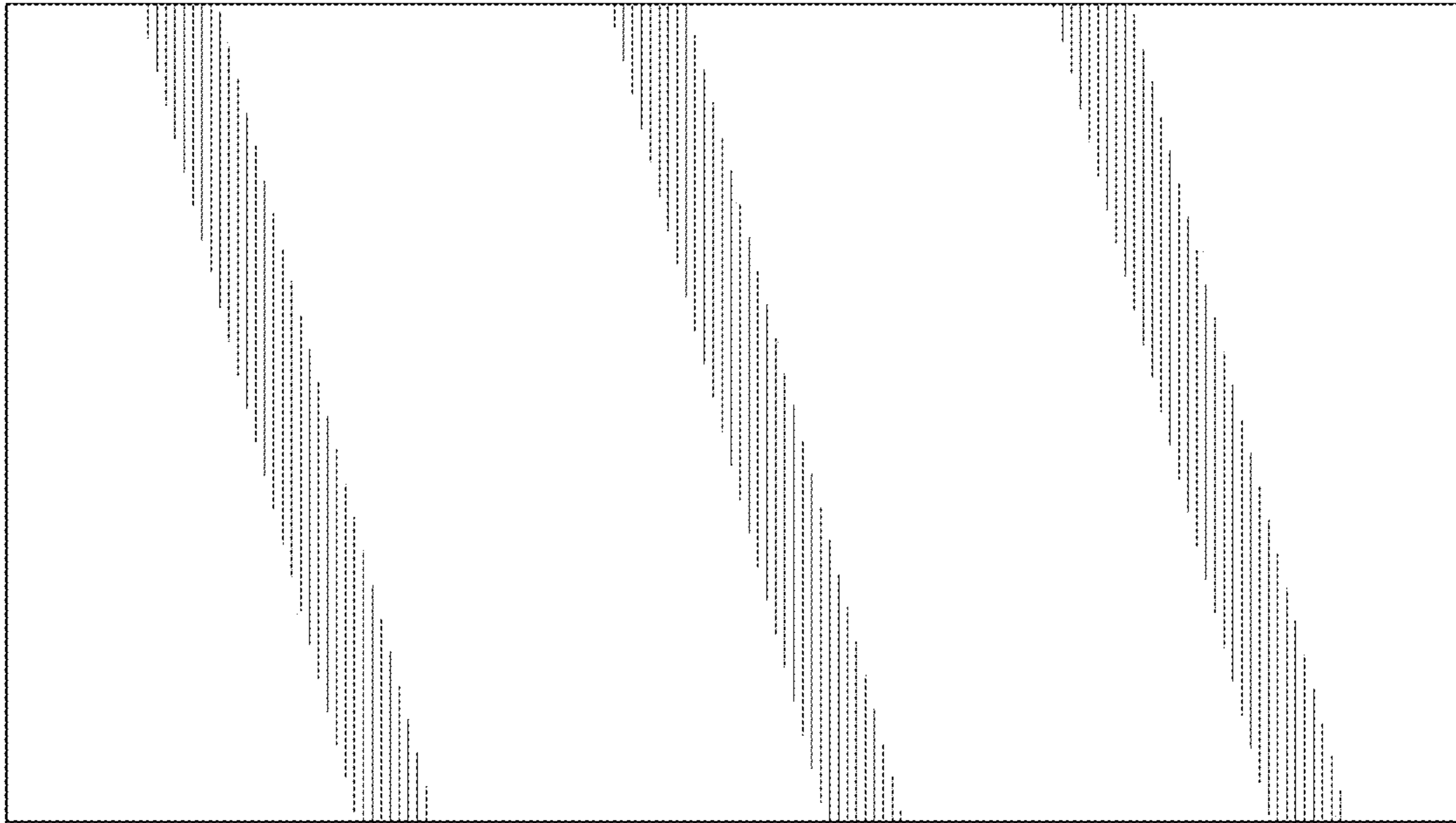


FIG. 4

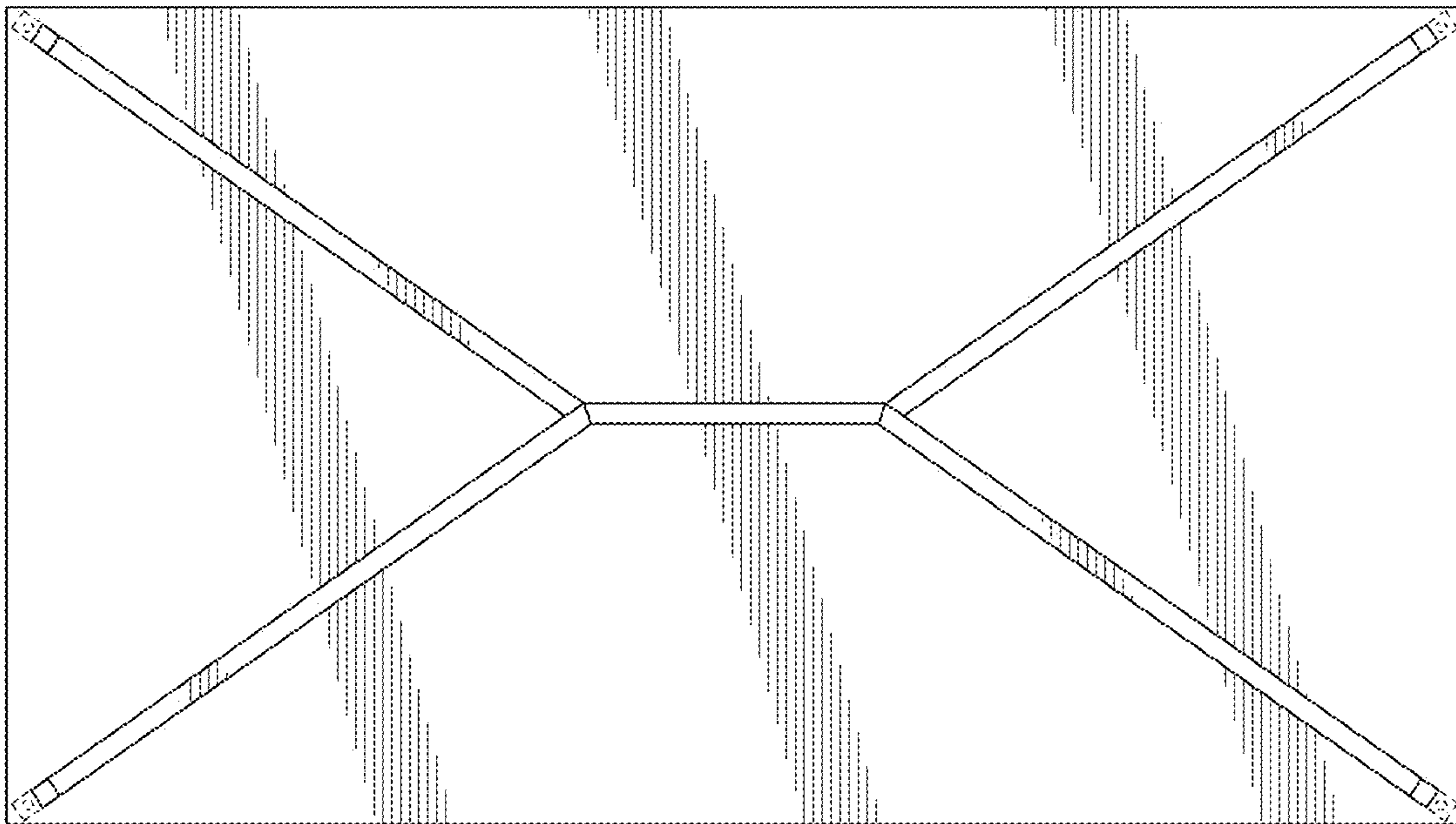


FIG. 5

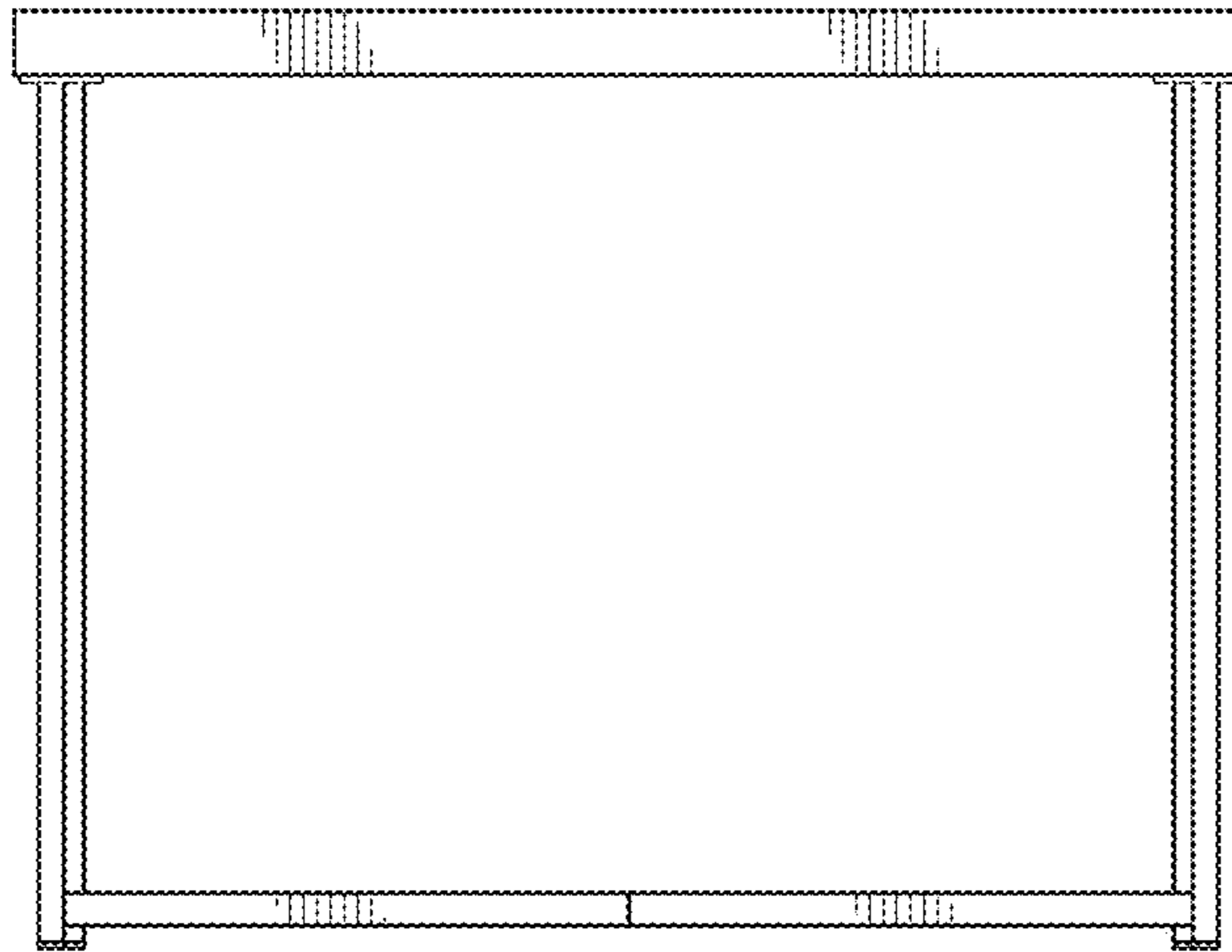


FIG. 6

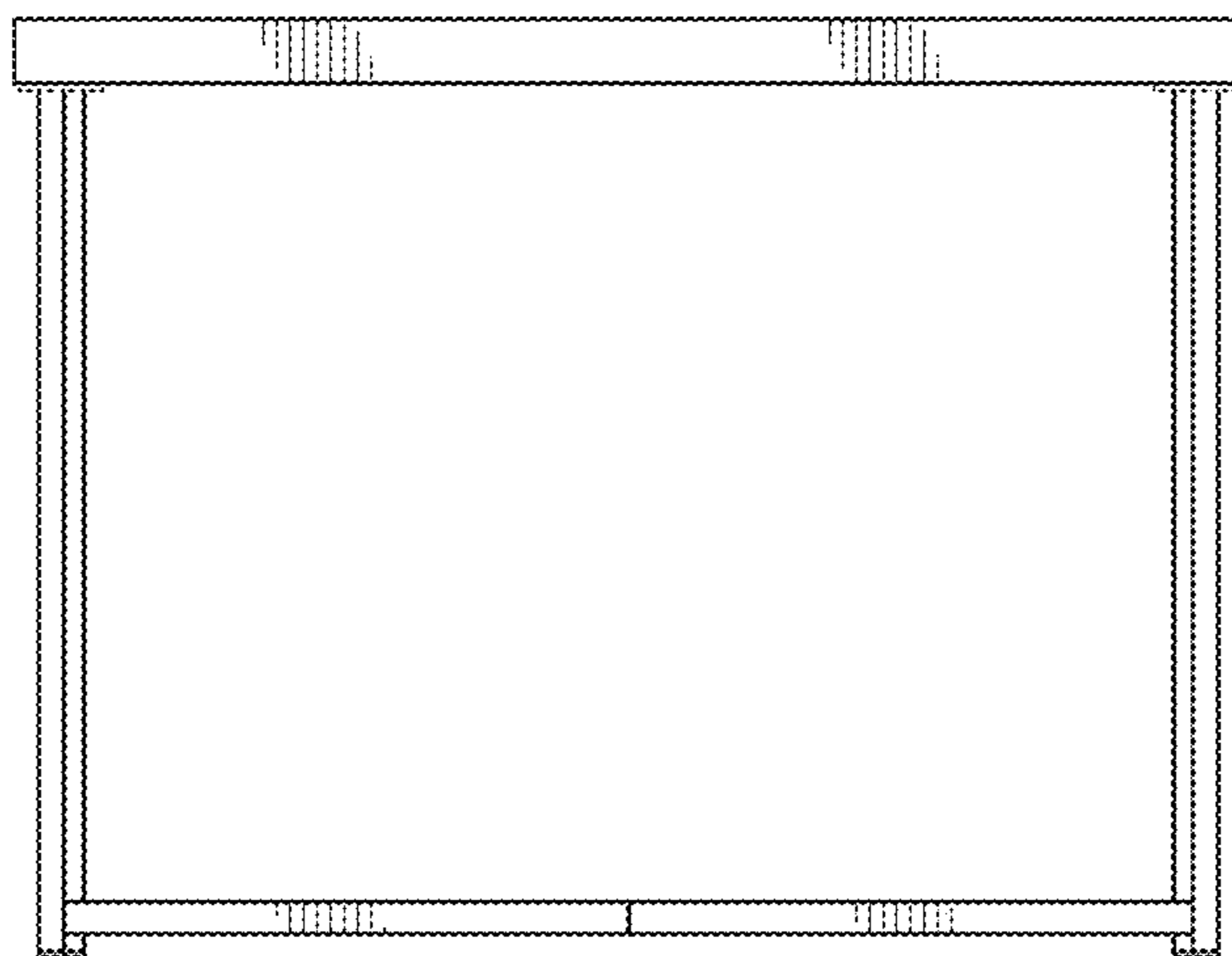


FIG. 7