



US00D882307S

(12) **United States Design Patent** (10) **Patent No.:** **US D882,307 S**
Chiang (45) **Date of Patent:** **** Apr. 28, 2020**

(54) **PRODUCT DISPLAY STAND**
(71) Applicant: **My Gift Enterprise, LLC**,
Woodinville, WA (US)
(72) Inventor: **Cliff Chiang**, Woodinville, WA (US)
(**) Term: **15 Years**
(21) Appl. No.: **29/672,697**
(22) Filed: **Dec. 7, 2018**
(51) **LOC (12) Cl.** **06-06**
(52) **U.S. Cl.**
USPC **D6/675.4**
(58) **Field of Classification Search**
USPC D6/315, 317, 319, 329, 673, 675, 675.1,
D6/675.2, 675.3, 675.4, 678.4, 680.2,
D6/680.3, 702
CPC A47B 47/00; A47B 47/02; A47B 55/02;
A47B 73/00; A47B 73/002; A47F 5/00;
A47F 5/0018; A47F 5/0025; A47F
5/0056; A47F 5/01
See application file for complete search history.

D651,024 S * 12/2011 Shenkin D6/675.3
D657,591 S * 4/2012 Sanchez D6/675.1
D660,052 S * 5/2012 Flores D6/675.2
D716,080 S * 10/2014 Bell D6/675.1
9,004,300 B1 * 4/2015 Morrell A47F 5/137
108/107
D730,665 S * 6/2015 Murakami D6/675.3
D747,901 S * 1/2016 Kanagy D6/673
D752,372 S * 3/2016 Huff D6/678.4
D754,458 S * 4/2016 Mason D6/675.1
D775,871 S * 1/2017 Volz D6/675.1
D784,052 S * 4/2017 Rodriguez D6/675.2
D784,054 S * 4/2017 Arzaluz D6/675.2
9,743,784 B2 * 8/2017 Piskor A47F 5/10
D798,635 S * 10/2017 Aguilera D6/675.2
D815,469 S * 4/2018 Volz D6/675
D841,372 S * 2/2019 Murthy D6/675.4
D862,948 S * 10/2019 Sanford D6/675.1
2014/0230295 A1 * 8/2014 Hawkins A47F 5/0025
40/606.03

* cited by examiner

Primary Examiner — Kelley A Donnelly
(74) *Attorney, Agent, or Firm* — Dean Craine; Marisa Whitaker

(57) **CLAIM**

The ornamental design for the product display stand, as shown and described.

(56) **References Cited**

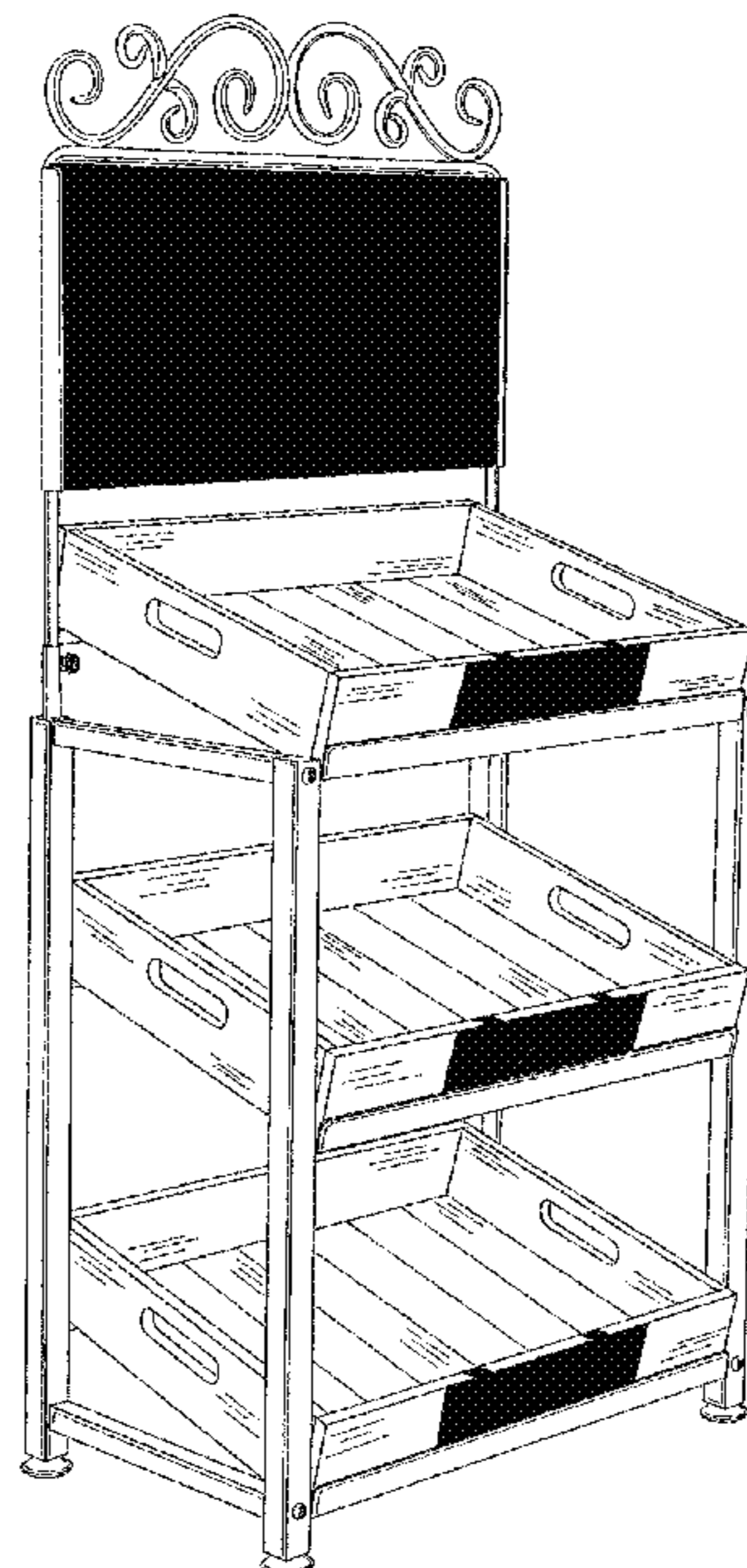
U.S. PATENT DOCUMENTS

D50,452 S * 3/1917 Stein D6/675.4
D162,990 S * 4/1951 Roeder D6/678.4
D244,982 S * 7/1977 Parra D6/675.2
D280,163 S * 8/1985 Leo, Sr. D6/675.4
D361,454 S * 8/1995 Compton D6/675.3
D538,556 S * 3/2007 Arias D6/678.1
D560,402 S * 1/2008 Lev D6/675.1
D580,193 S * 11/2008 Sparkowski D6/678.4
D598,220 S * 8/2009 Sparkowski D6/675.2
D608,115 S * 1/2010 Trinh D6/675.1
D635,801 S * 4/2011 Stubis D6/675.1
D644,452 S * 9/2011 Naples D6/675.1

DESCRIPTION

FIG. 1 is a front perspective view of a product display stand showing my new design.
FIG. 2 is a front elevational view thereof.
FIG. 3 is a rear elevational thereof.
FIG. 4 is a top plan view thereof.
FIG. 5 is a bottom plan view thereof.
FIG. 6 is a left side elevational view thereof; and,
FIG. 7 is a right side elevational view thereof.

1 Claim, 7 Drawing Sheets



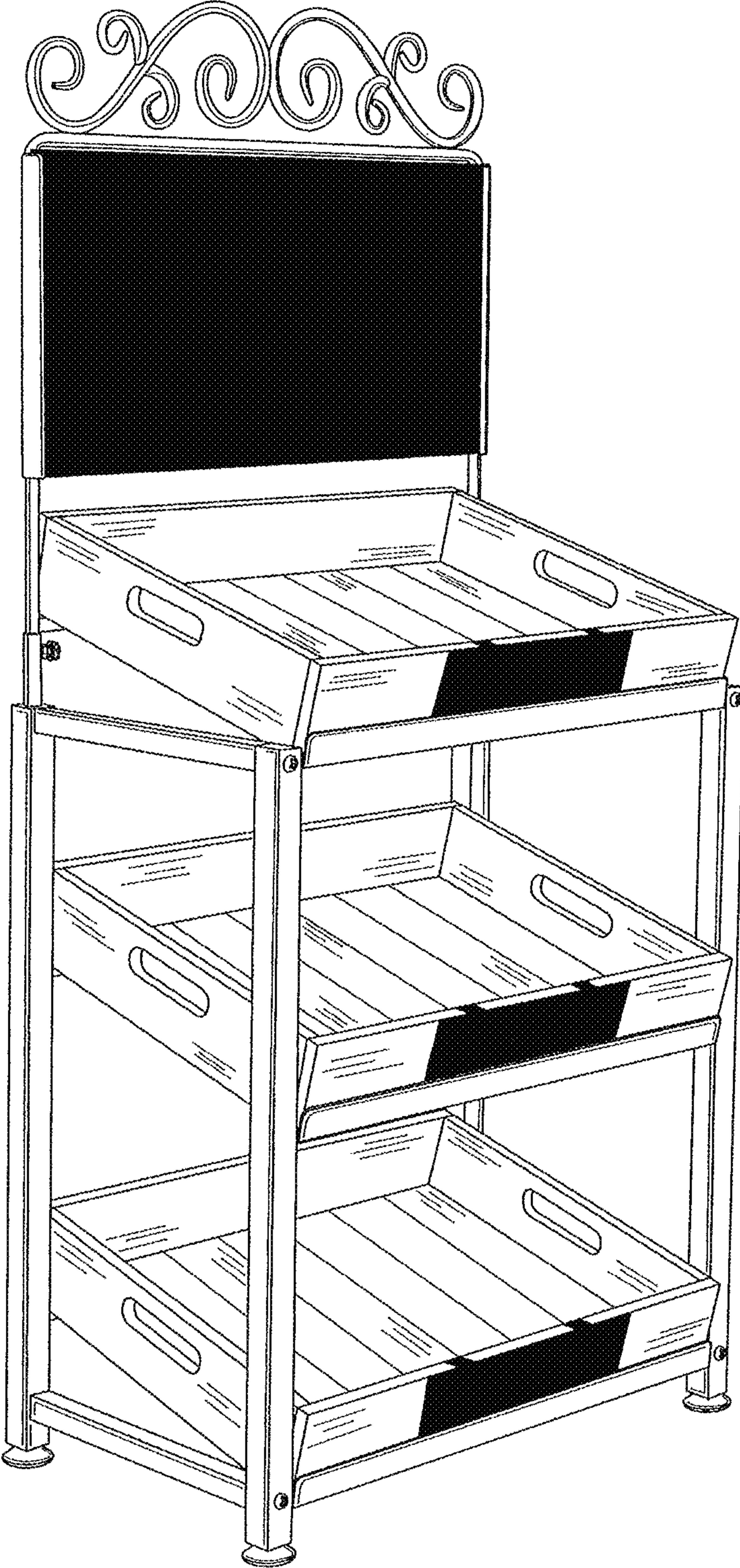


FIG. 1

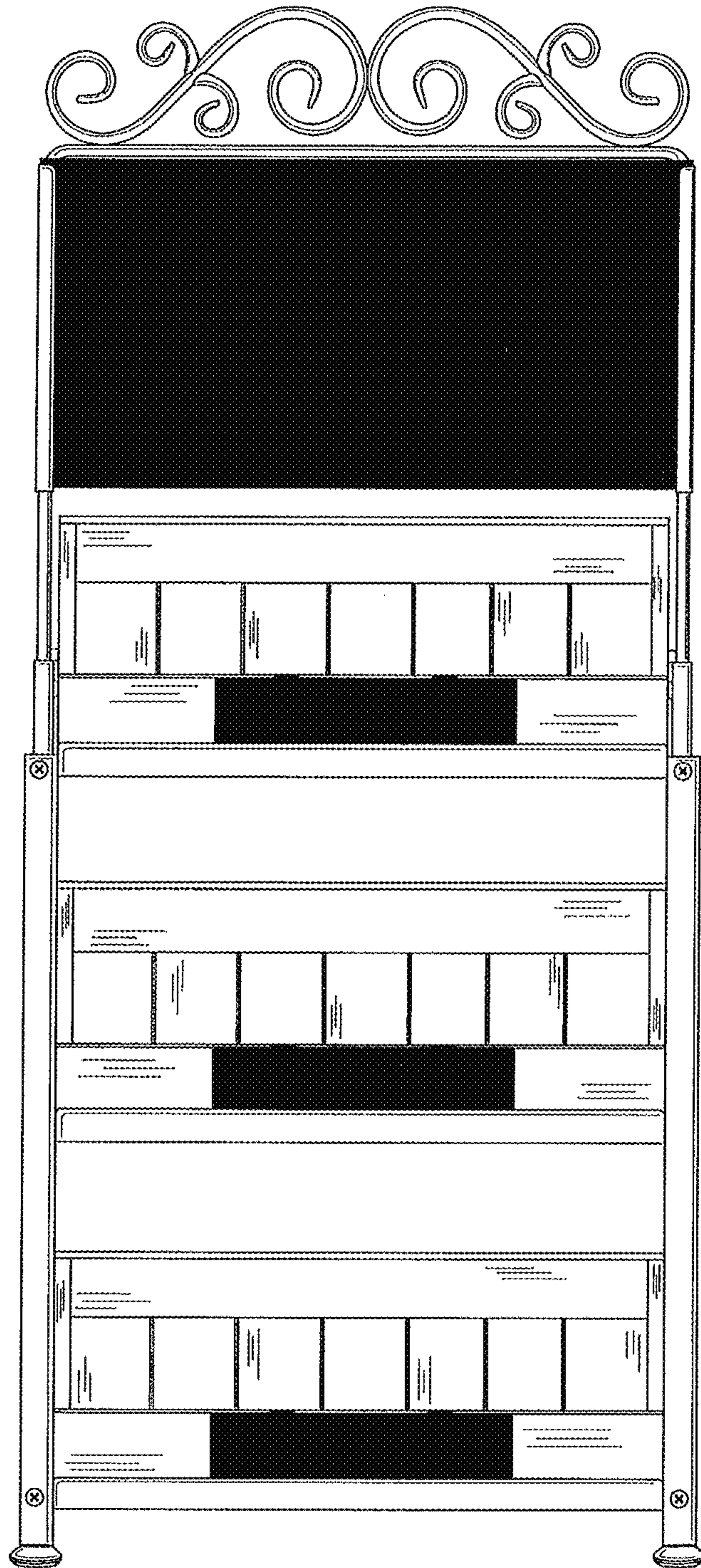


FIG. 2

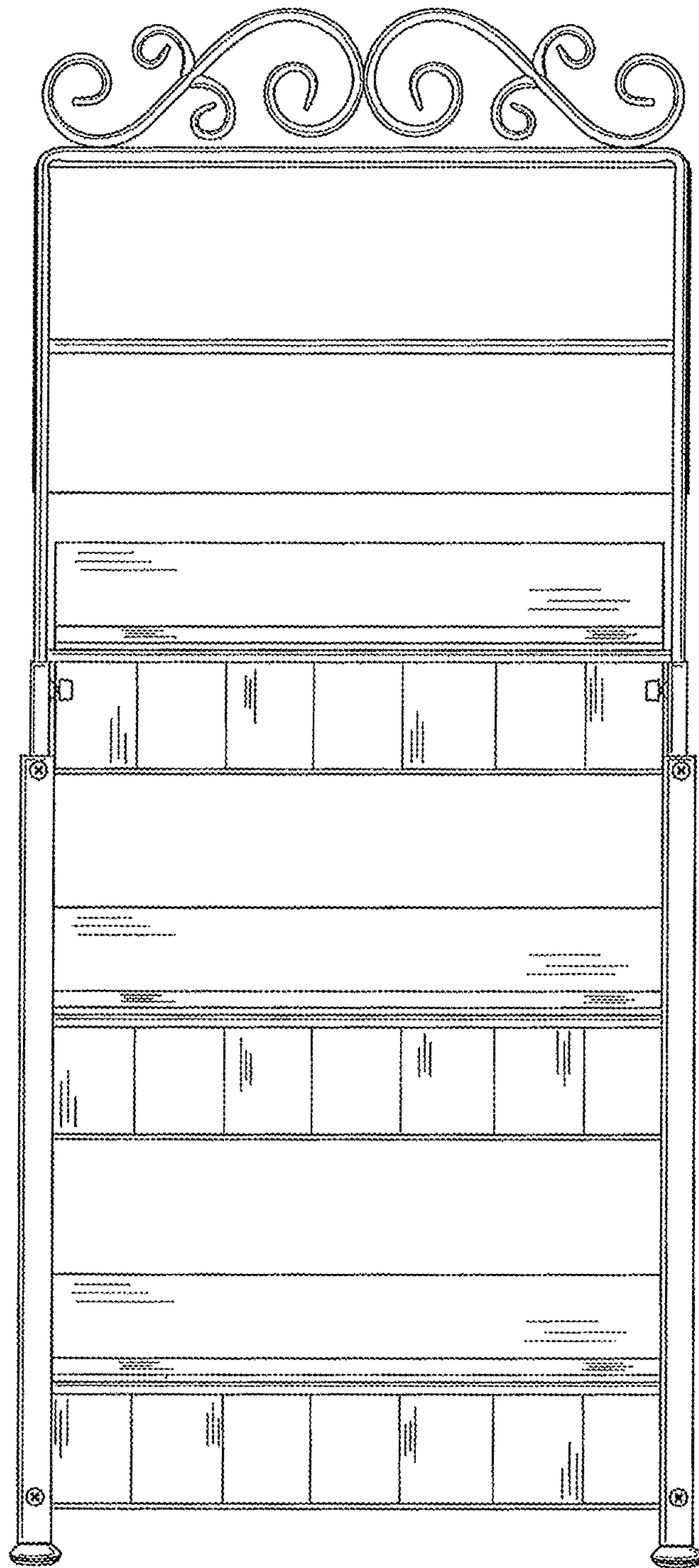


FIG. 3

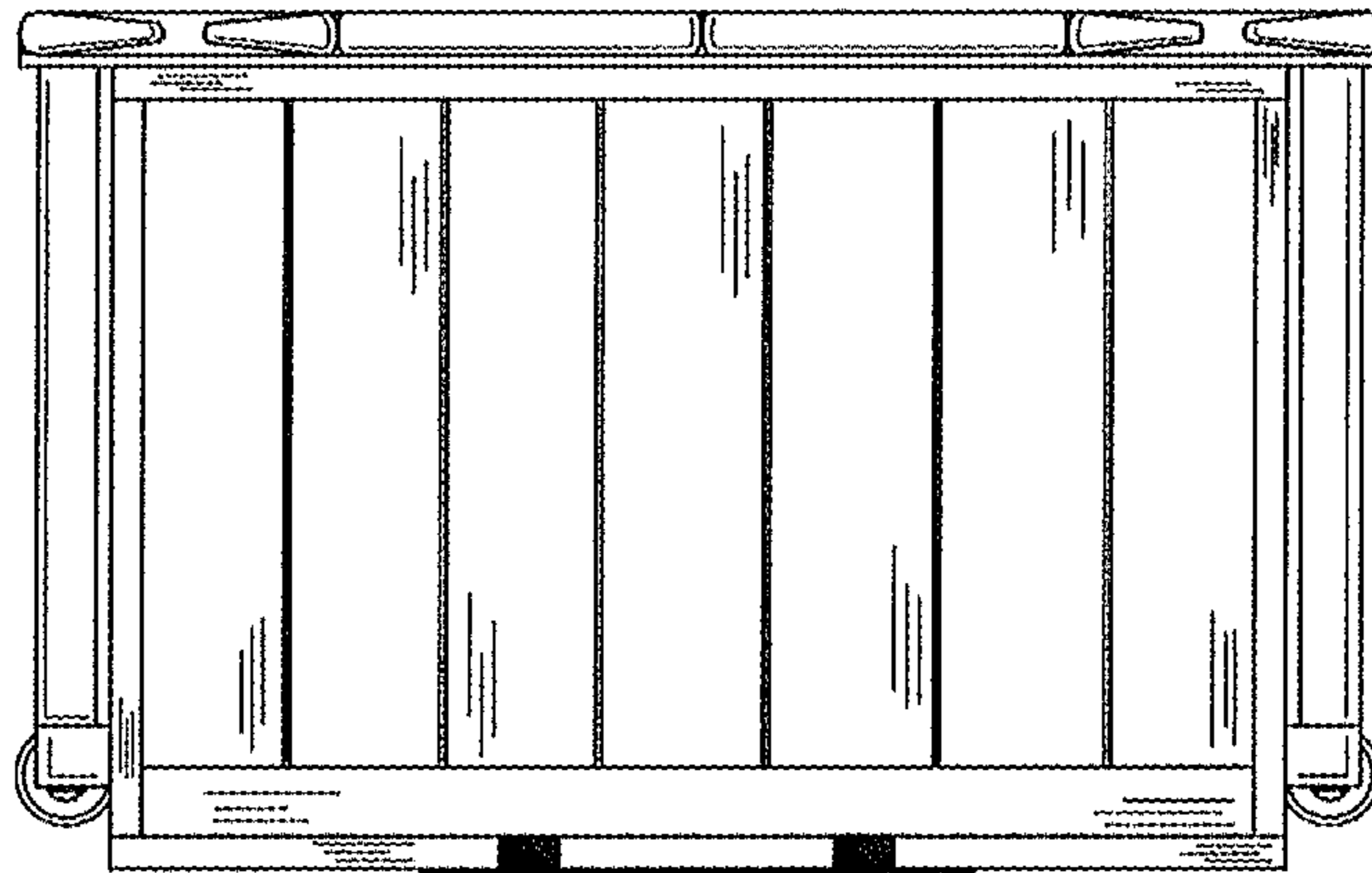


FIG. 4

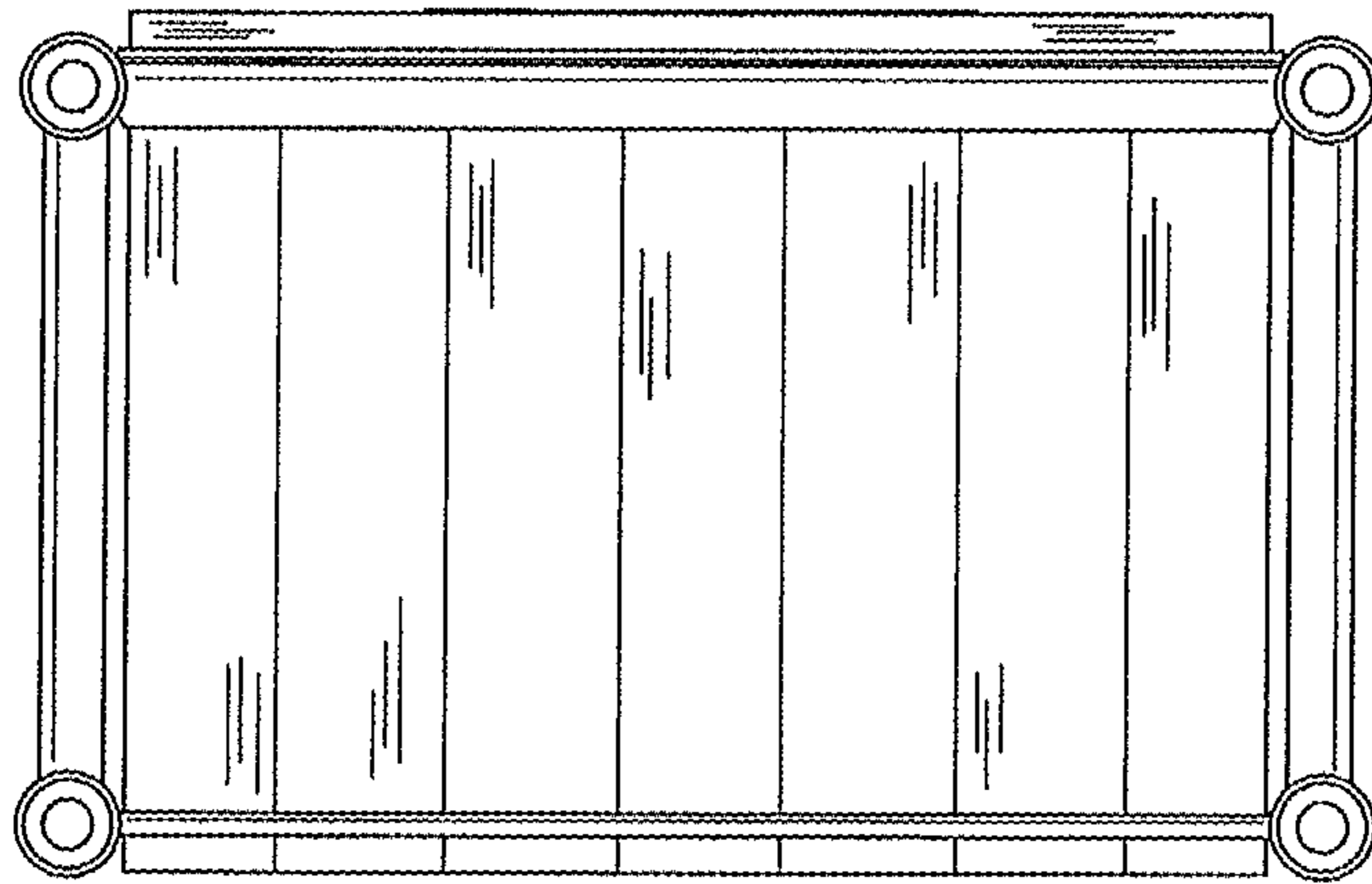


FIG. 5

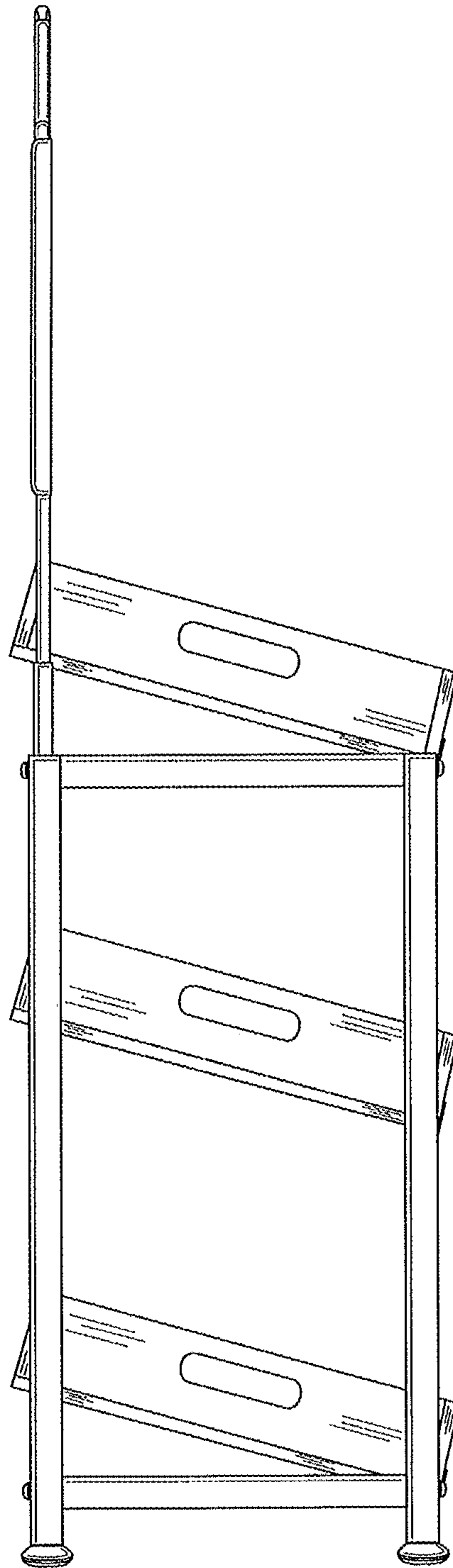


FIG. 6

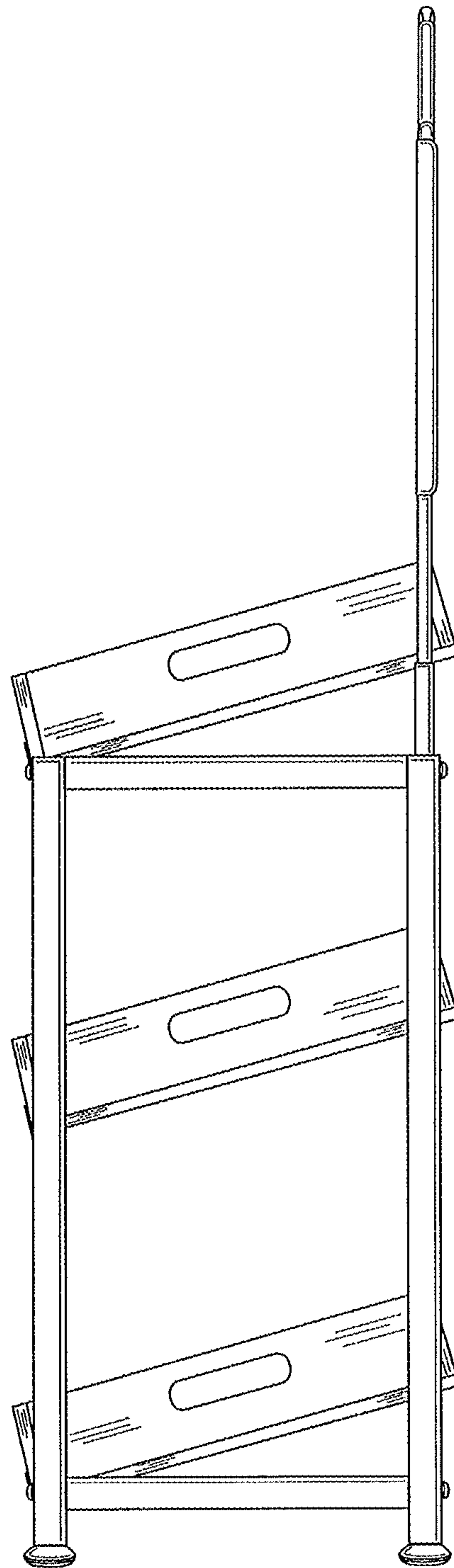


FIG. 7