



US00D882305S

(12) **United States Design Patent**
Reifert

(10) **Patent No.:** **US D882,305 S**
(45) **Date of Patent:** **** Apr. 28, 2020**

(54) **SELF-STANDING MERCHANDISE FRAME**

(71) Applicant: **Kyle Reifert**, Muscatine, IA (US)

(72) Inventor: **Kyle Reifert**, Muscatine, IA (US)

(**) Term: **15 Years**

(21) Appl. No.: **29/707,881**

(22) Filed: **Oct. 1, 2019**

Related U.S. Application Data

(63) Continuation of application No. 16/397,734, filed on Apr. 29, 2019.

(51) **LOC (12) Cl.** **20-02**

(52) **U.S. Cl.**
USPC **D6/672**

(58) **Field of Classification Search**
USPC D6/300, 672, 673, 681, 681.1, 681.2, D6/681.3, 682, 682.2, 682.4, 682.5, D6/682.6, 700, 701; D32/58
CPC .. A47F 5/01; A47F 5/0031; A47F 5/10; A47F 5/13; A47F 5/08; A47F 5/0081; A47F 1/00
See application file for complete search history.

(56) **References Cited**

U.S. PATENT DOCUMENTS

- 2,495,109 A * 1/1950 Kramer A47F 5/12
211/85.3
- D199,342 S * 10/1964 Durham et al. D6/672
- 3,172,539 A * 3/1965 Rulf A47F 5/0876
211/59.1
- 3,532,224 A * 10/1970 Grubb A47F 5/13
211/206
- 3,693,808 A * 9/1972 Rauch A47F 5/13
211/195
- 4,037,851 A * 7/1977 Romero A47F 5/13
280/79.3

- 4,068,855 A * 1/1978 Hackett A47F 5/13
211/189
- 4,106,736 A * 8/1978 Becker, III A47F 5/01
211/103
- 4,126,288 A * 11/1978 De Sisto A47F 5/13
211/182
- D253,323 S * 11/1979 Blatzer D6/310
- D267,683 S * 1/1983 Kates D6/682.6
- 4,403,554 A * 9/1983 Valentine A47F 5/10
108/180
- D279,057 S * 6/1985 Bolduc D6/673
- D291,164 S * 8/1987 Luyk D6/681.2
- D296,160 S * 6/1988 Rhodes D6/300
- D300,485 S * 4/1989 Scholl D6/681.1
- 4,819,899 A * 4/1989 Weil A47F 5/01
211/133.2
- 4,932,540 A * 6/1990 Pfeifer A47F 5/04
211/193
- D309,388 S * 7/1990 Yau Kee D6/300

(Continued)

Primary Examiner — Eric L Goodman

Assistant Examiner — Steven J Czyz

(74) *Attorney, Agent, or Firm* — Hamilton IP Law, PC;
Jay R. Hamilton; Charles A. Damschen

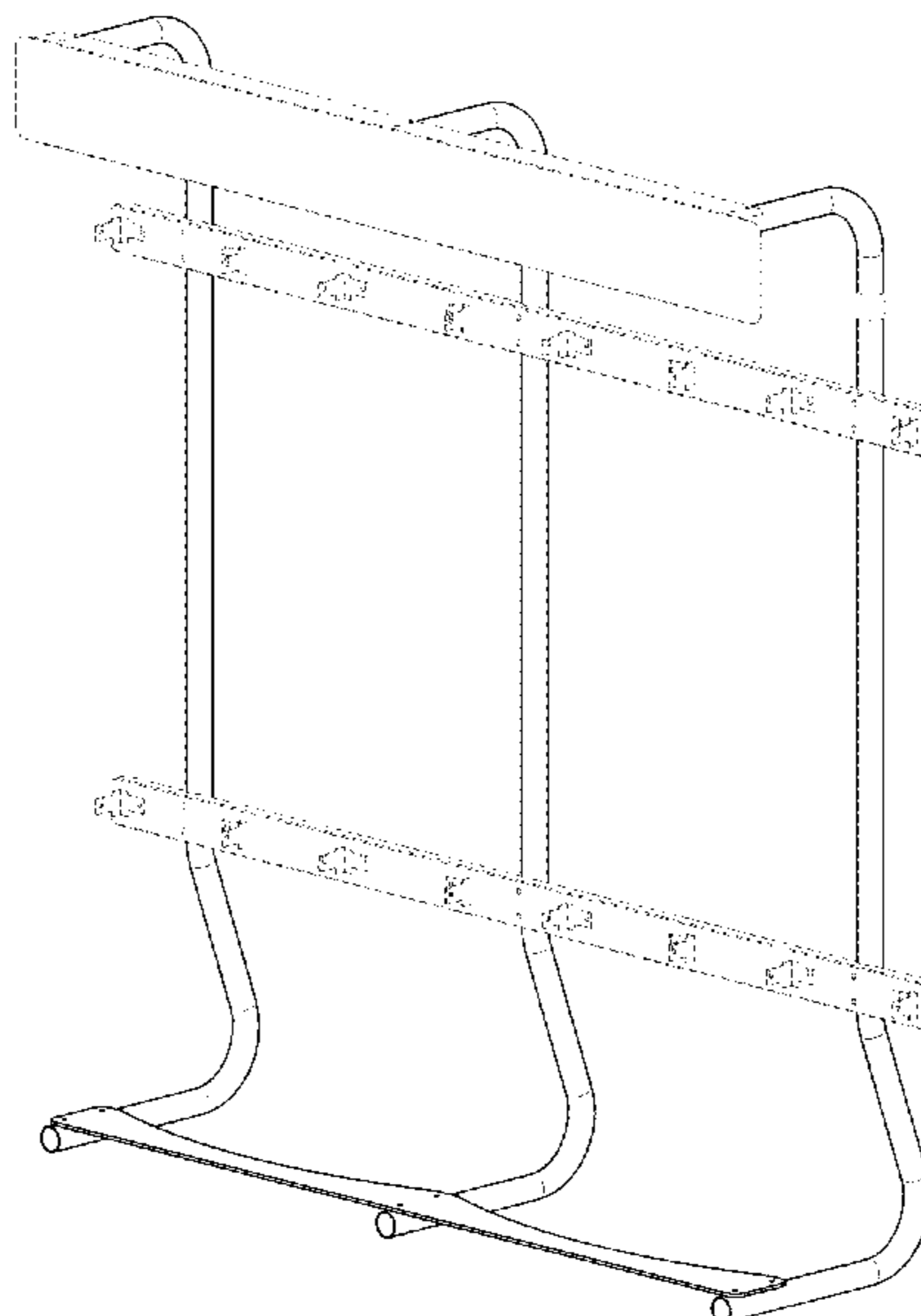
(57) **CLAIM**

The ornamental design for a self-standing merchandise frame, as shown and described.

DESCRIPTION

FIG. 1 is a top perspective view showing a self-standing merchandise frame;
FIG. 2 is a front view thereof;
FIG. 3 is a back view thereof;
FIG. 4 is a right side view thereof;
FIG. 5 is a left side view thereof;
FIG. 6 is a top side view thereof; and,
FIG. 7 is a bottom side view thereof.
The broken lines in the Figures are for illustrative purposes only and form no part of the claimed design.

1 Claim, 7 Drawing Sheets



(56)

References Cited

U.S. PATENT DOCUMENTS

4,960,214 A * 10/1990 Sayers A47F 5/01
211/133.2
5,031,783 A * 7/1991 Goudreau A47F 5/083
211/106
5,439,122 A * 8/1995 Ramsay A47F 5/0081
211/128.1
5,582,302 A * 12/1996 Kozak A47F 5/0031
211/181.1
D402,821 S * 12/1998 Kozak D6/673
D422,163 S * 4/2000 Pendergrast D6/672
6,089,387 A * 7/2000 Varfolomeeva A47B 57/06
211/106
D500,416 S * 1/2005 Sparkowski D6/672
D559,577 S * 1/2008 Quinn D6/300
D595,977 S * 7/2009 Stebbens D6/681.2
7,571,821 B2 * 8/2009 Noble Colin A47F 5/12
211/90.03
D612,169 S * 3/2010 Chang D6/656.13
D626,355 S * 11/2010 Liang D34/5
D640,485 S * 6/2011 Dugger D6/681.1
D726,421 S * 4/2015 Rue D6/300
D729,553 S * 5/2015 Trinh D6/681
D734,079 S * 7/2015 Roth D6/656.13
D785,381 S * 5/2017 Johnson D6/681
10,021,996 B2 * 7/2018 Cantwell A47F 7/163
10,058,172 B2 * 8/2018 Staib A47F 5/13
D838,127 S * 1/2019 Theodoroff D6/672
D841,374 S * 2/2019 Felsenthal D6/681
D862,946 S * 10/2019 Hyland D6/672
2002/0027115 A1 * 3/2002 Gay A47B 57/045
211/187
2002/0033373 A1 * 3/2002 Robertson A47F 1/12
211/59.2

* cited by examiner

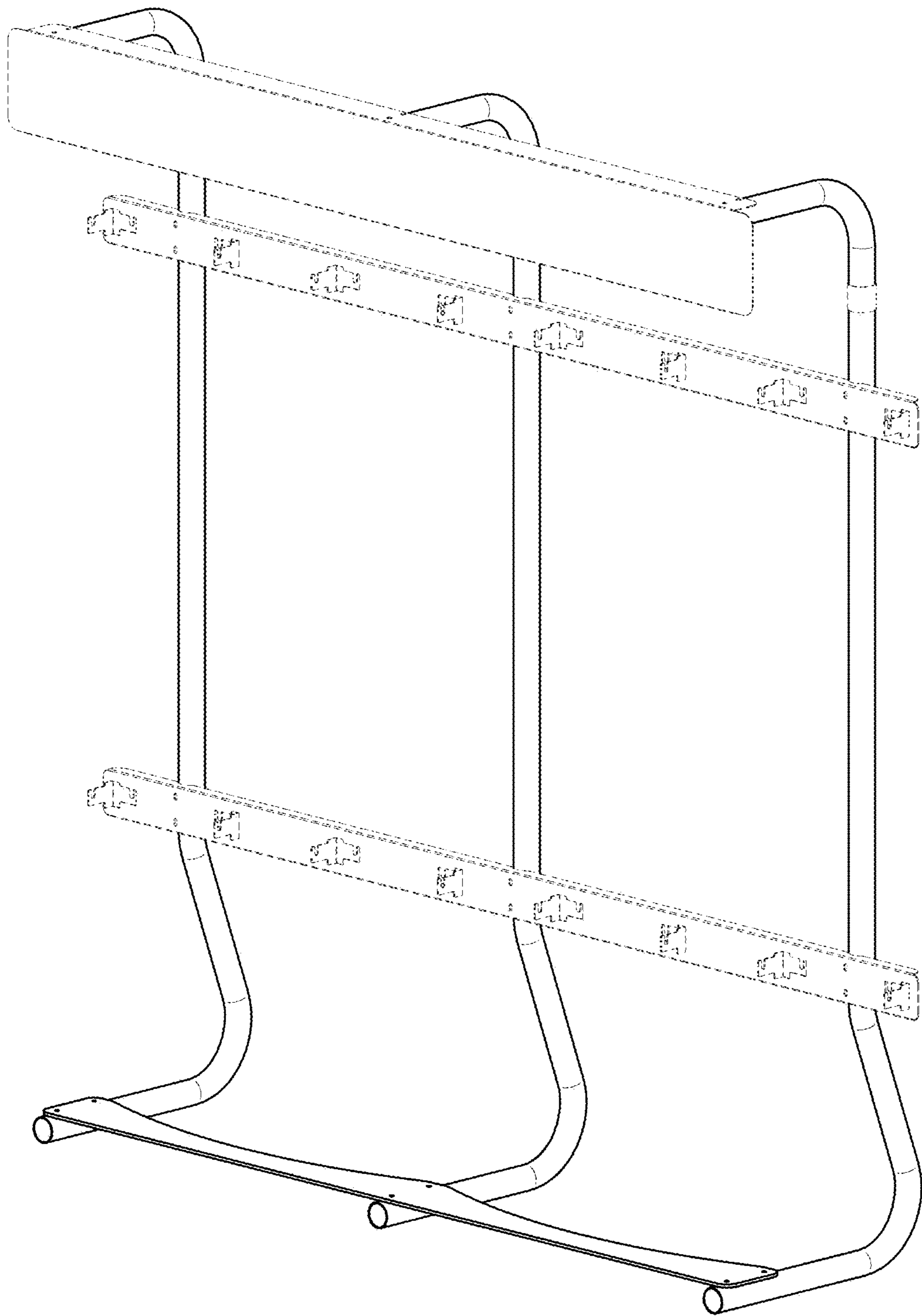


FIG. 1

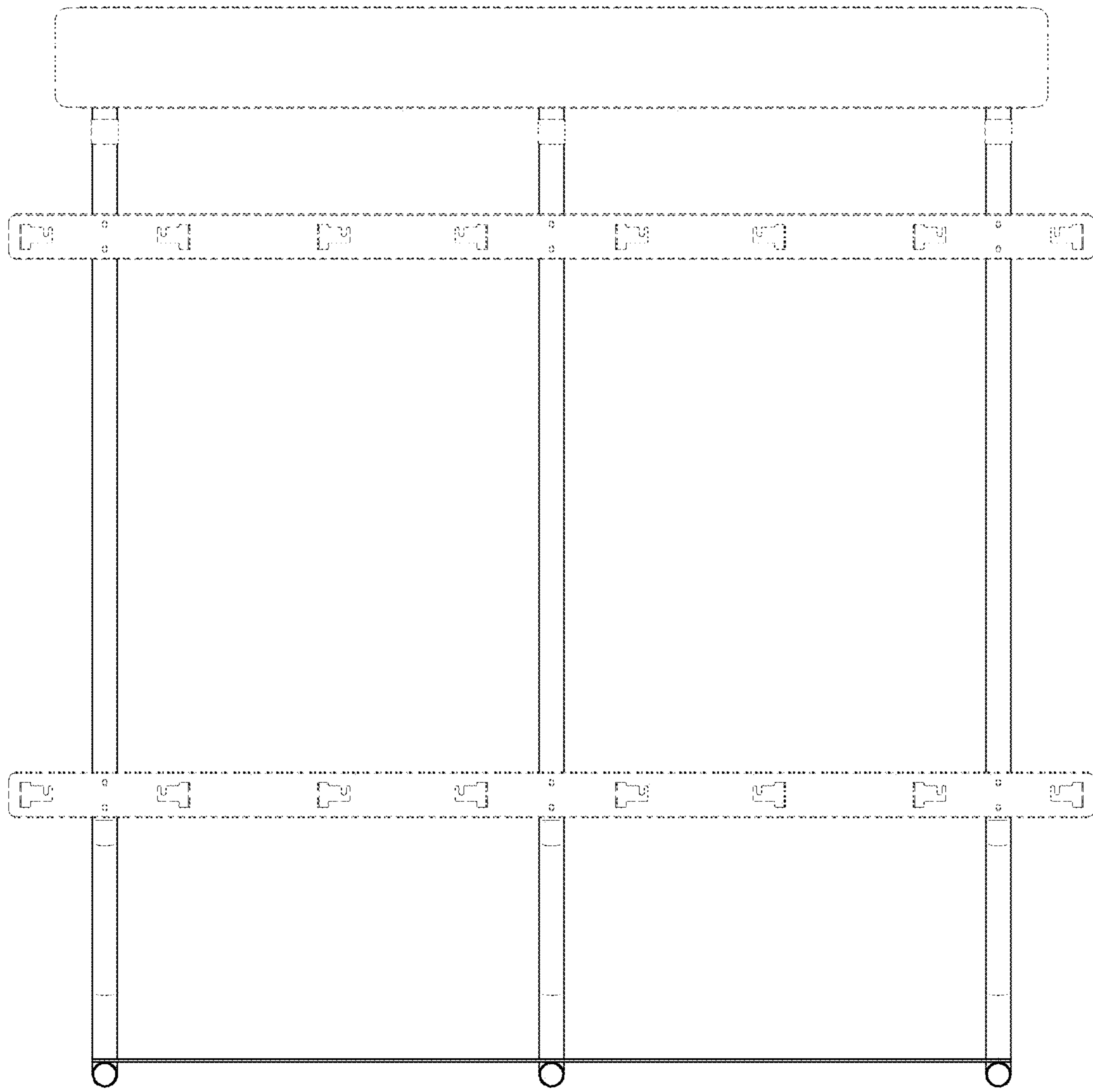


FIG. 2

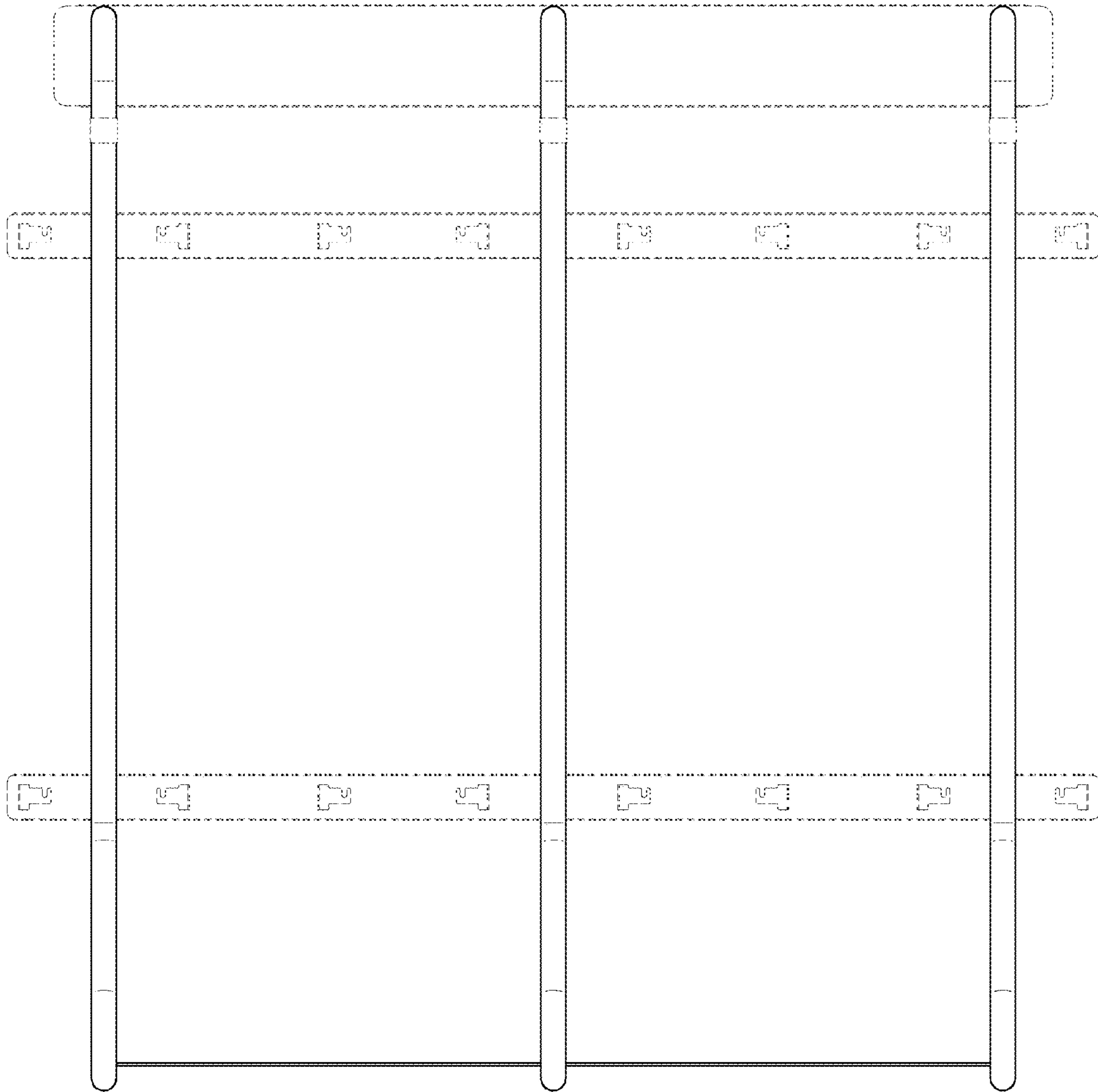


FIG. 3

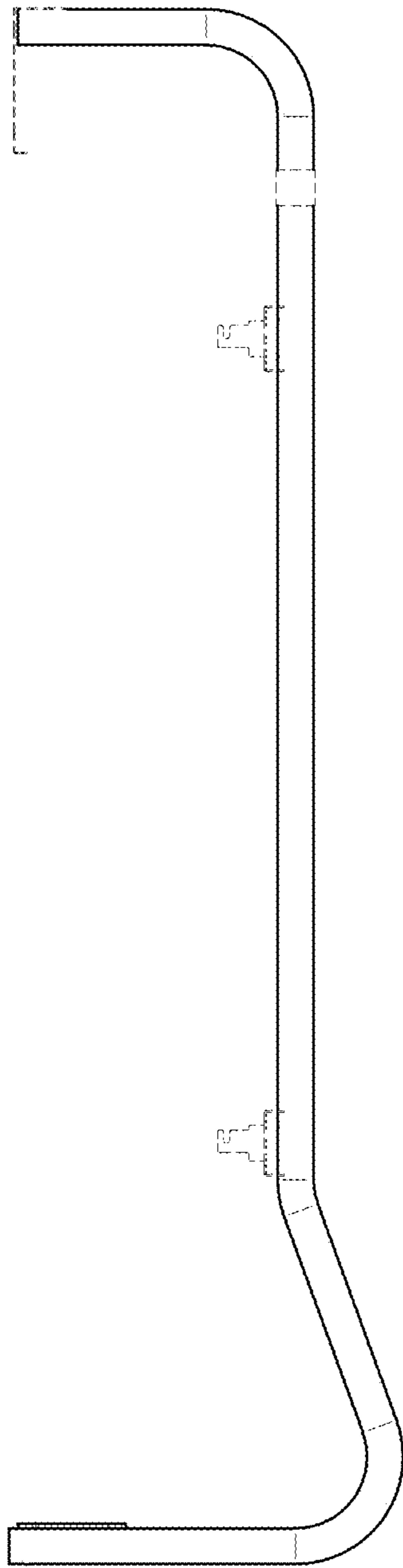


FIG. 4

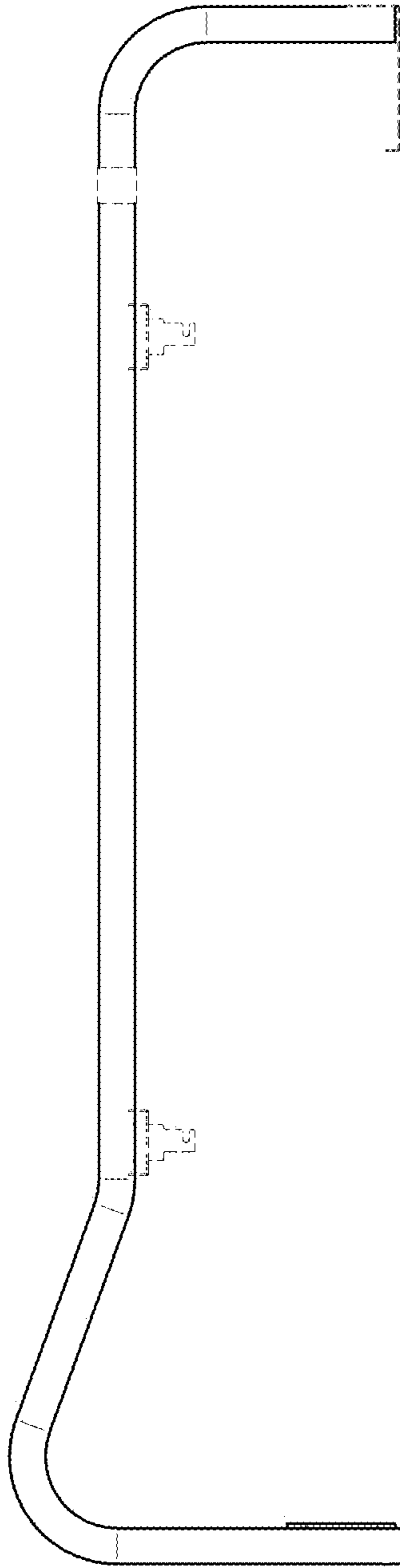


FIG. 5

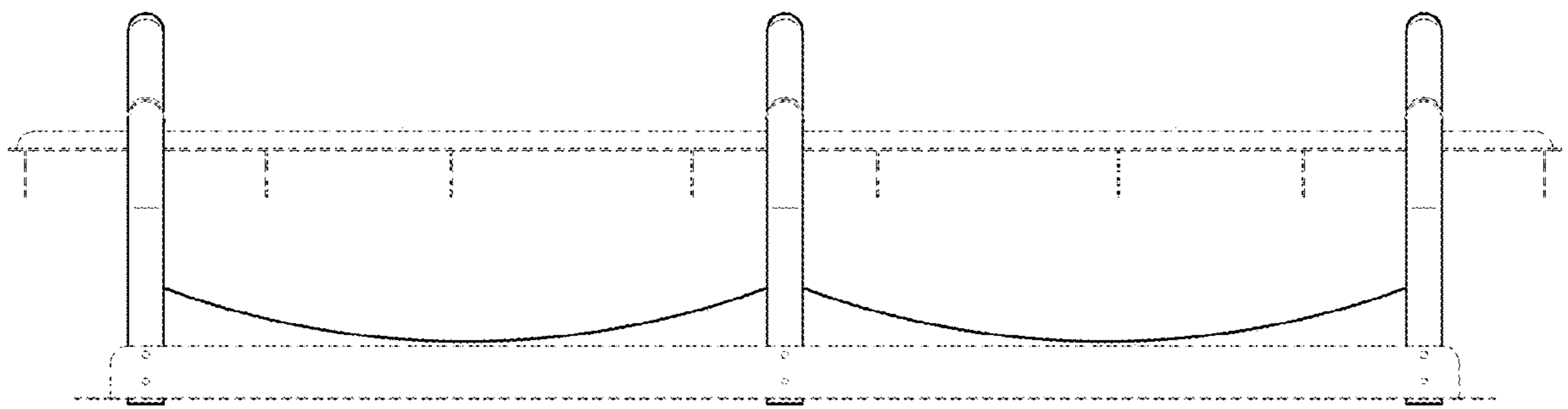


FIG. 6

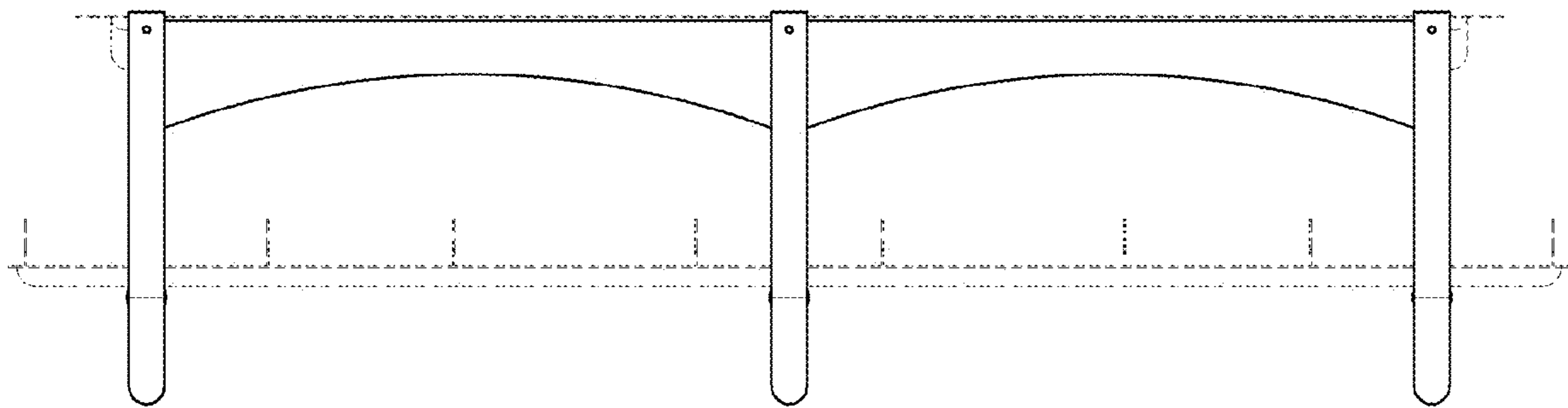


FIG. 7