



US00D882303S

(12) **United States Design Patent**
Reifert

(10) **Patent No.:** **US D882,303 S**

(45) **Date of Patent:** **** Apr. 28, 2020**

(54) **SELF-STANDING MERCHANDISE FRAME**

(71) Applicant: **Kyle Reifert**, Muscatine, IA (US)

(72) Inventor: **Kyle Reifert**, Muscatine, IA (US)

(**) Term: **15 Years**

(21) Appl. No.: **29/705,036**

(22) Filed: **Sep. 9, 2019**

Related U.S. Application Data

(63) Continuation of application No. 16/397,734, filed on Apr. 29, 2019.

(51) **LOC (12) Cl.** **20-02**

(52) **U.S. Cl.**
USPC **D6/672**

(58) **Field of Classification Search**
USPC D6/300, 672, 673, 681, 681.1, 681.2, D6/681.3, 682, 682.2, 682.4, 682.5, D6/682.6, 700, 701; D32/58
CPC .. A47F 5/01; A47F 5/0031; A47F 5/13; A47F 5/10; A47F 5/08; A47F 5/0081; A47F 1/00
See application file for complete search history.

(56) **References Cited**

U.S. PATENT DOCUMENTS

- 2,495,109 A * 1/1950 Kramer A47F 5/13
211/85.3
- D199,342 S * 10/1964 Durham et al. D6/672
- 3,172,539 A * 3/1965 Rulf A47F 5/0876
211/59.1
- 3,532,224 A * 10/1970 Grubb A47F 5/13
211/206
- 3,693,808 A * 9/1972 Rauch A47F 5/13
211/195
- 4,037,851 A * 7/1977 Romero A47F 5/13
280/79.3

- 4,068,855 A * 1/1978 Hackett A47F 5/13
211/189
- 4,106,736 A * 8/1978 Becker A47F 5/01
211/103
- 4,126,288 A * 11/1978 De Sisto A47F 5/13
211/182
- D253,323 S * 11/1979 Blatzer D6/310
- D267,683 S * 1/1983 Kates D6/682.6
- 4,403,554 A * 9/1983 Valentine A47F 5/10
108/180
- D279,057 S * 6/1985 Bolduc D6/673
- D291,164 S * 8/1987 Luyk D6/681.2
- D296,160 S * 6/1988 Rhodes D6/300
- D300,485 S * 4/1989 Scholl D6/681.1
- 4,819,899 A * 4/1989 Weil A47F 5/01
211/133.2
- 4,932,540 A * 6/1990 Pfeifer A47F 5/04
211/193
- D309,388 S * 7/1990 Yau Kee D6/300

(Continued)

Primary Examiner — Eric L Goodman

Assistant Examiner — Steven J Czyz

(74) *Attorney, Agent, or Firm* — Hamilton IP Law, PC;
Jay R. Hamilton; Charles A. Damschen

(57) **CLAIM**

The ornamental design for a self-standing merchandise frame, as shown and described.

DESCRIPTION

FIG. 1 is a perspective view showing a self-standing merchandise frame;

FIG. 2 is a front view thereof;

FIG. 3 is a back view thereof;

FIG. 4 is a right side view thereof;

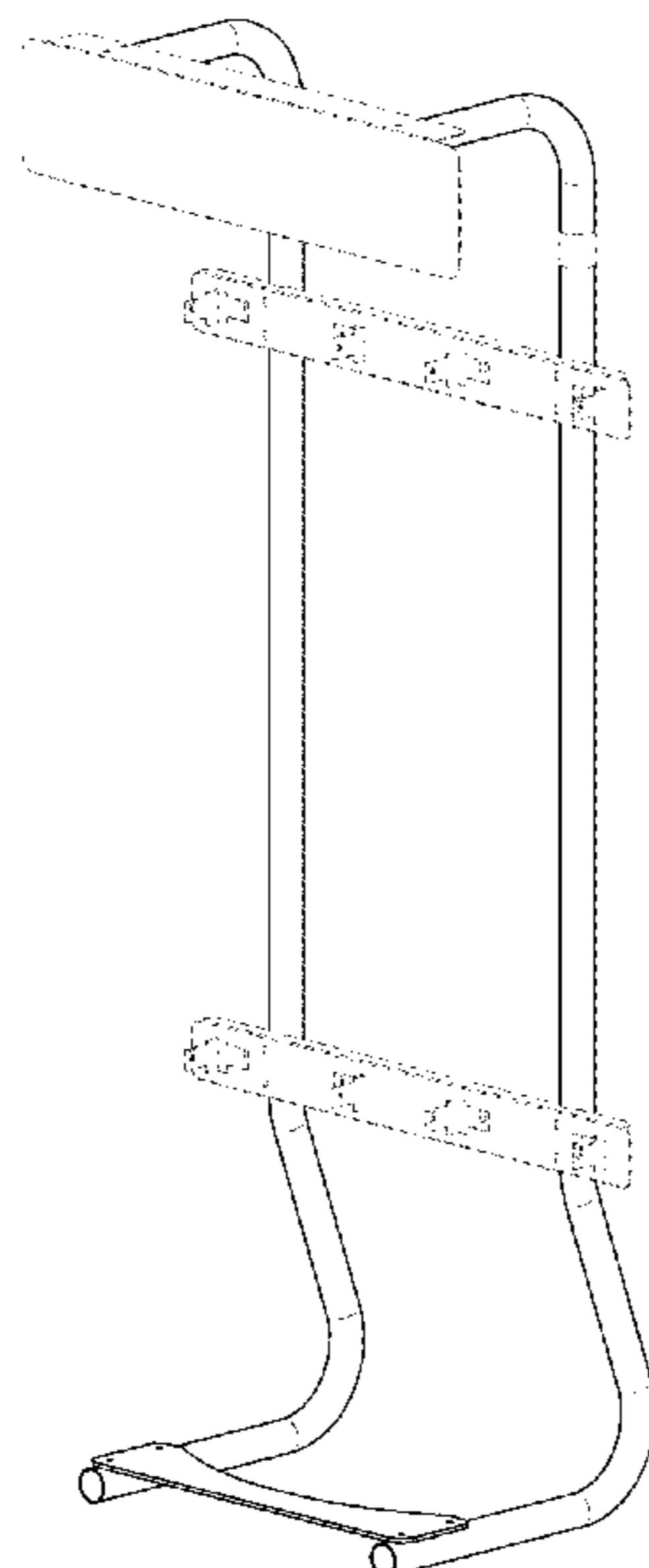
FIG. 5 is a left side view thereof;

FIG. 6 is a top view thereof; and,

FIG. 7 is a bottom view thereof.

The broken lines depict portions of the article that form no part of the claimed design.

1 Claim, 7 Drawing Sheets



(56)

References Cited

U.S. PATENT DOCUMENTS

4,960,214 A *	10/1990	Sayers	A47F 5/01	7,571,821 B2 *	8/2009	Noble Colin	A47F 5/12
				211/133.2					211/90.03
5,031,783 A *	7/1991	Goudreau	A47F 5/083	D612,169 S *	3/2010	Chang	D6/656.13
				211/106	D626,355 S *	11/2010	Liang	D34/5
5,439,122 A *	8/1995	Ramsay	A47F 5/0081	D640,485 S *	6/2011	Dugger	D6/681.1
				211/128.1	D726,421 S *	4/2015	Rue	D6/300
5,582,302 A *	12/1996	Kozak	A47F 5/0031	D729,553 S *	5/2015	Trinh	D6/681
				211/181.1	D734,079 S *	7/2015	Roth	D6/656.13
D402,821 S *	12/1998	Kozak	D6/673	D785,381 S *	5/2017	Johnson	D6/681
D422,163 S *	4/2000	Pendergrast	D6/672	10,021,996 B2 *	7/2018	Cantwell	A47F 7/163
6,089,387 A *	7/2000	Varfolomeeva	A47B 57/06	10,058,172 B2 *	8/2018	Staib	A47F 5/13
				211/106	D838,127 S *	1/2019	Theodoroff	D6/672
D500,416 S *	1/2005	Sparkowski	D6/672	D841,374 S *	2/2019	Felsenthal	D6/681
D559,577 S *	1/2008	Quinn	D6/300	D862,946 S *	10/2019	Hyland	D6/672
D595,977 S *	7/2009	Stebbens	D6/681.2	2002/0027115 A1 *	3/2002	Gay	A47B 57/045
									211/187
					2002/0033373 A1 *	3/2002	Robertson	A47F 1/12
									211/59.2

* cited by examiner

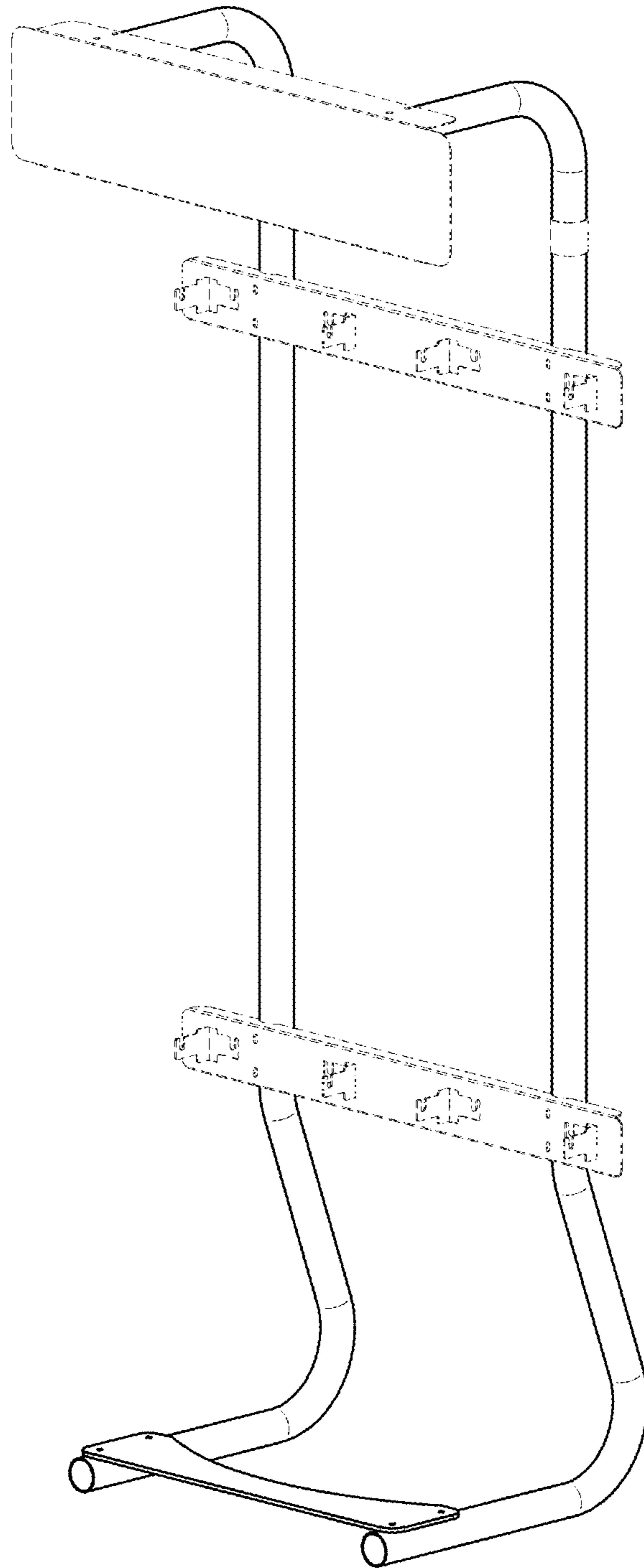


FIG. 1

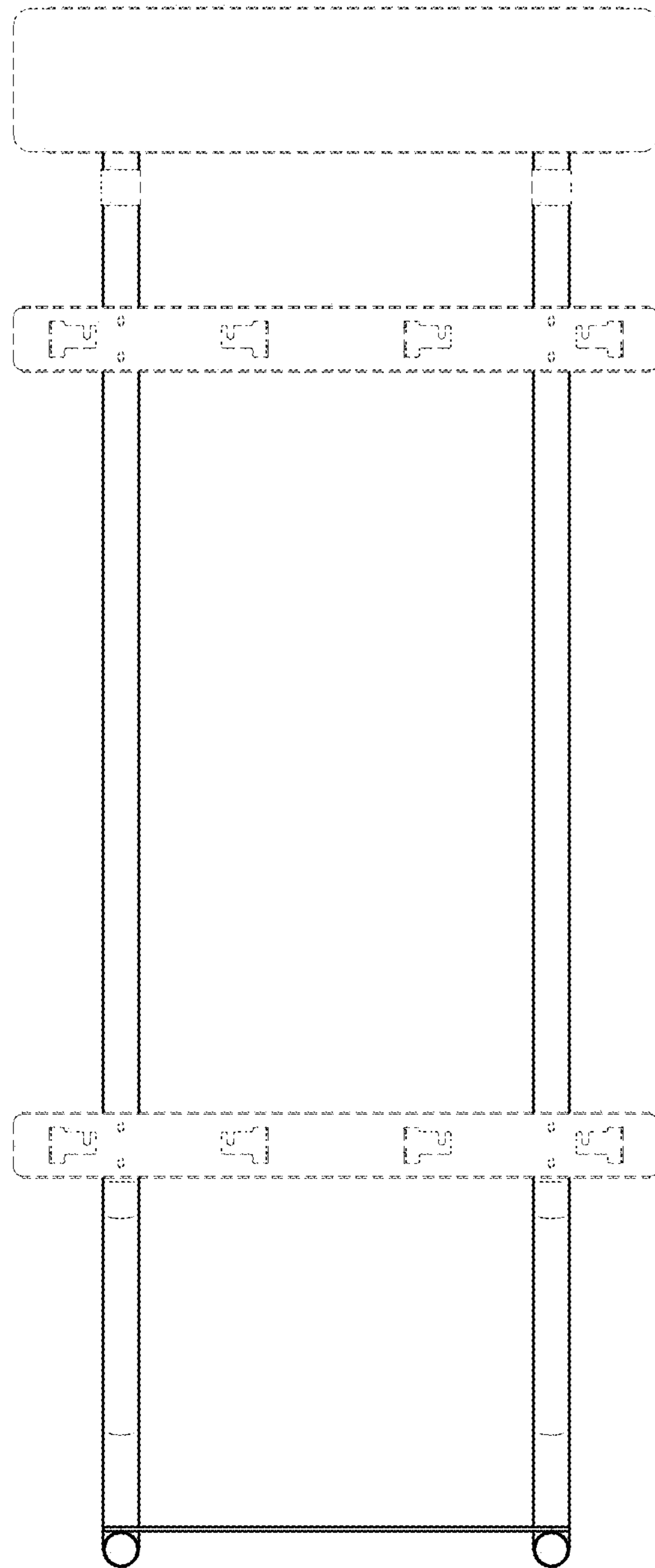


FIG. 2

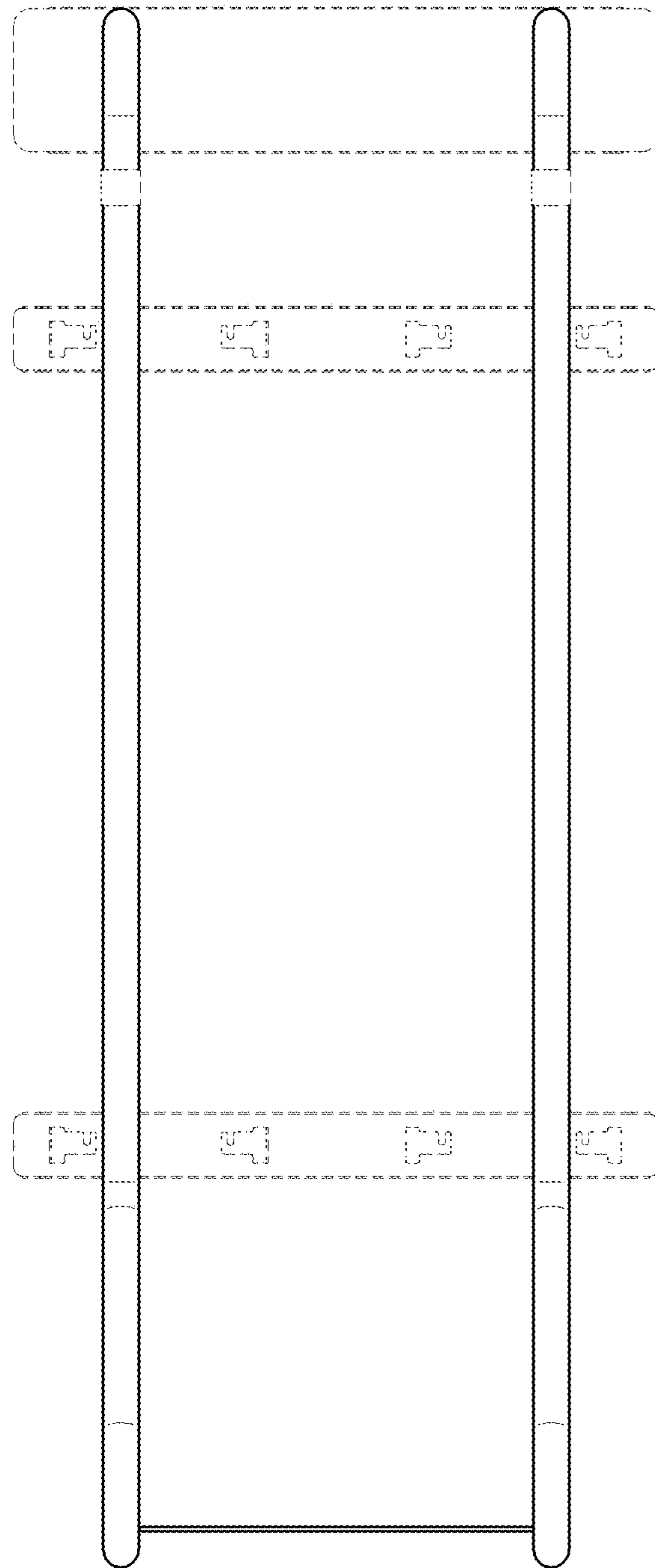


FIG. 3

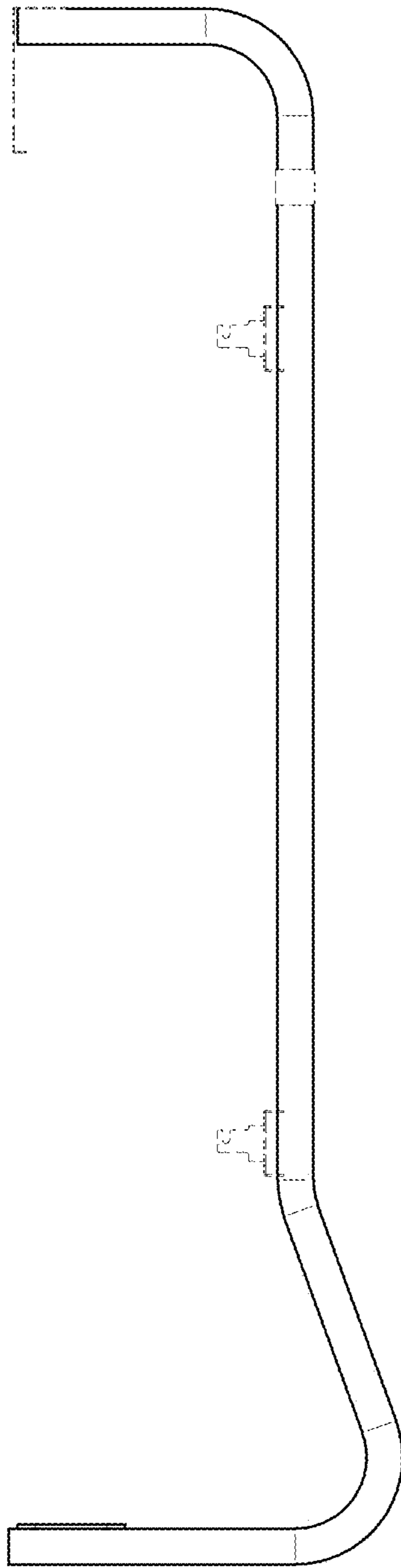


FIG. 4

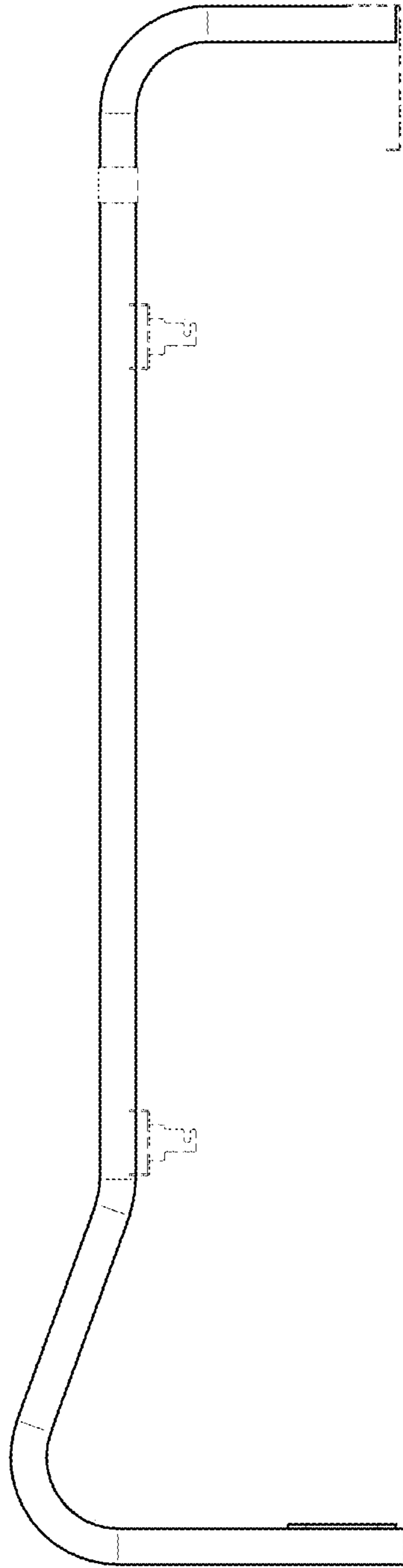


FIG. 5

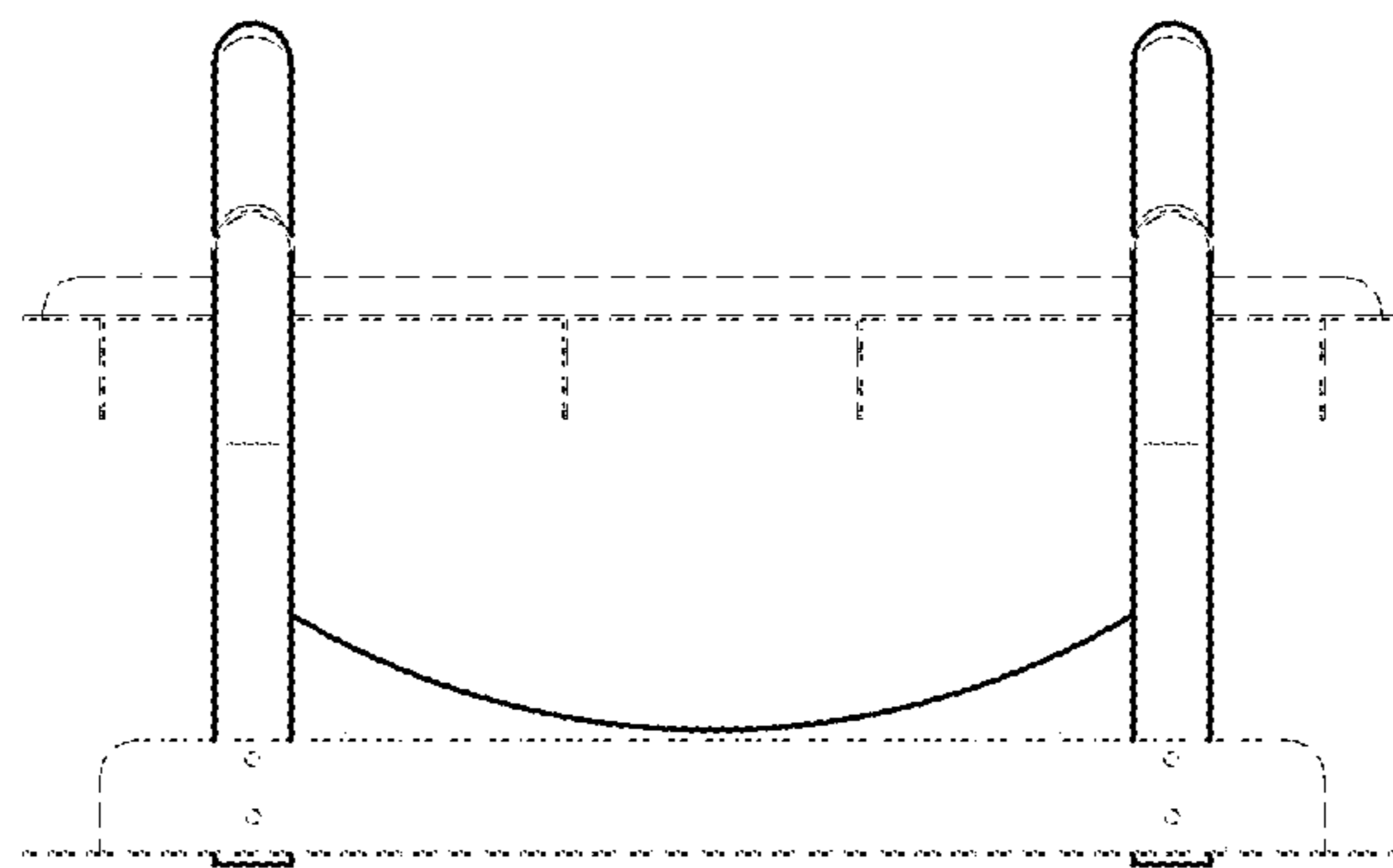


FIG. 6

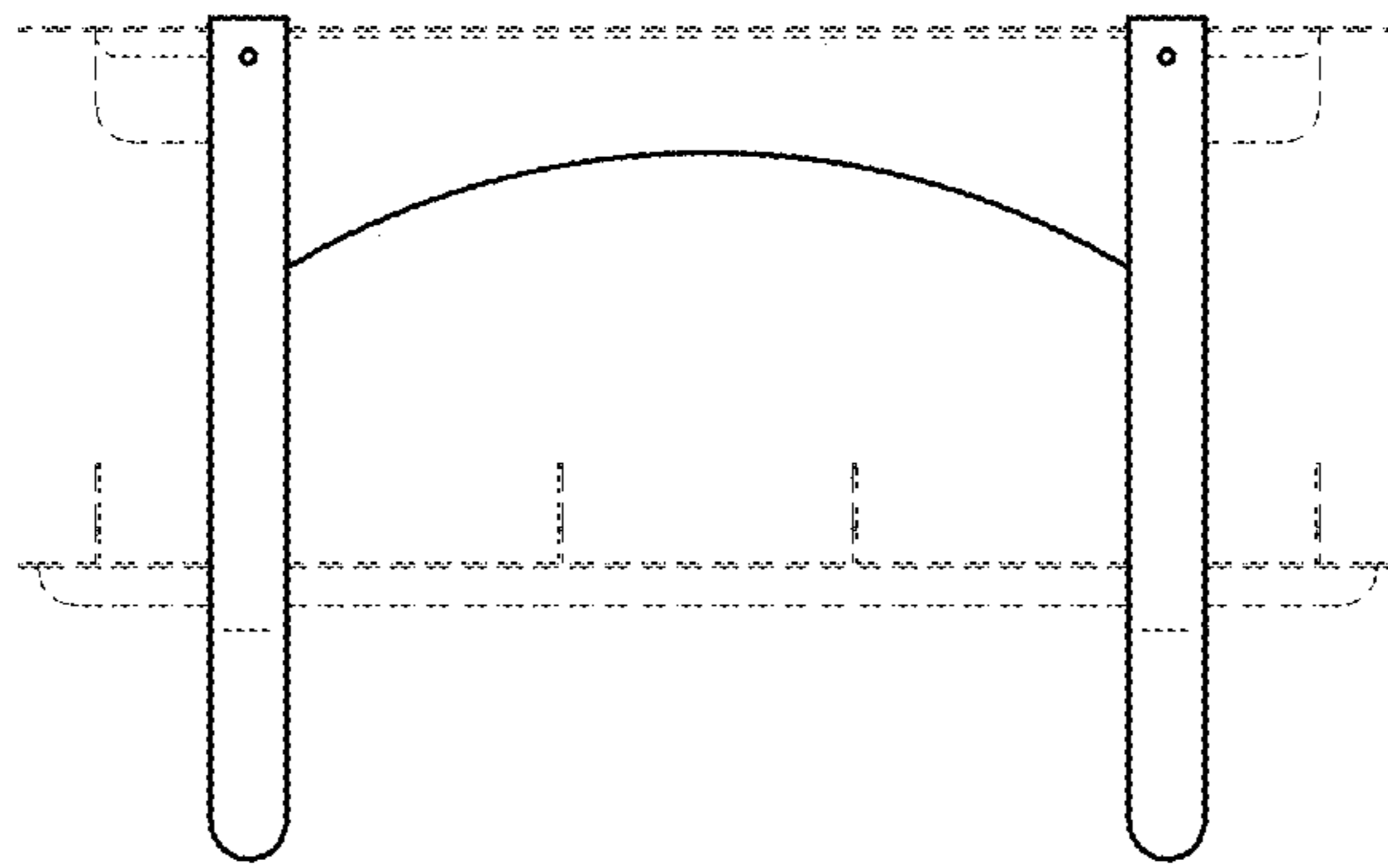


FIG. 7