



US00D882302S

(12) **United States Design Patent**
Boettner et al.

(10) **Patent No.:** **US D882,302 S**
(45) **Date of Patent:** **** Apr. 28, 2020**

- (54) **COUNTERTOP DISPLAY ASSEMBLY**
- (71) Applicant: **Illinois Tool Works Inc.**, Glenview, IL (US)
- (72) Inventors: **Sary Boettner**, Lithia, FL (US); **David Bonick**, St. Charles, IL (US)
- (73) Assignee: **Illinois Tool Works Inc.**, Glenview, IL (US)
- (**) Term: **15 Years**
- (21) Appl. No.: **29/692,270**
- (22) Filed: **May 23, 2019**

- D292,776 S * 11/1987 Cugley D9/415
- D292,879 S * 11/1987 Smith D9/415
- D351,516 S * 10/1994 Yeh D6/672
- D402,827 S * 12/1998 Ennis D6/682
- D412,109 S * 7/1999 Hsi-Chang D9/415
- 5,964,350 A * 10/1999 LaMarche B65D 21/0202
206/470
- 6,053,321 A * 4/2000 Kayser B65D 43/162
206/470
- D426,723 S * 6/2000 Waugh D2/892
- D430,016 S * 8/2000 Pirro D9/415
- D438,460 S * 3/2001 Hammond D9/415
- D458,125 S * 6/2002 Tachikawa D9/415
- D462,263 S * 9/2002 Tachikawa D9/415
- D485,491 S * 1/2004 Kyne D9/415
- D485,707 S * 1/2004 Alarcon D6/310
- D494,465 S * 8/2004 Kyne D9/415
- D572,043 S * 7/2008 Suzuki D6/682
- D576,872 S * 9/2008 Kiser D9/418
- D579,235 S * 10/2008 Dempsey D6/678.3

Related U.S. Application Data

- (62) Division of application No. 29/635,175, filed on Jan. 29, 2018, now Pat. No. Des. 855,359.
- (51) **LOC (12) Cl.** **20-02**
- (52) **U.S. Cl.**
USPC **D6/672**
- (58) **Field of Classification Search**
USPC D6/672, 673, 675, 678; D9/414, 415,
D9/418, 424, 426, 432, 457
CPC A47F 3/00; A47F 5/00; A47F 5/11; A47F
7/00; B65D 5/52; G09F 5/00; G09F 5/02
See application file for complete search history.

References Cited

U.S. PATENT DOCUMENTS

- D55,098 S * 5/1920 Stetson et al. D6/672
- D106,833 S * 11/1937 Lehman et al. D6/672
- D191,558 S * 10/1961 Sands et al. D6/672
- D201,163 S * 5/1965 Kossoff et al. D6/672
- D201,533 S * 6/1965 Huey et al. D6/682.1
- D250,092 S * 10/1978 Schoenfield D9/414
- 4,570,818 A * 2/1986 Borst B65D 25/36
206/459.5
- D291,064 S * 7/1987 Haber D9/415

(Continued)

Primary Examiner — Steven J Czyz

(74) *Attorney, Agent, or Firm* — Christopher R. Carroll;
The Small Patent Law Group LLC

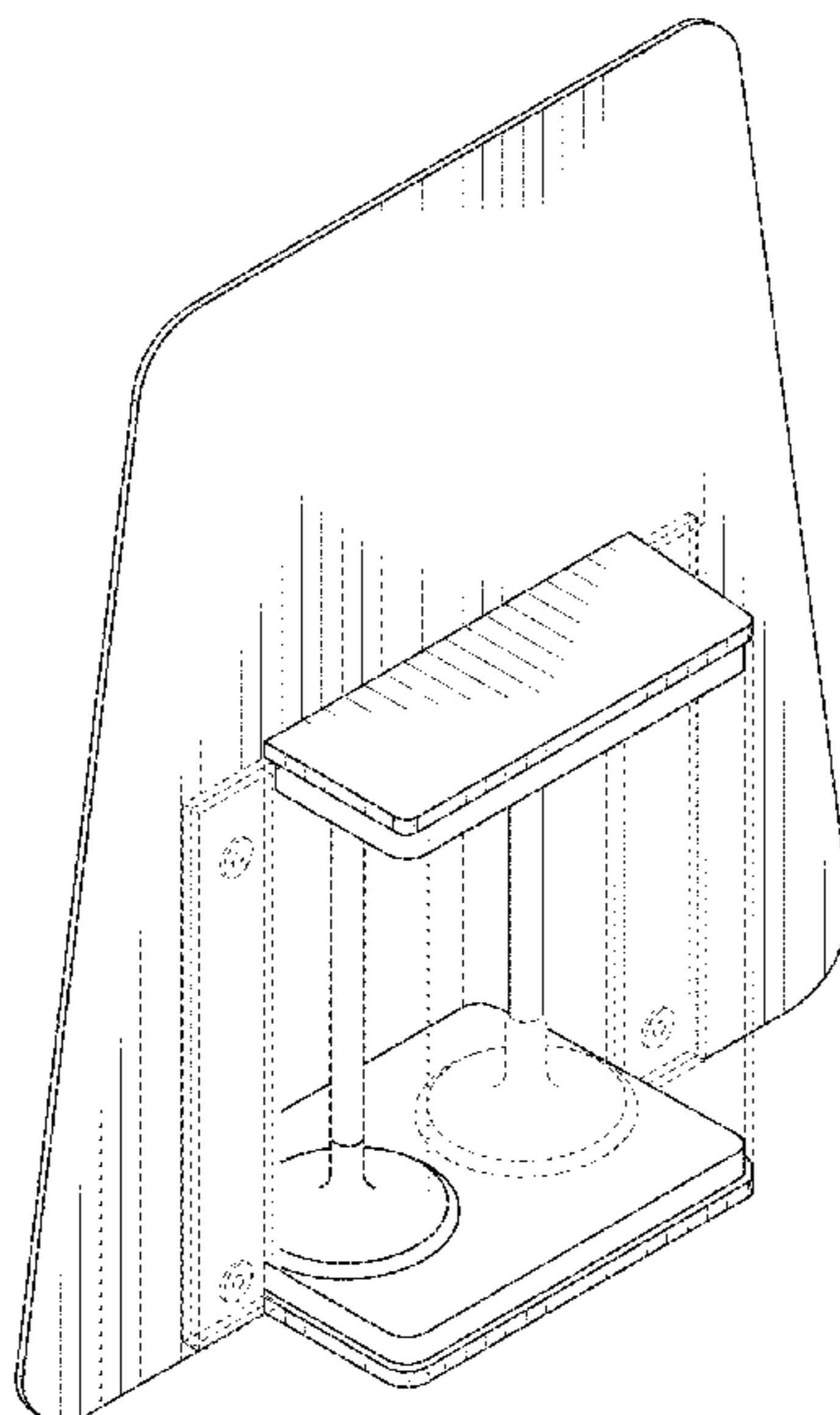
(57) **CLAIM**

The ornamental design for a countertop display assembly, as shown and described.

DESCRIPTION

FIG. 1 illustrates a perspective view of a countertop display assembly;
 FIG. 2 illustrates a front view thereof;
 FIG. 3 illustrates a rear view thereof;
 FIG. 4 illustrates a right side view thereof;
 FIG. 5 illustrates a left side view thereof; and,
 FIG. 6 illustrates a top view thereof.
 The broken lines depict portions of the article that form no part of the claimed design.

1 Claim, 5 Drawing Sheets



(56)

References Cited

U.S. PATENT DOCUMENTS

D579,236	S	*	10/2008	Dempsey	D6/672
D589,723	S	*	4/2009	Zealer	D6/683
D593,853	S	*	6/2009	Sorrentino	D9/415
D614,490	S	*	4/2010	Ouimette	D20/22
D615,401	S	*	5/2010	Ouimette	D20/22
D624,402	S	*	9/2010	Hansen	D9/426
D628,061	S	*	11/2010	Nakano	D9/426
D632,955	S	*	2/2011	Smith, III	D9/415
8,056,721	B2	*	11/2011	Hession	B65D 5/52 206/45.24
D669,347	S	*	10/2012	Anderson	D9/415
D731,211	S	*	6/2015	Denby	D6/672
D777,477	S	*	1/2017	Germany	D6/672
D801,169	S	*	10/2017	Mack	D9/415
D810,560	S	*	2/2018	Yuan	D9/424
D818,820	S	*	5/2018	Yuan	D9/424
D820,674	S	*	6/2018	Yuan	D9/424
D821,865	S	*	7/2018	Shaffer	D9/418
D823,539	S	*	7/2018	Link	D28/8.1
D850,289	S	*	6/2019	McCay	D9/737
D855,359	S	*	8/2019	Boettner	D6/672
D855,478	S	*	8/2019	Vorobj	D9/756

* cited by examiner

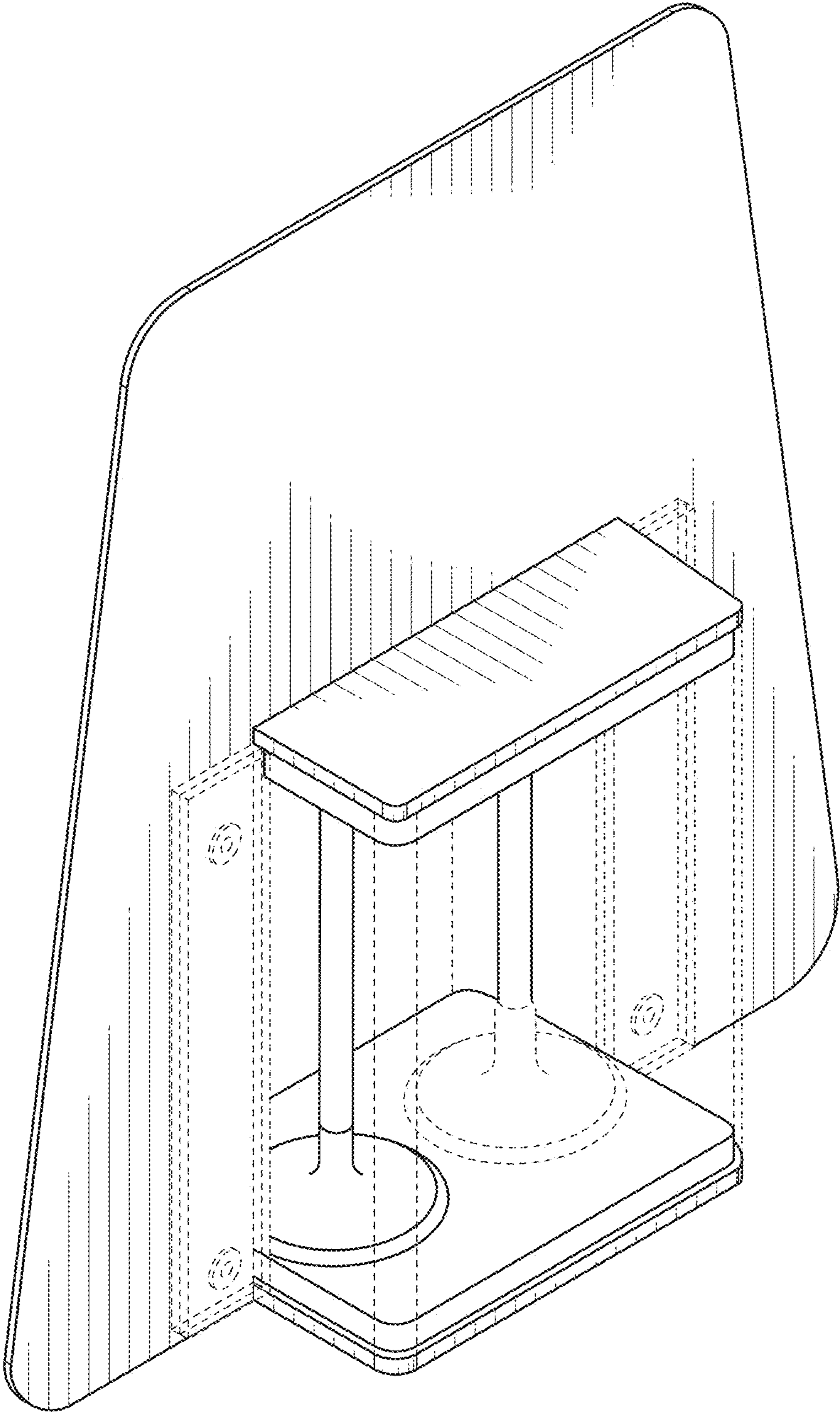


FIG. 1

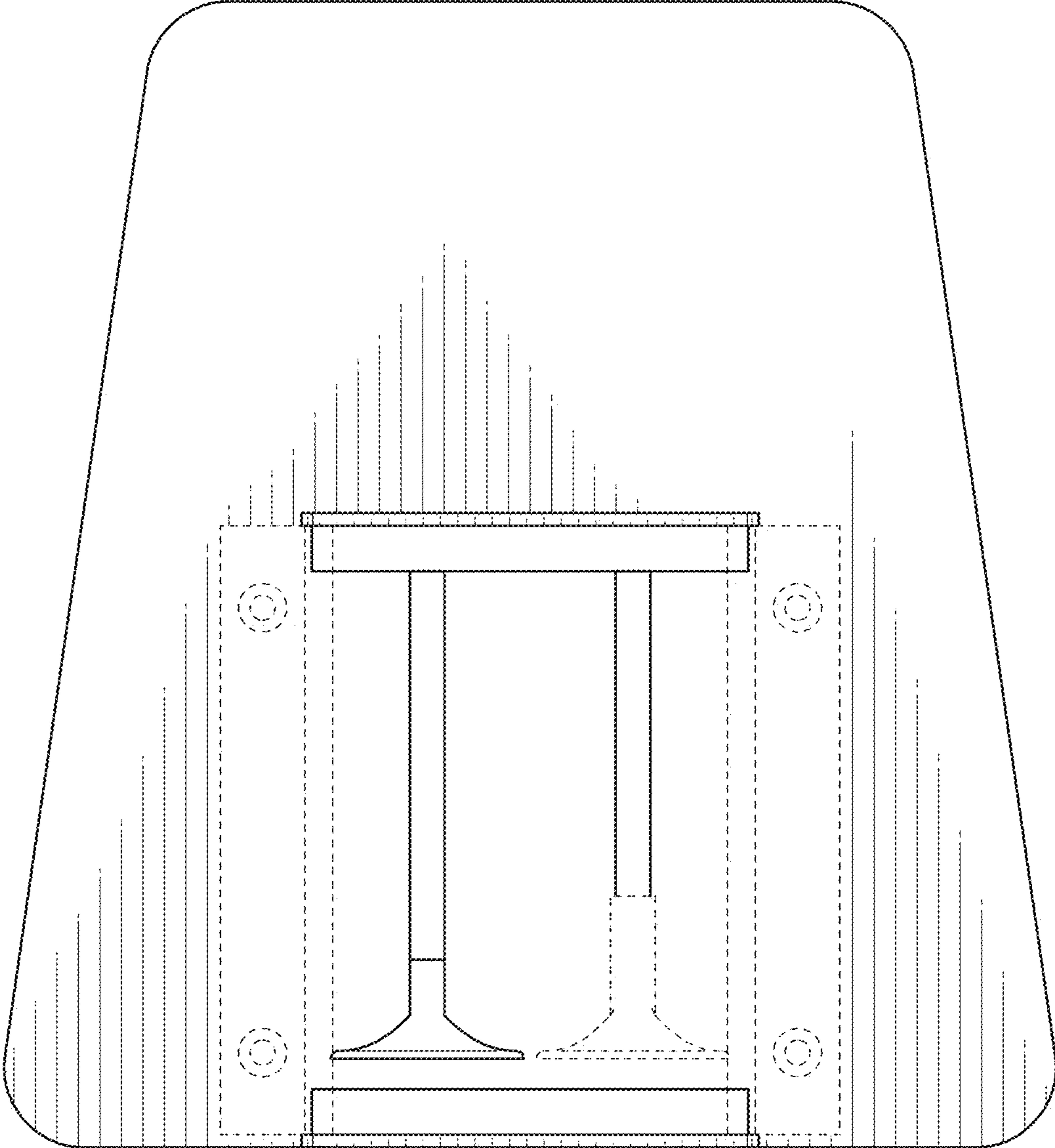


FIG. 2

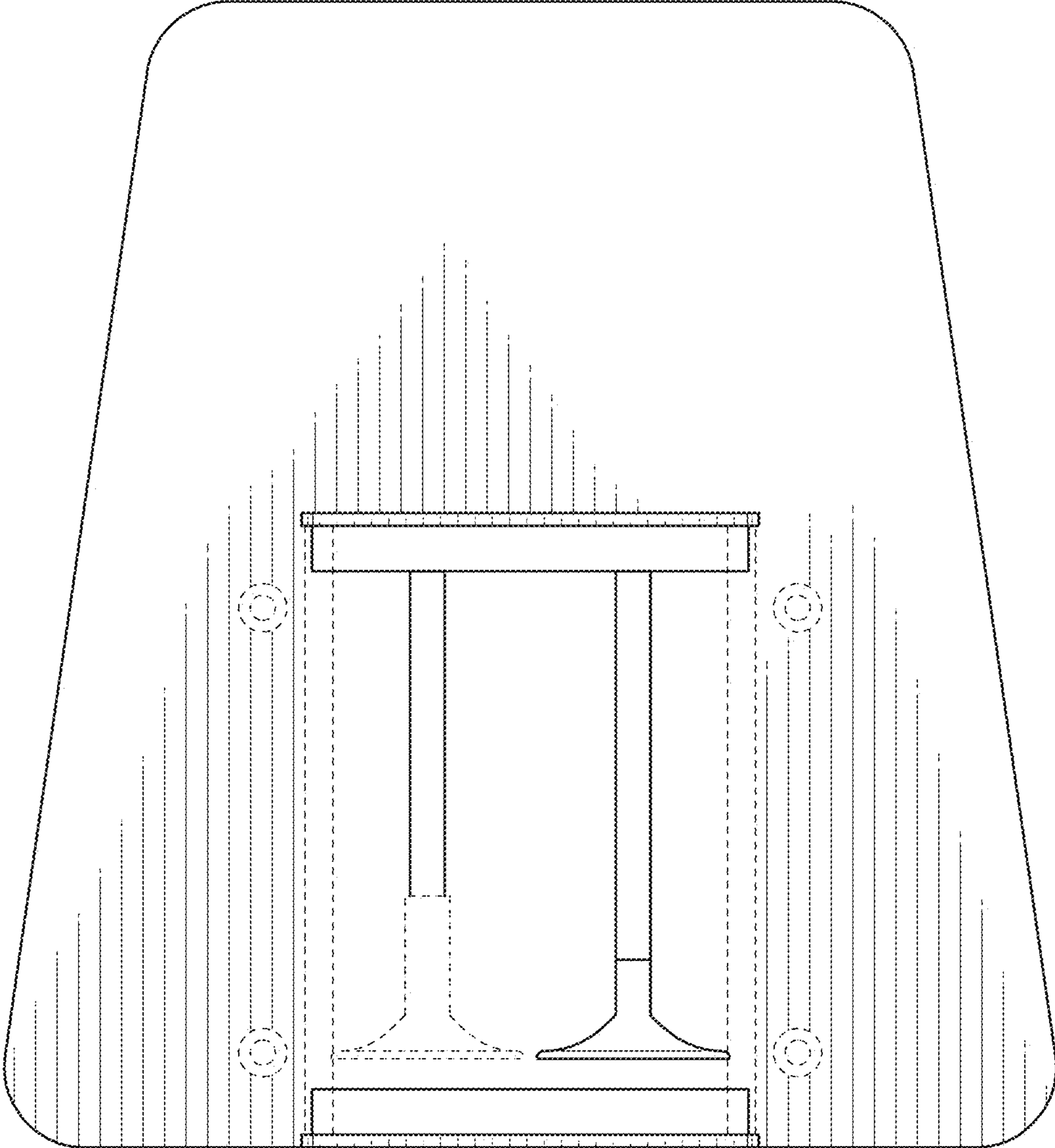


FIG. 3

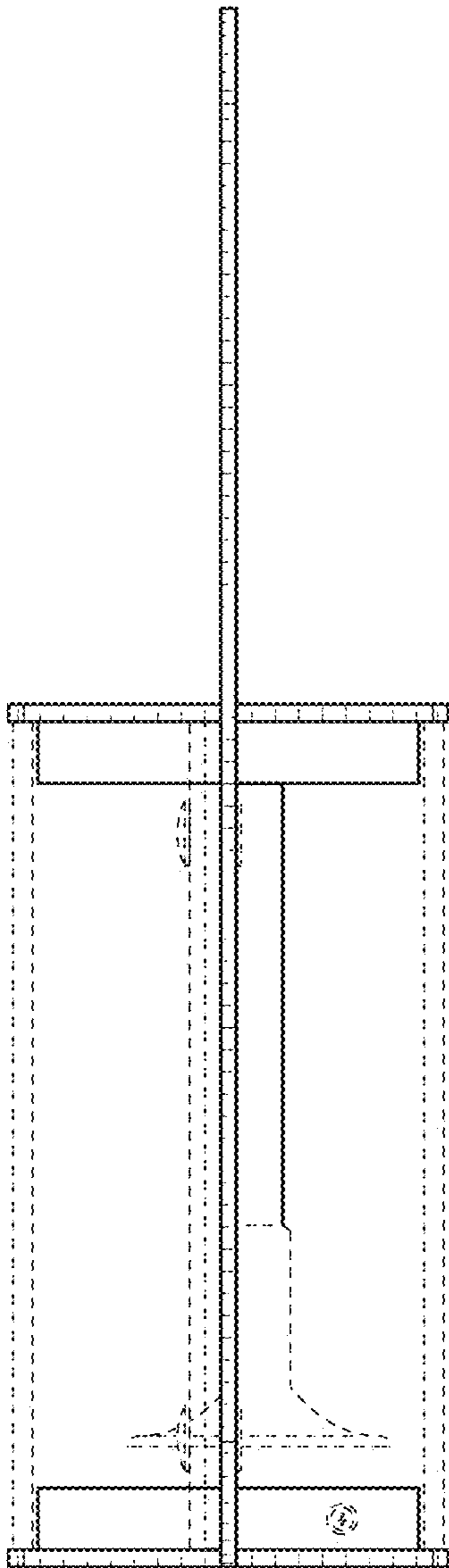


FIG. 4

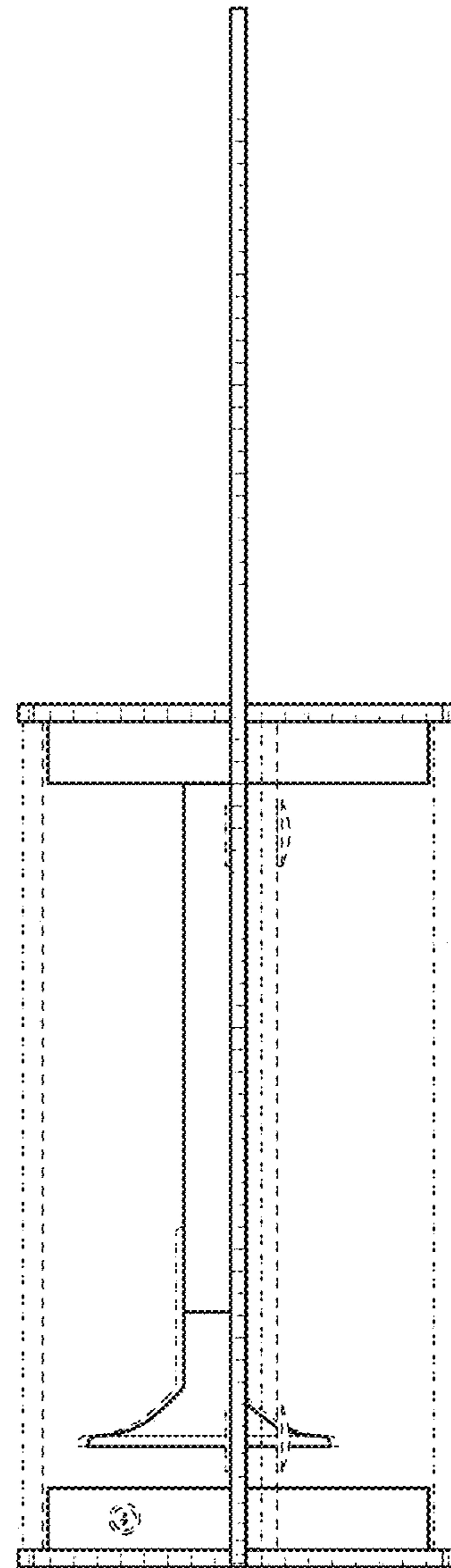


FIG. 5

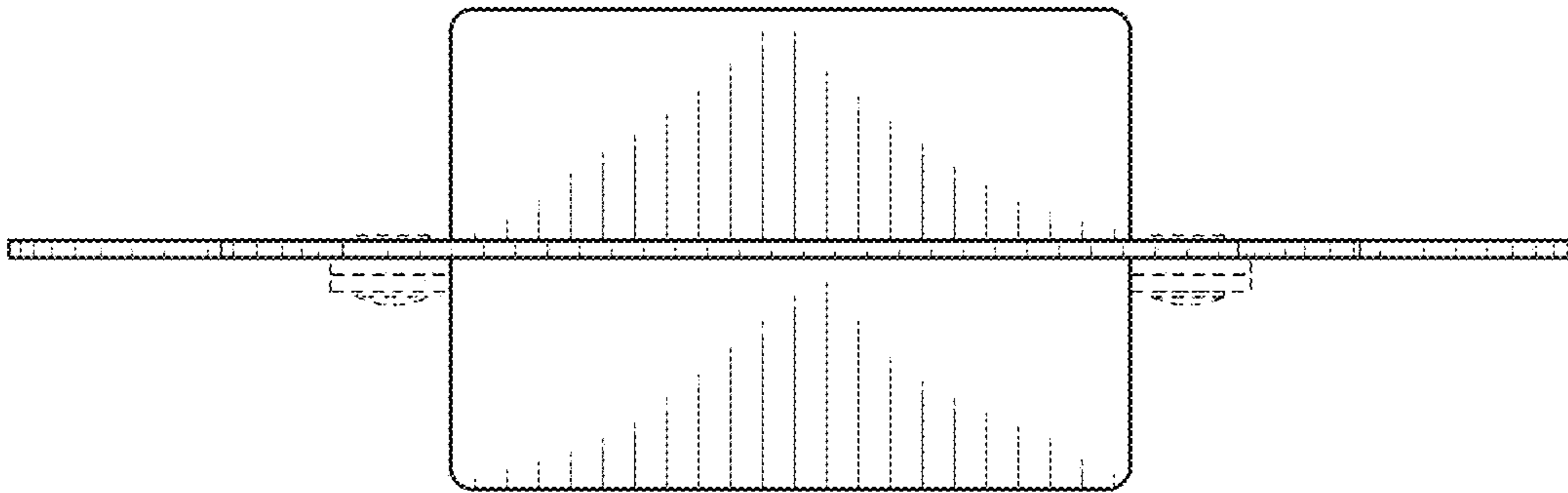


FIG. 6