



US00D882301S

(12) **United States Design Patent**  
**Ohno**

(10) **Patent No.:** **US D882,301 S**

(45) **Date of Patent:** **\*\* Apr. 28, 2020**

(54) **STANDING DESK**

(71) Applicant: **Ken Stephen Ohno**, Tokyo (JP)

(72) Inventor: **Ken Stephen Ohno**, Tokyo (JP)

(\*\*) Term: **15 Years**

(21) Appl. No.: **29/642,911**

(22) Filed: **Apr. 3, 2018**

(51) **LOC (12) Cl.** ..... **06-03**

(52) **U.S. Cl.**  
USPC ..... **D6/655.23**

(58) **Field of Classification Search**  
USPC ..... D6/641, 642, 648, 648.1, 650, 650.1,  
D6/655, 655.1, 655.14, 655.23, 656,  
D6/656.1, 656.11, 656.12, 656.13, 656.14,  
D6/656.15, 656.16, 656.17, 656.18,  
D6/656.19, 675, 686, 688.14, 688.15,  
D6/691, 691.5, 691.6, 691.7, 697  
CPC .... A47B 9/00; A47B 9/02; A47B 9/04; A47B  
9/12; A47B 2200/0035; A47B 2200/005;  
A47B 2200/0056

See application file for complete search history.

(56) **References Cited**

U.S. PATENT DOCUMENTS

D164,075 S \* 7/1951 Wallance ..... D6/691  
D175,195 S \* 7/1955 Streng ..... D6/691.8  
5,244,271 A \* 9/1993 Hackwood ..... A47B 13/021  
312/313  
D368,189 S \* 3/1996 Bro ..... D21/522

D604,963 S \* 12/2009 Potter ..... D6/686  
D617,122 S \* 6/2010 Moon ..... D6/686  
8,186,282 B1 \* 5/2012 Sinchok ..... A47B 13/021  
108/12  
D681,979 S \* 5/2013 Keen ..... D6/691  
D683,980 S \* 6/2013 Johnson ..... D6/406.3  
D732,852 S \* 6/2015 Park ..... D6/656  
D811,761 S \* 3/2018 Morrison ..... D6/352  
D846,314 S \* 4/2019 Dardashti ..... D6/653.11

\* cited by examiner

*Primary Examiner* — Mary Ann Calabrese

*Assistant Examiner* — Catherine Ho

(74) *Attorney, Agent, or Firm* — Pearne & Gordon LLP

(57) **CLAIM**

The ornamental design for a standing desk, as shown and described.

**DESCRIPTION**

FIG. 1 is a top rear perspective view of a standing desk, showing my new invention;  
FIG. 2 is a bottom front perspective view thereof;  
FIG. 3 is a front view thereof;  
FIG. 4 is a rear view thereof;  
FIG. 5 is a left side view thereof;  
FIG. 6 is right side view thereof;  
FIG. 7 is a top view thereof;  
FIG. 8 is a bottom view thereof;  
FIG. 9 is a sectional view thereof along line 9-9 of FIG. 3; and,  
FIG. 10 is a sectional view thereof along line 10-10 of FIG. 3.

**1 Claim, 9 Drawing Sheets**

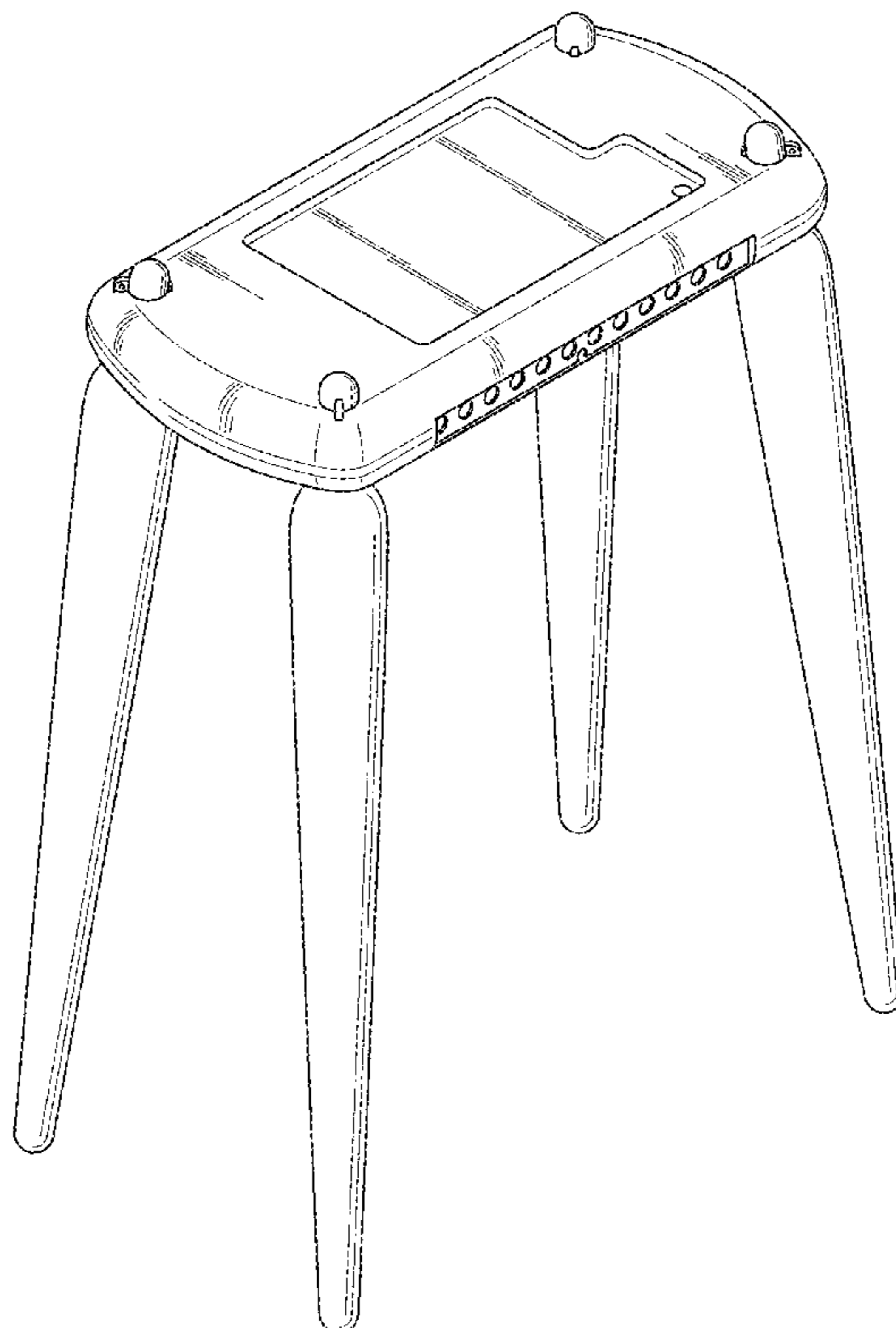
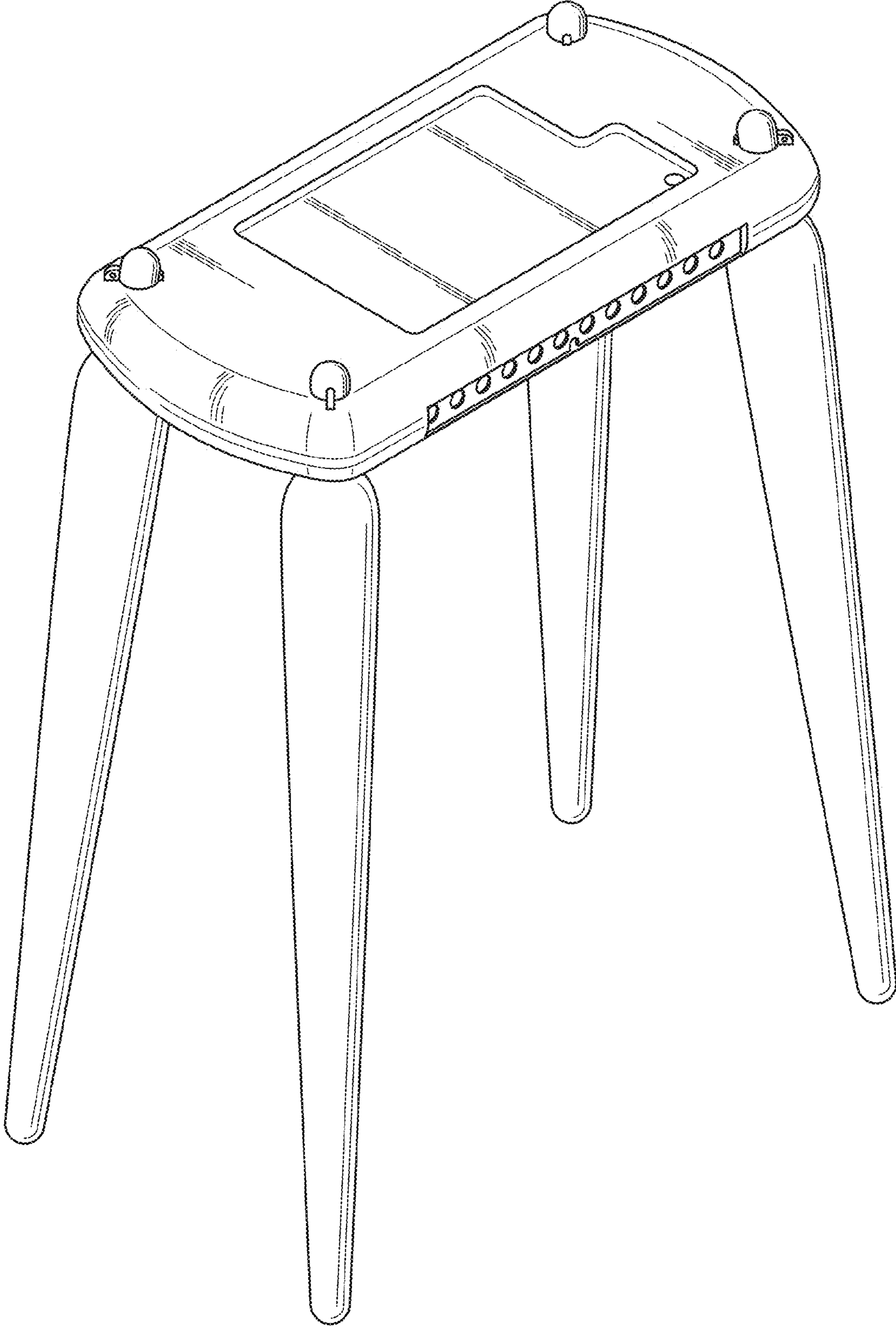


FIG. 1



**FIG. 2**

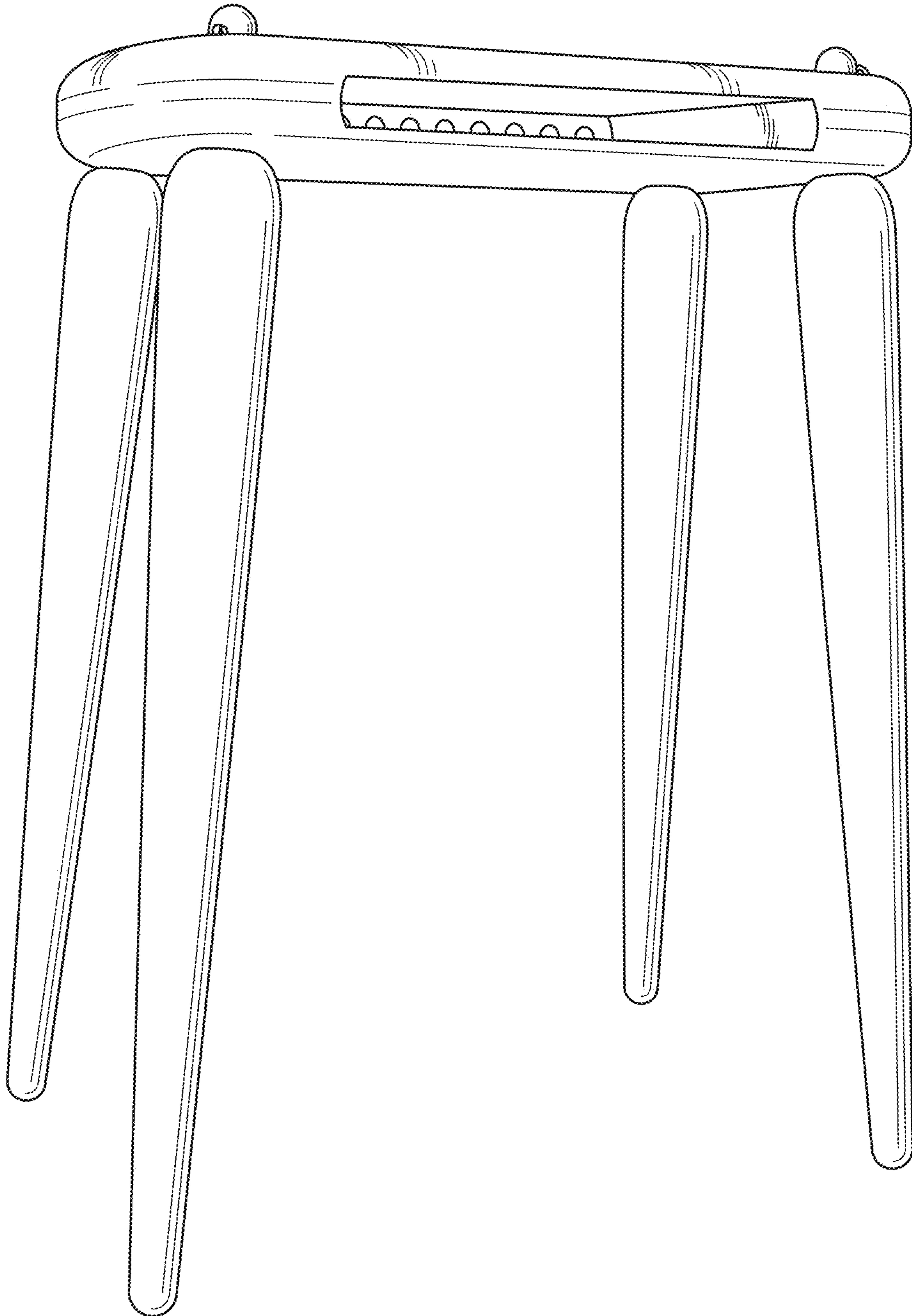
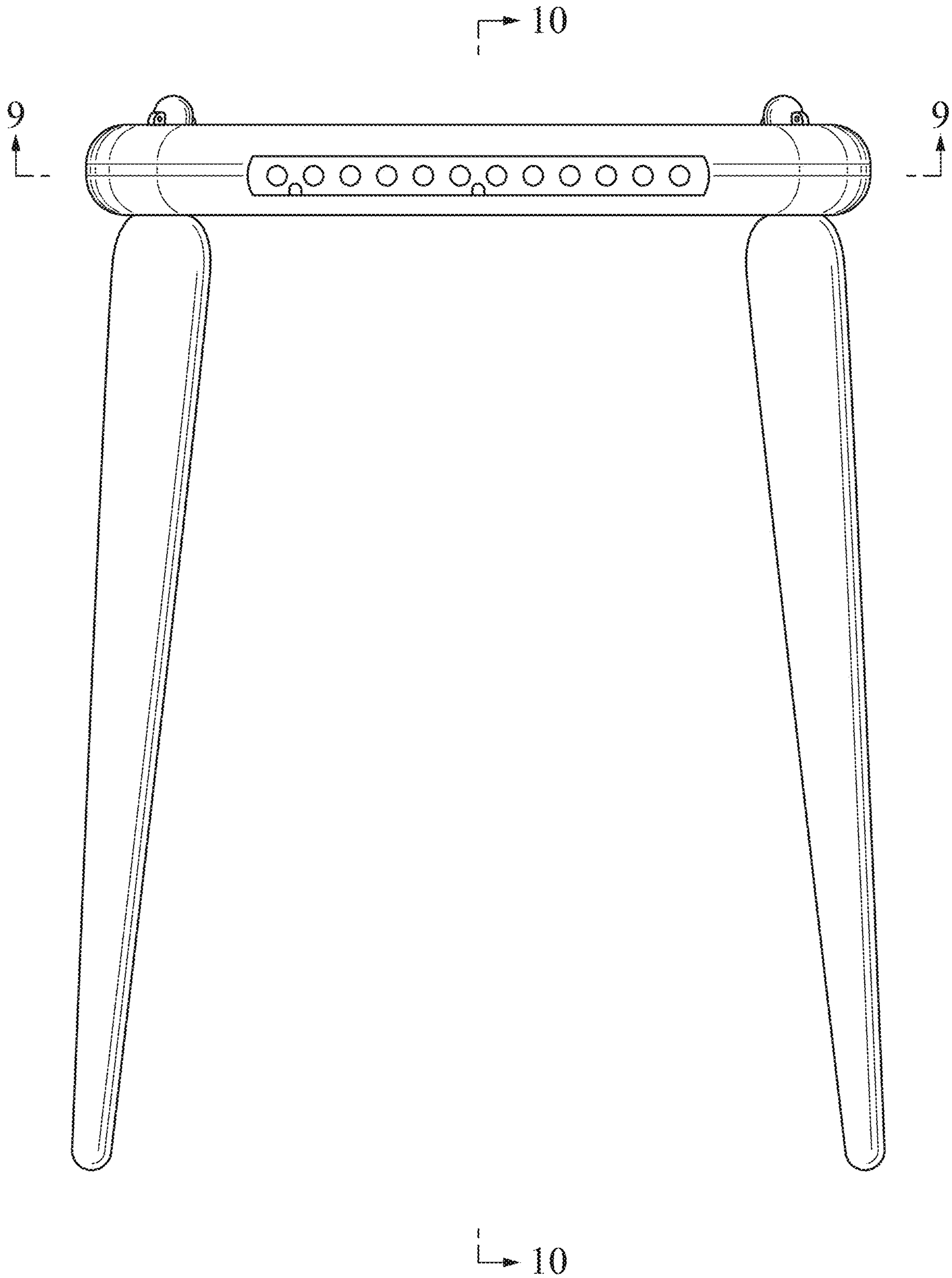
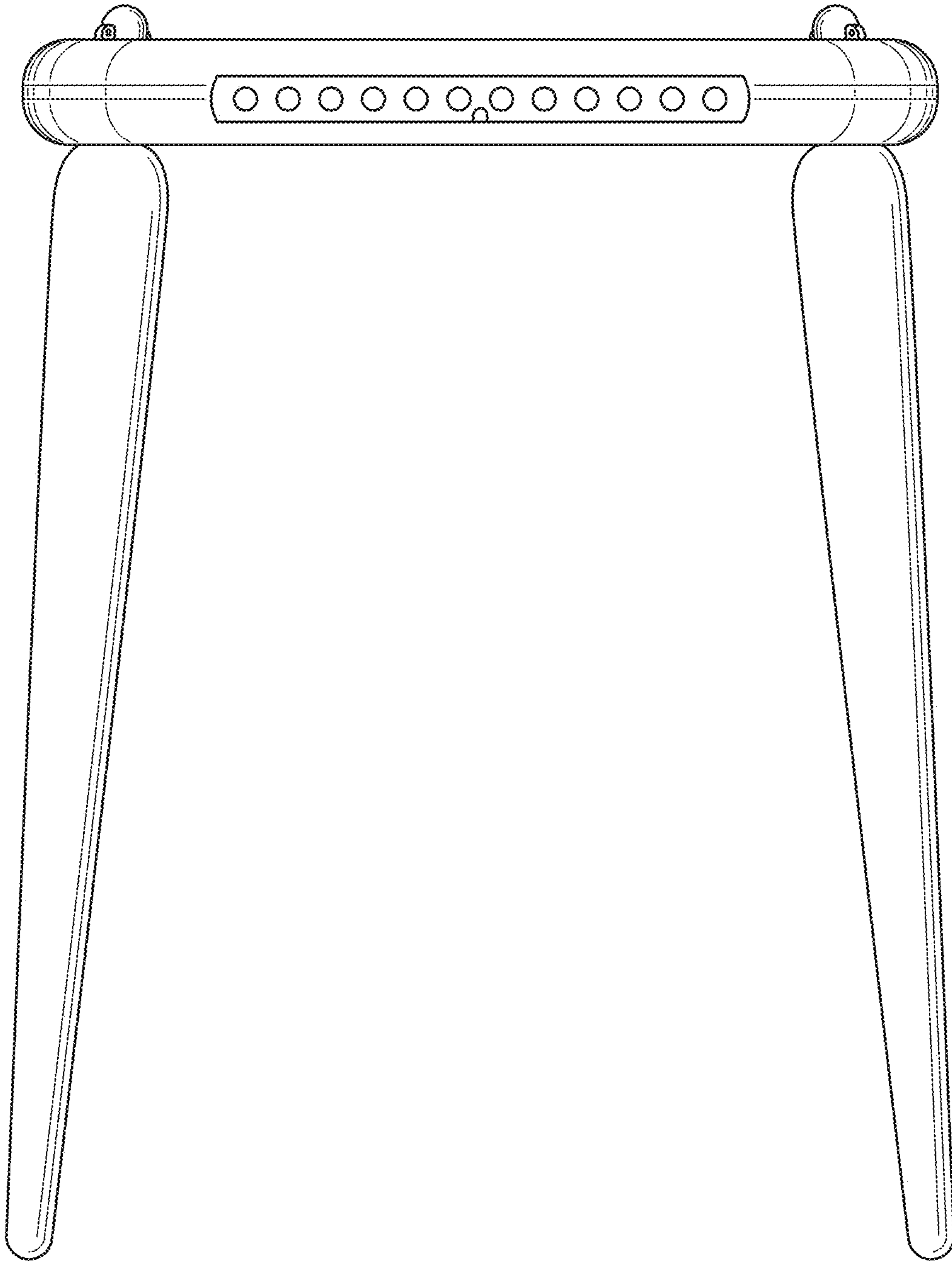


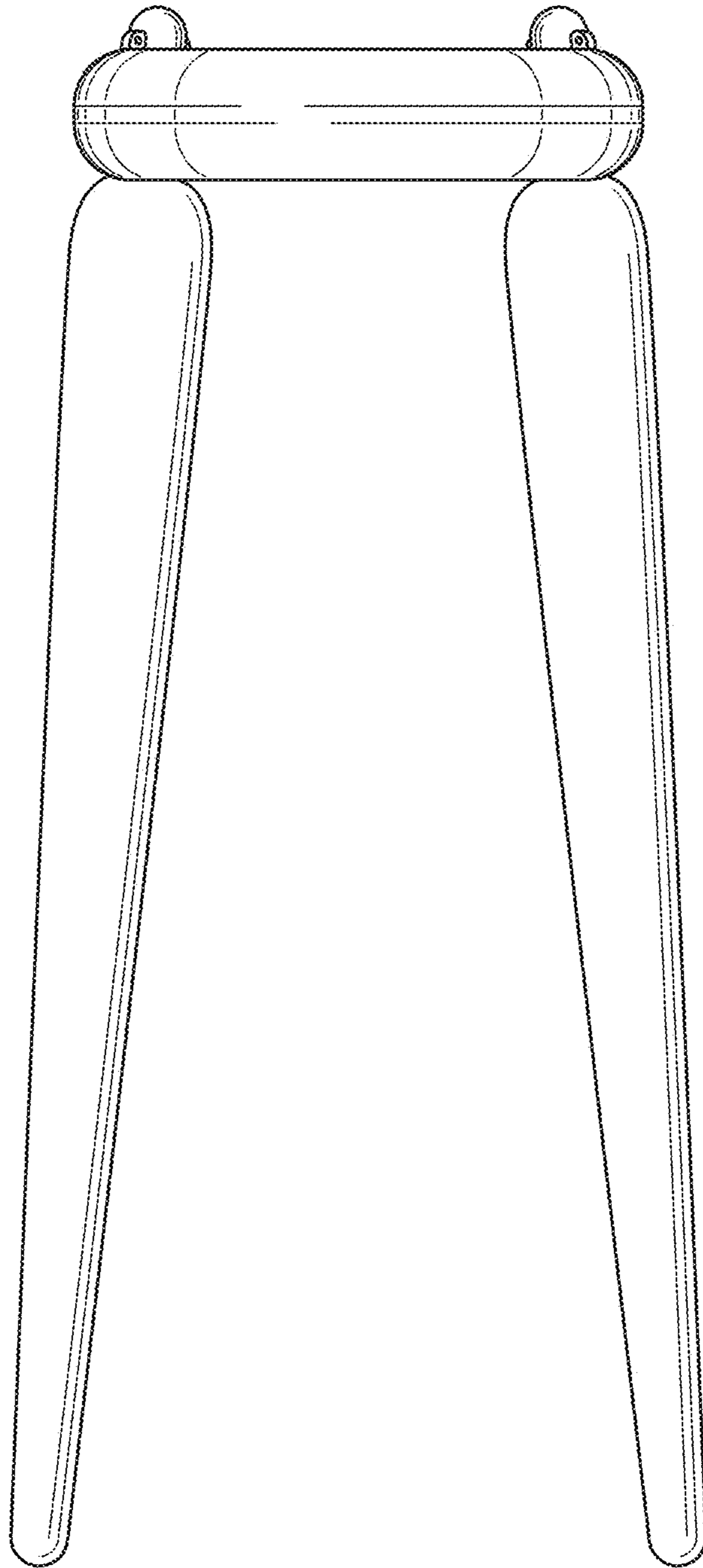
FIG. 3



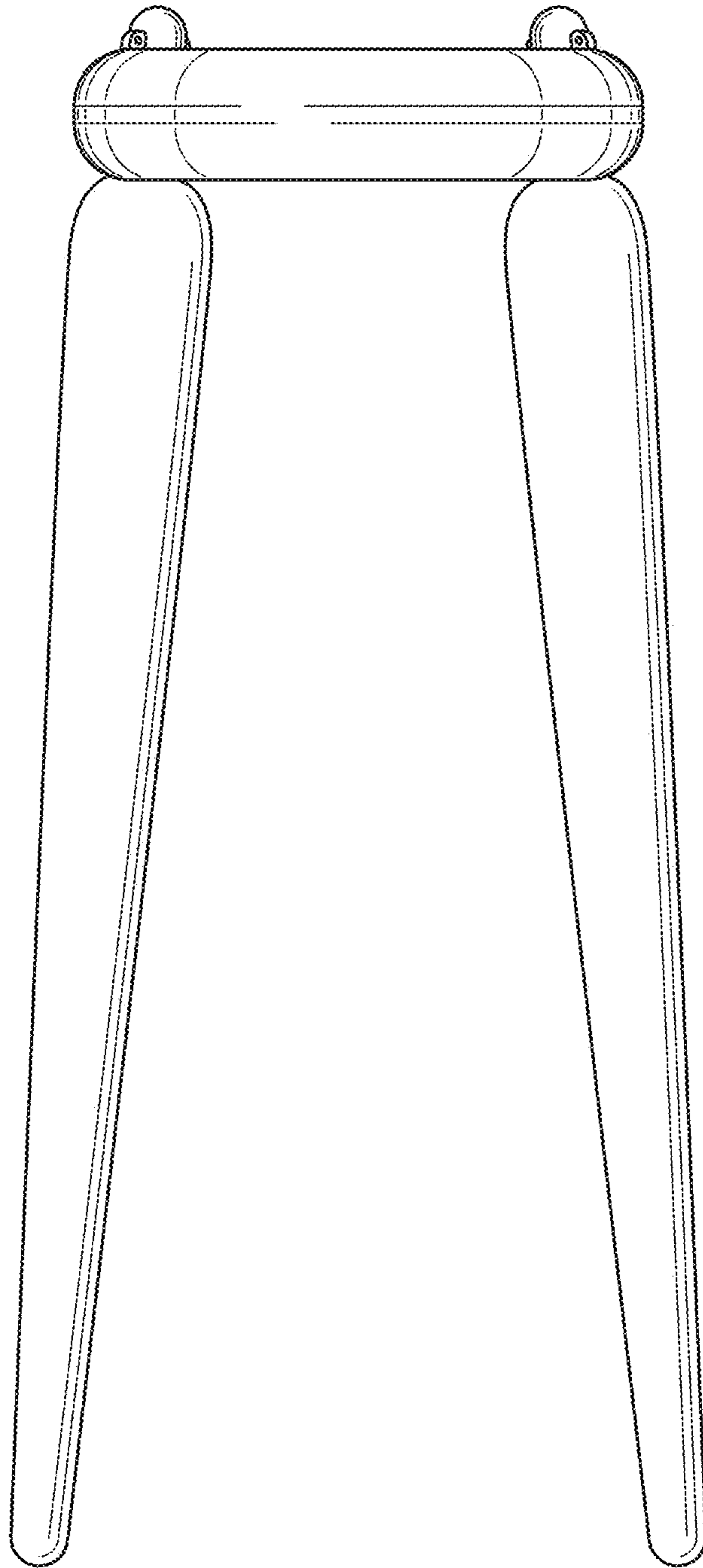
**FIG. 4**



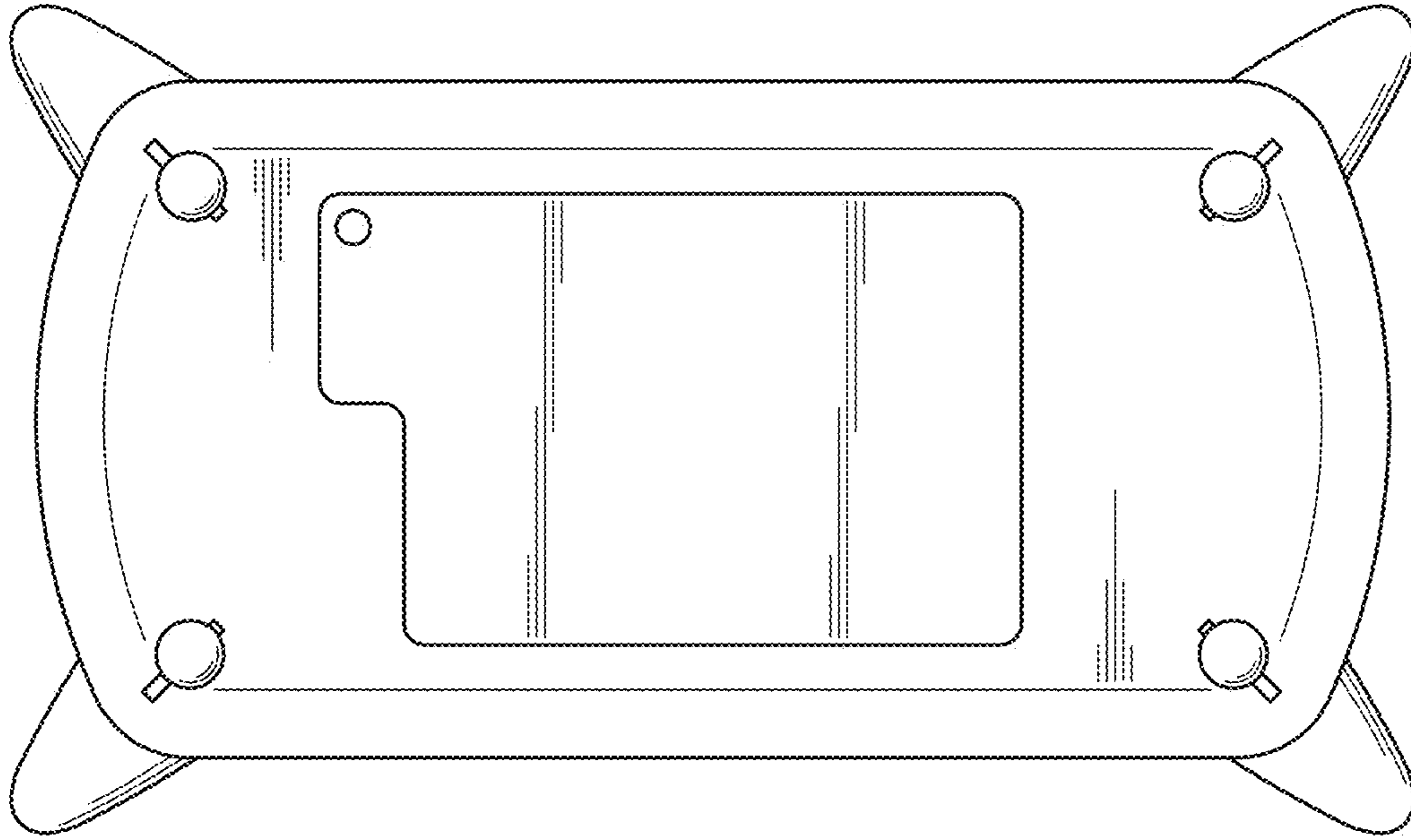
**FIG. 5**



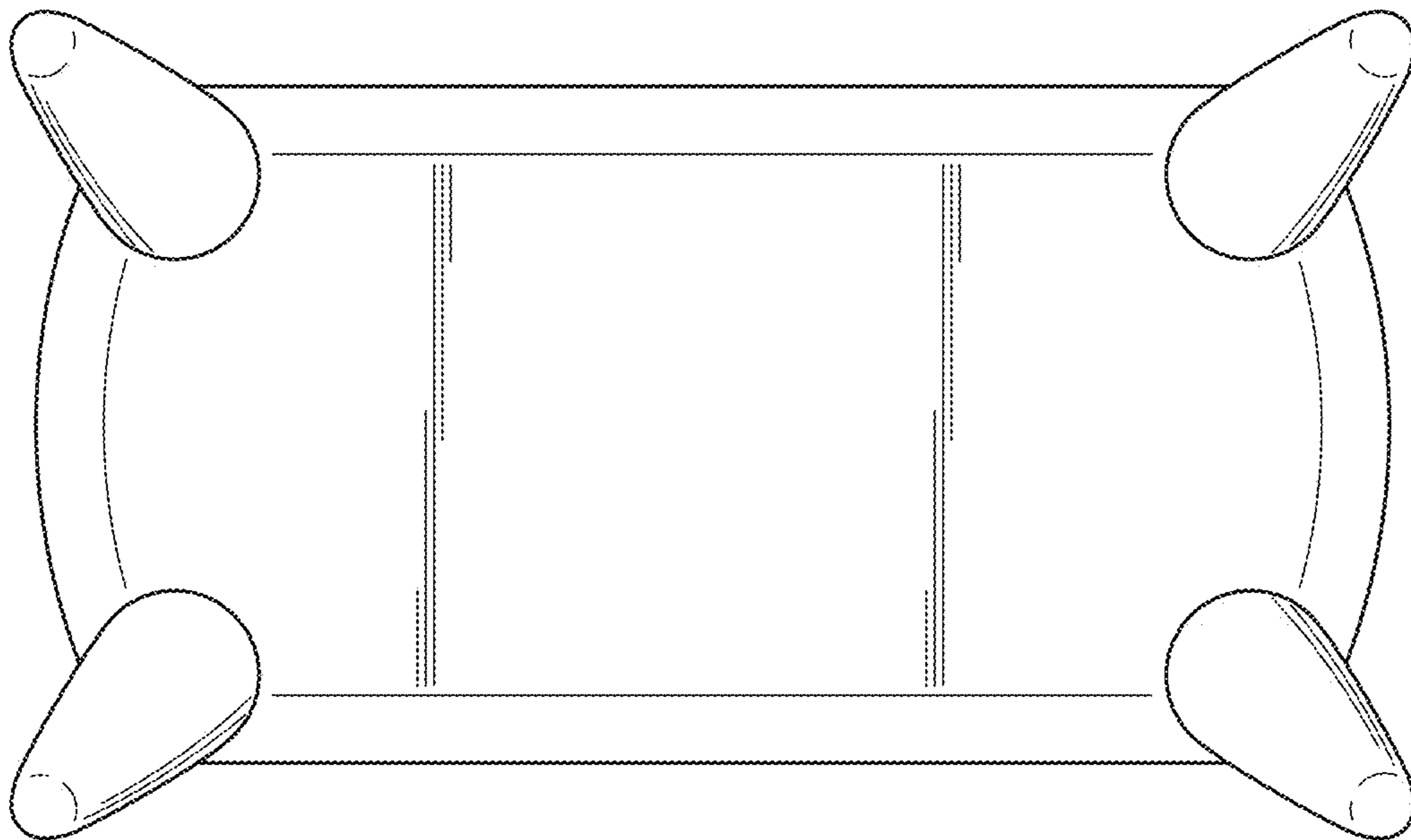
**FIG. 6**



**FIG. 7**

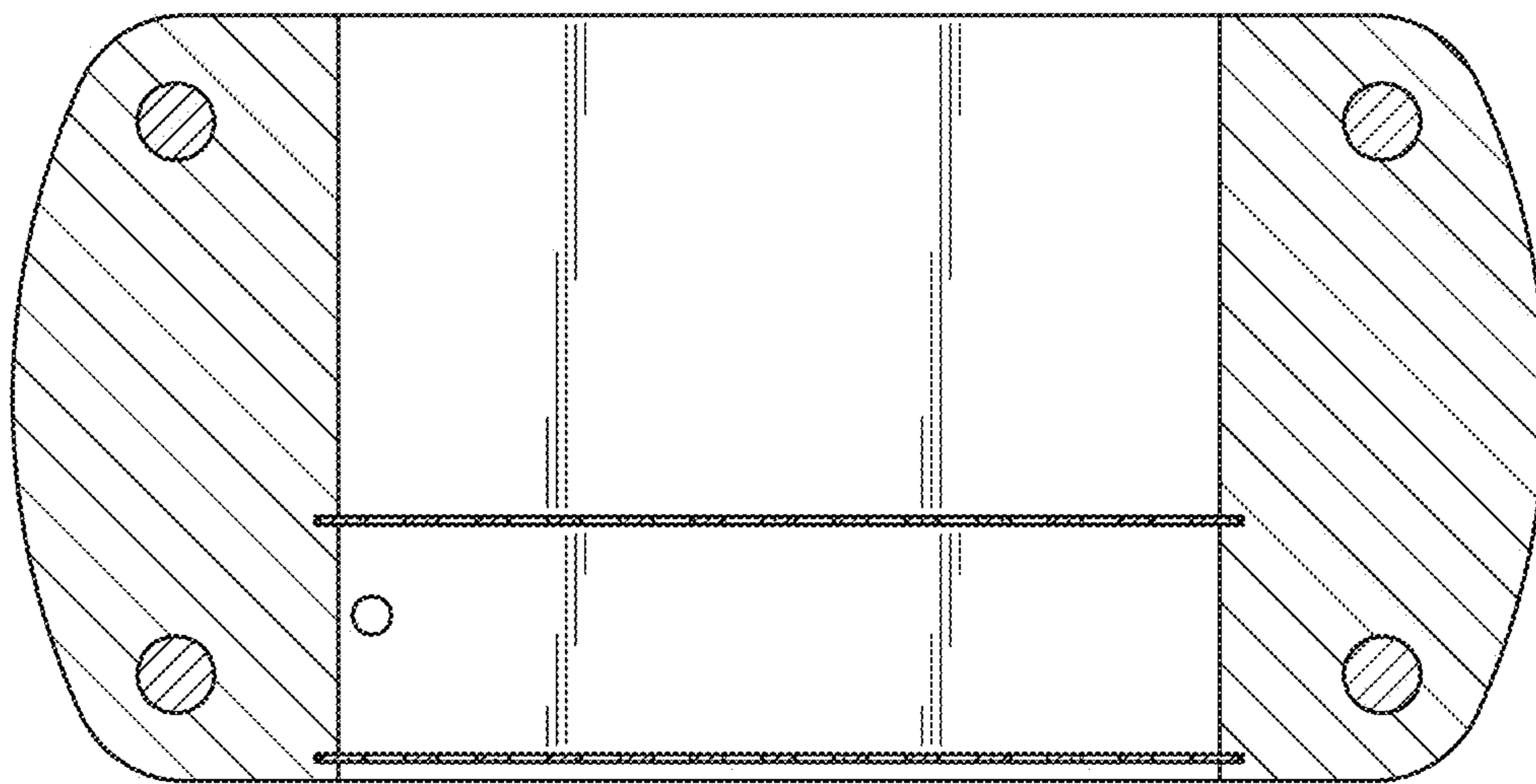


**FIG. 8**





**FIG. 9**



**FIG. 10**

