



(12) **United States Design Patent** (10) **Patent No.:** **US D882,300 S**
Li (45) **Date of Patent:** **** Apr. 28, 2020**

(54) **L SHAPED DESK**

- (71) Applicant: **Wenjun Li**, Xiamen (CN)
 (72) Inventor: **Wenjun Li**, Xiamen (CN)
 (**) Term: **15 Years**
 (21) Appl. No.: **29/719,348**
 (22) Filed: **Jan. 3, 2020**
 (51) **LOC (12) Cl.** **06-03**
 (52) **U.S. Cl.**
 USPC **D6/648.4**; D6/655.1
 (58) **Field of Classification Search**
 USPC ... D6/641, 642, 647, 648, 648.1–648.4, 655,
 D6/655.1, 655.11, 655.17, 655.18
 CPC A47B 7/00; A47B 7/02; A47B 9/00; A47B
 13/00; A47B 13/02; A47B 13/04; A47B
 13/06; A47B 13/08; A47B 13/10; A47B
 13/12; A47B 17/00; A47B 21/00; A47B
 2200/0001; A47B 2200/0002; A47B
 2200/0011; A47B 2200/002; A47B
 2200/066
 See application file for complete search history.

(56) **References Cited**

U.S. PATENT DOCUMENTS

D169,375 S *	4/1953	Knoll	D6/648
4,555,150 A *	11/1985	Turnbull	A47B 17/033
				312/195
D294,666 S *	3/1988	Favaretto	D6/648.1
D321,102 S *	10/1991	Newhouse	D6/648
6,997,114 B2 *	2/2006	Chang	A47B 17/06
				108/64
7,469,644 B2 *	12/2008	Tseng	A47B 1/04
				108/158.11
D626,759 S *	11/2010	Joh	D6/648.1
D648,568 S *	11/2011	Cortivo	A47B 17/033
				D6/648
D783,316 S *	4/2017	Davis	A47B 17/06
				D6/655.1
D798,084 S *	9/2017	Acuff	A47B 1/04
				D6/641

OTHER PUBLICATIONS

Tribesigns L-Shaped Desk with Storage Shelves—Amazon.com, first listed on Dec. 30, 2019—retrieved from the internet on Jan. 13, 2020 https://www.amazon.com/dp/B083BNBJVD/ref=sspa_dk_detail_5_psc=1&spLa=ZW5jcnlwdGVkUXVhbGlmaWVyPUEwOTE4MzZM3QIjE0dRSkNXTVNFJmVuY3J5cHRIZEFkSWQ9QTA1M.*
 Bon Augure L Shaped Corner Computer Desk, Rustic Wood and Metal Office Desk with Storage Shelves, Industrial Writing Table for Home Office (59 Inch, Rustic Oak), <https://www.amazon.com/gp/product/B07Y81KMSX>, date first listed on Amazon—Sep. 9, 2019.
 Bon Augure L Shaped Corner Computer Desk, Rustic Wood and Metal Office Desk with Storage Shelves, Industrial Writing Table for Home Office (59 Inch, Rustic Oak), <https://www.amazon.com/dp/B07T7VMYVX>, date first listed on Amazon—Sep. 9, 2019.

* cited by examiner

Primary Examiner — Mary Ann Calabrese
 (74) *Attorney, Agent, or Firm* — KA Filing LLC; Wayne V. Harper

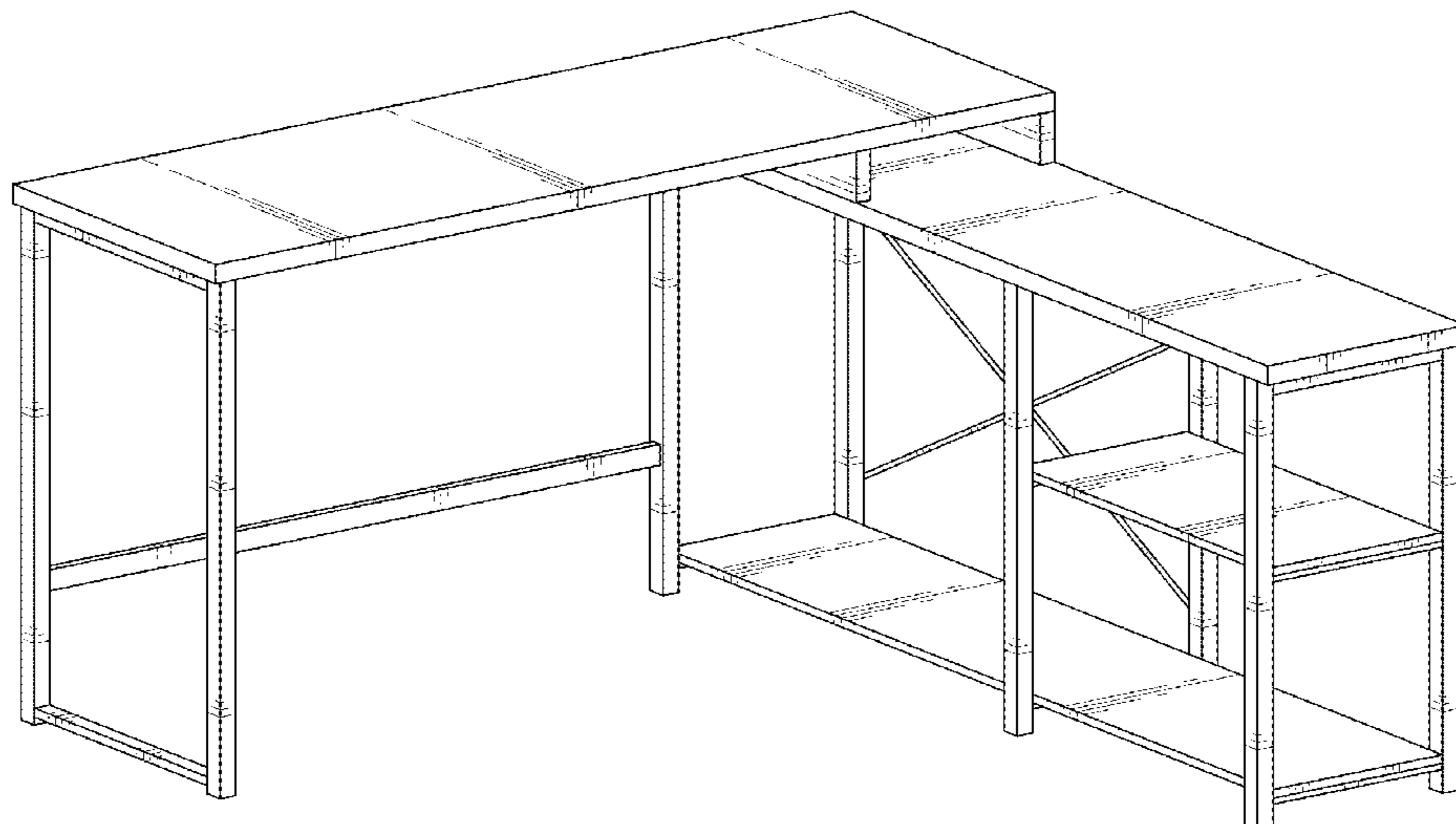
(57) **CLAIM**

I claim the ornamental design for an L shaped desk, as shown and described.

DESCRIPTION

FIG. 1 is a Perspective view of an L shaped desk showing my new design;
 FIG. 2 is a Front view thereof;
 FIG. 3 is a Back view thereof;
 FIG. 4 is a Right-side view thereof;
 FIG. 5 is a Left-side view thereof;
 FIG. 6 is a Top view thereof; and,
 FIG. 7 is a Bottom view thereof.

1 Claim, 7 Drawing Sheets



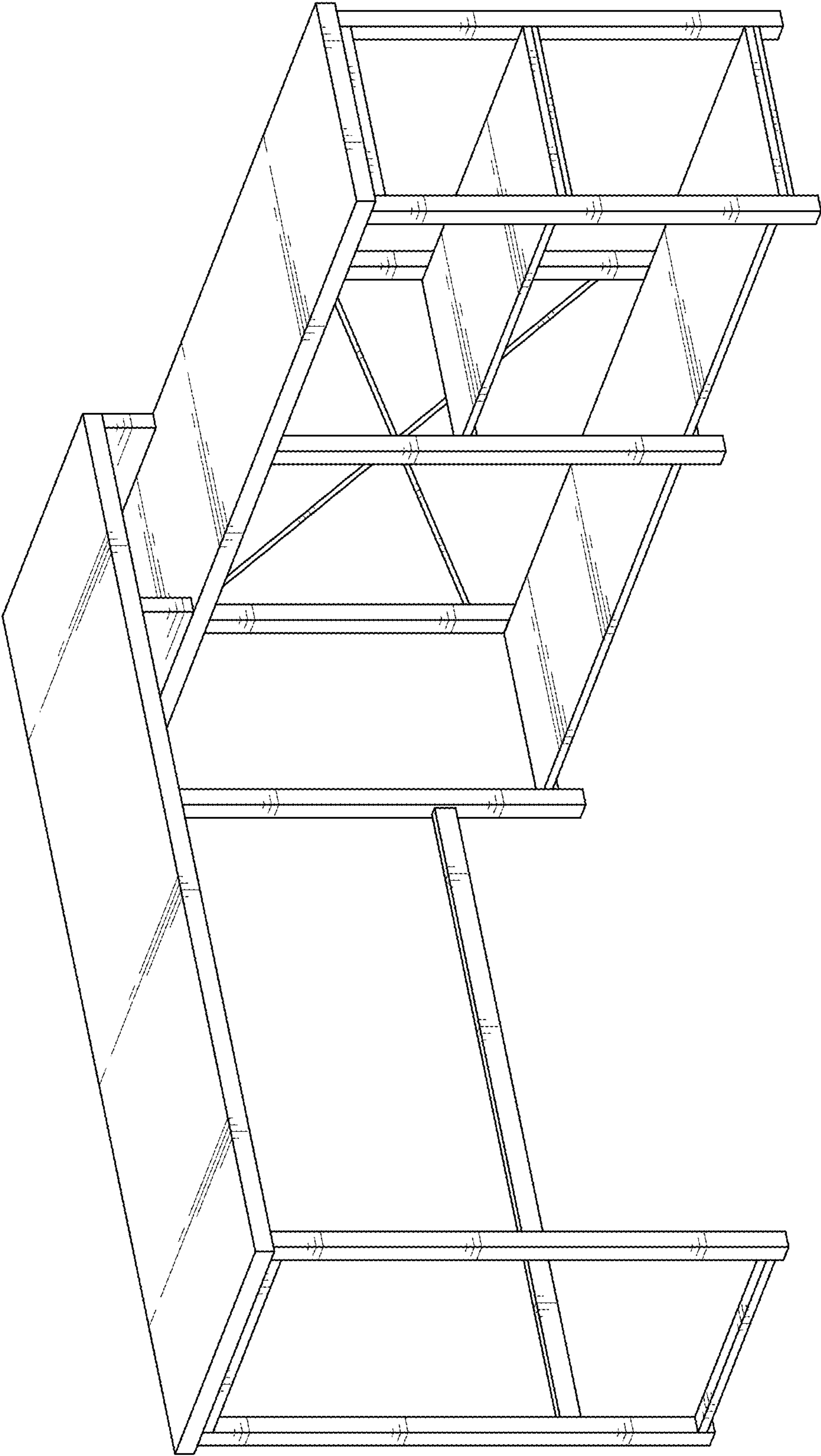


FIG. 1

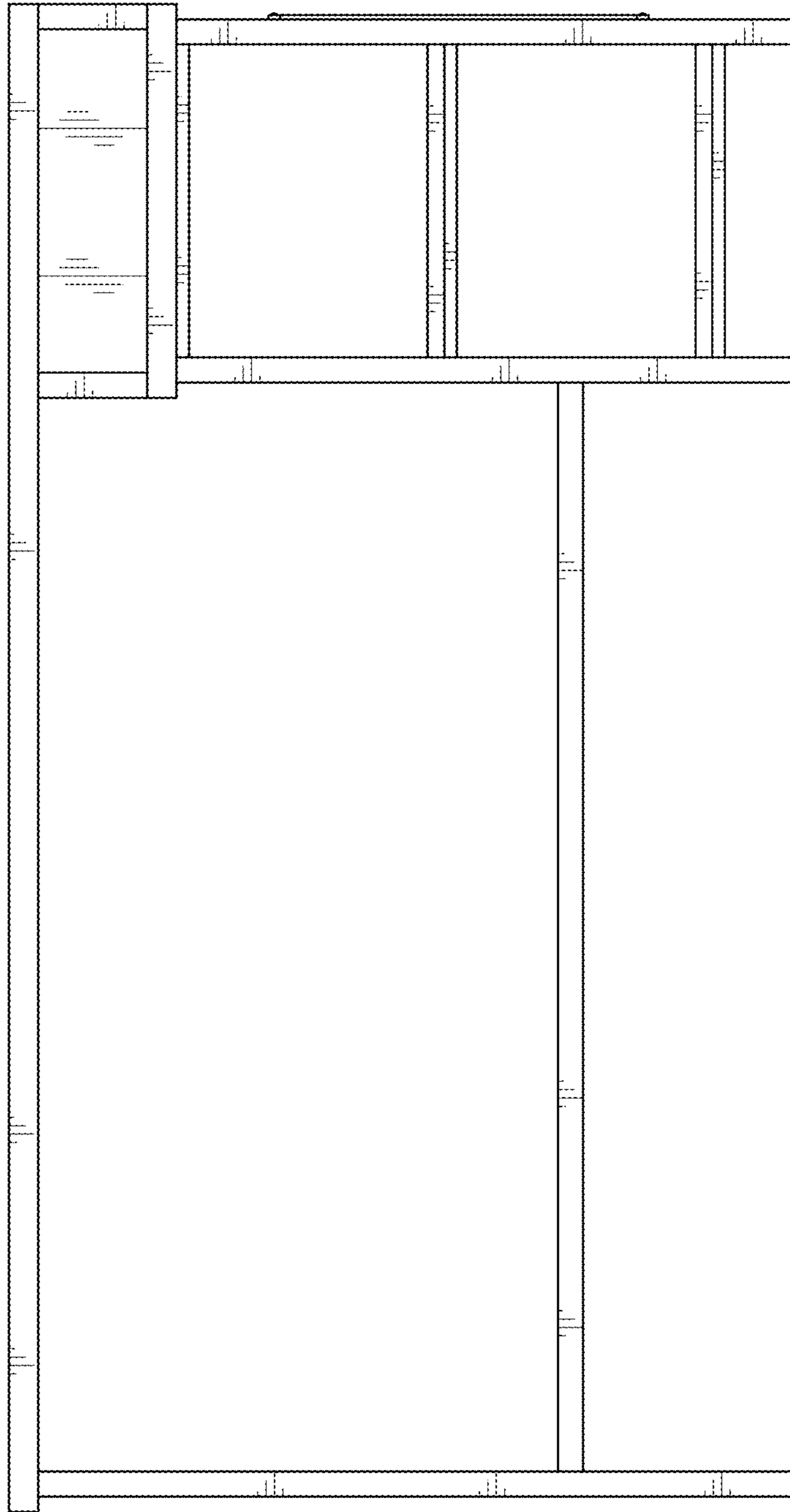


FIG. 2

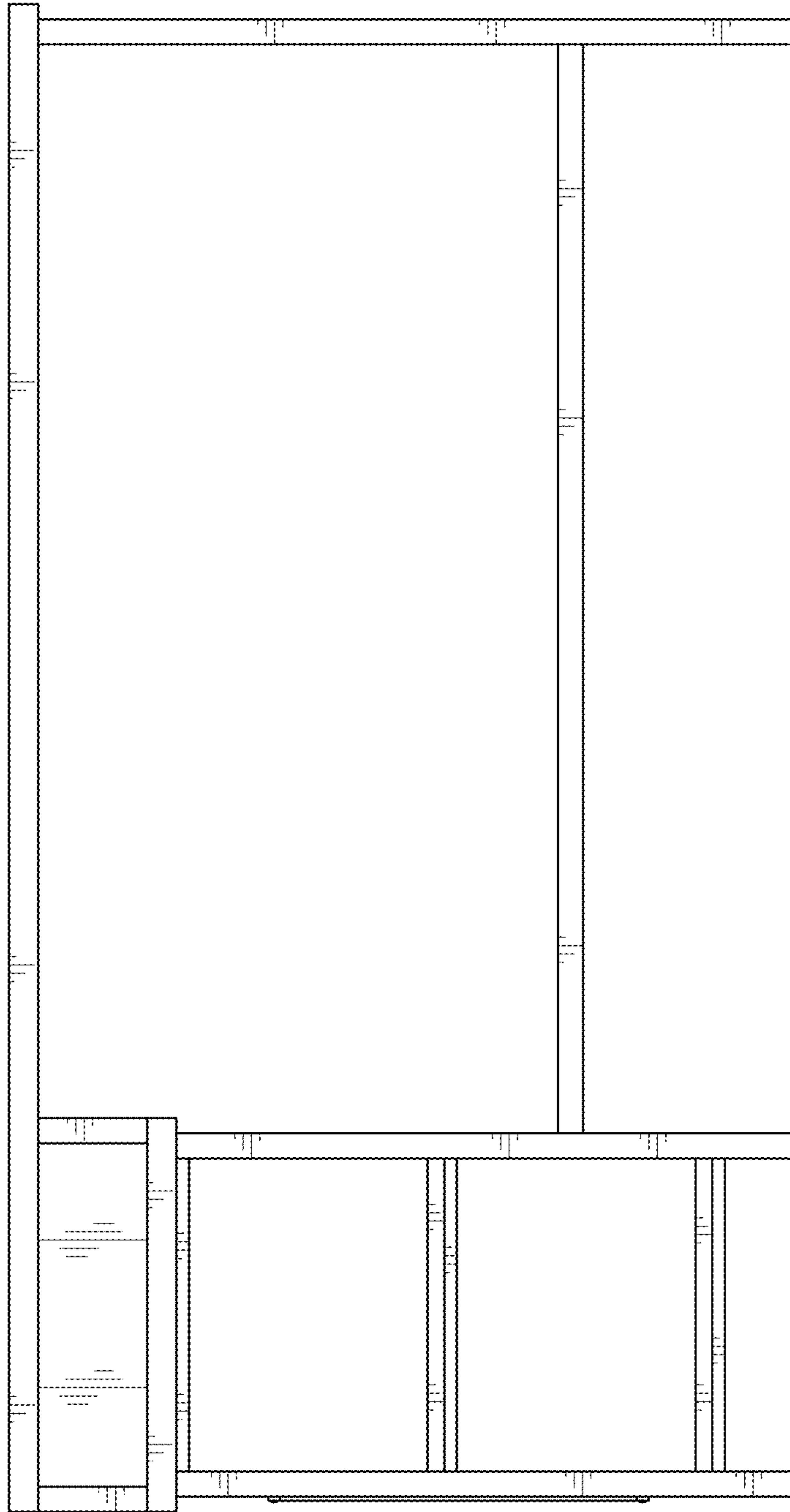


FIG. 3

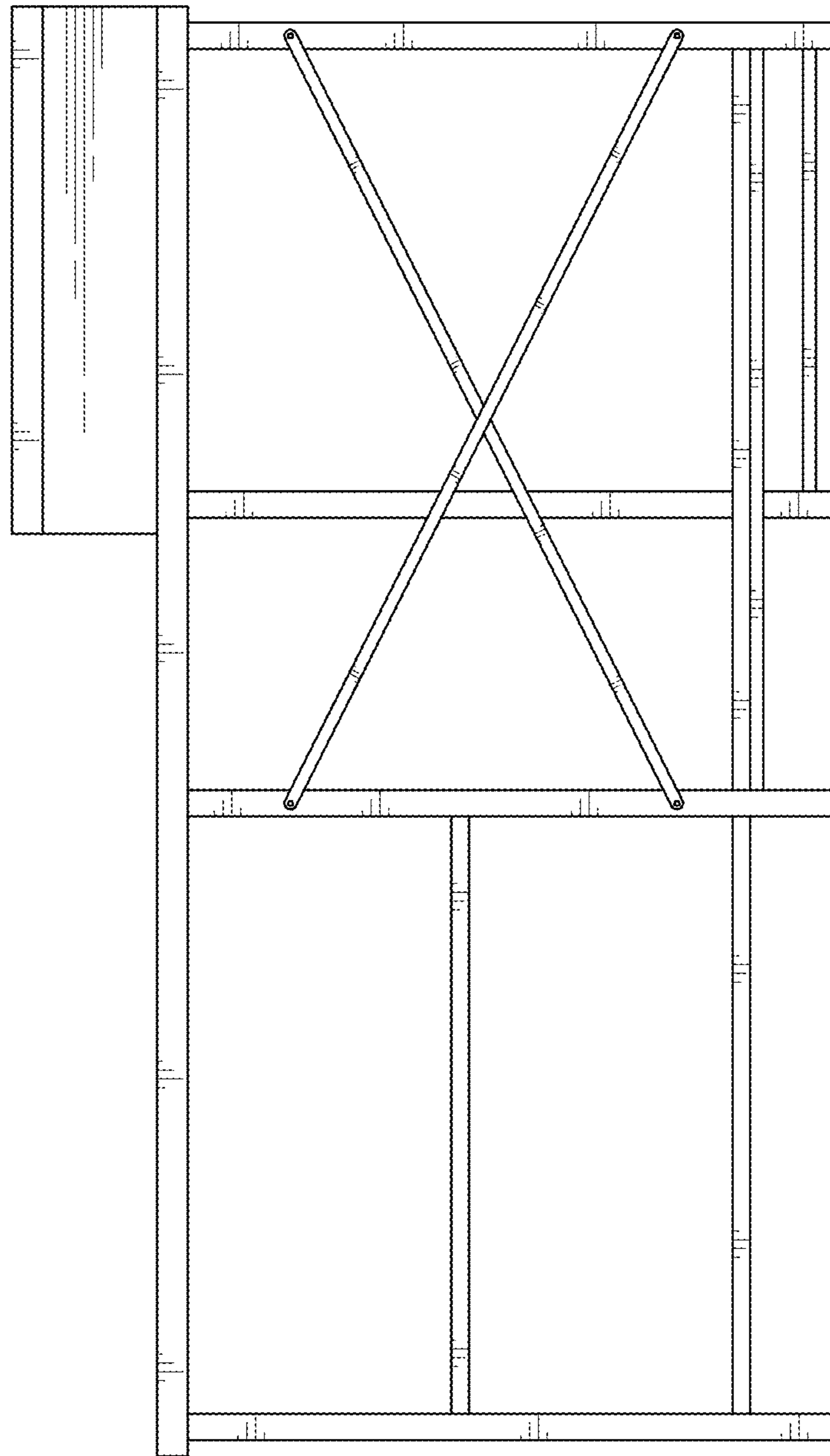


FIG. 4

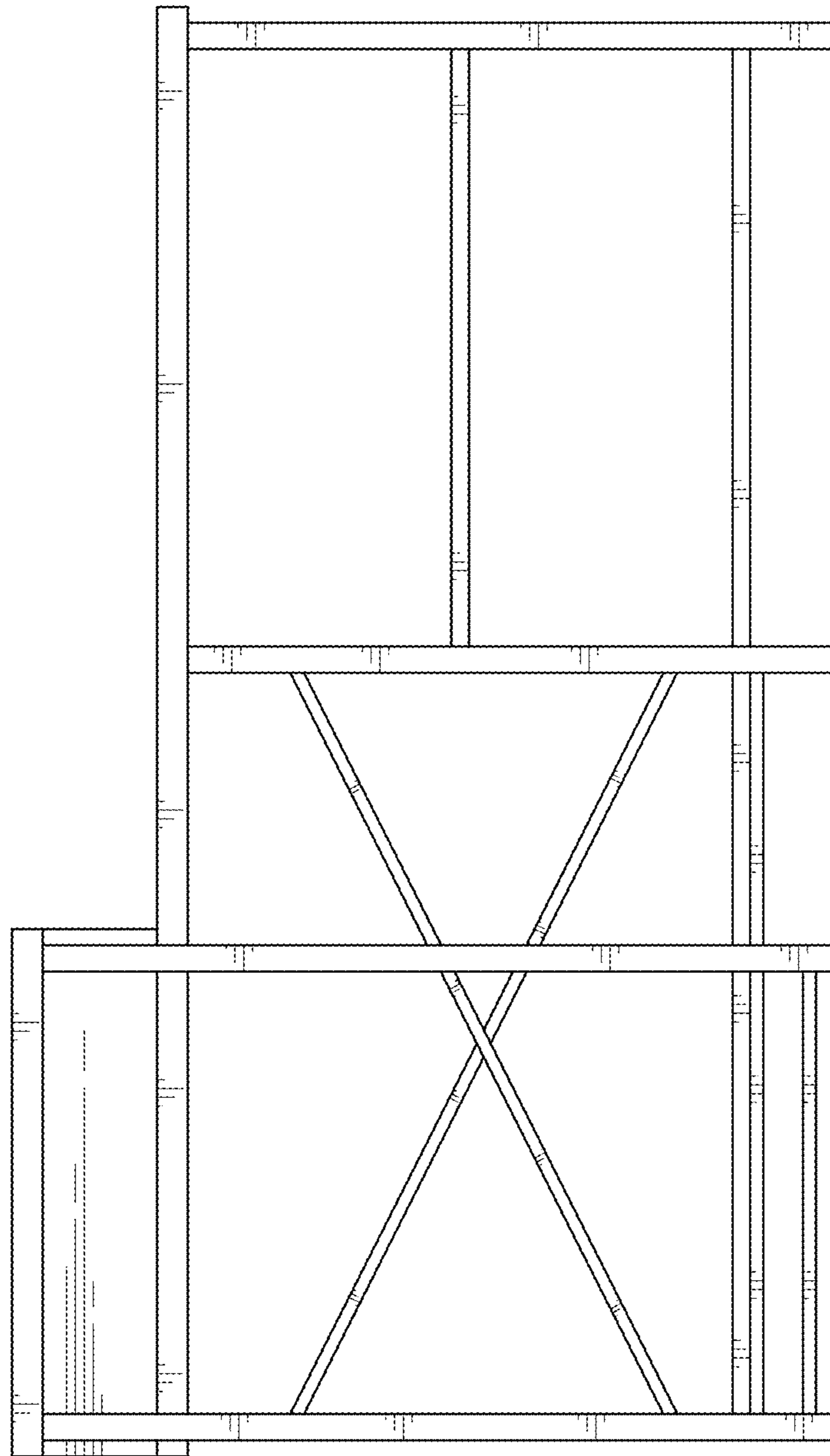


FIG. 5



FIG. 6

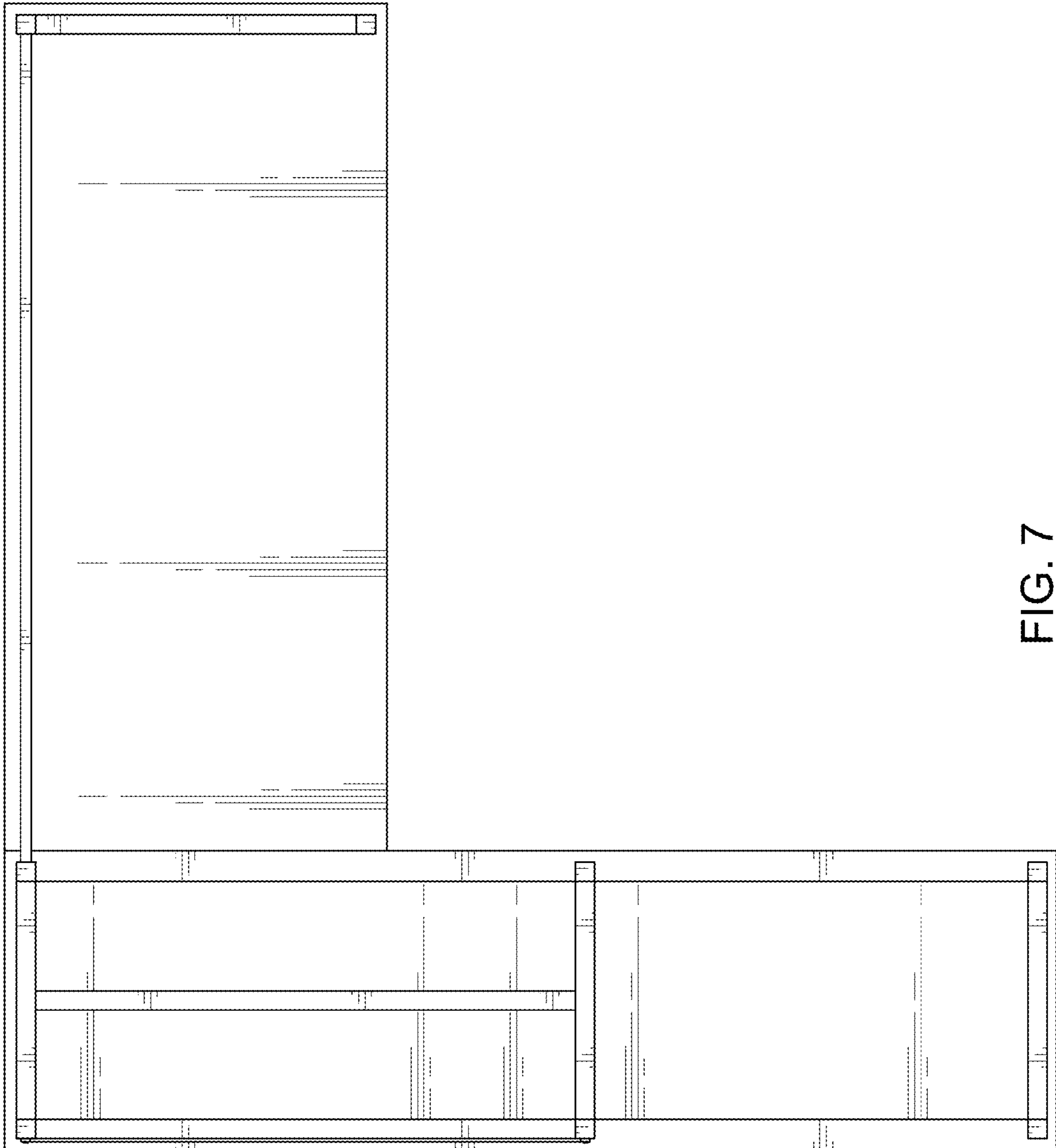


FIG. 7