



US00D882296S

(12) **United States Design Patent**
Huang

(10) **Patent No.:** **US D882,296 S**

(45) **Date of Patent:** **** Apr. 28, 2020**

(54) **MULTI-CONFIGURABLE BED WEDGE
PILLOW**

(71) Applicant: **Yi Huang**, Shenzhen (CN)

(72) Inventor: **Yi Huang**, Shenzhen (CN)

(73) Assignee: **Shenzhen Lantise Technology Co.,
Ltd.**, Shenzhen (CN)

(**) Term: **15 Years**

(21) Appl. No.: **29/671,203**

(22) Filed: **Nov. 26, 2018**

(30) **Foreign Application Priority Data**

Sep. 7, 2018 (CN) 2018 3 05030040

(51) **LOC (12) Cl.** **06-09**

(52) **U.S. Cl.**
USPC **D6/601**

(58) **Field of Classification Search**
USPC D6/595, 596, 601, 716.5, 604; D24/183,
D24/190
CPC A47G 9/00; A47G 9/10; A47G 9/1045;
A47G 9/1054; A47G 9/1063; A47G
9/1072; A47G 9/1081; A47G 9/109;
A47G 1009/1027; A47G 2009/1018;
A47C 27/001; A47C 7/021; A47C 7/022;
A47C 7/18
See application file for complete search history.

(56) **References Cited**

U.S. PATENT DOCUMENTS

4,905,330 A * 3/1990 Jacobs A47C 17/045
482/23
D319,365 S * 8/1991 Edelson D6/596
D376,945 S * 12/1996 Bonaddio 5/420

6,230,350 B1 * 5/2001 Goldstein A47C 20/026
5/636
D446,676 S * 8/2001 Mayes D6/601
6,292,964 B1 * 9/2001 Rose A47G 9/10
5/630
D509,269 S * 9/2005 Decker D21/686
D543,407 S * 5/2007 Thom D6/604
D565,131 S * 3/2008 Decker D21/686
D578,219 S * 10/2008 Daggett D24/183
D610,852 S * 3/2010 Rothschild D6/601
8,671,480 B1 * 3/2014 Leach A47C 20/025
5/630
D749,873 S * 2/2016 Latrofa D6/601
9,596,942 B2 * 3/2017 Kubota A47C 16/00
D805,325 S * 12/2017 Chan D6/601
10,292,881 B2 * 5/2019 Ribble A61G 7/015

(Continued)

Primary Examiner — Mary Ann Calabrese

Assistant Examiner — Jennifer L Rempfer

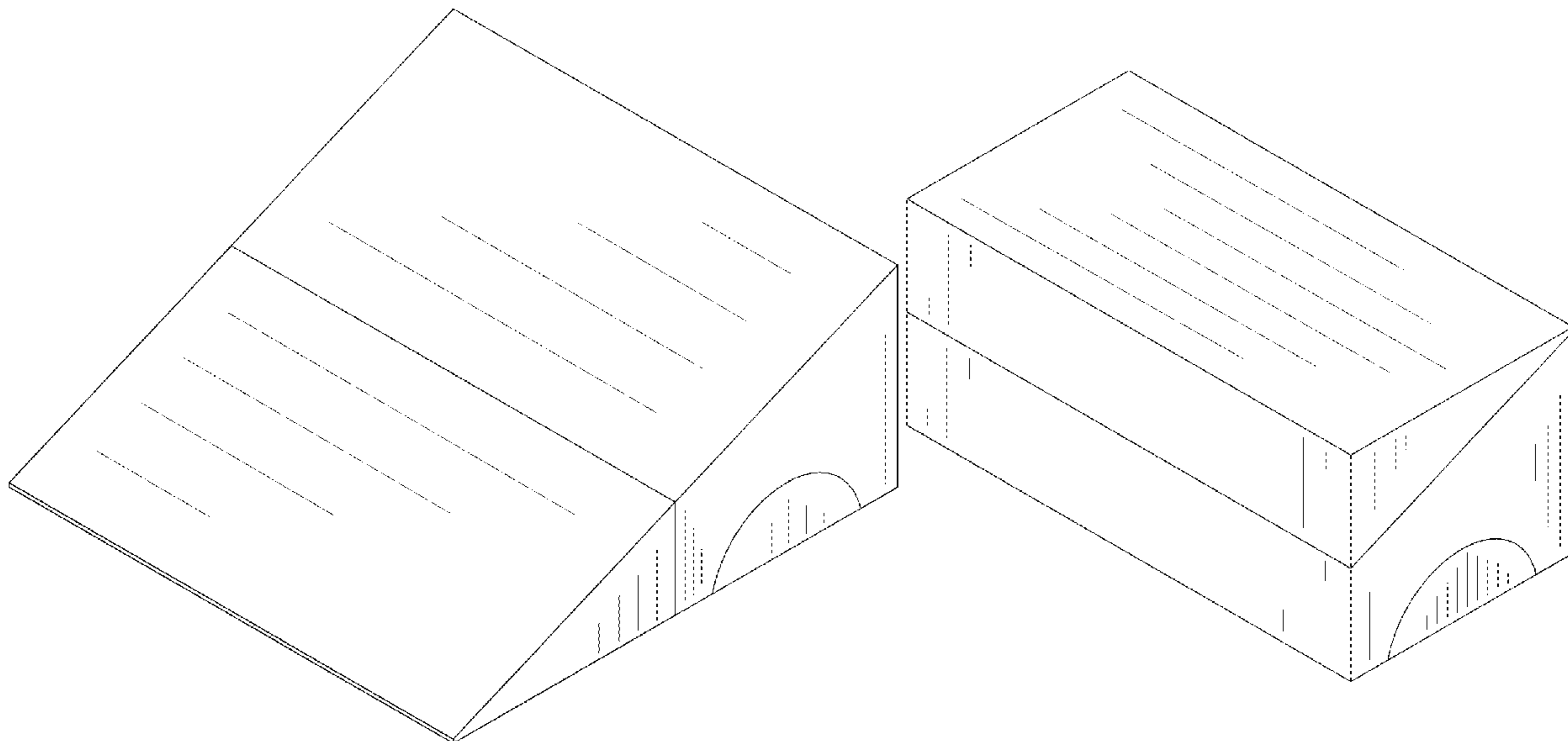
(57) **CLAIM**

The ornamental design for the multi-configurable bed wedge pillow, as shown and described.

DESCRIPTION

FIG. 1 is a top, front perspective view of the multi-configurable bed wedge pillow showing my new design;
FIG. 2 is a front elevational view thereof;
FIG. 3 is a rear elevational view thereof;
FIG. 4 is a left side elevational view thereof;
FIG. 5 is a right side elevational view thereof;
FIG. 6 is a top plan view thereof;
FIG. 7 is a bottom plan view thereof;
FIG. 8 is a top, front perspective view thereof showing the multi-configurable bed wedge pillow in an alternate configuration of use; and,
FIG. 9 is a top, front perspective view thereof showing the multi-configurable bed wedge pillow in a second alternate configuration of use.

1 Claim, 9 Drawing Sheets



(56)

References Cited

U.S. PATENT DOCUMENTS

2001/0044968 A1* 11/2001 Schmitter A47C 20/00
5/652
2014/0189956 A1* 7/2014 Sosi A47D 13/08
5/655

* cited by examiner

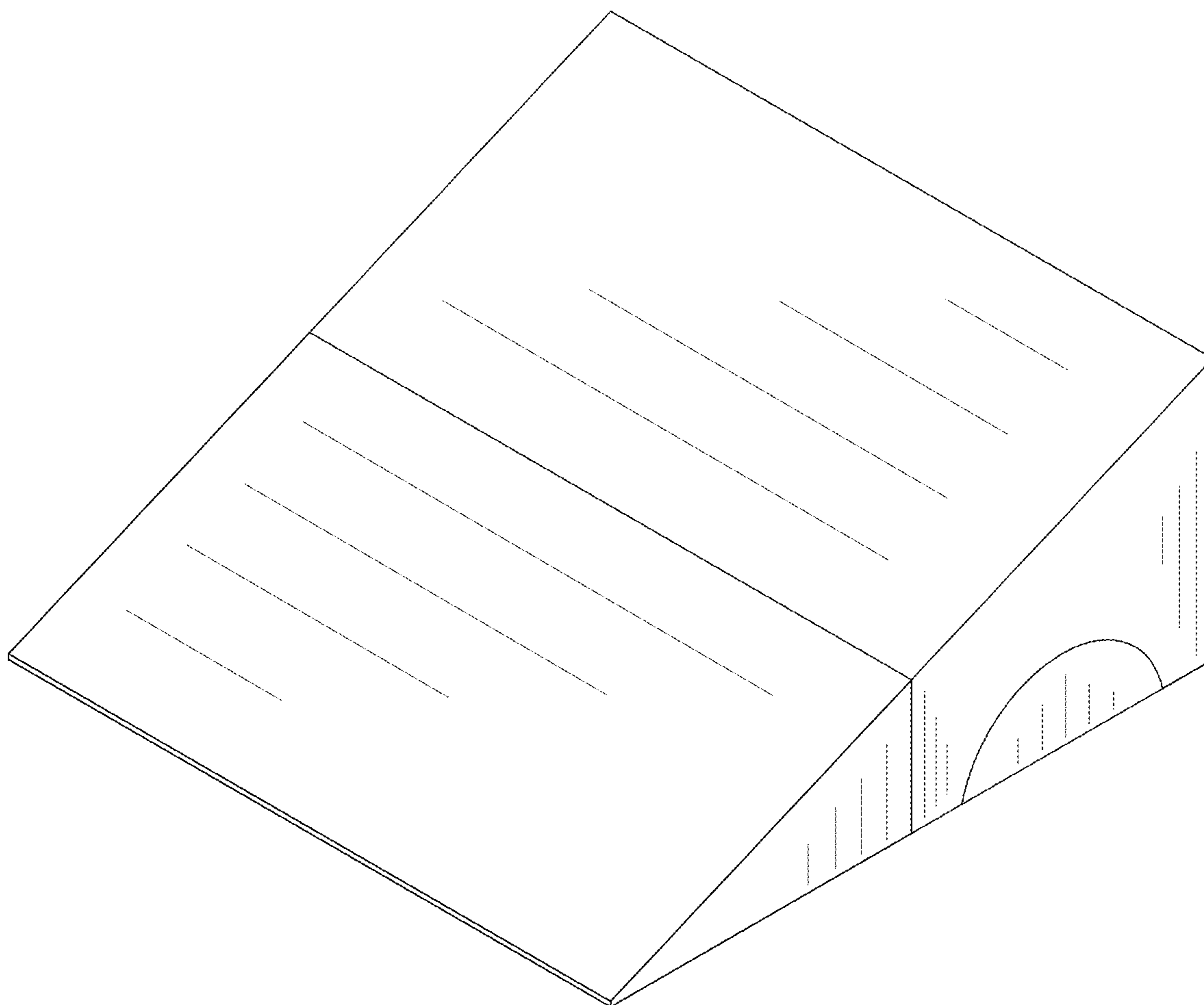


FIG. 1



FIG. 2

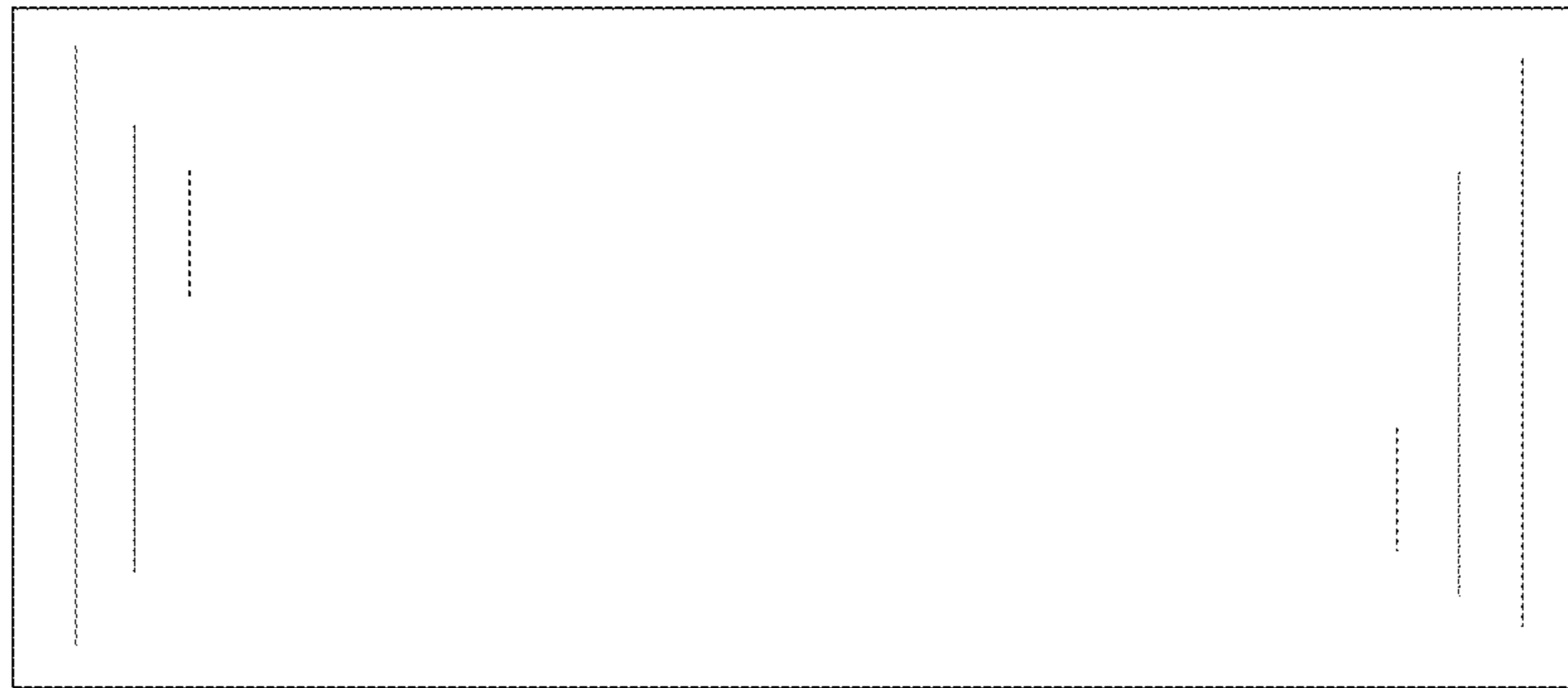


FIG. 3

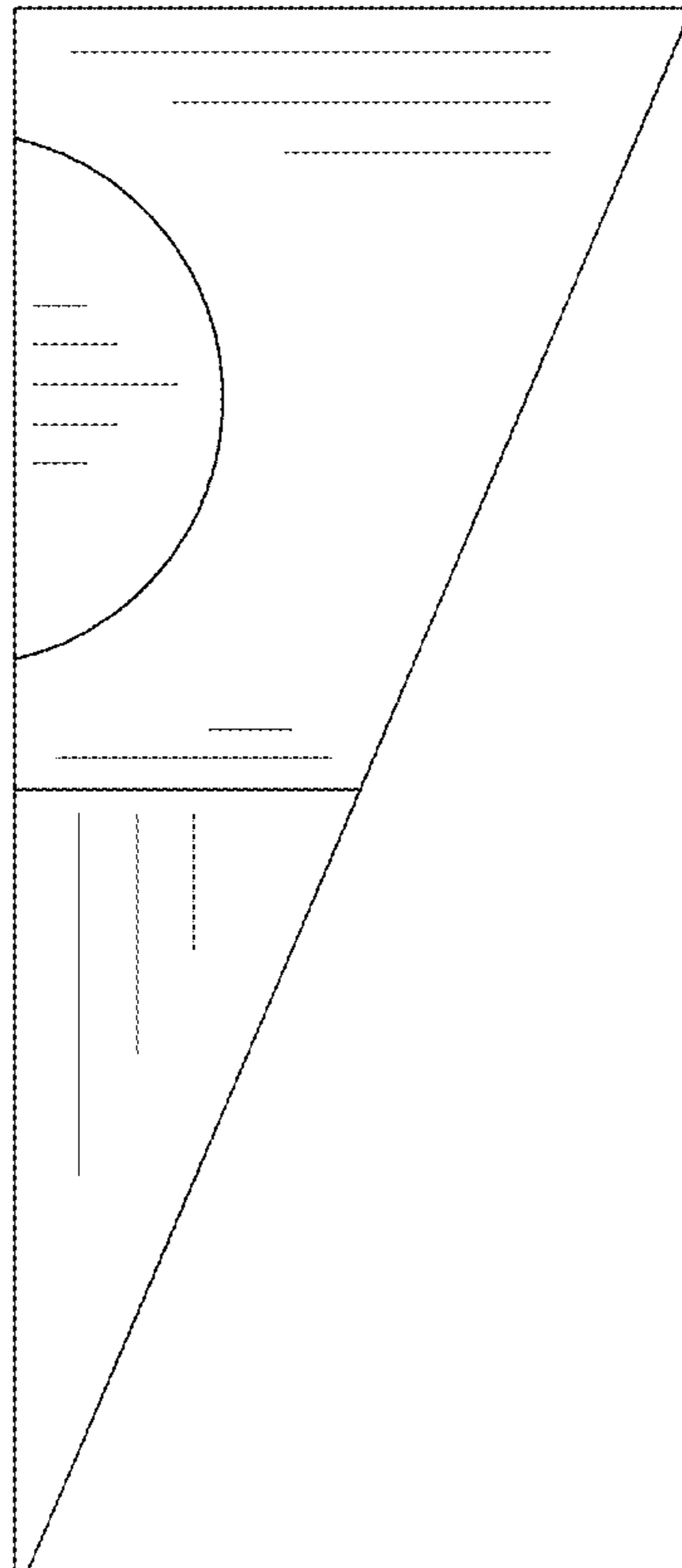


FIG. 4

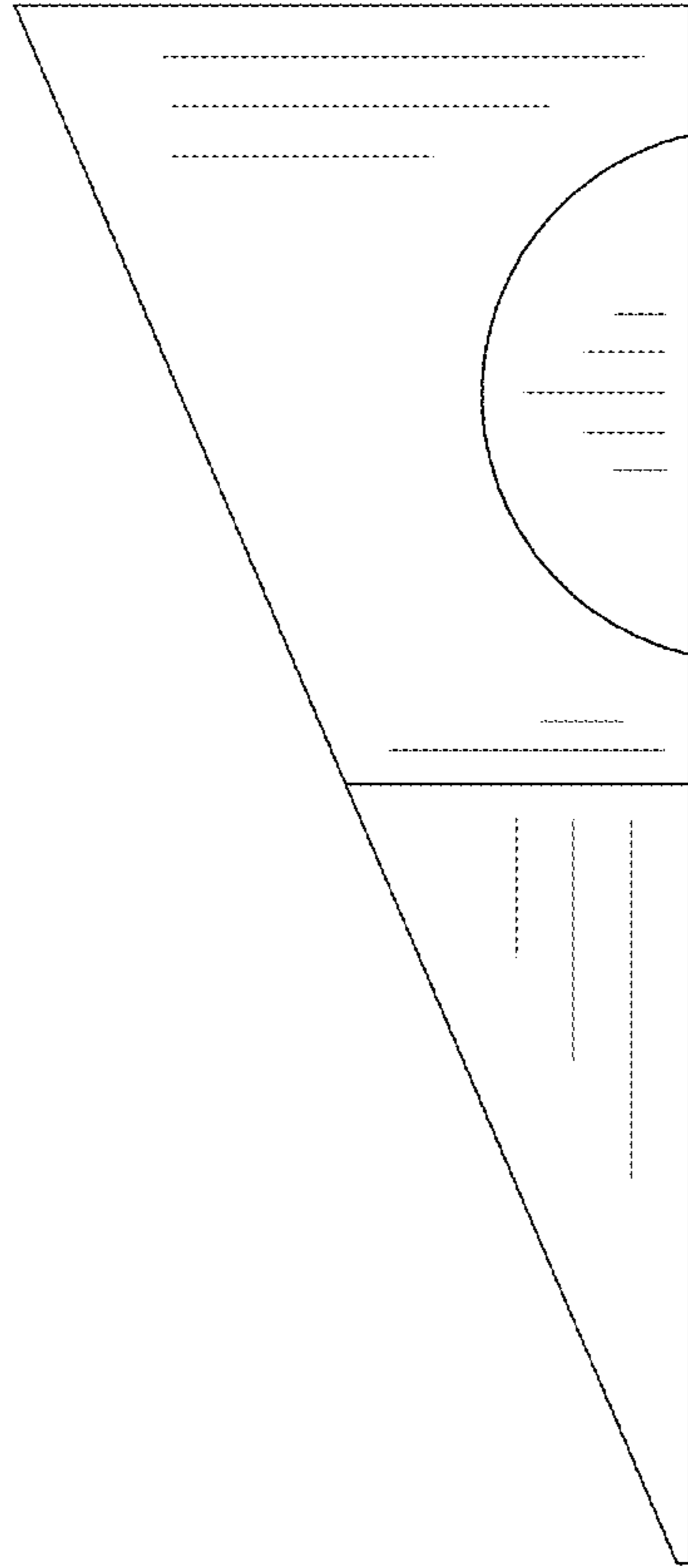


FIG. 5

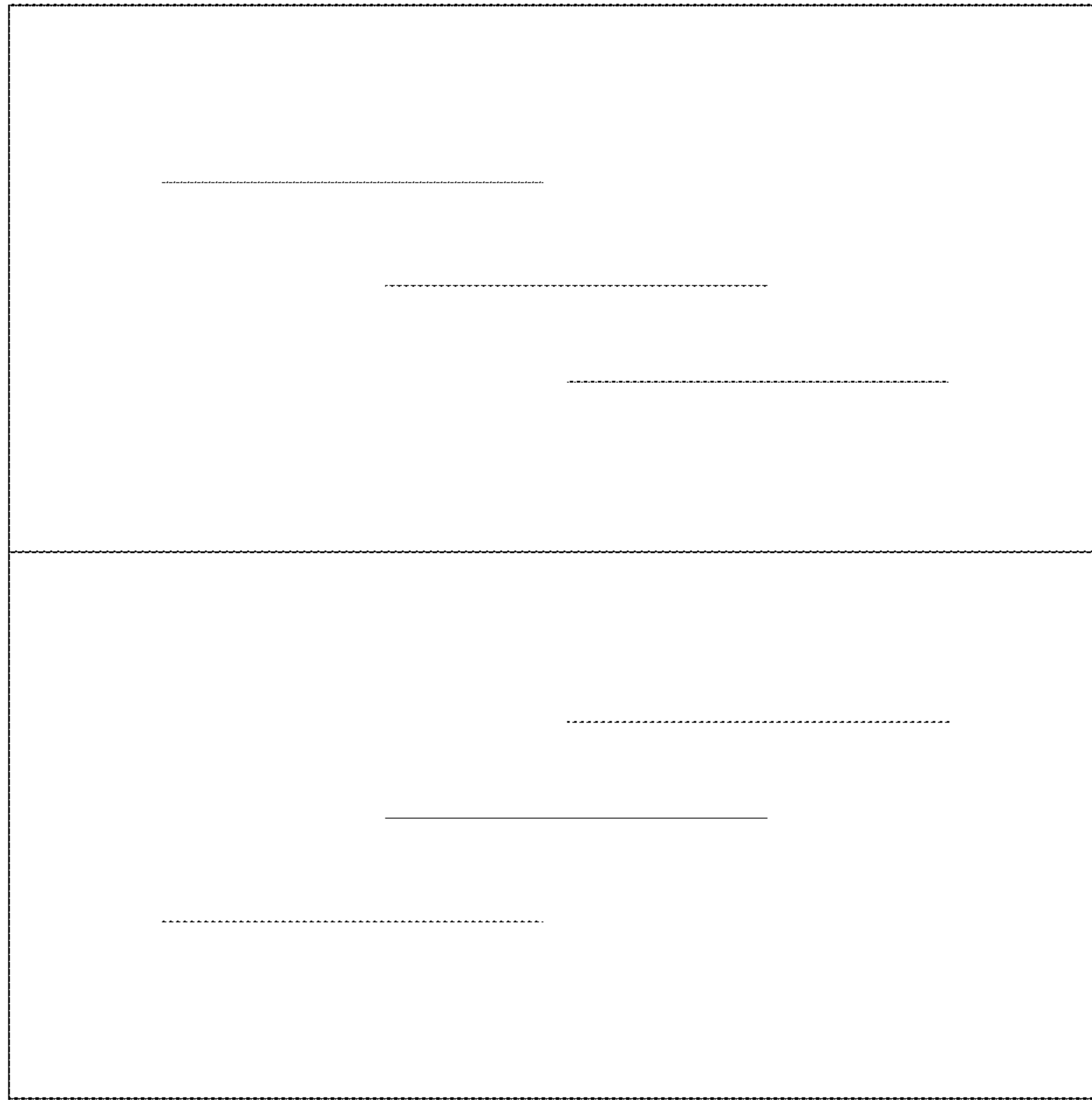


FIG. 6

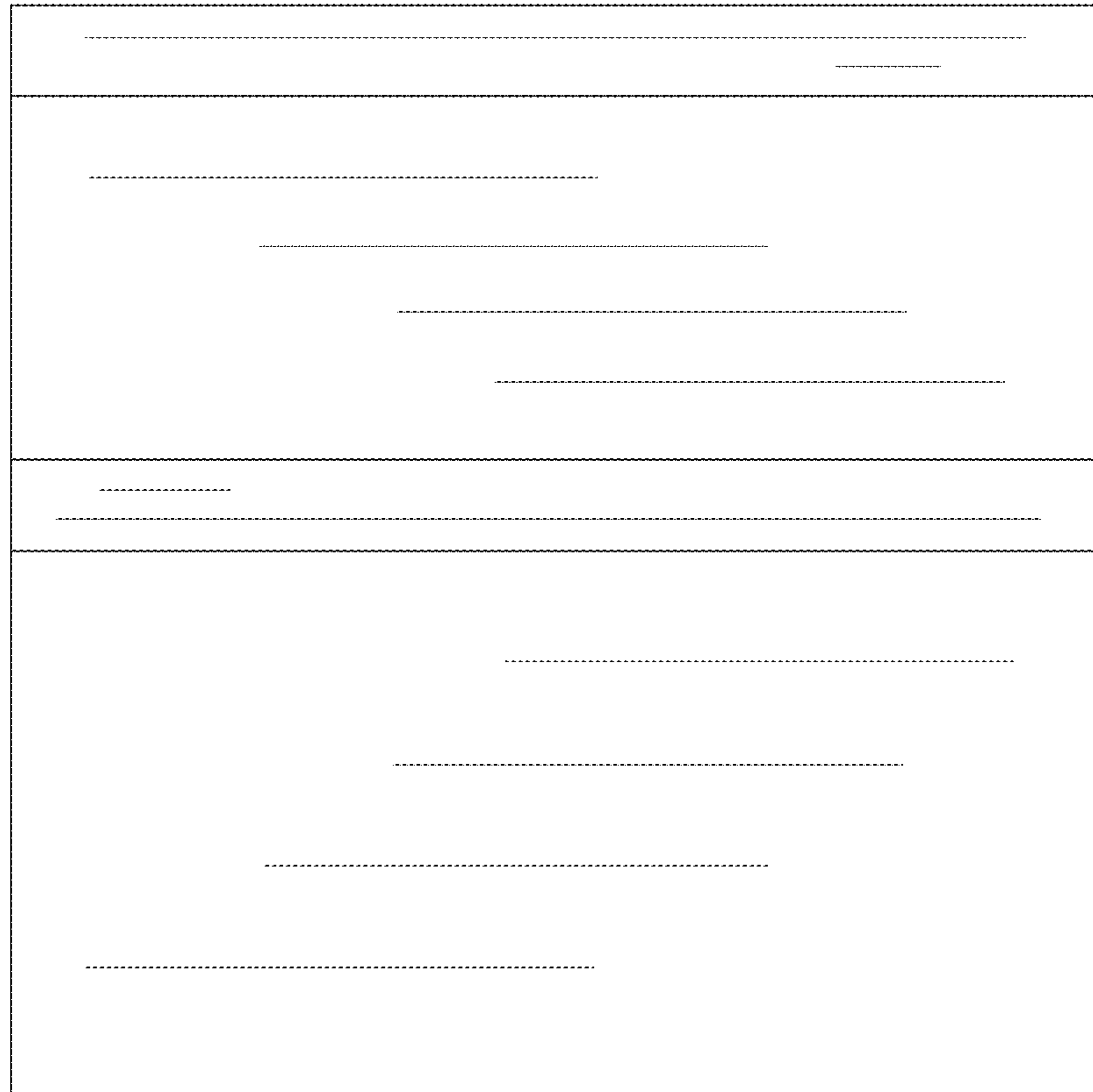


FIG. 7

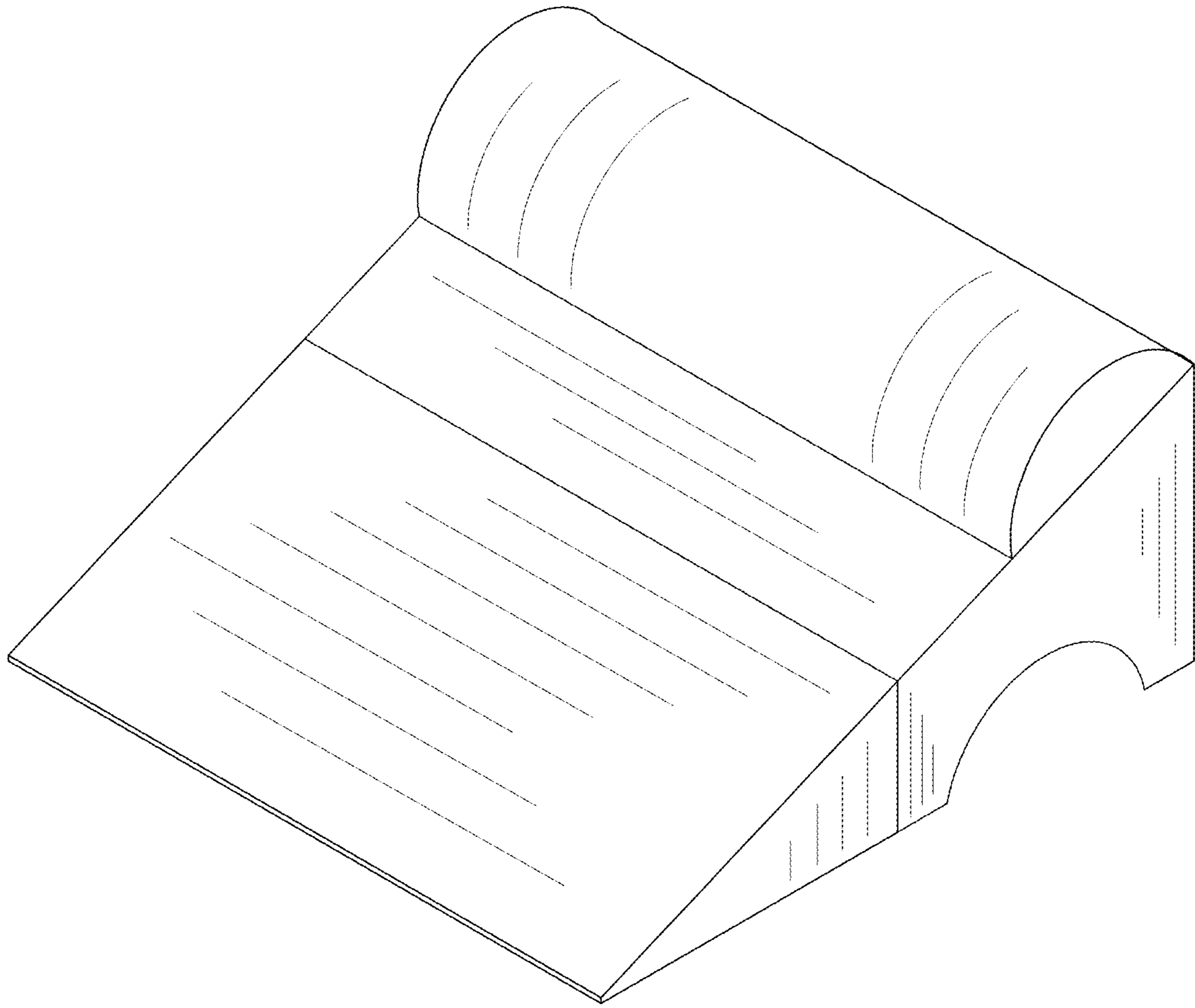


FIG. 8

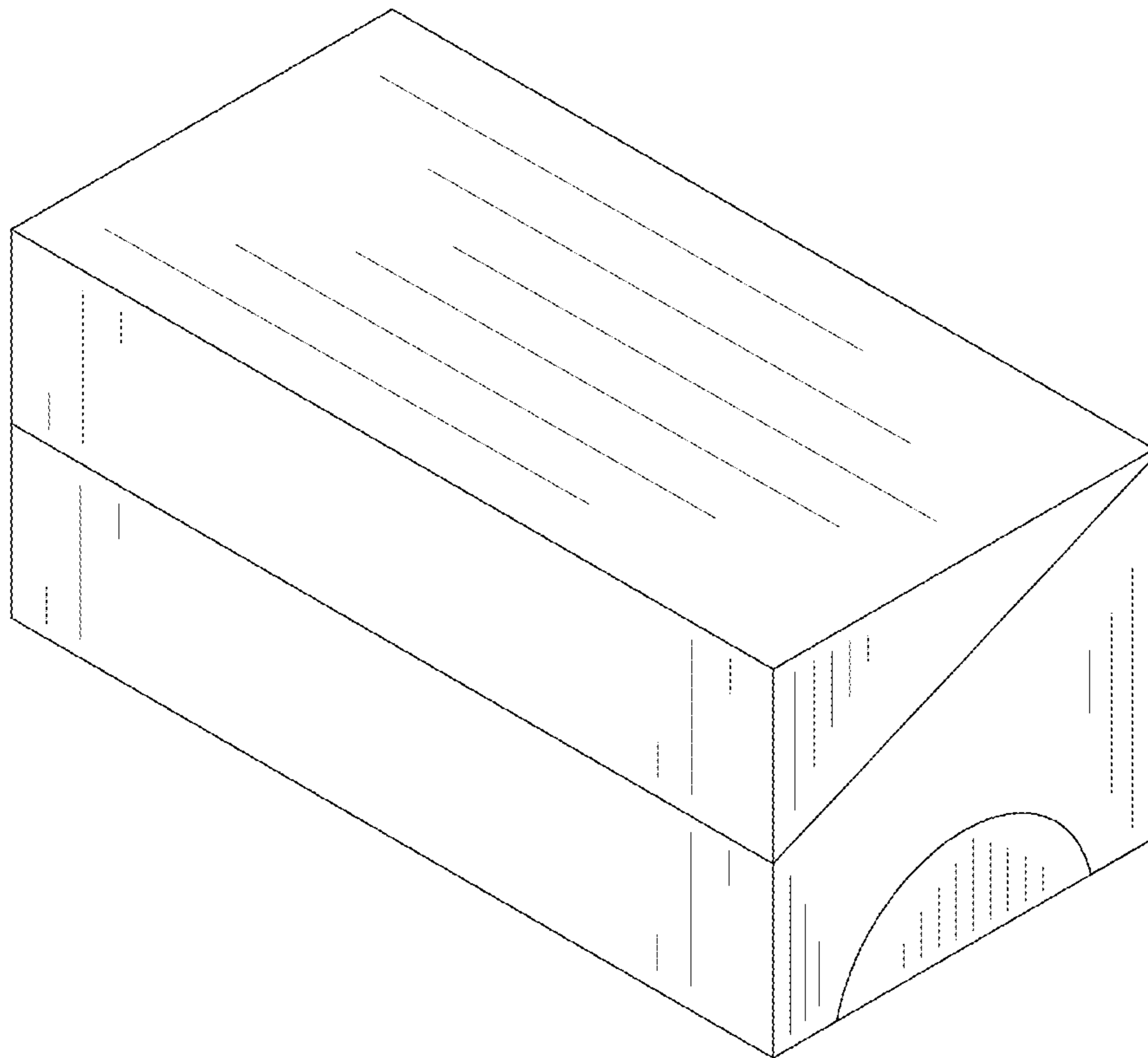


FIG. 9