



US00D882292S

(12) **United States Design Patent**
Ma et al.

(10) **Patent No.:** **US D882,292 S**
(45) **Date of Patent:** **** Apr. 28, 2020**

- (54) **SHOWER CURTAIN**
- (71) Applicant: **Bathroom Servant Corporation,**
Portland, OR (US)
- (72) Inventors: **Cheng-Cheng Ma,** Portland, OR (US);
Teng-Hui Hong, Portland, OR (US)
- (73) Assignee: **Bathroom Servant Corporation,**
Portland, OR (US)
- (**) Term: **15 Years**
- (21) Appl. No.: **29/706,793**
- (22) Filed: **Sep. 24, 2019**
- (51) **LOC (12) Cl.** **06-10**
- (52) **U.S. Cl.**
USPC **D6/580**
- (58) **Field of Classification Search**
USPC D6/575, 578-580
CPC A47H 2023/003; A47H 2023/025; A47H
2201/01; A47H 23/00; A47H 23/01;
A47H 23/05; A47H 23/10; A47K 3/38
See application file for complete search history.

- D655,552 S 3/2012 Beyda
- D655,553 S 3/2012 Beyda
- D668,091 S 10/2012 Zahner
- 8,695,193 B2 * 4/2014 Kress A47H 99/00
112/475.06
- D809,822 S 2/2018 Brown
- 2005/0103452 A1 * 5/2005 Adams A47K 3/38
160/330
- 2009/0288784 A1 * 11/2009 Graneto, III A47H 1/04
160/341
- 2011/0117317 A1 * 5/2011 Kress A47H 23/00
428/122
- 2012/0067531 A1 * 3/2012 Ehram A47H 1/18
160/368.1
- 2016/0183707 A1 * 6/2016 Fenster A47H 23/01
160/350
- 2016/0324357 A1 * 11/2016 Grieshop A01G 9/22

* cited by examiner

Primary Examiner — Kevin K Rudzinski
Assistant Examiner — Clare Ann Gannon
(74) *Attorney, Agent, or Firm* — ScienBiziP, P.C.

(57) **CLAIM**

The ornamental design for a shower curtain, as shown and described.

DESCRIPTION

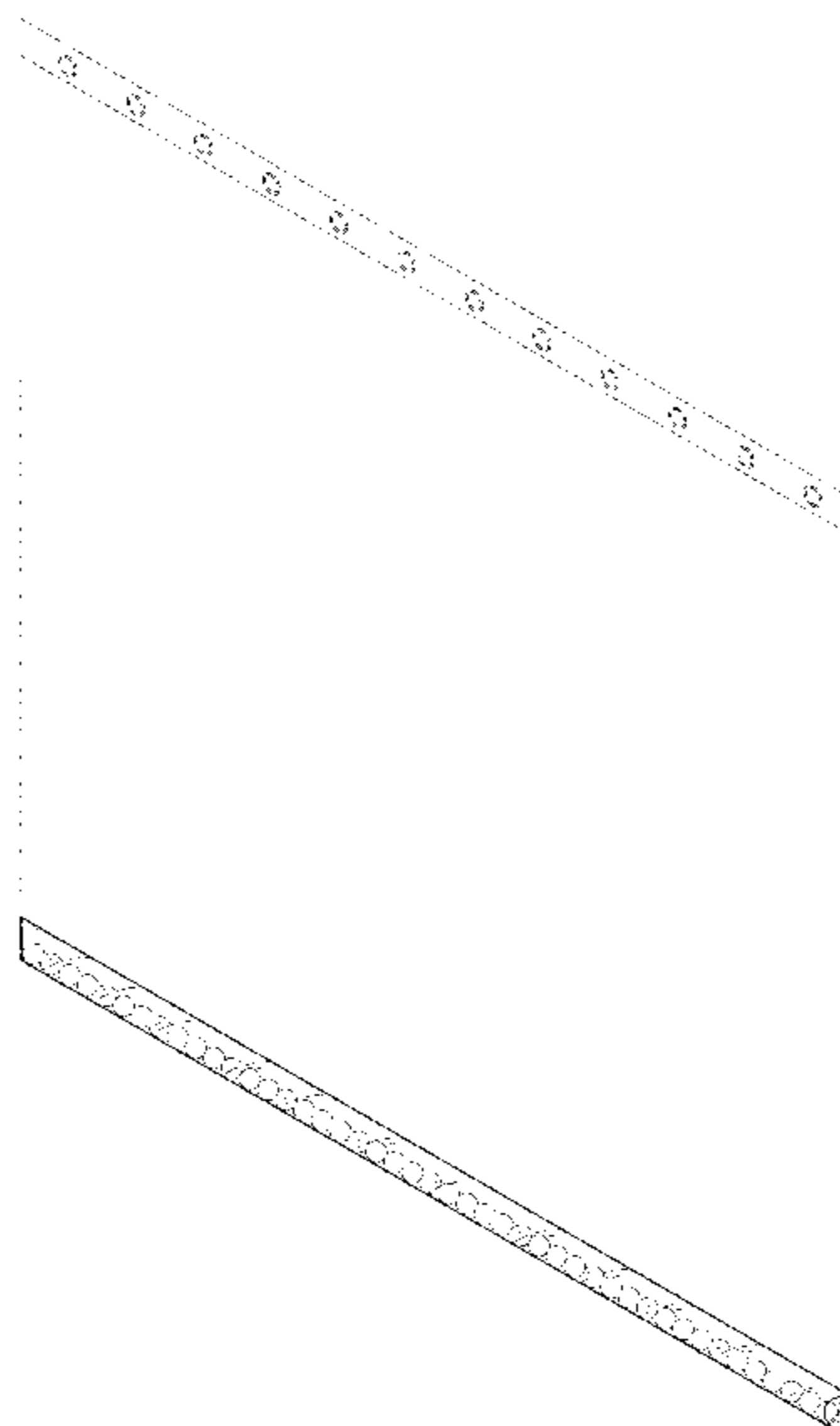
FIG. 1 is a perspective view of a shower curtain, showing our design.
FIG. 2 is a front elevation view thereof.
FIG. 3 is a rear elevation view thereof.
FIG. 4 is a left side elevation view thereof.
FIG. 5 is a right side elevation view thereof.
FIG. 6 is a top plan view thereof.
FIG. 7 is a bottom plan view thereof; and,
FIG. 8 is an enlarged view of a circle labeled 8 in FIG. 3 of the shower curtain.
The broken lines depict portions of the article that form no part of the claimed design.

1 Claim, 8 Drawing Sheets

(56) **References Cited**

U.S. PATENT DOCUMENTS

- 1,436,209 A * 11/1922 Stegemeyer A47H 23/01
160/393
- 1,936,198 A * 11/1933 Kirsch A47H 23/01
160/349.1
- 2,331,295 A * 10/1943 Barker A47H 23/01
160/88
- 2,582,276 A * 1/1952 Powers A47H 23/01
160/243
- 3,872,520 A * 3/1975 Tyconik A47K 3/38
4/610
- 4,229,842 A * 10/1980 Gilmore A47K 3/38
4/558
- D289,842 S 5/1987 Schomaker
- D362,147 S 9/1995 Voccia



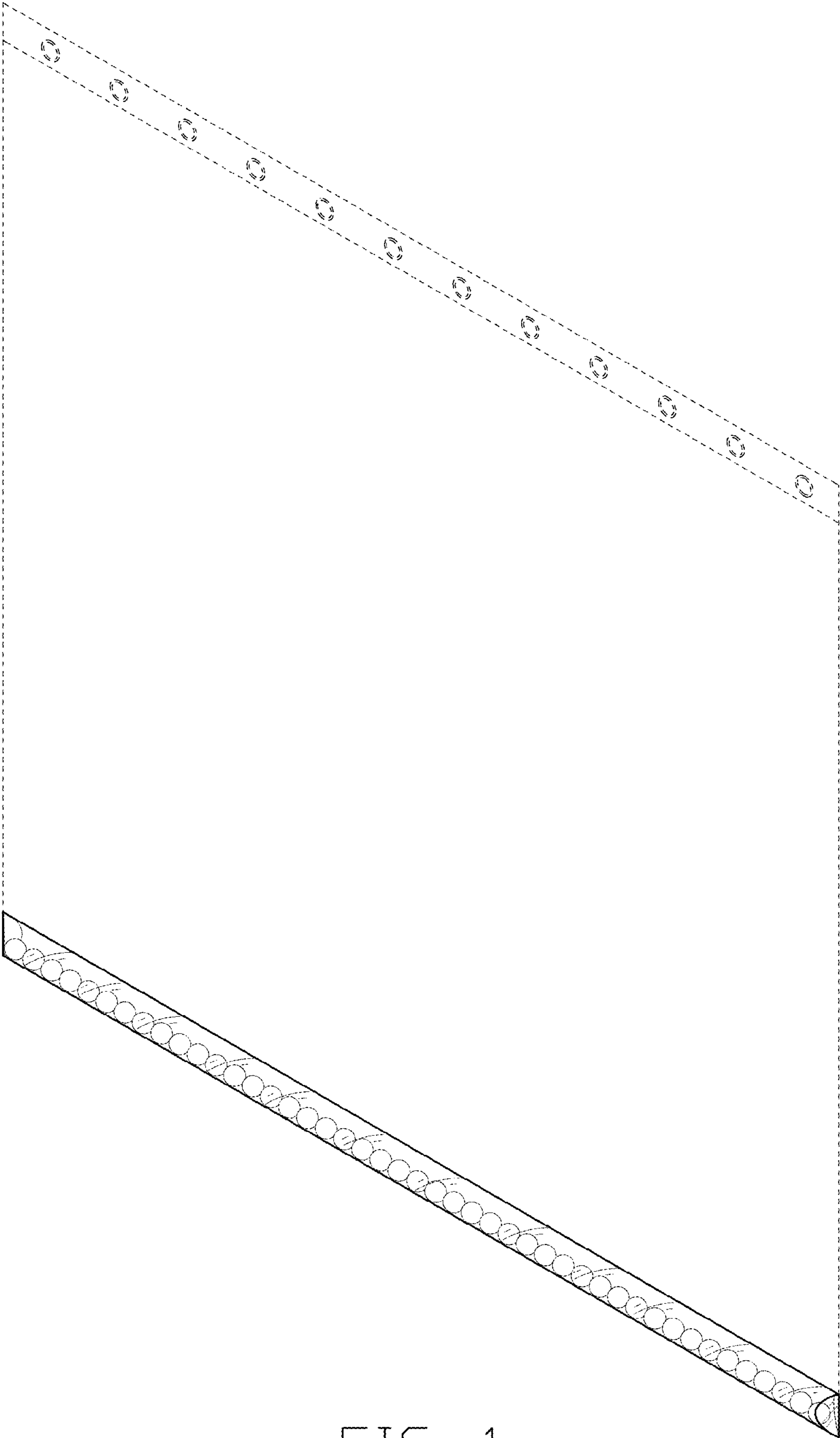


FIG. 1

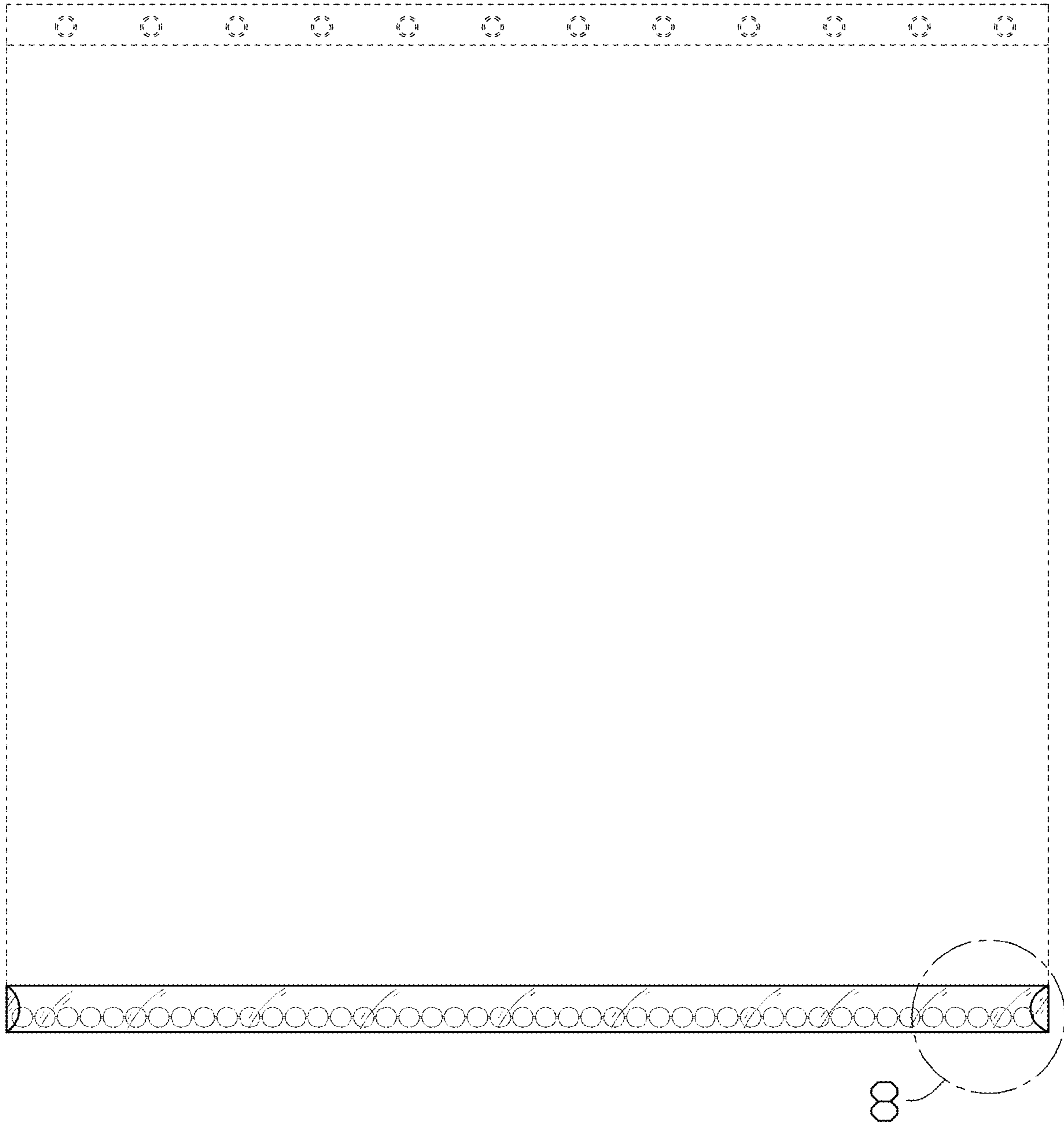


FIG. 2



FIG. 3

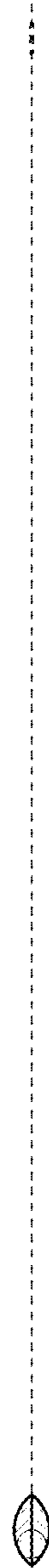


FIG. 4

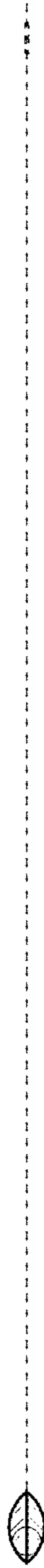


FIG. 5



FIG. 6



FIG. 7

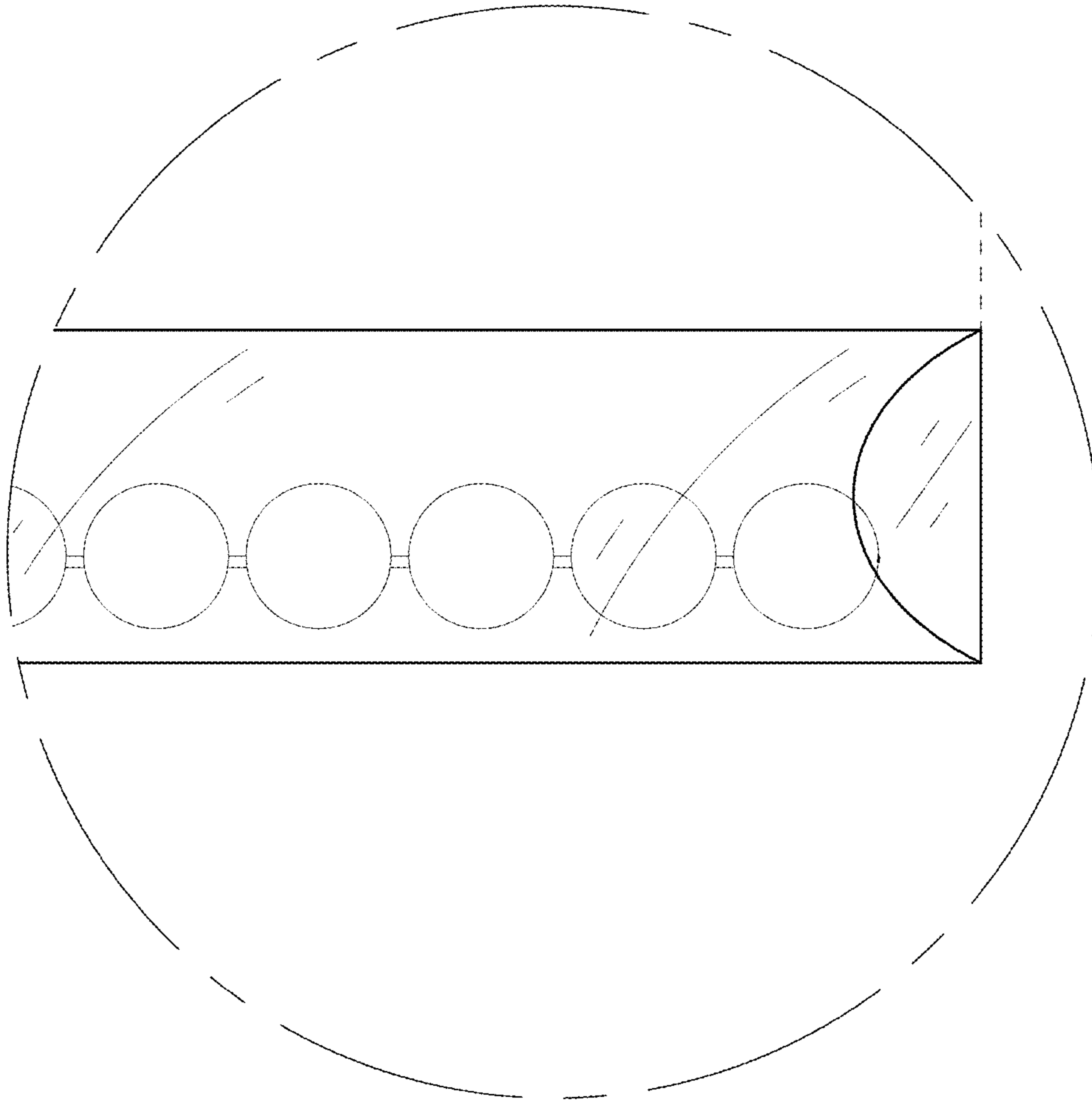


FIG. 8