



US00D882290S

(12) **United States Design Patent**
Nilsson

(10) **Patent No.:** **US D882,290 S**
(45) **Date of Patent:** **** Apr. 28, 2020**

(54) **WALL MOUNTED STORAGE SYSTEM WITH DRAWERS**

4,735,470 A 4/1988 Falk
4,944,566 A 7/1990 Carper
5,074,009 A 12/1991 Simonton et al.

(Continued)

(71) Applicant: **Elfa International AB**, Vastervik (SE)

Primary Examiner — Wan Laymon

(72) Inventor: **Peter Nilsson**, Vastervik (SE)

Assistant Examiner — Mark Booker

(73) Assignee: **Elfa International AB**, Vastervik (SE)

(74) *Attorney, Agent, or Firm* — Hubbard Johnston, PLLC

(**) Term: **15 Years**

(57) **CLAIM**

(21) Appl. No.: **29/607,344**

The ornamental design for a wall mounted storage system with drawers, as shown and described.

(22) Filed: **Jun. 12, 2017**

DESCRIPTION

(51) **LOC (12) Cl.** **06-04**

(52) **U.S. Cl.**

USPC **D6/560**

(58) **Field of Classification Search**

USPC D6/560, 663, 664, 664.1, 671, 671.1, 671.2, 671.3, 671.4, 705, 705.51; D3/297, 304-315, 317, 319, 302; D19/75, 77, 78, 83, 86, 92; 206/511, 206/557, 560, 510, 513, 503; 211/1, 10, 211/13.1, 69.1, 69.5, 70, 70.1, 70.6, 74, 211/77, 78, 85.1, 85.2, 85.4, 85.5, 85.31, 211/126.9, 126.11, 126.15, 129.1, 131.1, 211/133.2, 133.4, 134, 133.5, 133.6, 182; 312/323, 330.1, 334.1, 334.27, 408, 410, 312/334.44; D7/392, 397, 589, 590, 596, D7/597, 600, 600.1, 705.5, 705.4; D32/25; D15/89; D34/27
CPC A47B 17/04; A47B 47/03; A47B 67/00; A47B 67/04; A47B 88/00; A47B 88/40; A47B 77/00

See application file for complete search history.

FIG. 1 is a front perspective view of the wall mounted storage system with drawers and a basket mounted in each drawer to show environment;
FIG. 2 is a front elevation view of the wall mounted storage system with drawers;
FIG. 3 is a rear elevation view of the wall mounted storage system with drawers;
FIG. 4 is a right side view of the wall mounted storage system with drawers;
FIG. 5 is a left side view of the wall mounted storage system with drawers;
FIG. 6 is a top plan view of the wall mounted storage system with drawers;
FIG. 7 is a bottom plan view of the wall mounted storage system with drawers; and,
FIG. 8 is a front perspective view of the wall mounted storage system with drawers.

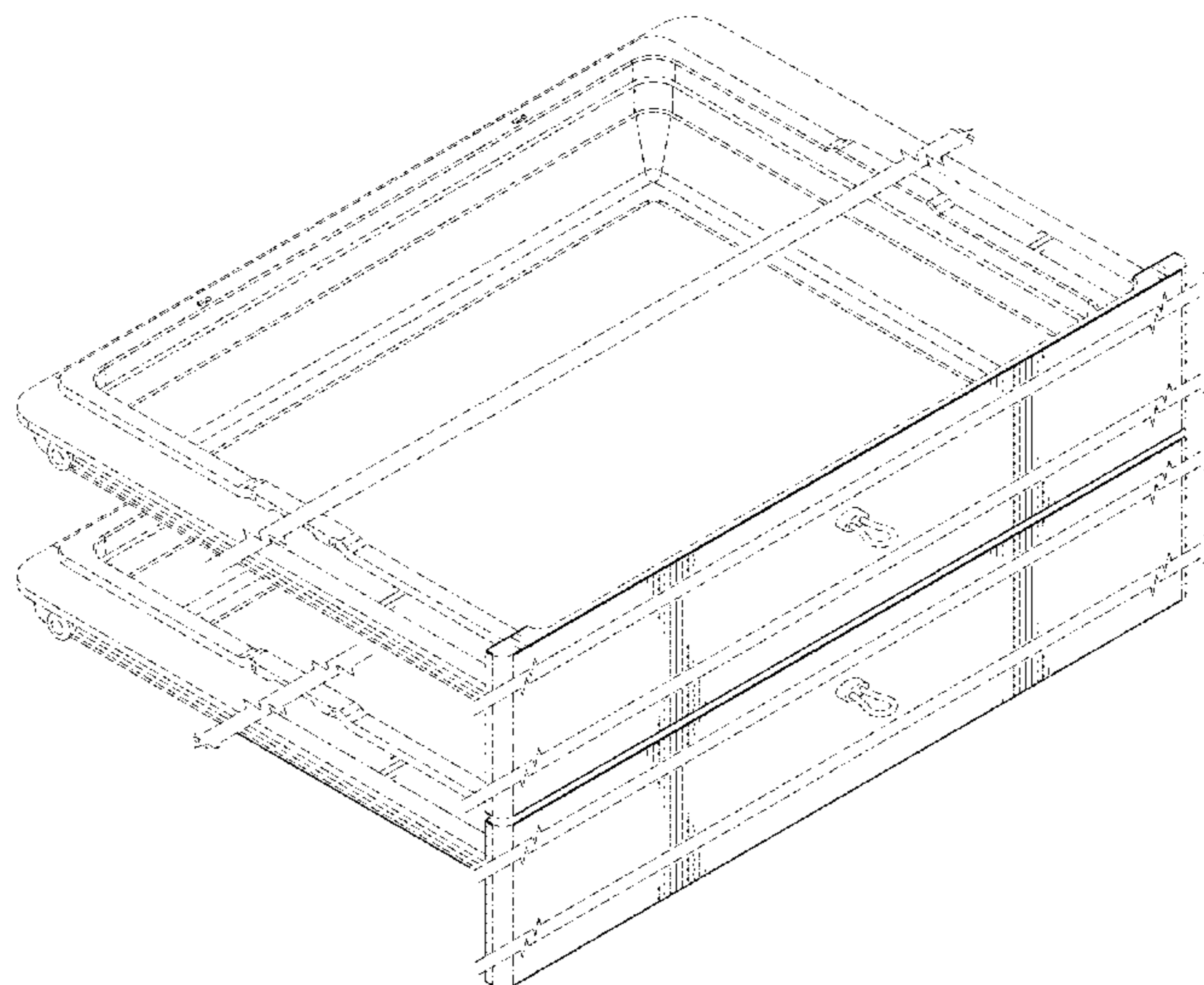
The broken away symbols in the drawings indicate that any portion of the wall mounted storage system with drawers beyond what is shown forms no part of the claimed design. The dot-dash-dot broken lines represent boundaries to the claimed design and form no part of the claimed design. The dash-broken lines shown in the figures represent portions of the wall mounted storage system with drawers that form no part of the claimed design.

(56) **References Cited**

U.S. PATENT DOCUMENTS

2,562,290 A 7/1951 Dickerson
2,661,993 A 12/1953 Little
3,278,248 A 10/1966 Tibor
4,312,086 A 1/1982 Bianco

1 Claim, 8 Drawing Sheets



(56)

References Cited

U.S. PATENT DOCUMENTS

5,551,772	A	9/1996	Keifer	
6,428,128	B1	8/2002	Henriott et al.	
6,497,185	B1	12/2002	Barrett et al.	
D479,932	S *	9/2003	Clucas	D6/560
D529,254	S *	9/2006	Huguet	D34/27
D577,936	S *	10/2008	Held	D6/705.4
D674,626	S *	1/2013	Gasser	D6/705.5
D680,361	S	4/2013	Zobel et al.	
D684,402	S *	6/2013	Gasser	D6/705
D684,403	S *	6/2013	Gasser	D6/705
D722,831	S *	2/2015	Tuang	D7/600.1
D732,864	S	6/2015	Clouse et al.	
D733,431	S	7/2015	Kokenge	
9,131,771	B2	9/2015	Lindblom	
D761,236	S	7/2016	Wengreen	
D766,634	S	9/2016	Nilsson et al.	
D770,206	S	11/2016	Nilsson et al.	
D784,745	S	4/2017	Nilsson et al.	
D785,605	S	5/2017	Hochman et al.	
D789,718	S	6/2017	Gokhale et al.	
D800,185	S *	10/2017	Onrat	D15/89
D801,094	S	10/2017	Verna	
D808,697	S	1/2018	Heckler	
D809,672	S	2/2018	Brennan et al.	
2002/0043914	A1	4/2002	Munday et al.	
2015/0296982	A1	10/2015	Chen et al.	

* cited by examiner

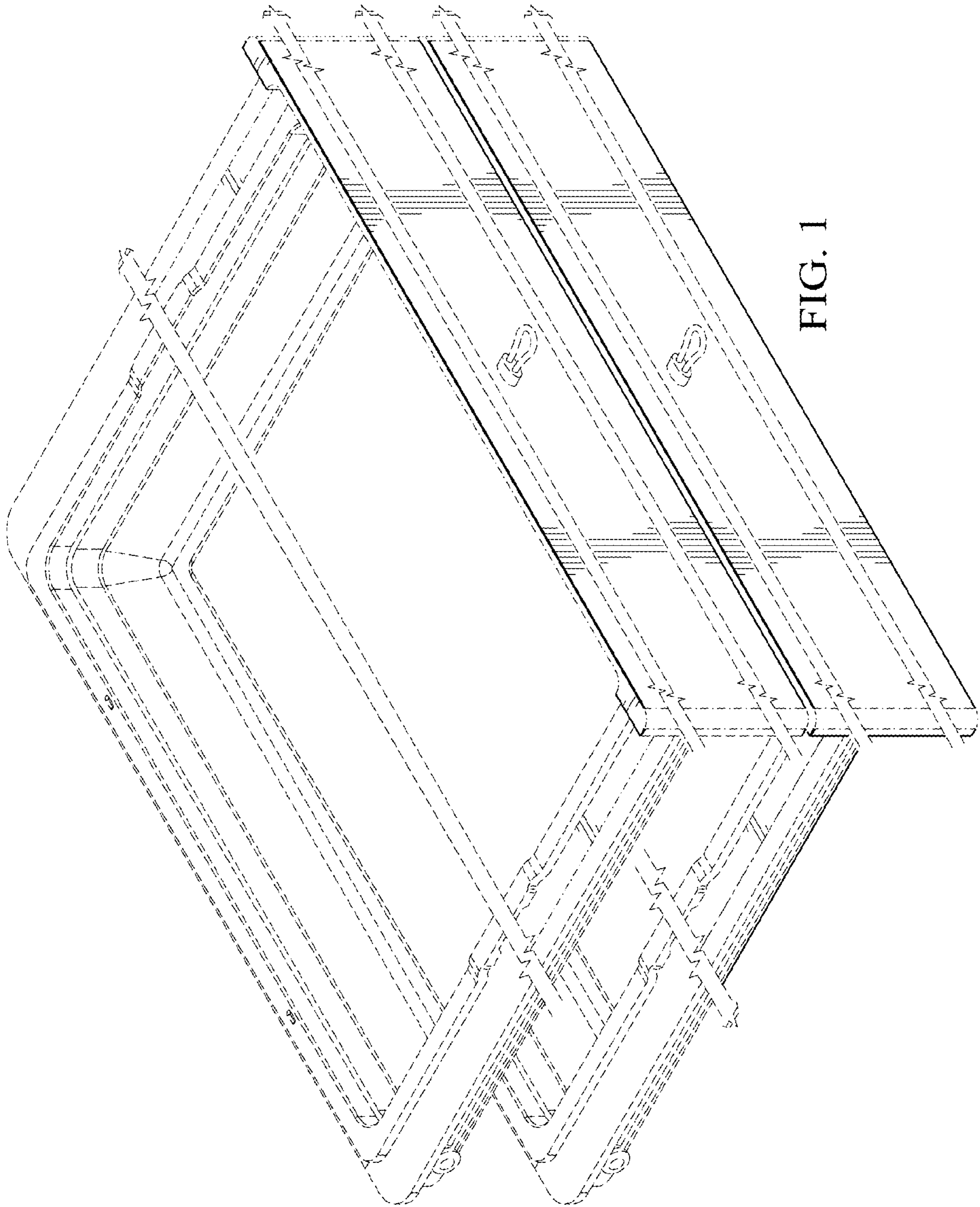


FIG. 1

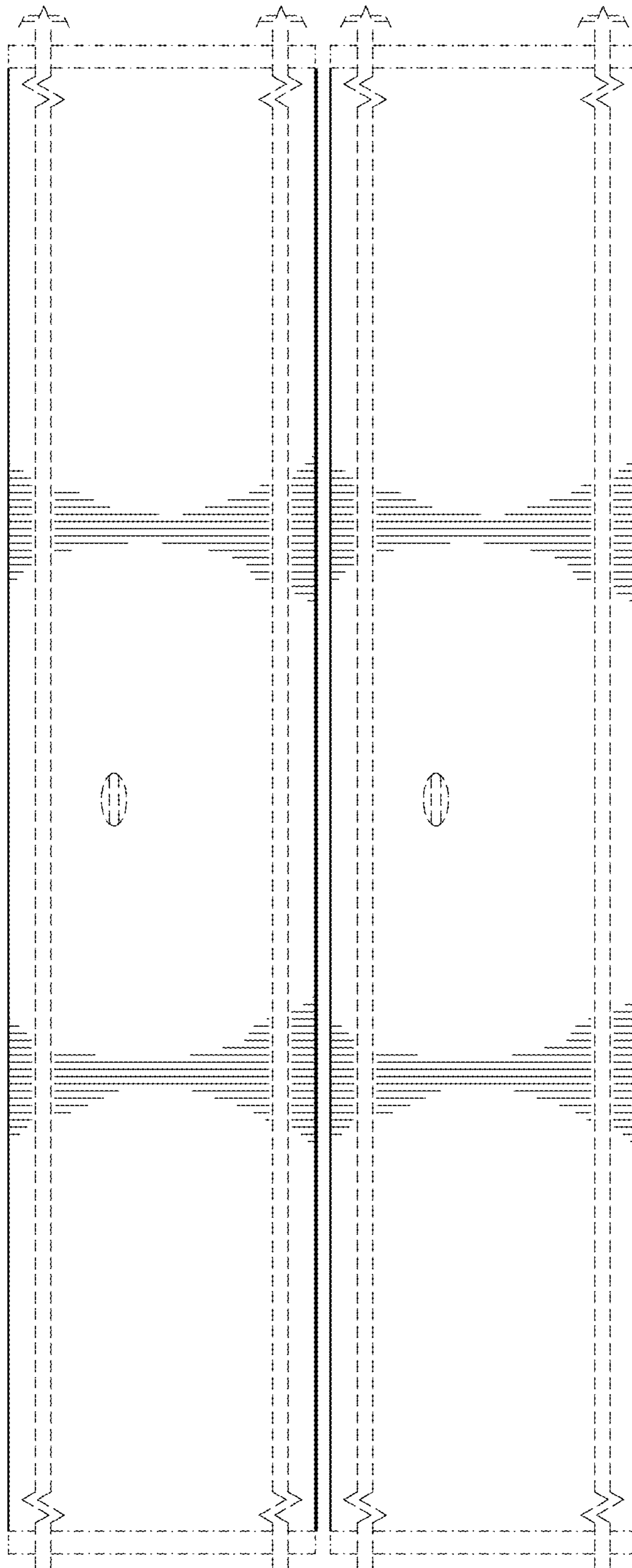


FIG. 2

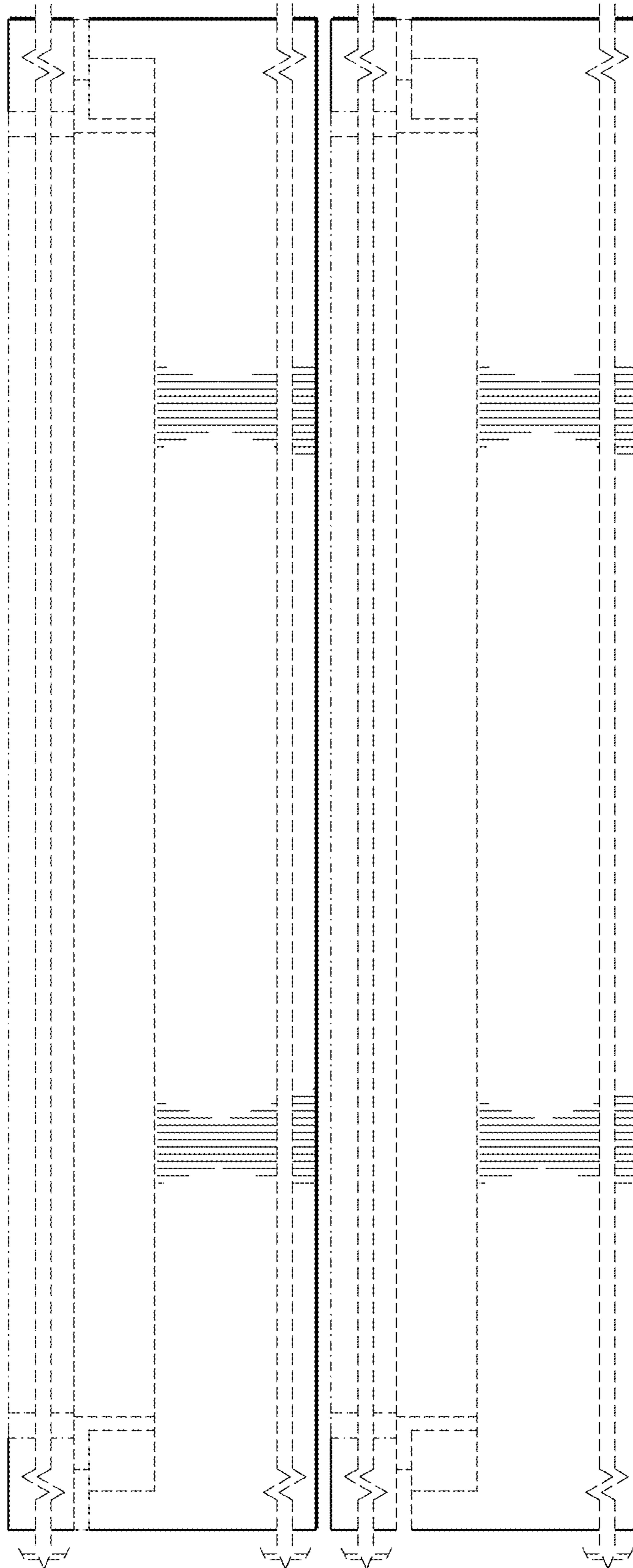


FIG. 3

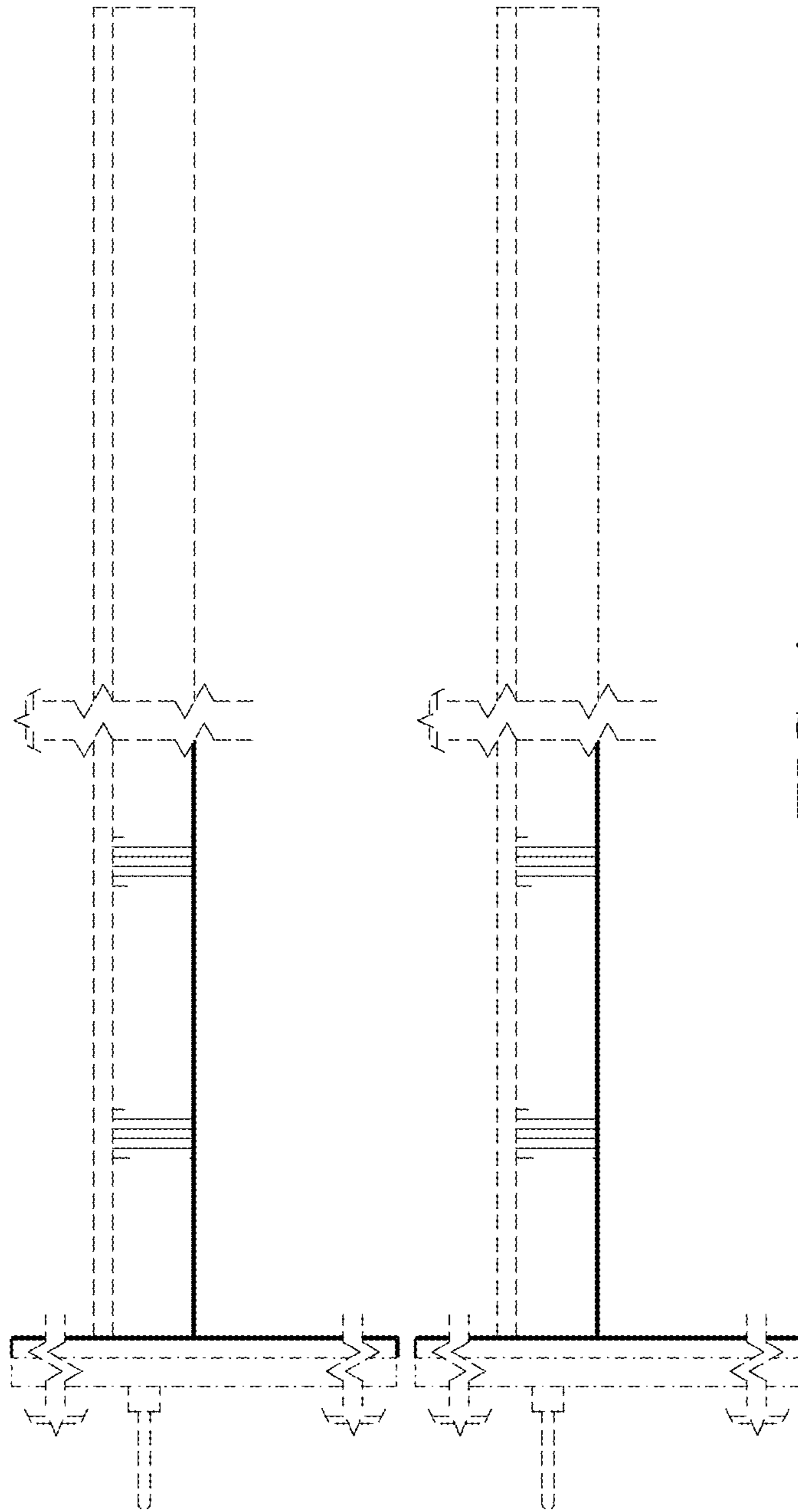


FIG. 4

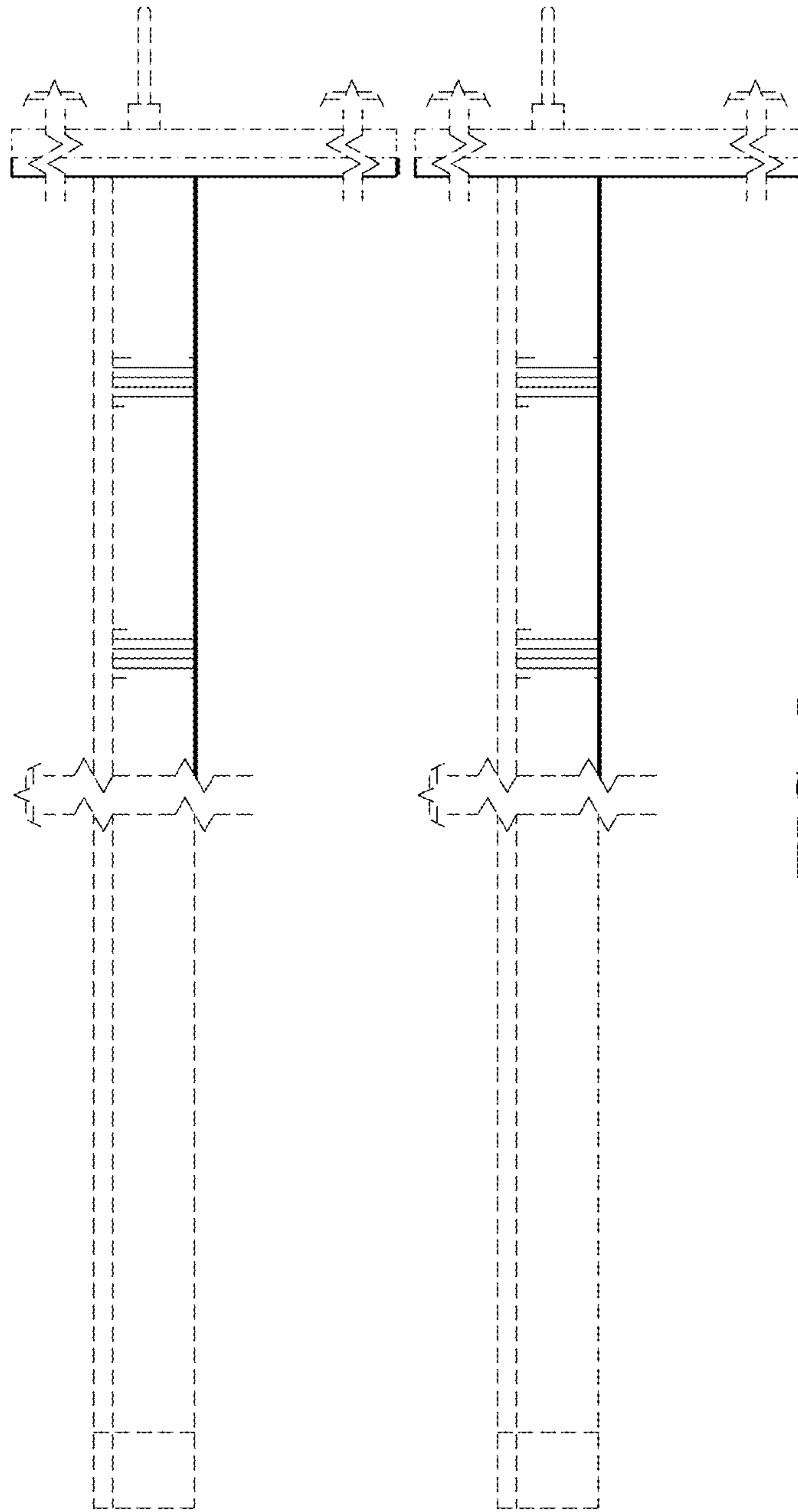


FIG. 5

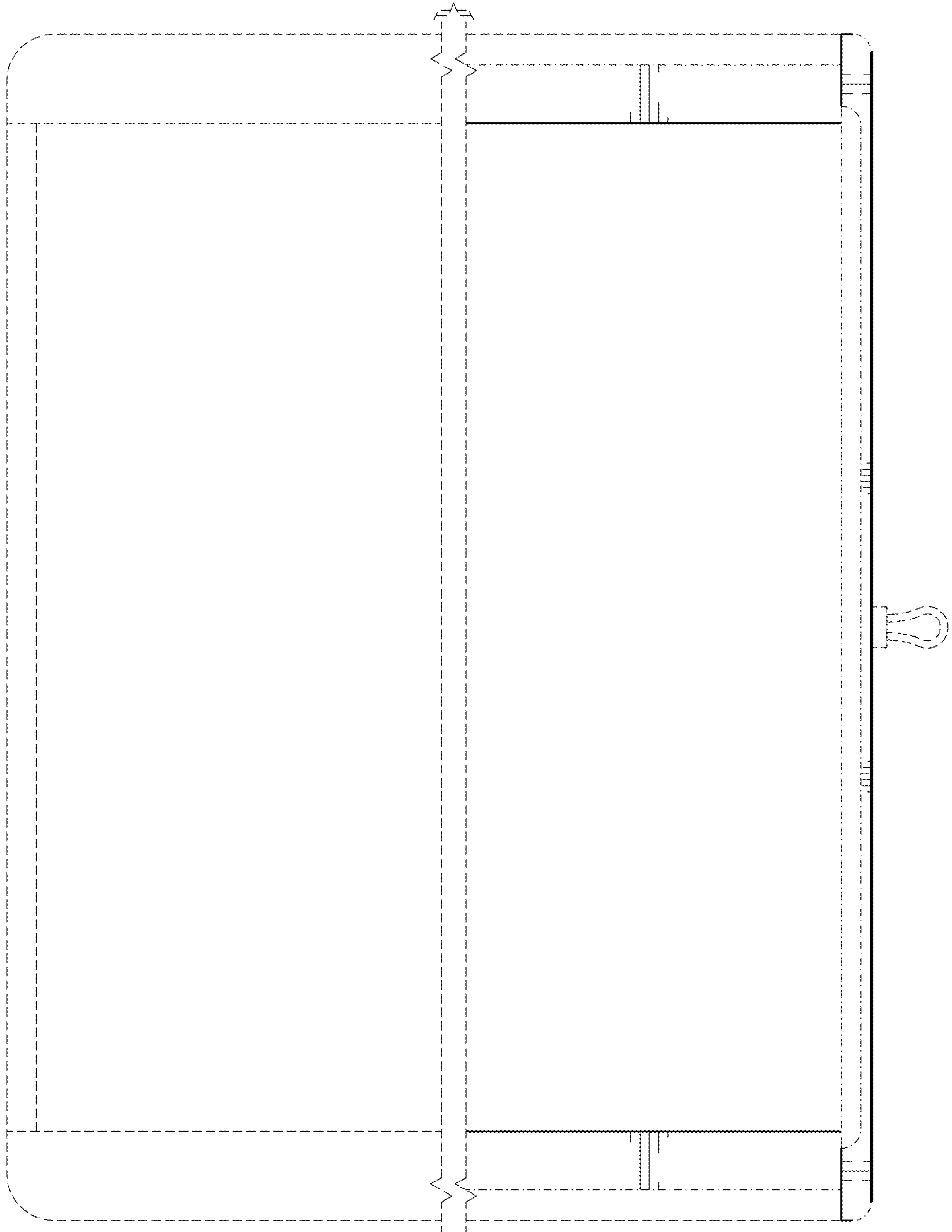


FIG. 6

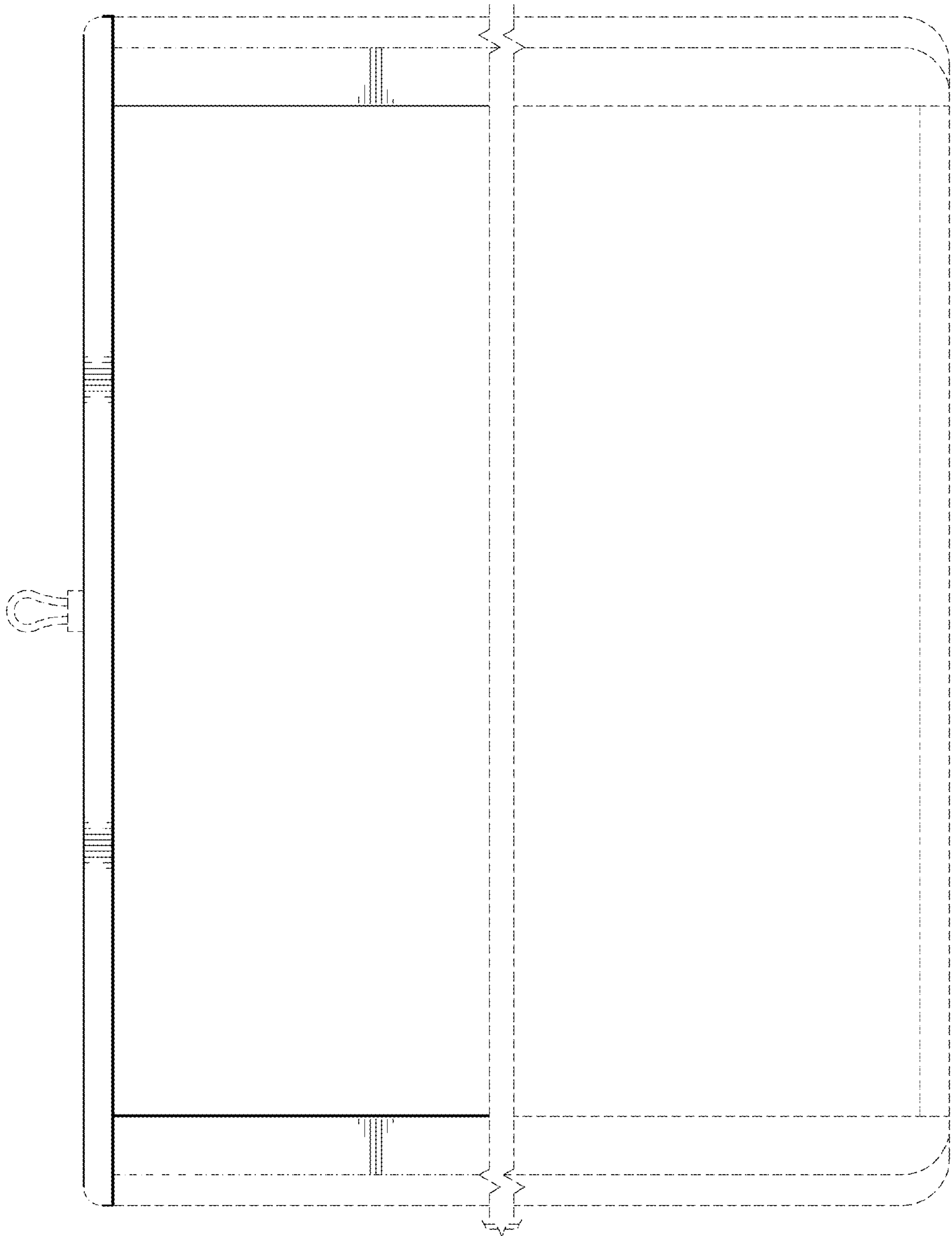


FIG. 7

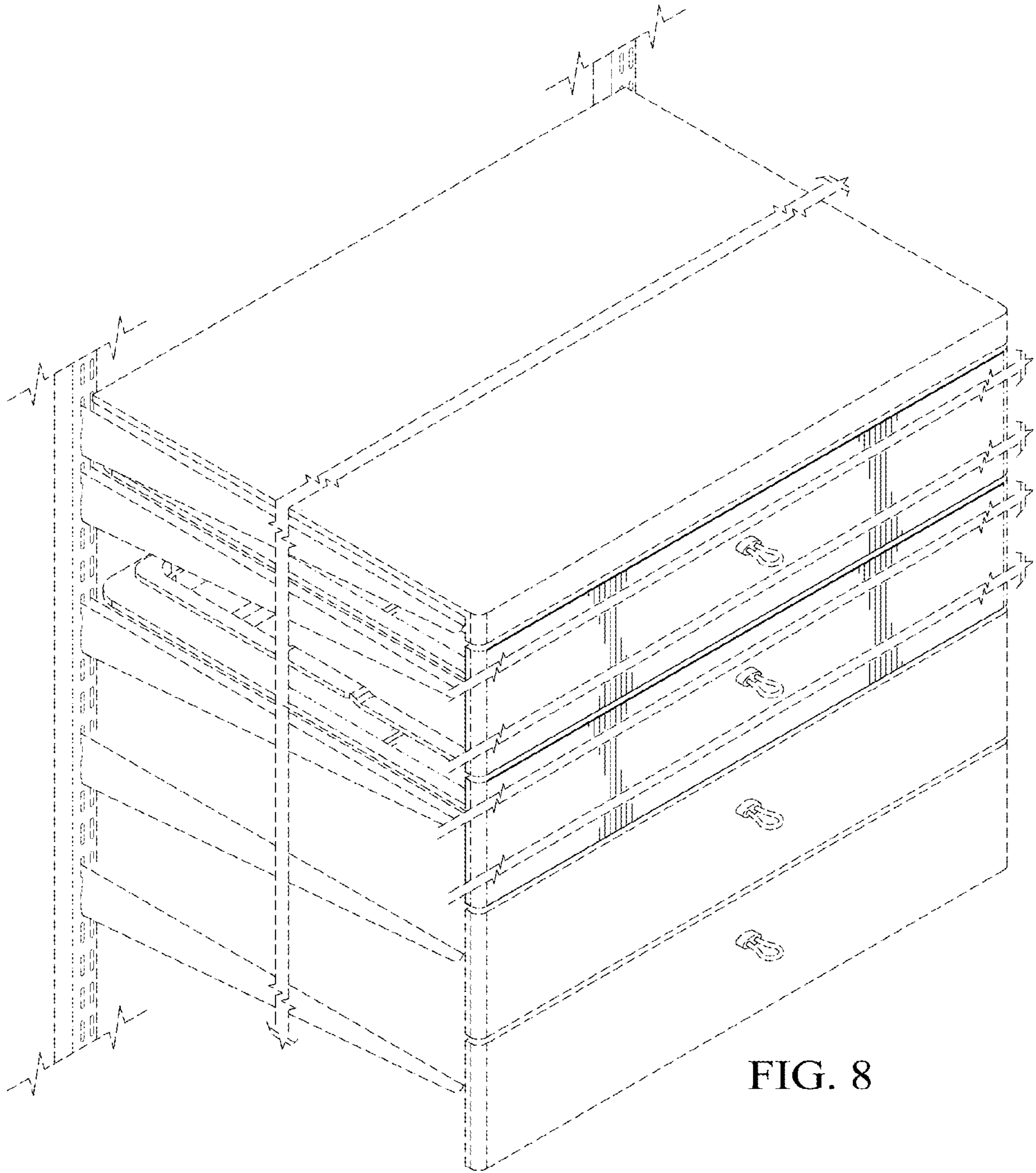


FIG. 8