



US00D882289S

(12) **United States Design Patent**  
**Klosterbuer et al.**

(10) **Patent No.:** **US D882,289 S**  
(45) **Date of Patent:** **\*\* Apr. 28, 2020**

(54) **MICRO-SPILL PREVENTION TROUGH**

(71) Applicant: **James Darwin Klosterbuer**, Luverne, MN (US)

(72) Inventors: **James Darwin Klosterbuer**, Luverne, MN (US); **Brian L. Douglass**, Spicer, MN (US)

(73) Assignee: **James Darwin Klosterbuer**, Luverne, MN (US)

(\*\*) Term: **15 Years**

(21) Appl. No.: **29/670,025**

(22) Filed: **Nov. 13, 2018**

(51) **LOC (12) Cl.** ..... **06-04**

(52) **U.S. Cl.**  
USPC ..... **D6/553**

(58) **Field of Classification Search**  
USPC ..... D6/553; D7/300, 302, 316, 317, 392, D7/392.1, 507, 509, 510, 602, 619.1; D9/434-436, 439, 517, 529; 222/1, 92, 222/96, 178, 222, 465.1, 490, 498, 500, 222/566, 567, 570; 220/603, 360  
CPC ..... F16K 31/46; F16K 31/60; B65D 19/02; A47G 19/2272  
See application file for complete search history.

(56) **References Cited**

**U.S. PATENT DOCUMENTS**

D286,120 S \* 10/1986 Szablak ..... D6/553  
5,924,589 A \* 7/1999 Gordon ..... A62C 2/065  
220/23.87  
2005/0067419 A1\* 3/2005 Gordon ..... A47G 19/2272  
220/717

2016/0123493 A1\* 5/2016 Qian ..... B65D 77/061  
220/600  
2017/0305659 A1\* 10/2017 Sadkowski ..... B65D 77/06

\* cited by examiner

*Primary Examiner* — Wan Laymon  
*Assistant Examiner* — Mark Booker  
(74) *Attorney, Agent, or Firm* — Tarolli, Sundheim, Covell & Tummino LLP; Samantha R. Smart, Esq.

(57) **CLAIM**

The ornamental design for a micro-spill prevention trough, as shown and described.

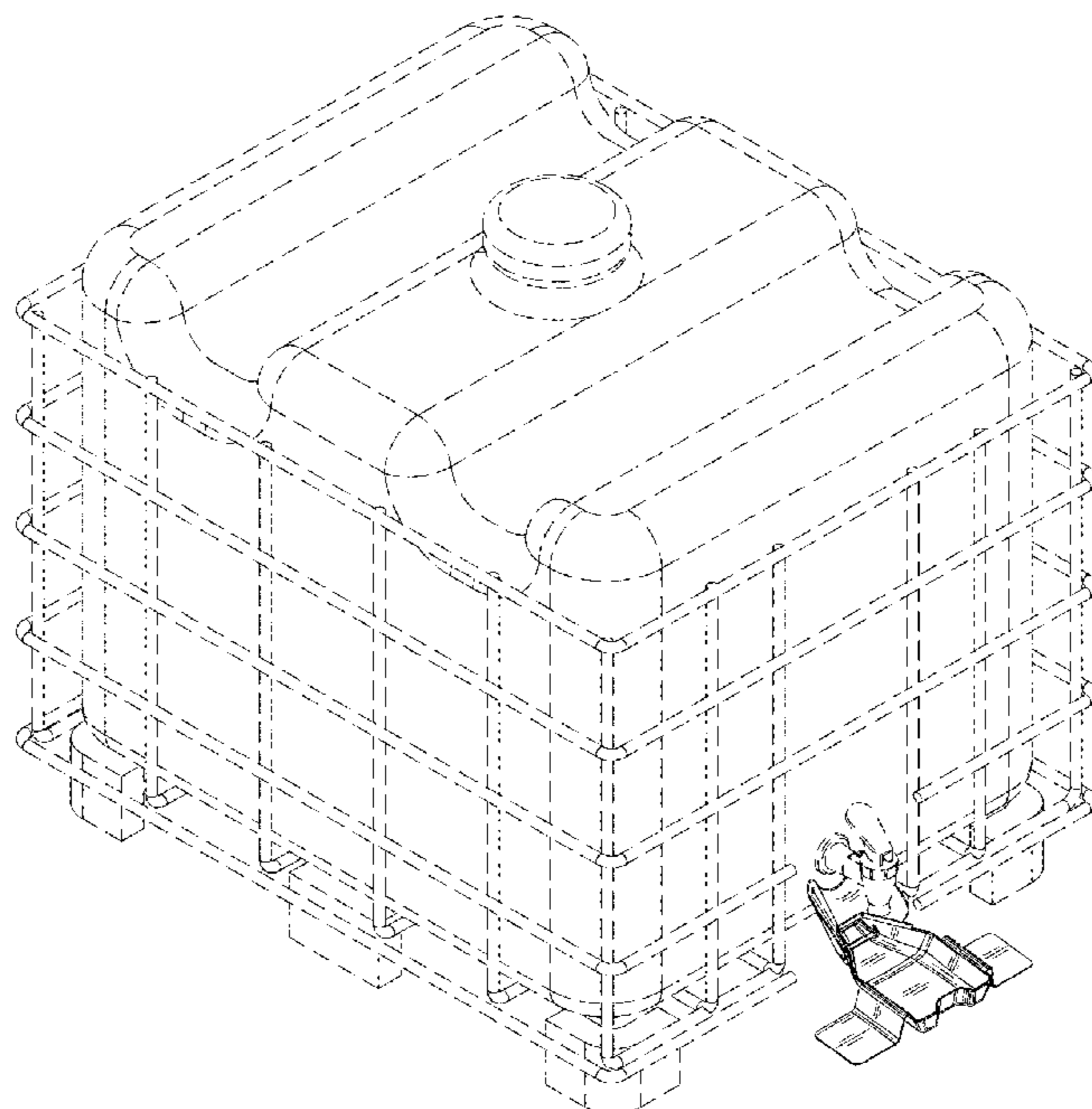
**DESCRIPTION**

FIG. 1 is a top left perspective view of a micro-spill prevention trough in accordance with one usage environment;

FIG. 2 is a top left perspective view thereof;  
FIG. 3 is a top right perspective view thereof;  
FIG. 4 is a bottom left perspective view thereof;  
FIG. 5 is a bottom right perspective view thereof;  
FIG. 6 is a front elevation view thereof;  
FIG. 7 is a rear elevation view thereof;  
FIG. 8 is a top plan view thereof;  
FIG. 9 is a bottom plan view thereof;  
FIG. 10 is a left side elevation view thereof;  
FIG. 11 is a right side elevation view thereof;  
FIG. 12 is a cross-section of a left side elevation view thereof taken along lines 12-12 of FIG. 9;  
FIG. 13 is a cross-section of a rear elevation view thereof taken along lines 13-13 of FIG. 9; and,  
FIG. 14 is a top left perspective view of a micro-spill prevention unit.

In the drawings, the broken lines depict environmental subject matter only and form no part of the claimed design.

**1 Claim, 9 Drawing Sheets**



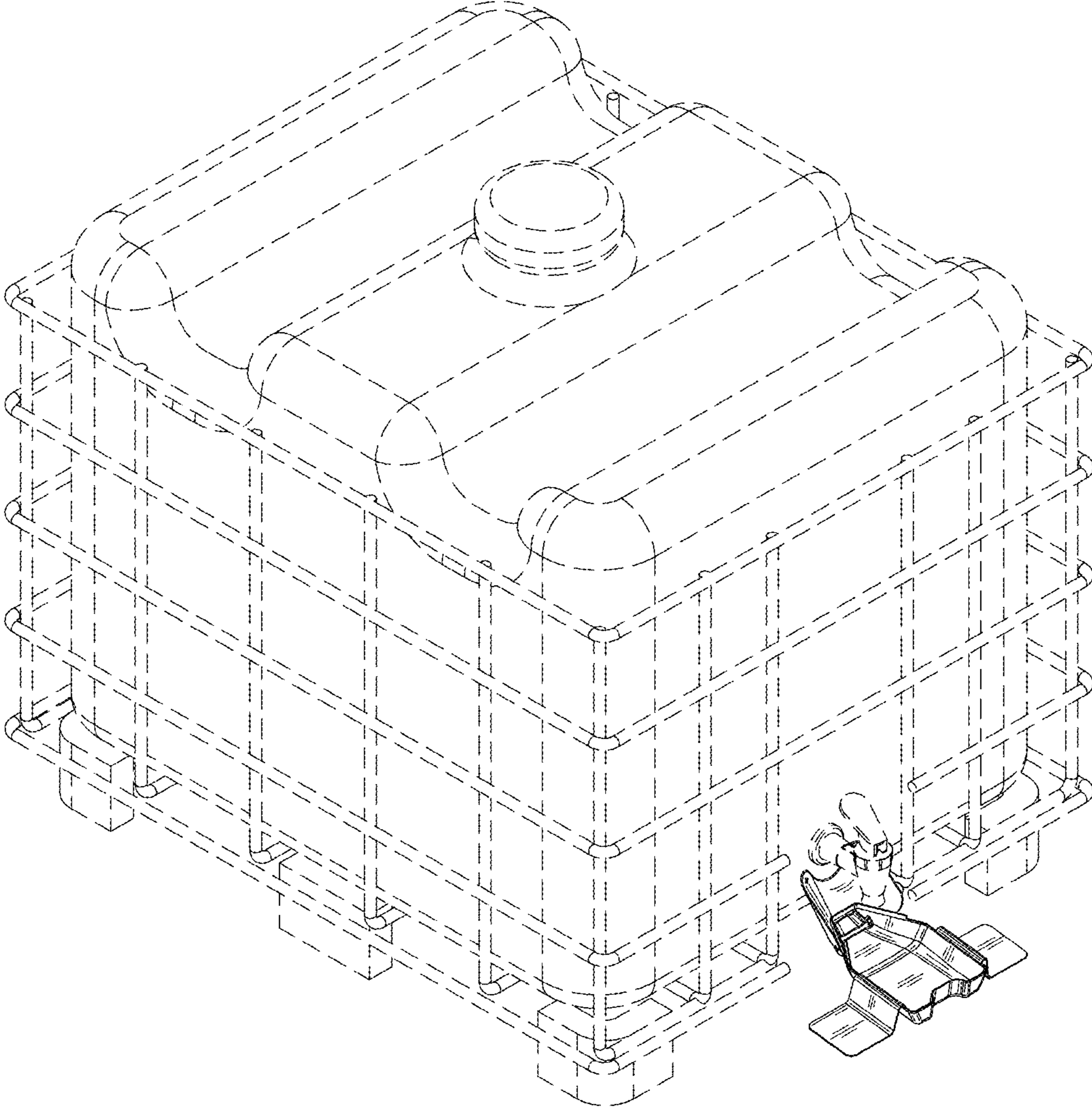


FIG. 1

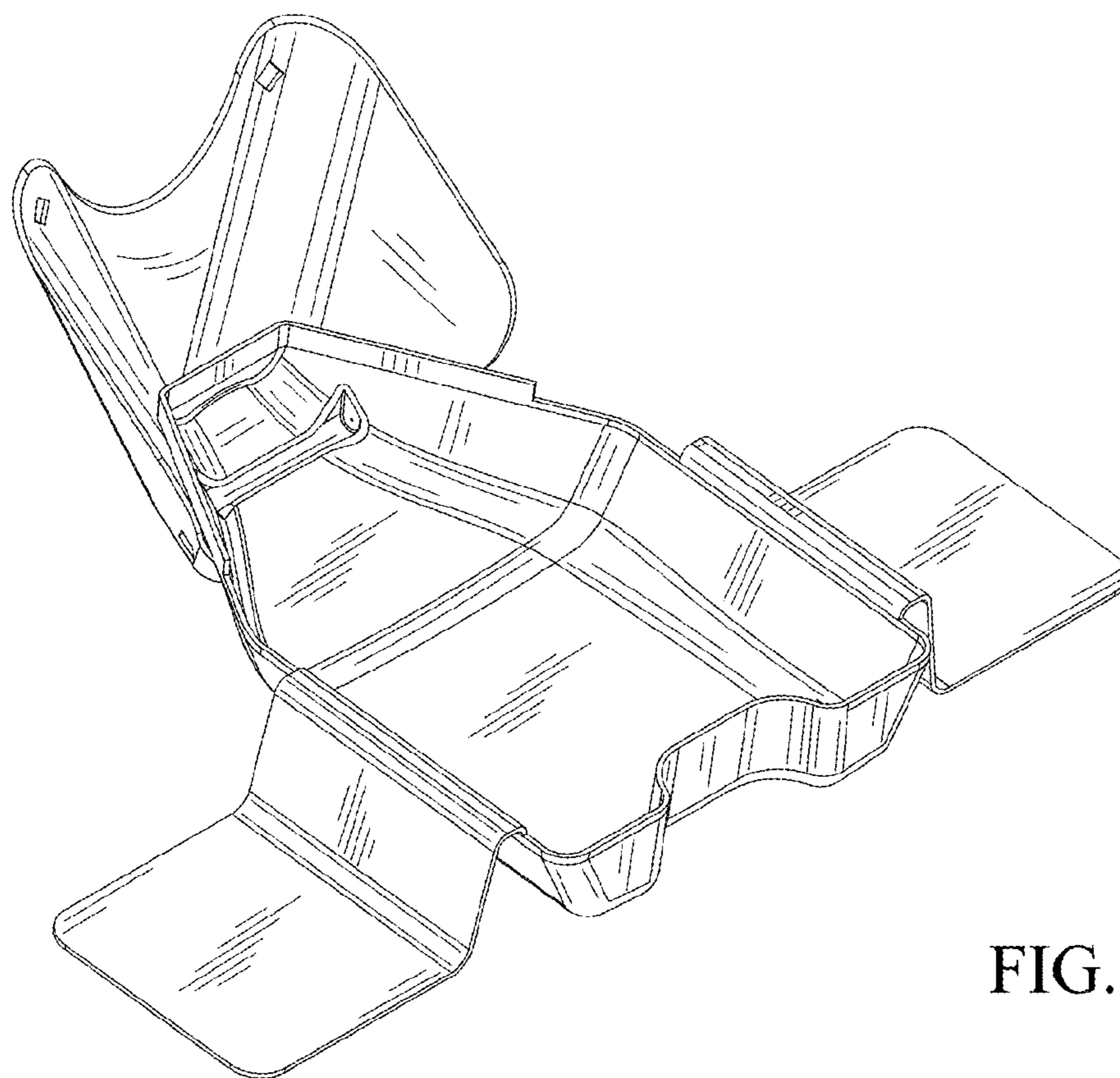


FIG. 2

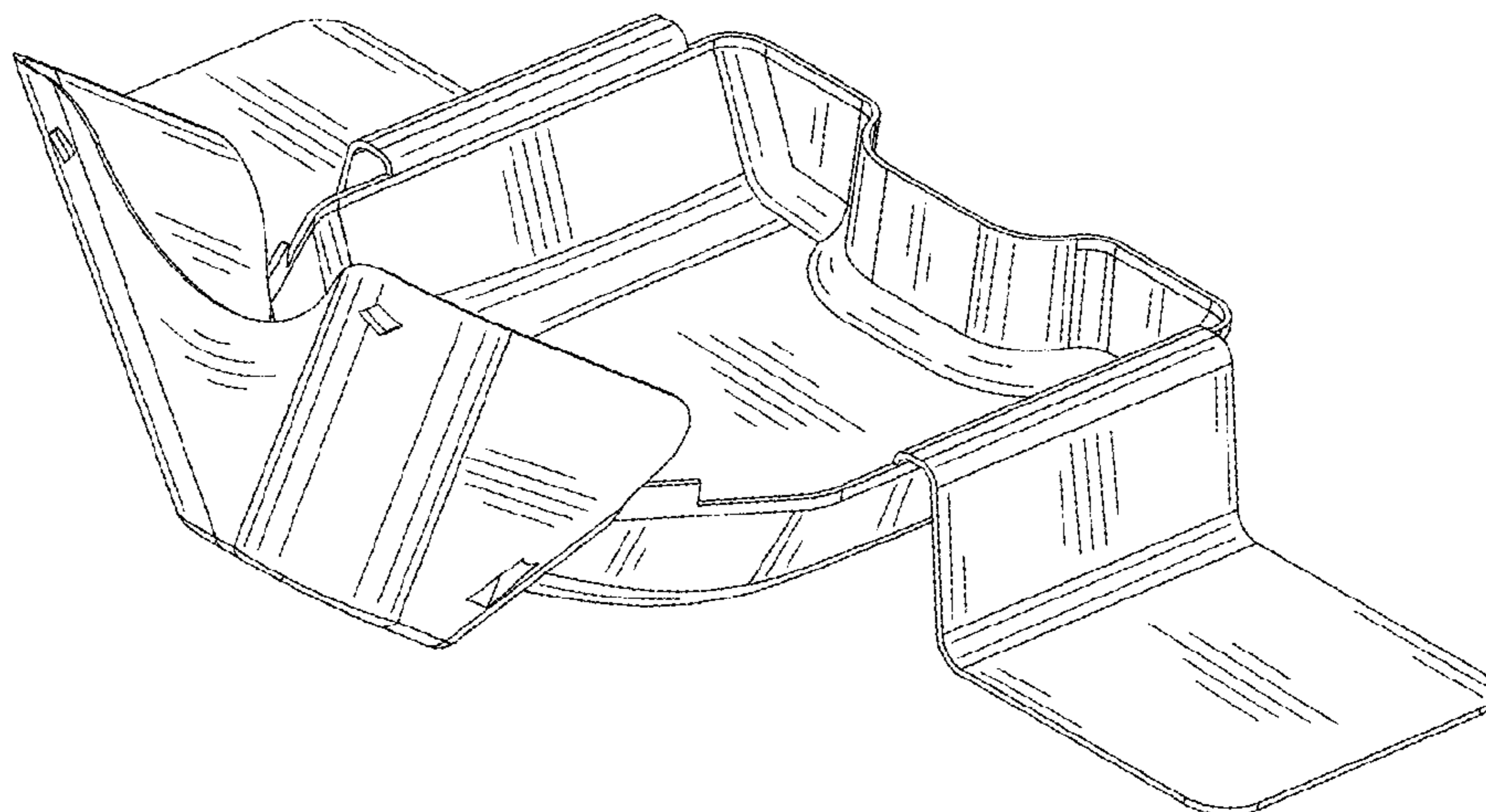


FIG. 3



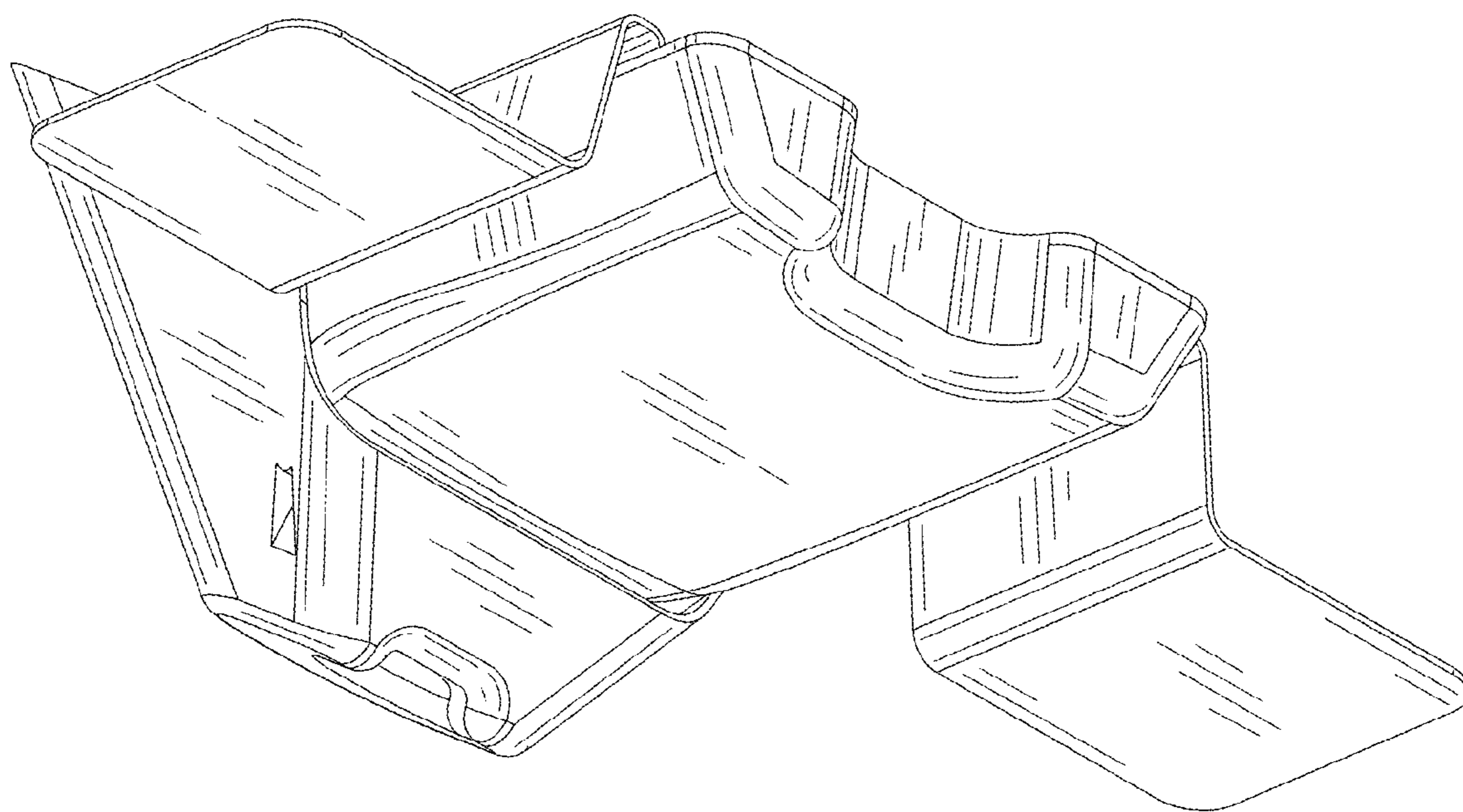


FIG. 4

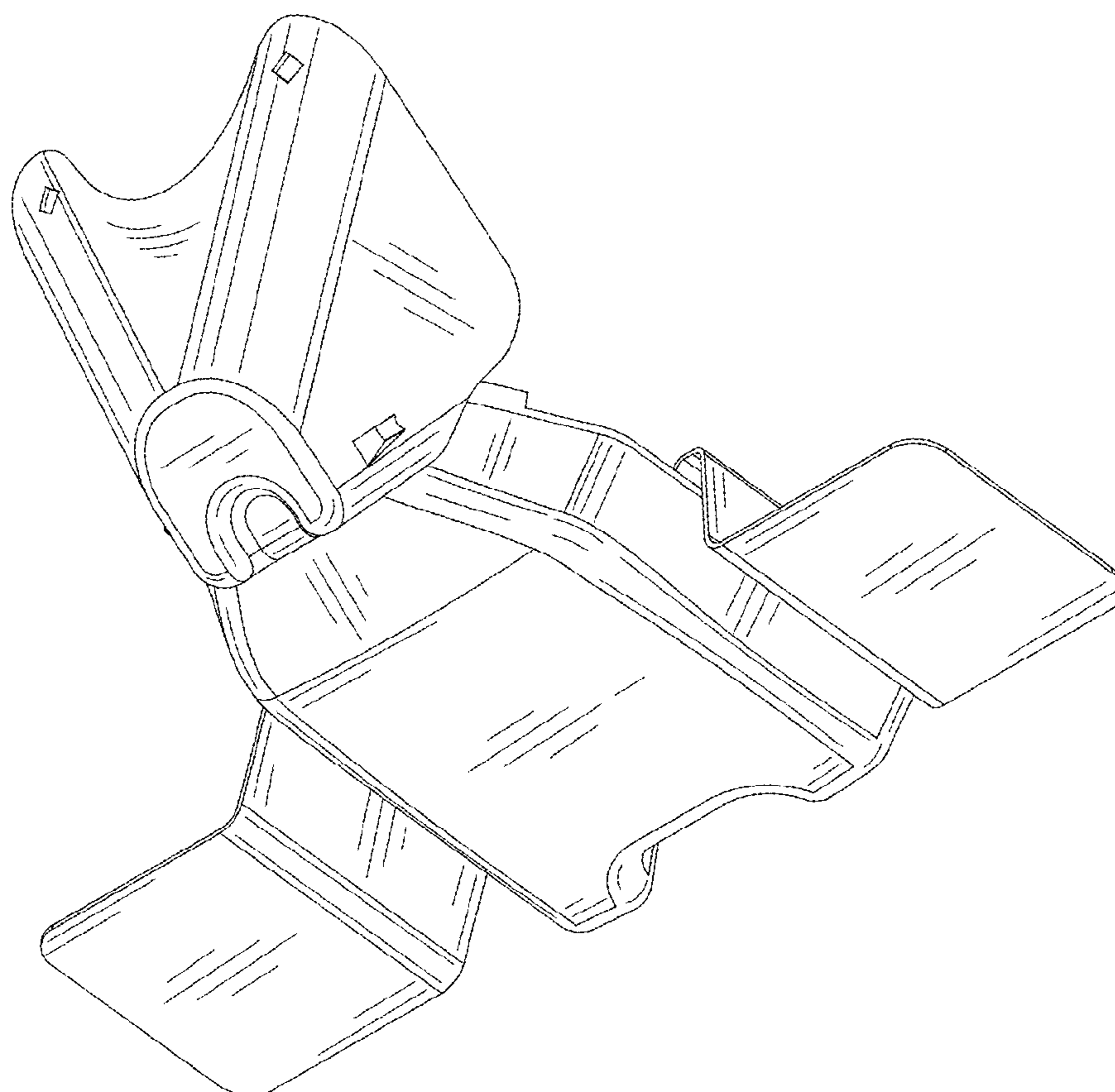


FIG. 5

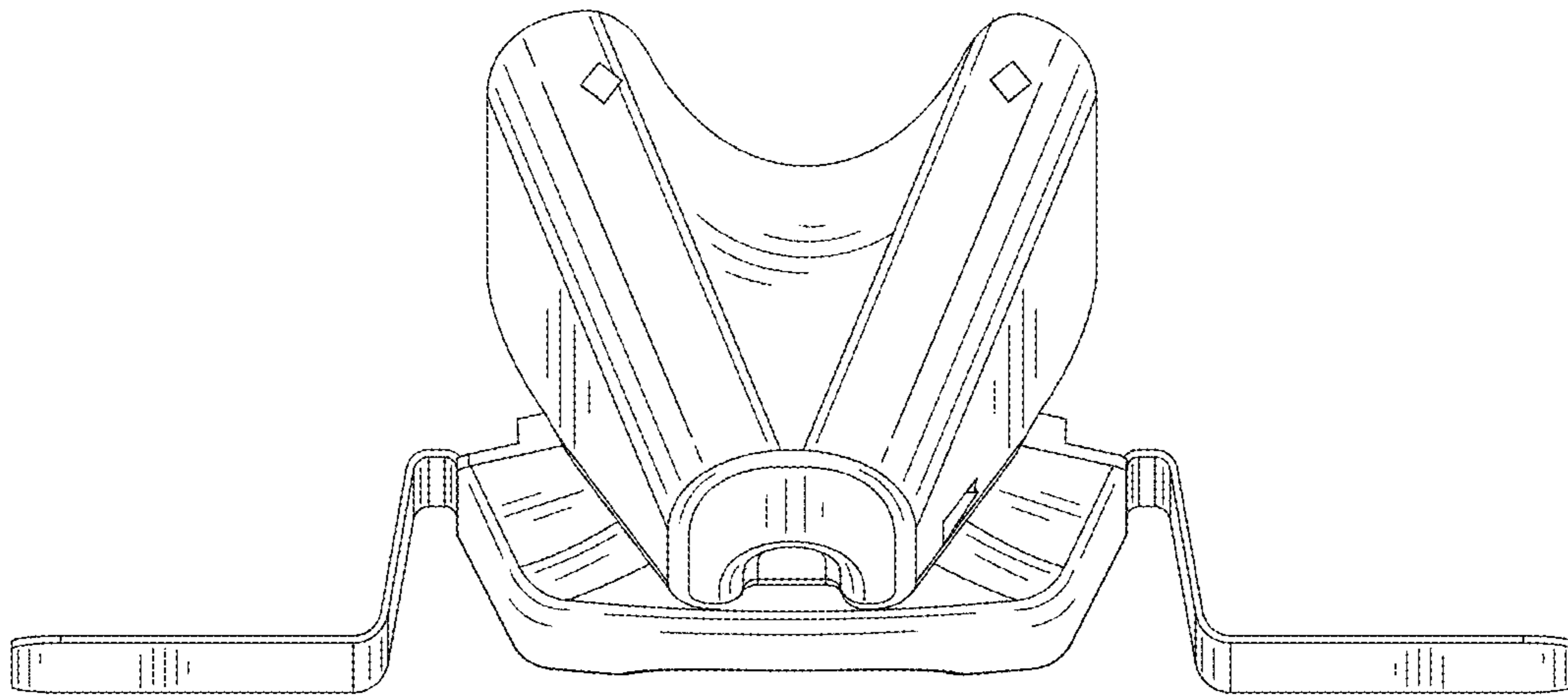


FIG. 6

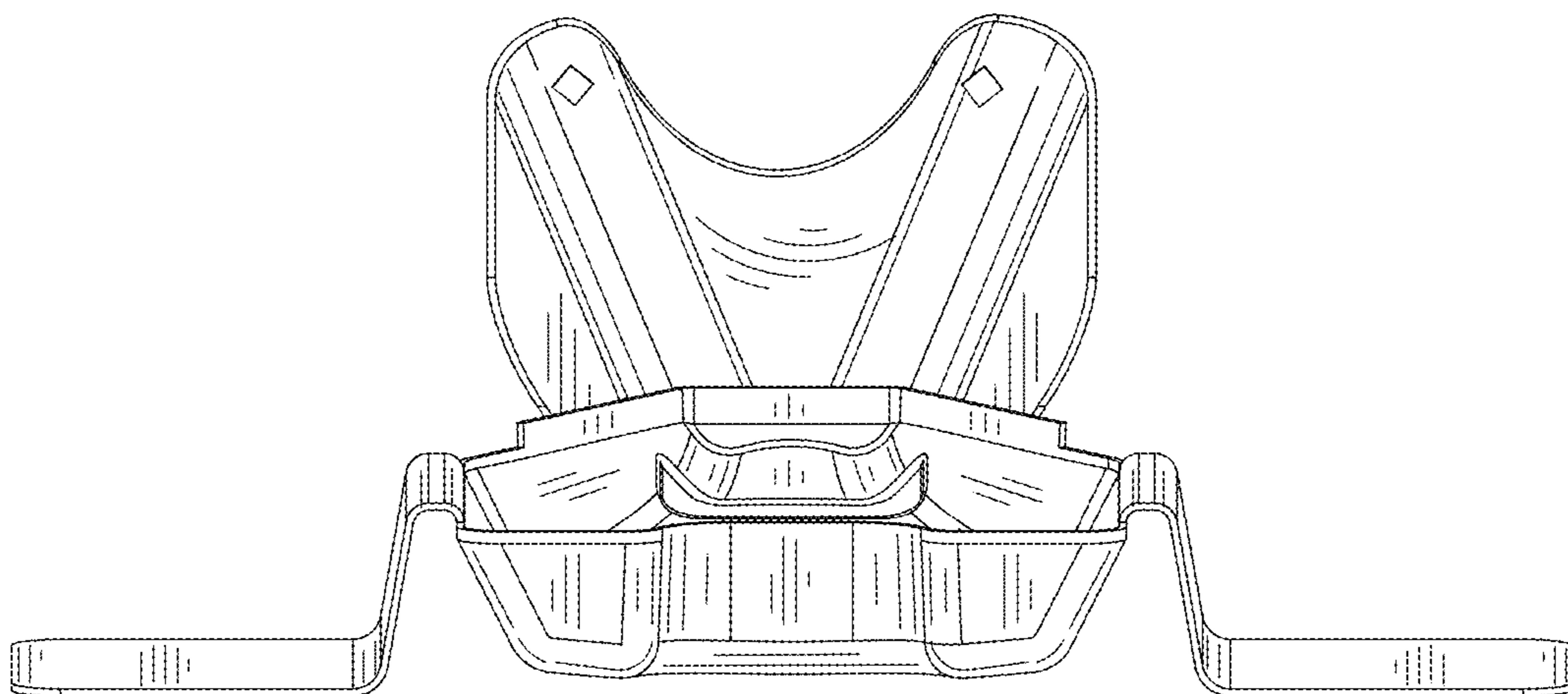


FIG. 7

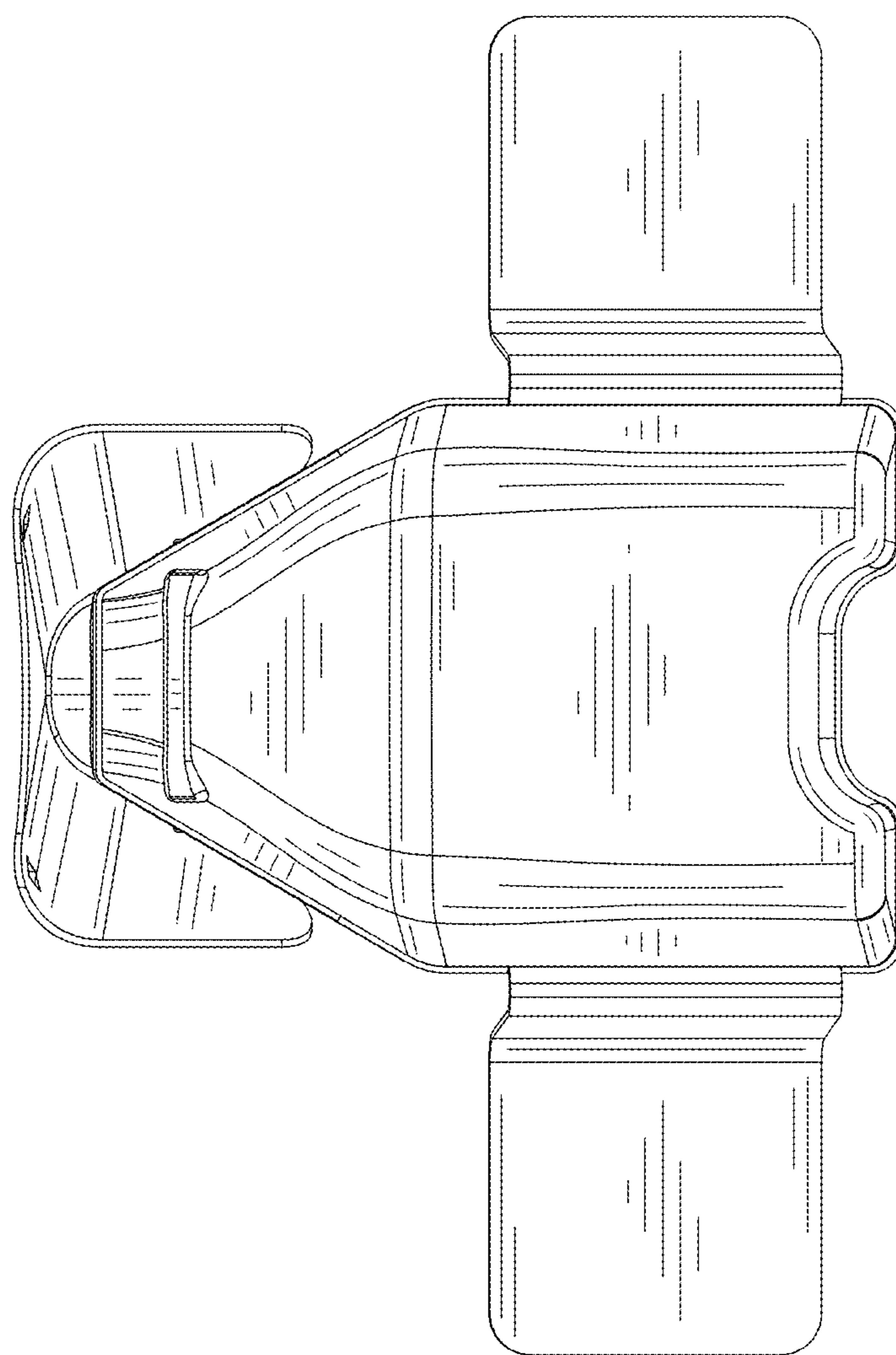


FIG. 8

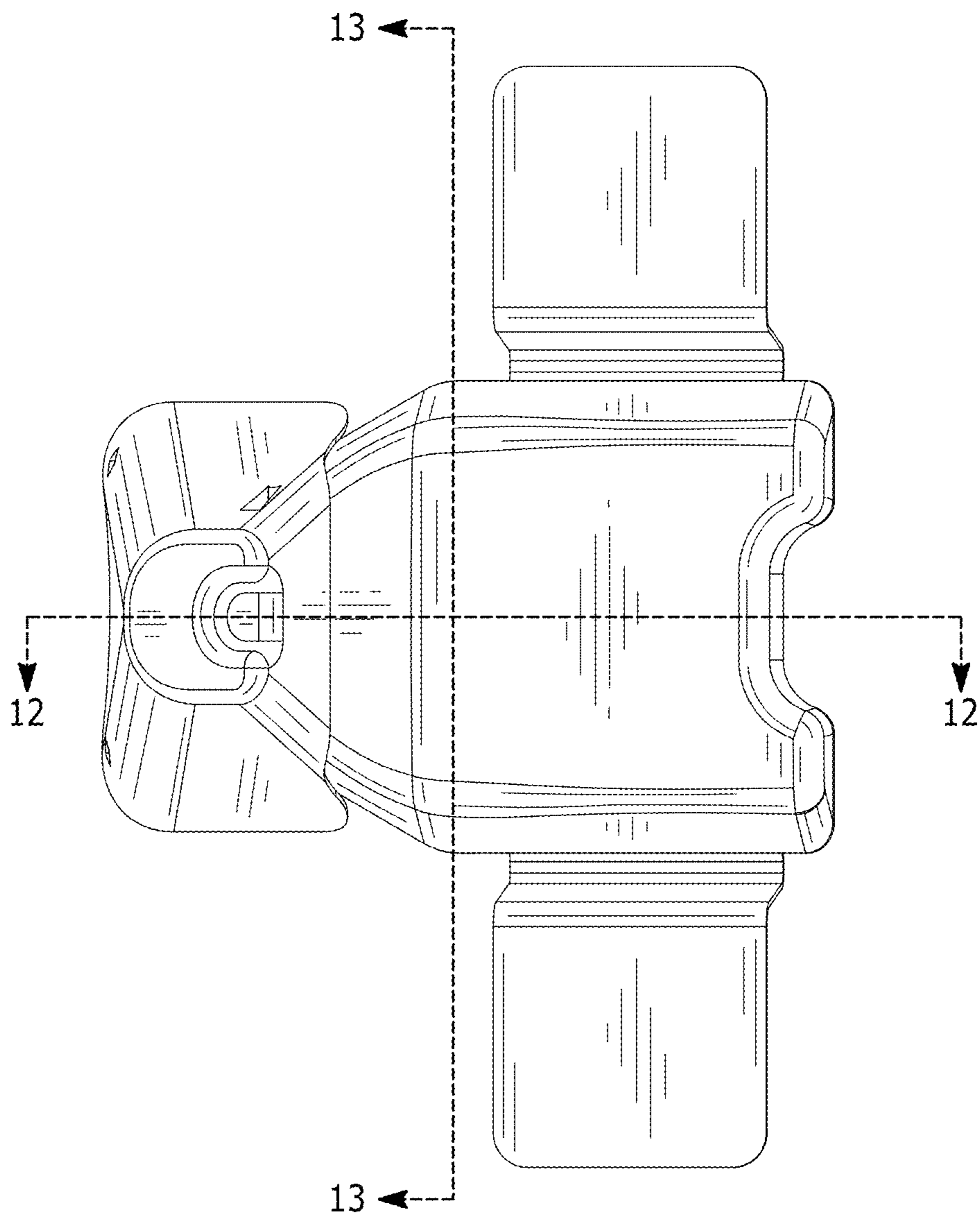


FIG. 9

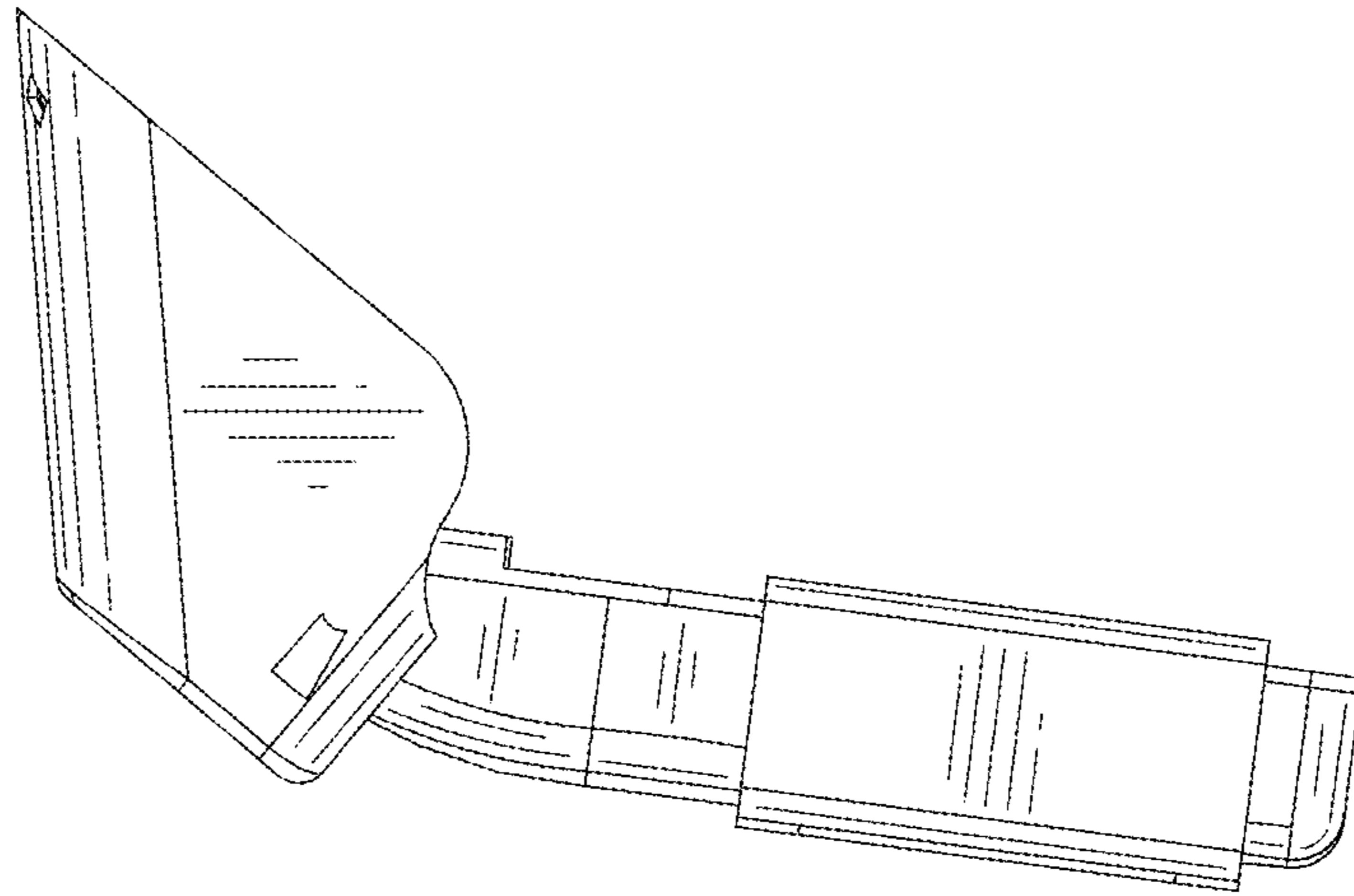


FIG. 10

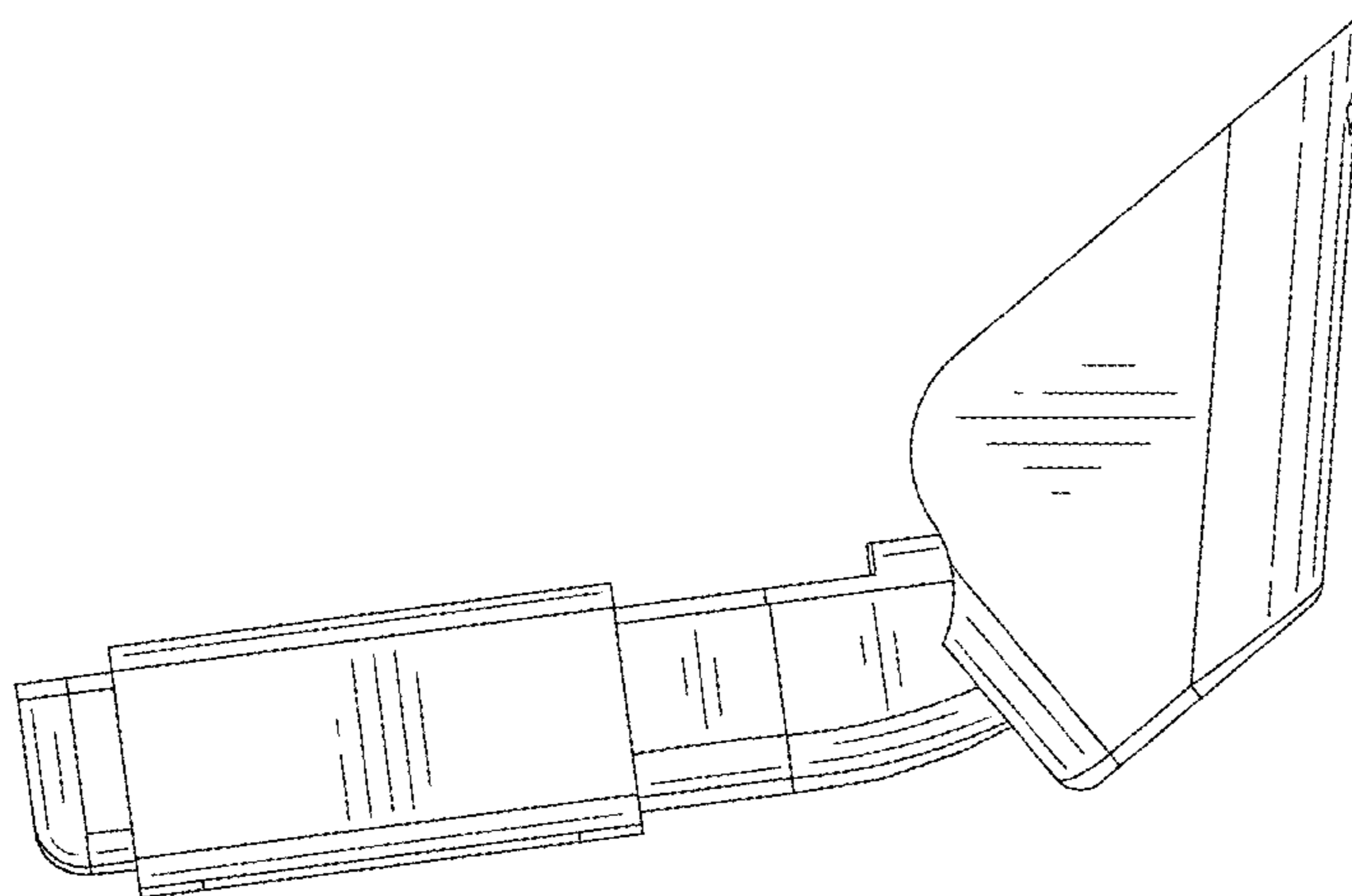


FIG. 11



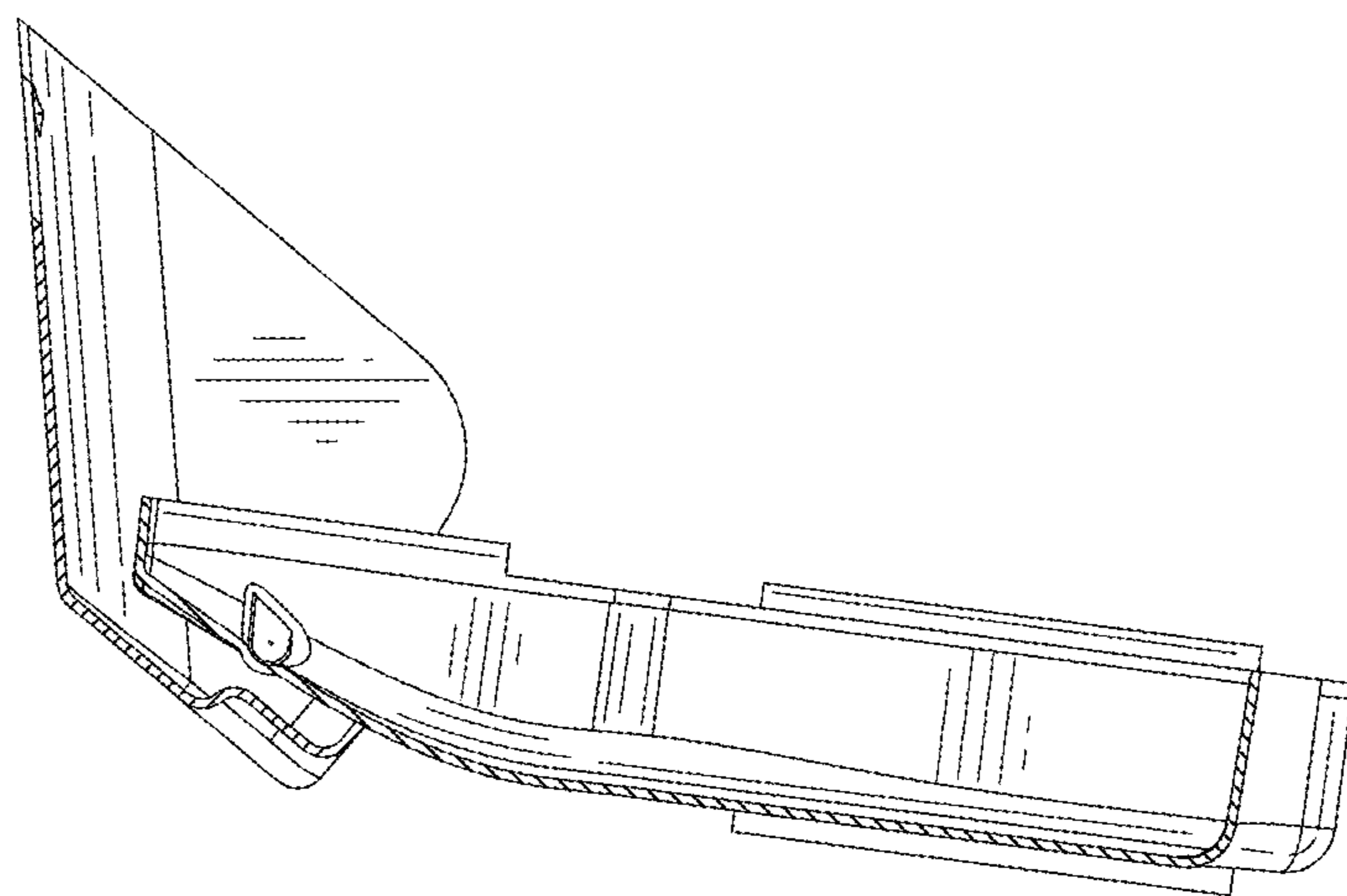


FIG. 12

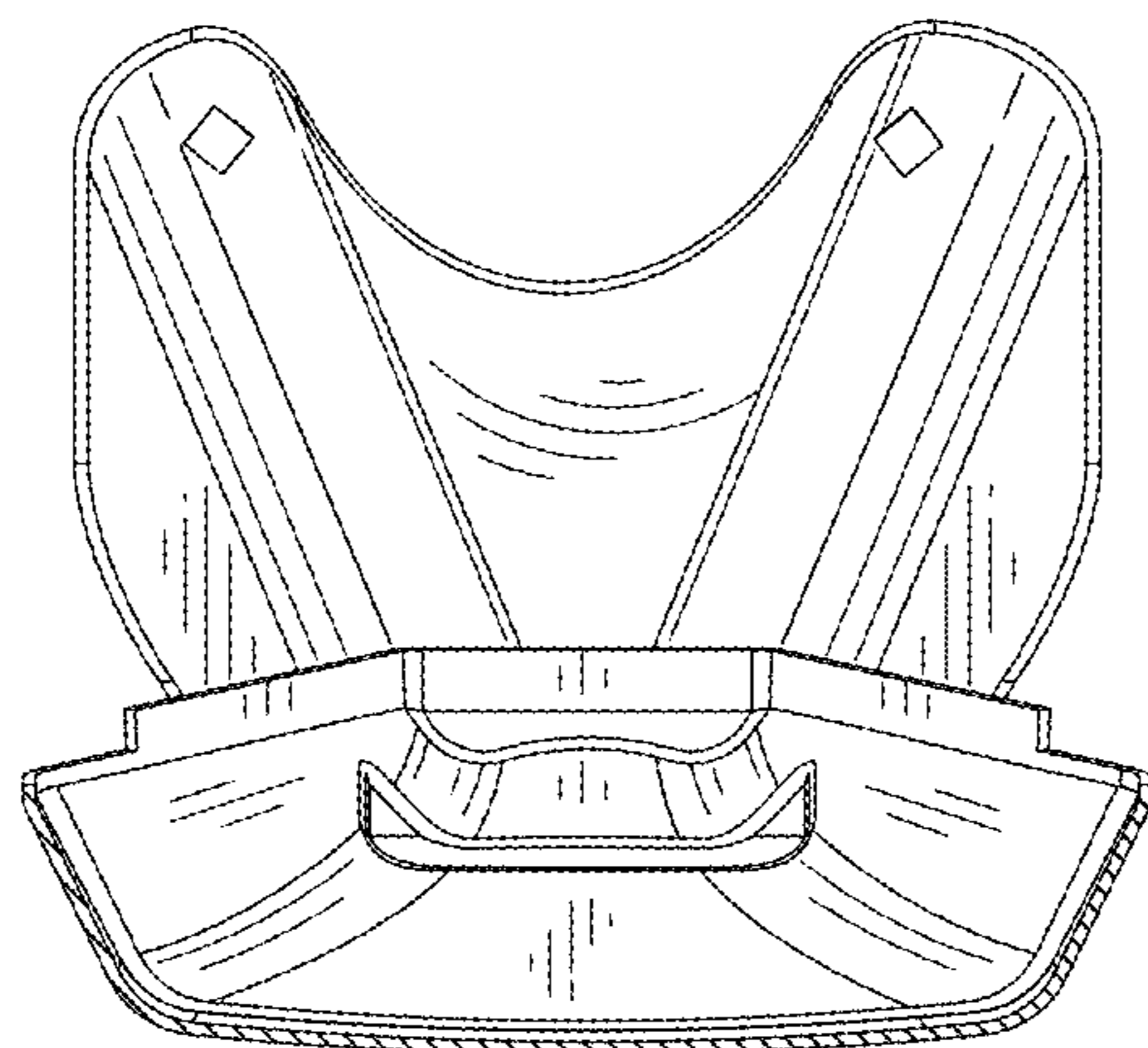


FIG. 13

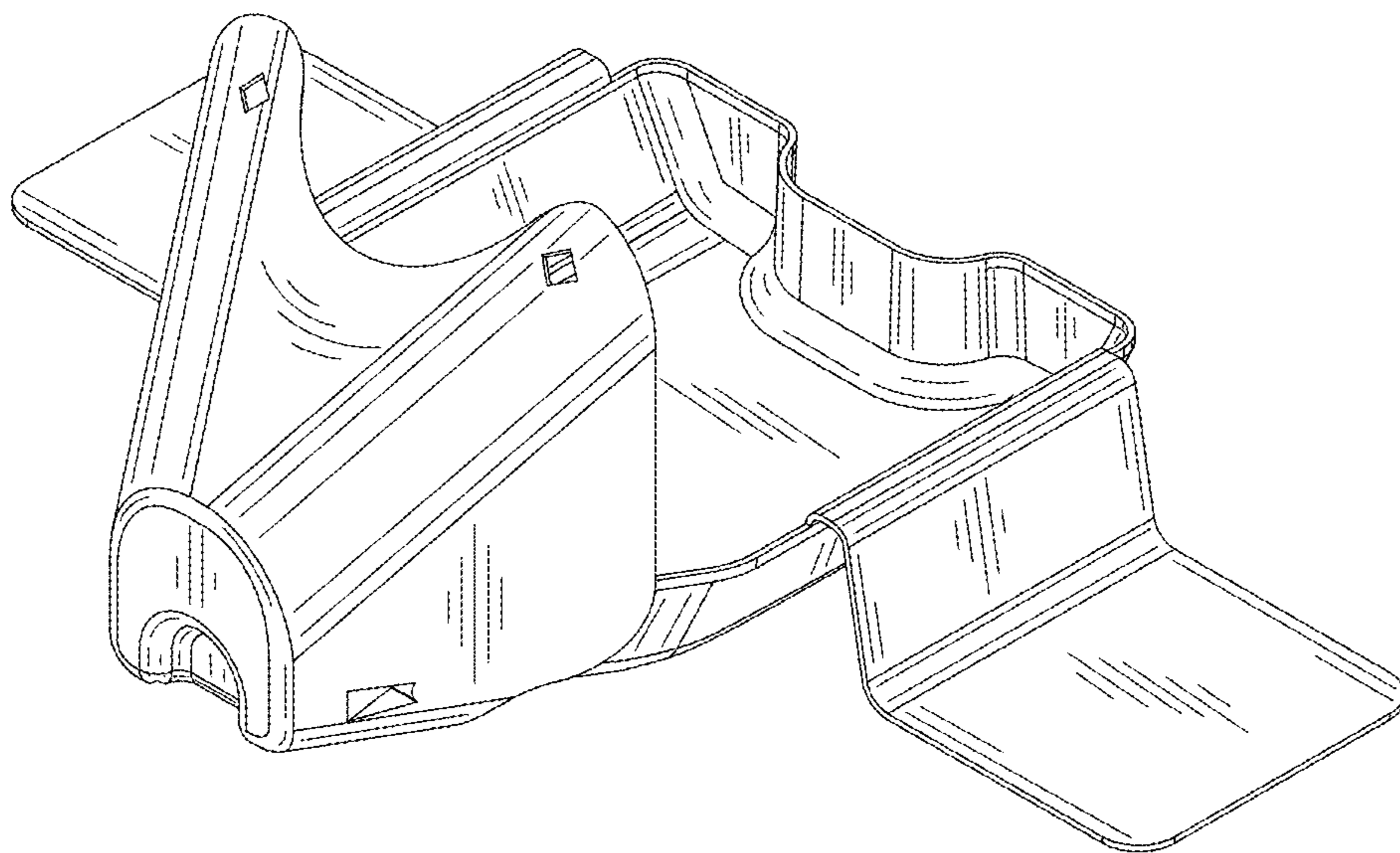


FIG. 14