



US00D882288S

(12) **United States Design Patent**
Liu

(10) **Patent No.:** **US D882,288 S**

(45) **Date of Patent:** **** Apr. 28, 2020**

(54) **RACK**

(71) Applicant: **Jinzhen Liu**, Shenzhen (CN)

(72) Inventor: **Jinzhen Liu**, Shenzhen (CN)

(**) Term: **15 Years**

(21) Appl. No.: **29/714,302**

(22) Filed: **Nov. 22, 2019**

(51) **LOC (12) Cl.** **08-08**

(52) **U.S. Cl.**
USPC **D6/552; D8/380**

(58) **Field of Classification Search**
USPC D6/552, 512, 553, 567, 572; D8/356,
D8/380, 394, 395; D22/147; D25/68;
211/7, 13, 60.1, 70.8, 64, 65, 68, 69,
211/69.8, 89, 94; 248/316.7
CPC A47F 7/0035; A01K 97/08; A47B 81/005;
Y10T 70/5009; Y10S 224/922
See application file for complete search history.

(56) **References Cited**

U.S. PATENT DOCUMENTS

D261,581 S * 11/1981 Buchanan D22/147
D272,785 S 2/1984 Rumbaugh
D303,192 S 9/1989 Bogar
D446,280 S * 8/2001 Marriott D22/147

D486,779 S * 2/2004 Alberti D12/406
D598,226 S 8/2009 Byers
D722,784 S * 2/2015 Thurman D6/552
D722,785 S 2/2015 Thurman
D756,684 S * 5/2016 Carr D6/552
D845,432 S * 4/2019 Christofferson D22/147

* cited by examiner

Primary Examiner — Wan Laymon
Assistant Examiner — Mark Booker

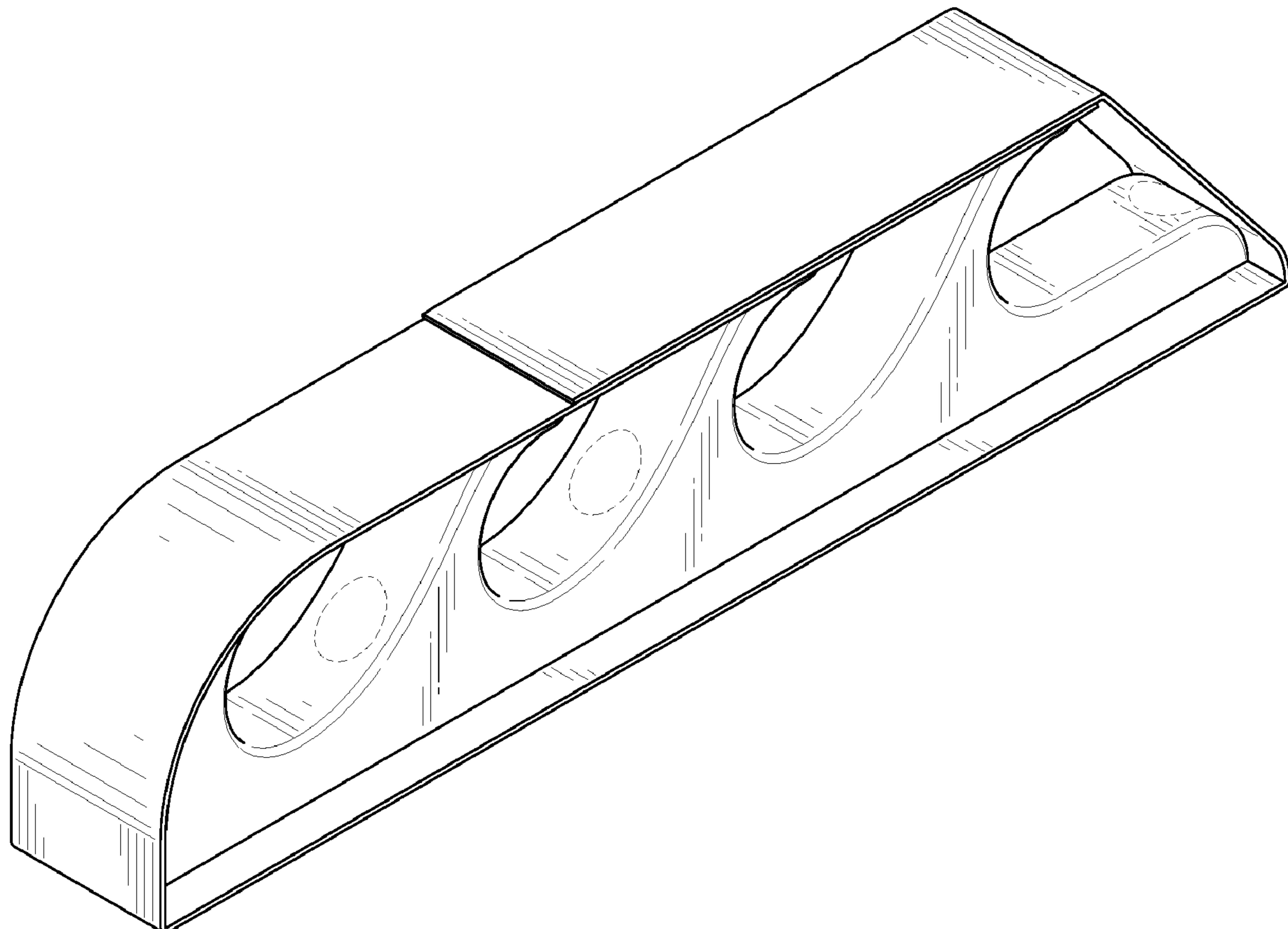
(57) **CLAIM**

The ornamental design for a rack, as shown and described.

DESCRIPTION

FIG. 1 is a perspective view of a rack showing my new design;
FIG. 2 is similar to FIG. 1, viewed from another aspect;
FIG. 3 is a front elevational view thereof;
FIG. 4 is a rear elevational view thereof;
FIG. 5 is a left side elevational view thereof;
FIG. 6 is a right side elevational view thereof;
FIG. 7 is a top plan view thereof;
FIG. 8 is a bottom plan view thereof;
FIG. 9 is a perspective view of the rack shown in a second state for clarity of disclosure; and,
FIG. 10 is an exploded perspective view of the rack shown in a third state for clarity of disclosure.
The broken lines in the drawings depict portions of the rack that form no part of the claimed design.

1 Claim, 10 Drawing Sheets



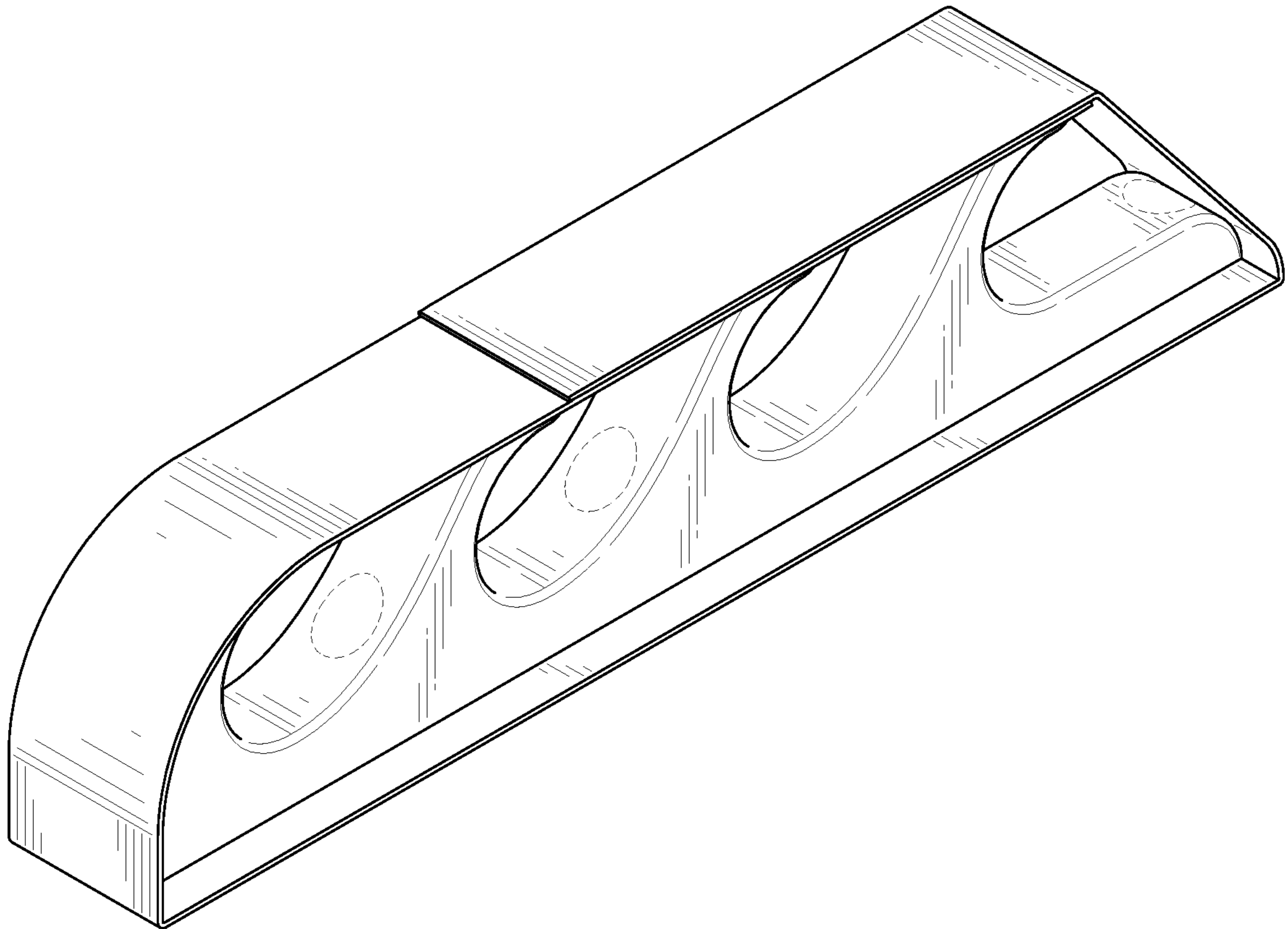


FIG. 1

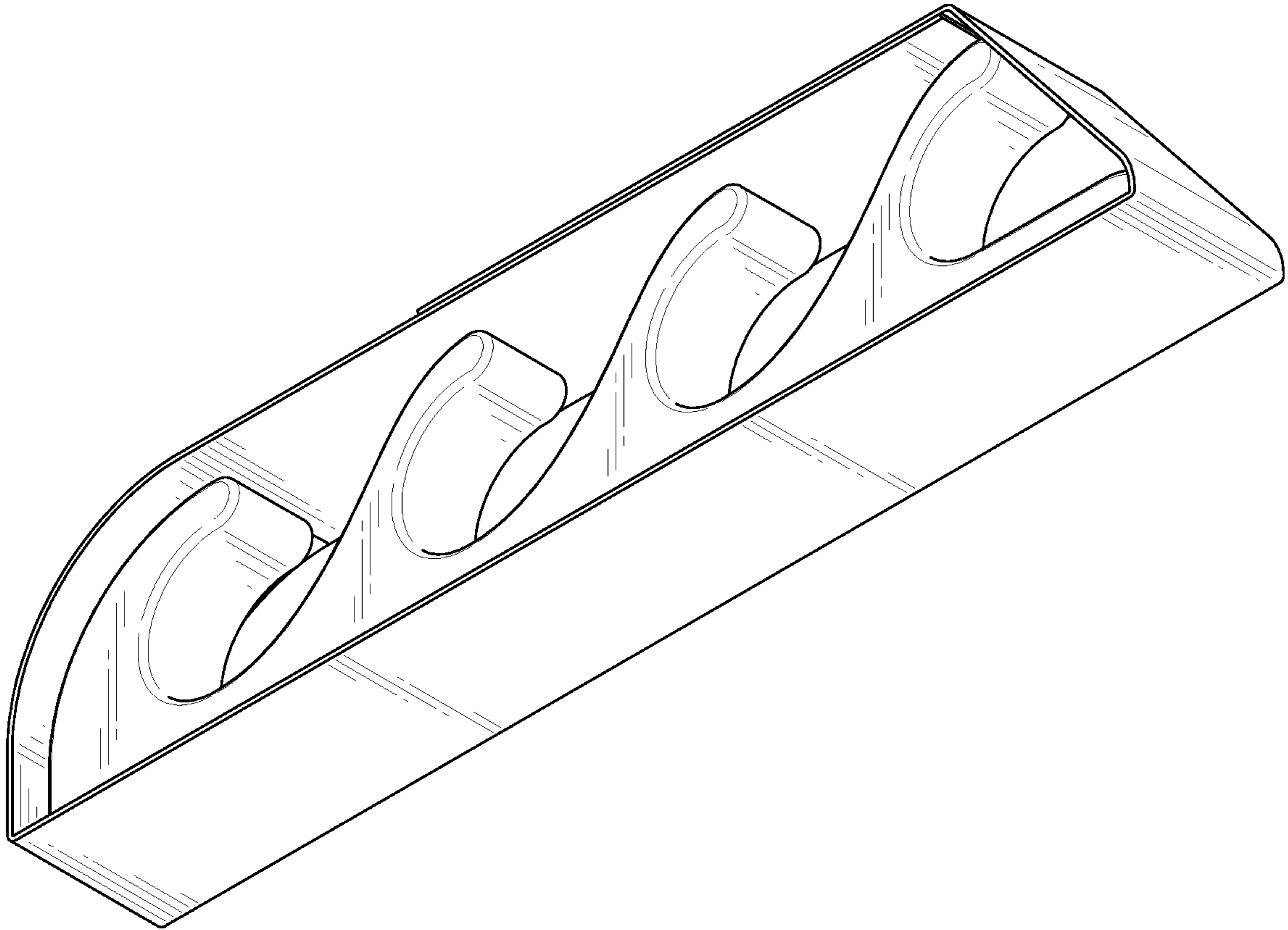


FIG. 2

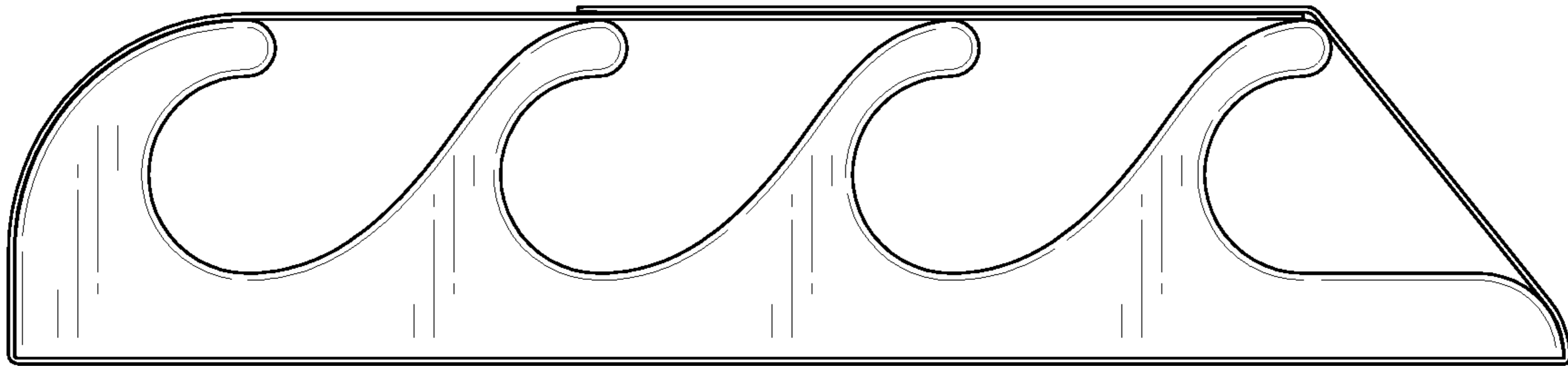


FIG. 3

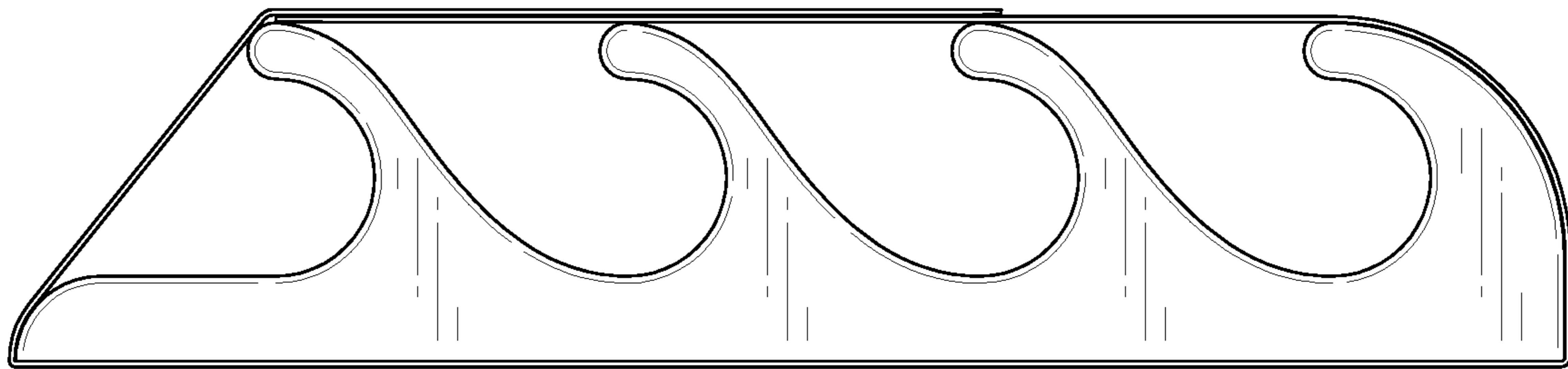


FIG. 4

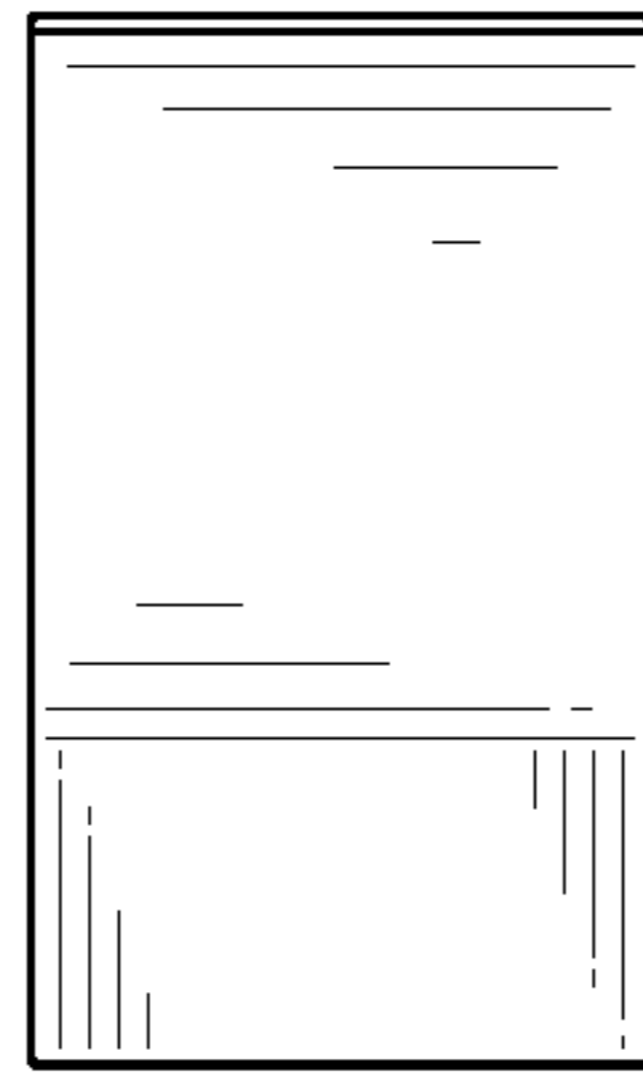


FIG. 5

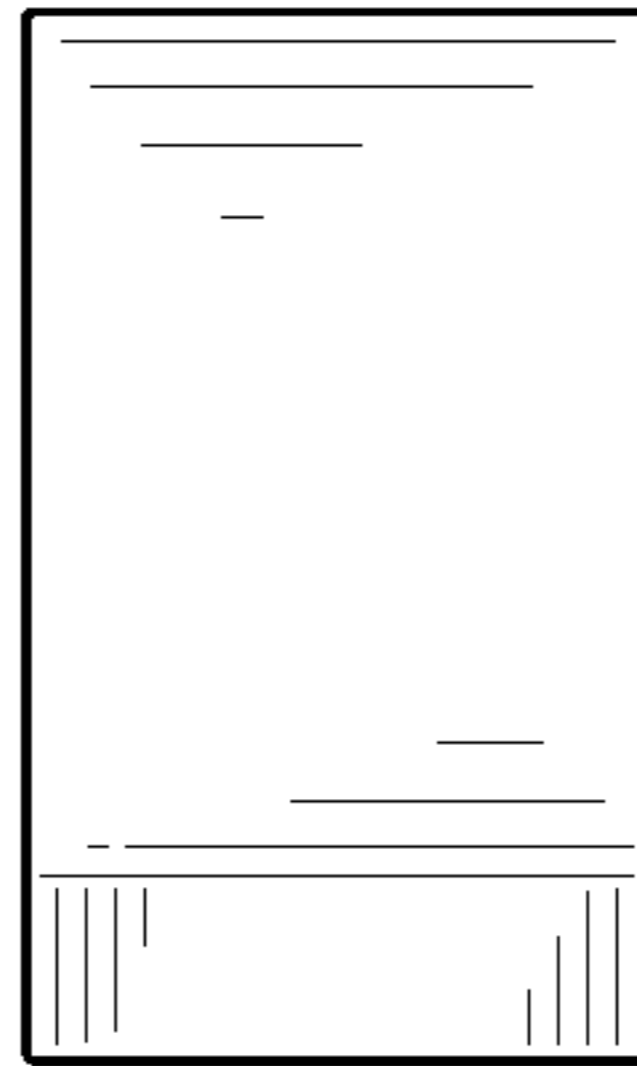


FIG. 6



FIG. 7



FIG. 8

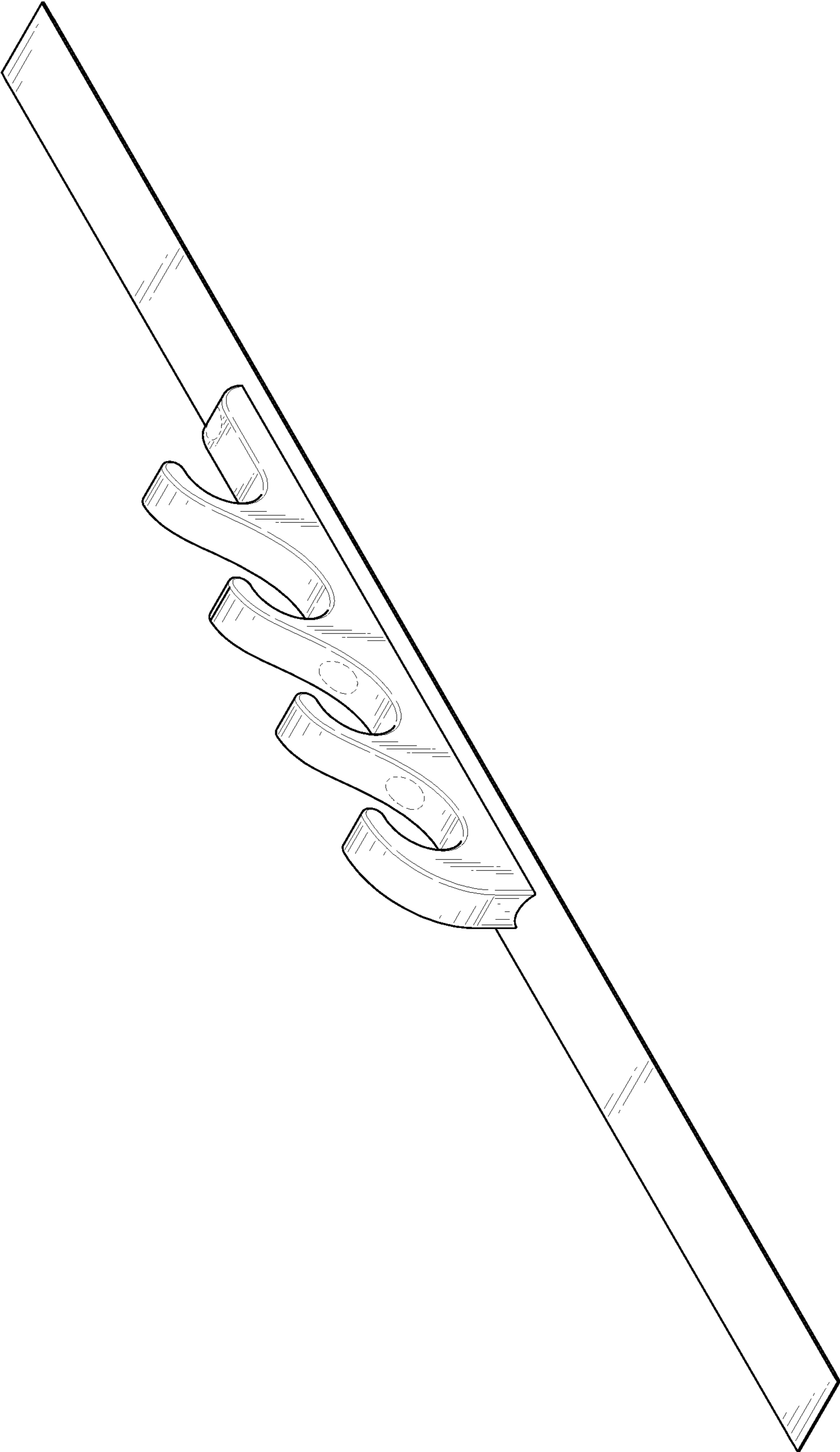


FIG. 9

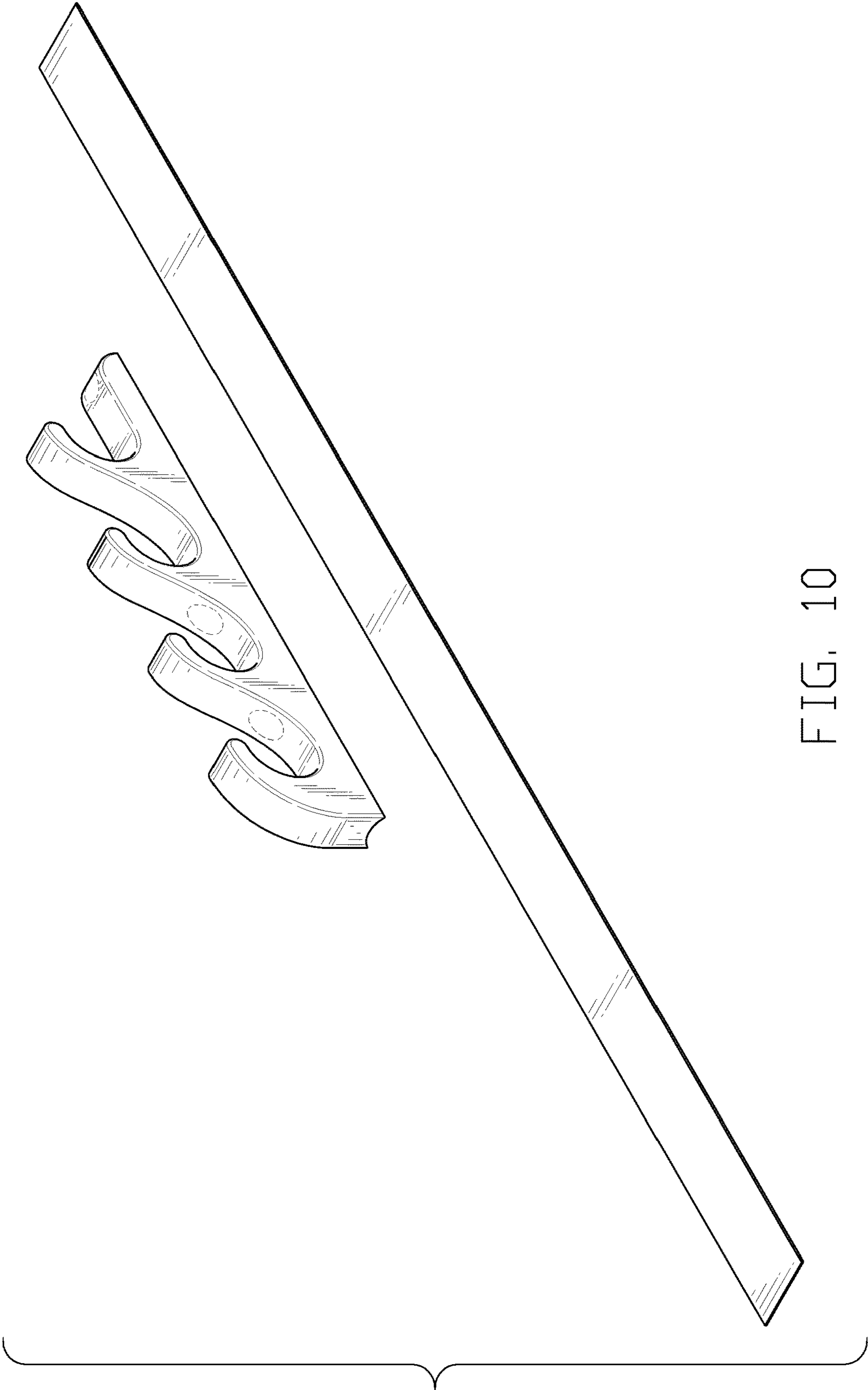


FIG. 10