



US00D882287S

(12) **United States Design Patent**
Cavalcante et al.

(10) **Patent No.:** **US D882,287 S**

(45) **Date of Patent:** **** Apr. 28, 2020**

(54) **POOL CUE HOLDER INSERT**

6,092,675 A * 7/2000 Ramirez, Jr. A63D 15/10
211/60.1

(71) Applicants: **Milo Cavalcante**, Norcross, GA (US);
Omar Lyn, Fayetteville, GA (US)

D472,090 S * 3/2003 Wing D6/552
D764,002 S * 8/2016 Cavalcante D21/782

(72) Inventors: **Milo Cavalcante**, Norcross, GA (US);
Omar Lyn, Fayetteville, GA (US)

* cited by examiner

(**) Term: **15 Years**

Primary Examiner — Wan Laymon

Assistant Examiner — Mark Booker

(21) Appl. No.: **29/675,980**

(74) *Attorney, Agent, or Firm* — Quickpatents, LLC;
Kevin Prince

(22) Filed: **Jan. 7, 2019**

(57) **CLAIM**

The ornamental design for a pool cue holder insert, as shown and described.

(51) **LOC (12) Cl.** **21-01**

(52) **U.S. Cl.**
USPC **D6/552**

DESCRIPTION

(58) **Field of Classification Search**
USPC D6/522; D21/782; 206/315.1, 315.7,
206/317; 211/1, 2, 4, 41, 15, 68, 60.1,
211/63, 89, 70.6, 85, 71.01, 84, 106;
248/209.1, 312; 473/15, 19, 21, 37, 42,
473/43, 44, 50, 45
CPC A47F 7/00; A63B 55/00; A45C 13/38; A63D
15/10; A63D 15/16; A47B 81/005
See application file for complete search history.

FIG. 1 is a top perspective view of a pool cue holder insert, showing our new design;
FIG. 2 is a top perspective view thereof;
FIG. 3 is a front elevational view thereof, the rear elevational view, left-side elevational view, and right-side elevational view all being identical thereto;
FIG. 4 is a top plan view thereof;
FIG. 5 is a bottom plan view thereof;
FIG. 6 is a bottom perspective view thereof; and,
FIG. 7 is a cross-sectional view thereof, taken along line 7--7 of FIG. 4.

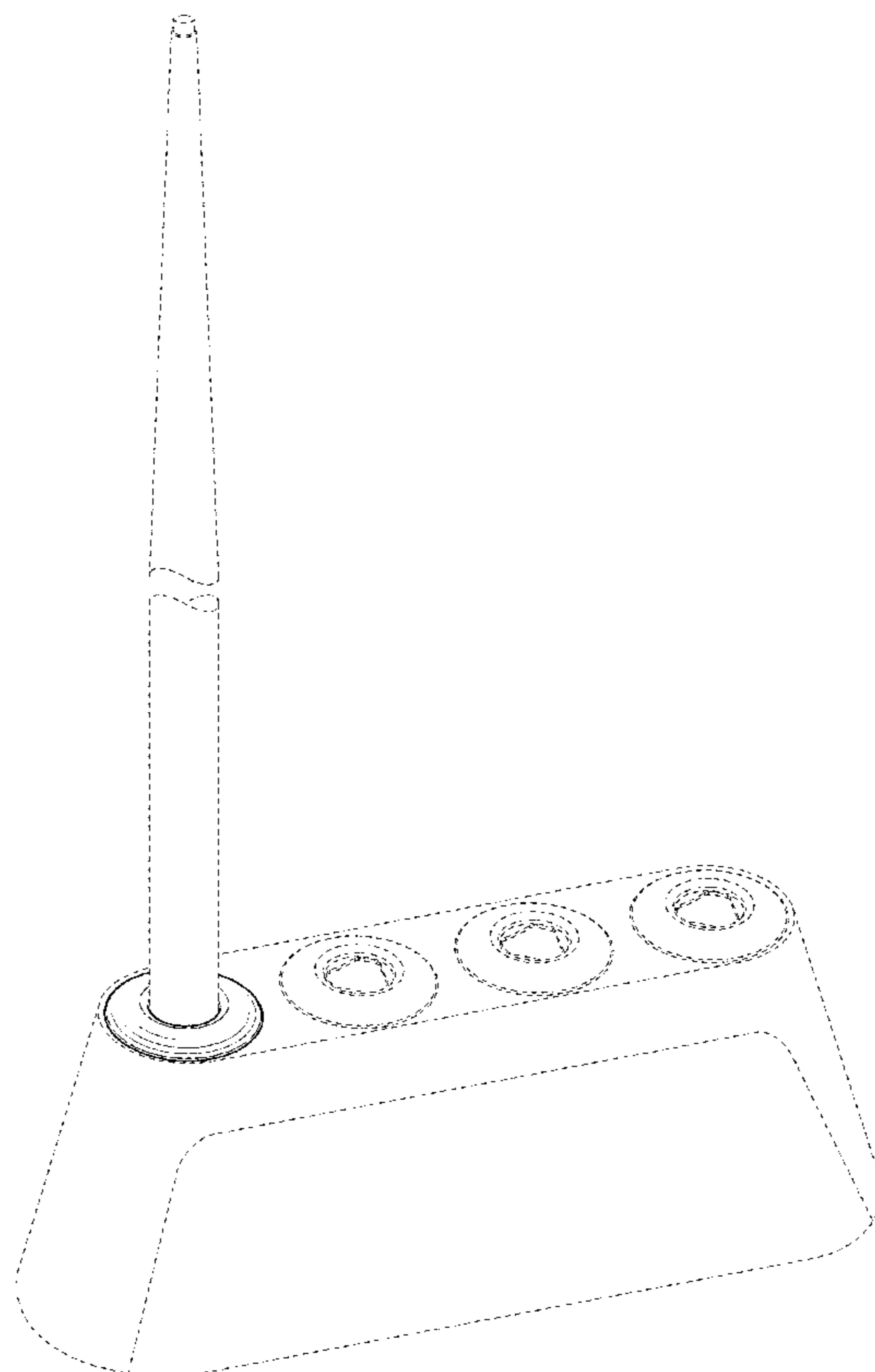
The broken lines showing a pool cue holder and a pool cue in FIG. 1 depict environmental matter and form no part of the claimed design.

(56) **References Cited**

U.S. PATENT DOCUMENTS

D338,795 S * 8/1993 Huang D6/552
D387,114 S * 12/1997 Bliss D21/726
D423,620 S * 4/2000 Cooper D21/782

1 Claim, 4 Drawing Sheets



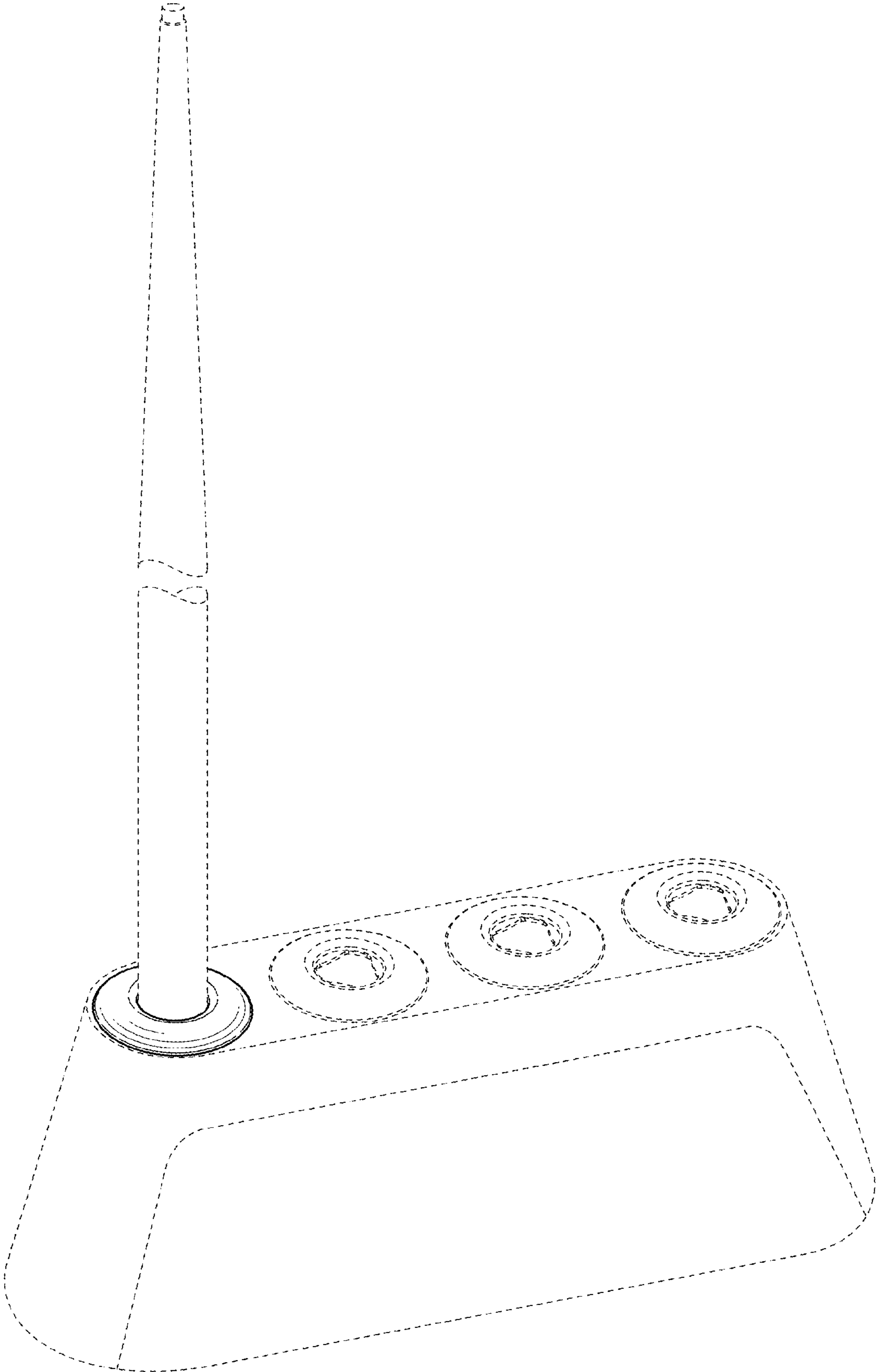


FIG. 1

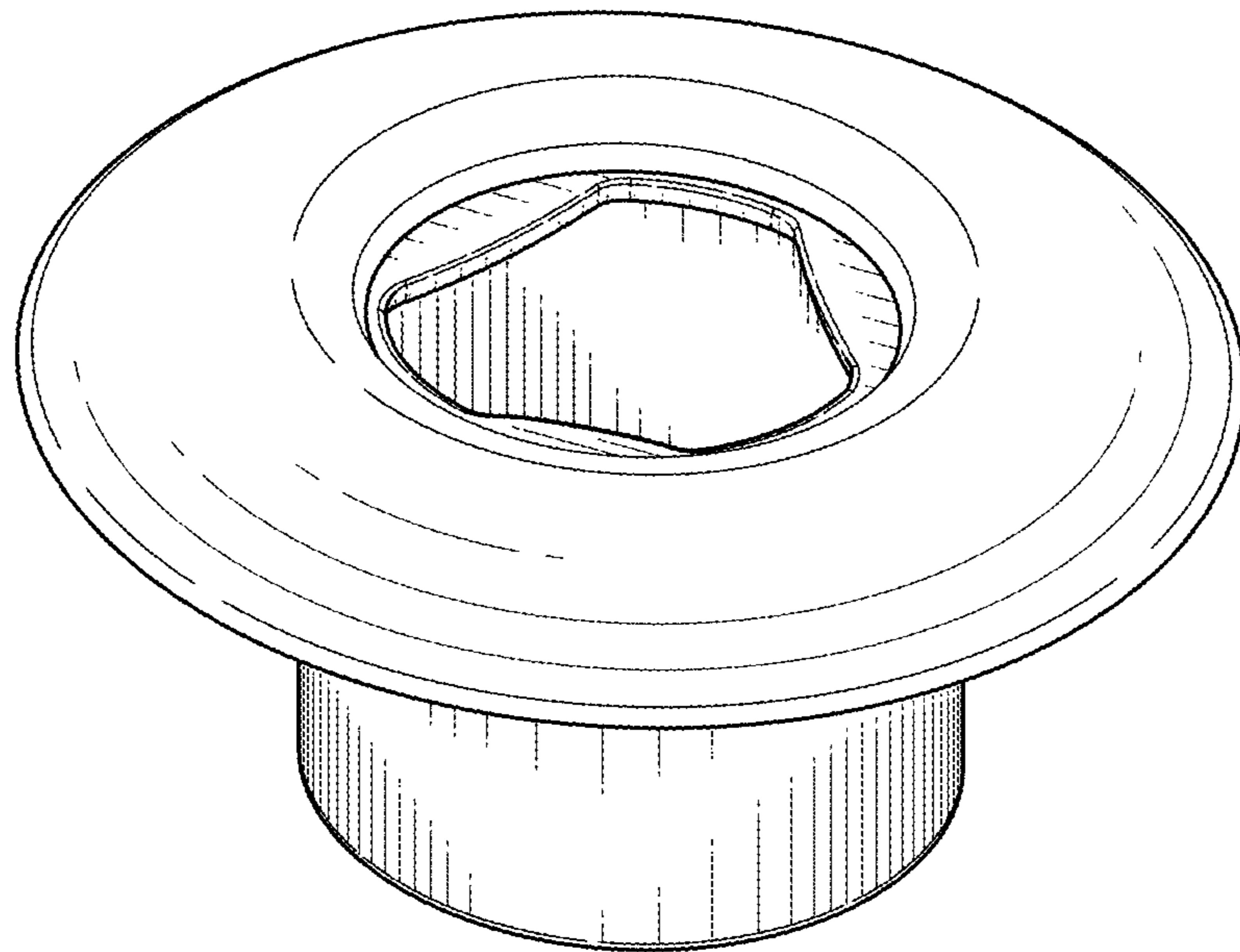


FIG. 2

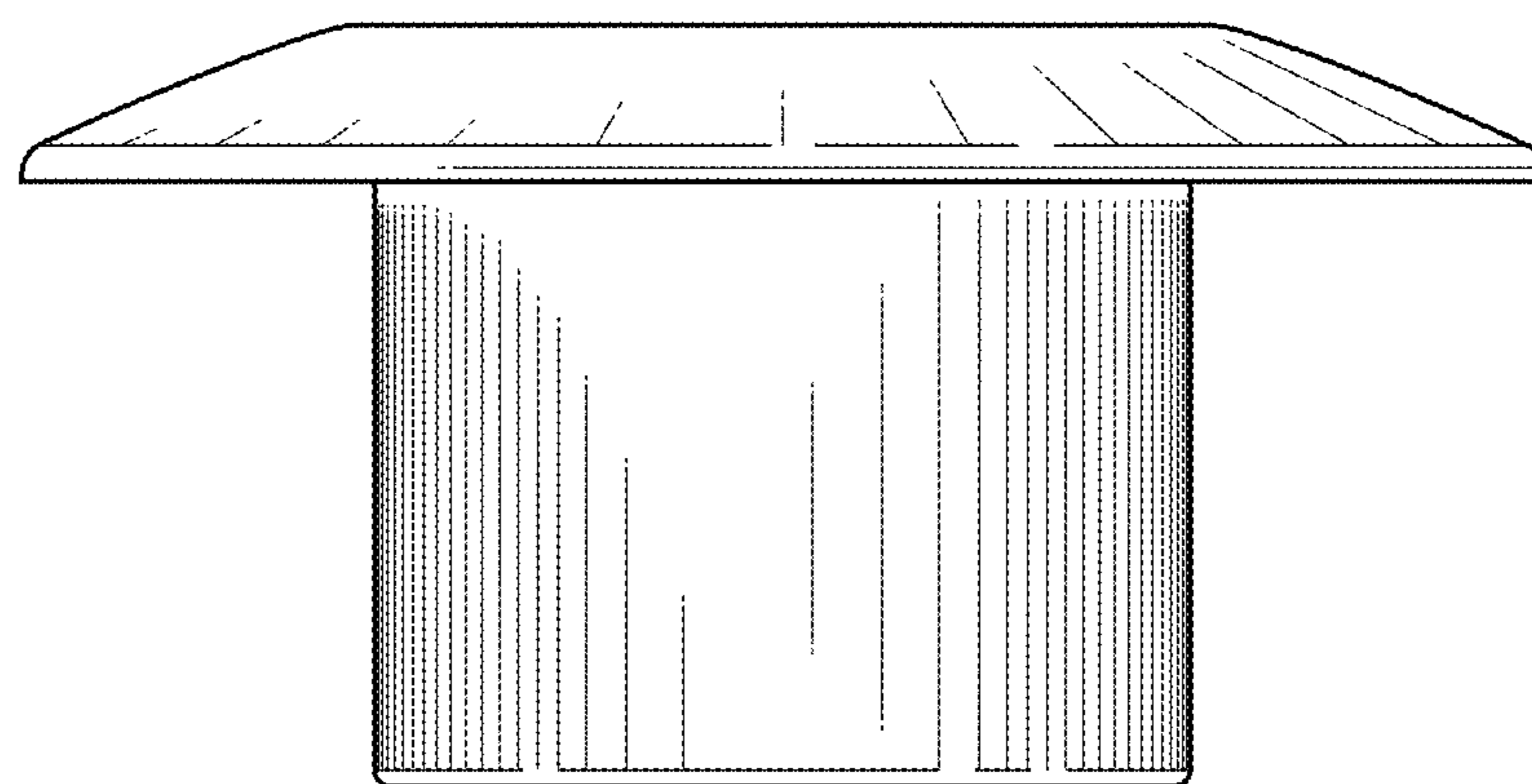


FIG. 3

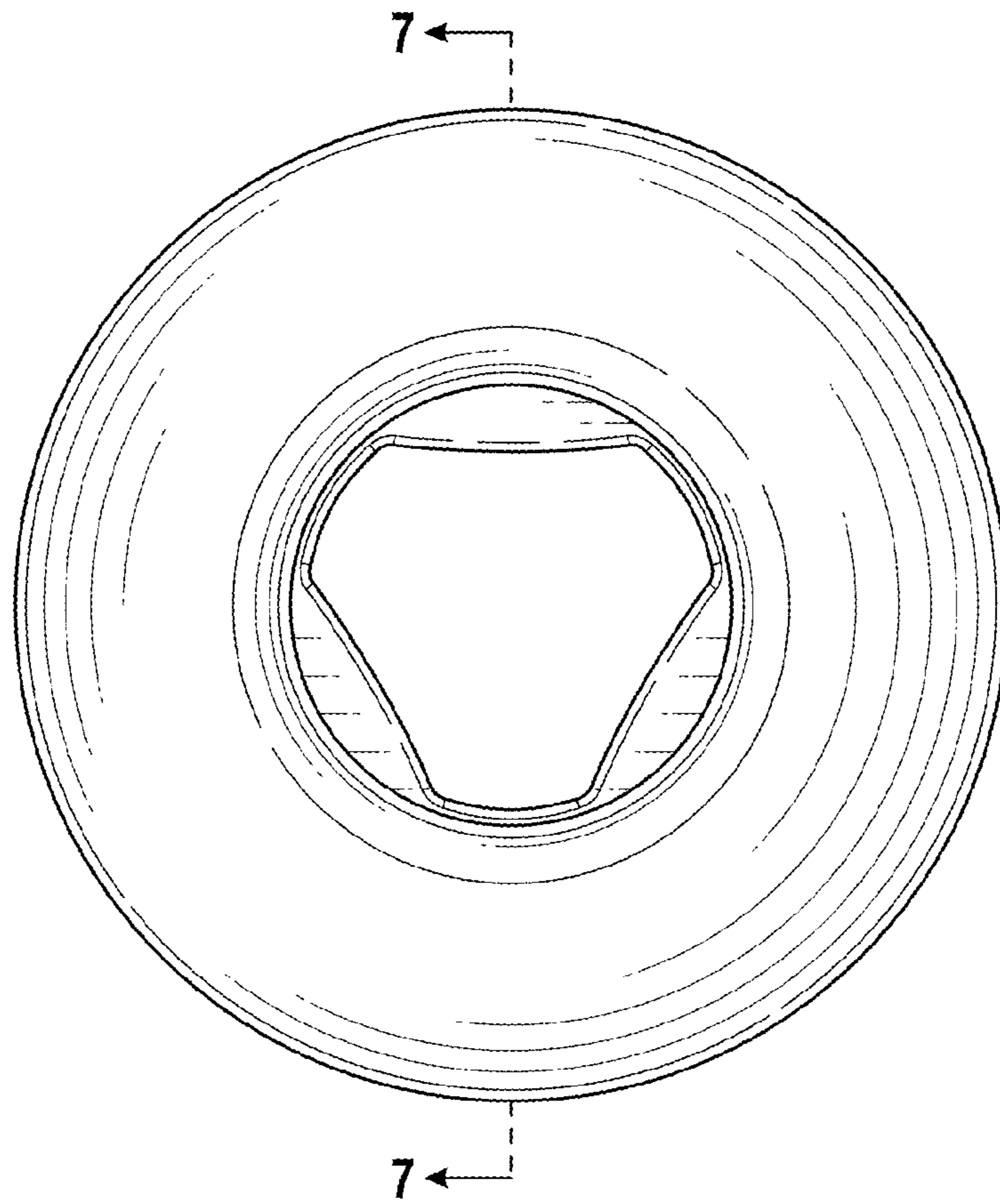


FIG. 4

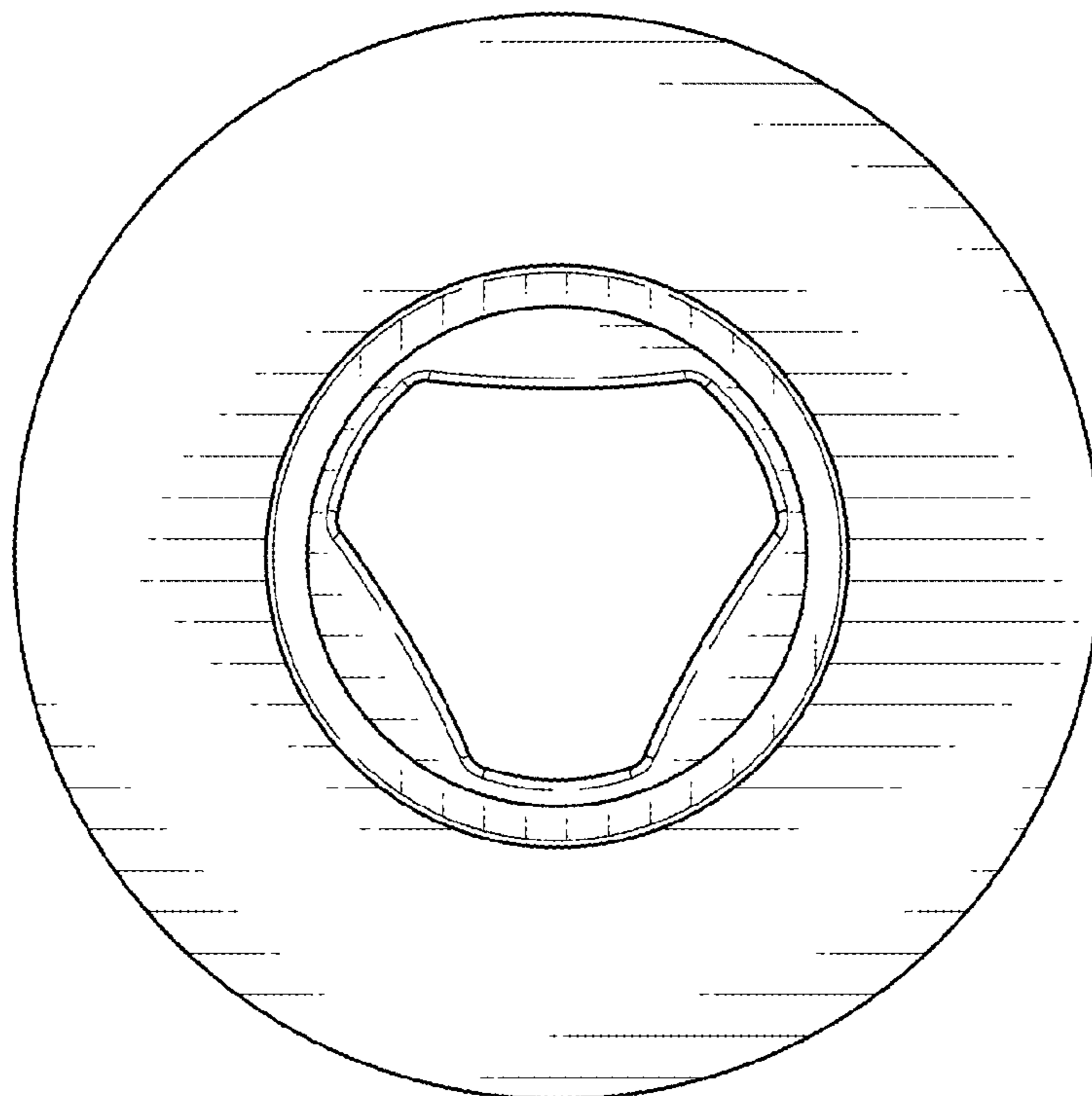


FIG. 5

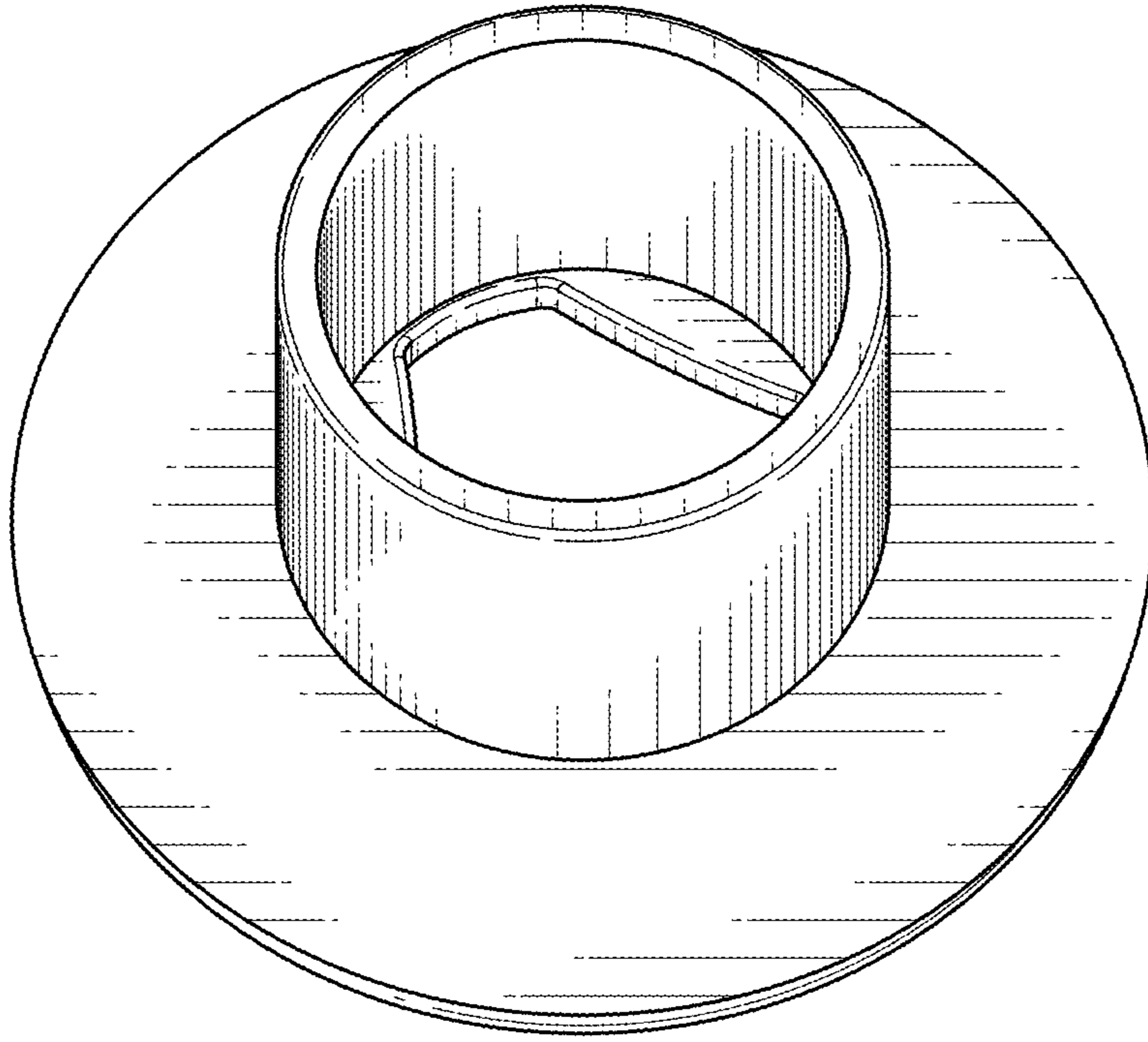


FIG. 6

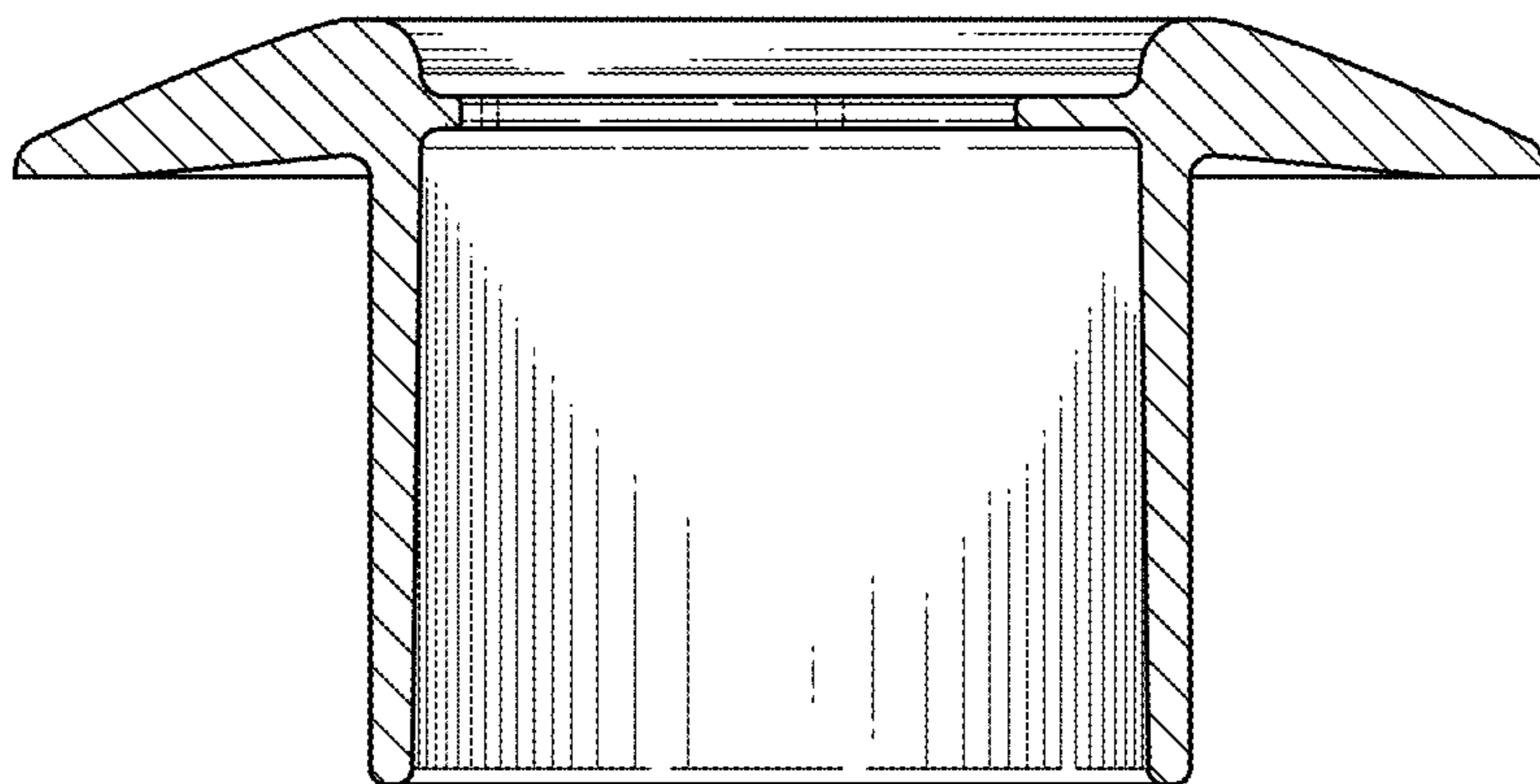


FIG. 7