



US00D882285S

(12) **United States Design Patent**
Lim

(10) **Patent No.:** **US D882,285 S**

(45) **Date of Patent:** **** Apr. 28, 2020**

(54) **SOFA FRAME**

(71) Applicant: **Kok Jit Lim**, Greensboro, NC (US)

(72) Inventor: **Kok Jit Lim**, Greensboro, NC (US)

(**) Term: **15 Years**

(21) Appl. No.: **29/635,763**

(22) Filed: **Feb. 2, 2018**

(51) **LOC (12) Cl.** **06-01**

(52) **U.S. Cl.**
USPC **D6/381; D6/719**

(58) **Field of Classification Search**
USPC D6/334, 335, 336, 360, 361, 367, 368,
D6/371-375, 379-381, 716, 716.1-716.8,
D6/708.14, 717, 717.1, 719, 719.2, 709,
D6/711, 708
CPC A47C 7/00; A47C 7/62; A47C 7/18; A47C
7/54; A47C 4/00; A47C 4/028; A47C
4/28; A47C 3/16; A47C 3/04; A47C 3/12;
A47C 1/02; A47C 1/14
See application file for complete search history.

(56) **References Cited**

U.S. PATENT DOCUMENTS

- D77,282 S * 12/1928 Bauer D6/708.14
- D250,232 S * 11/1978 Nash D6/369
- D411,064 S * 6/1999 Klein D6/381
- D483,196 S * 12/2003 Ricci D6/334
- D575,544 S * 8/2008 Adair D6/334
- 7,988,236 B2 * 8/2011 Brandtner A47B 91/005
248/188.1
- D776,451 S * 1/2017 Adair D6/381

- D793,759 S * 8/2017 Adair D6/381
- D811,146 S * 2/2018 Adair D6/717
- D830,716 S * 10/2018 Lim D6/381

* cited by examiner

Primary Examiner — Deanna L Pratt
(74) *Attorney, Agent, or Firm* — Tuggle Duggins P.A.;
Blake P. Hurt

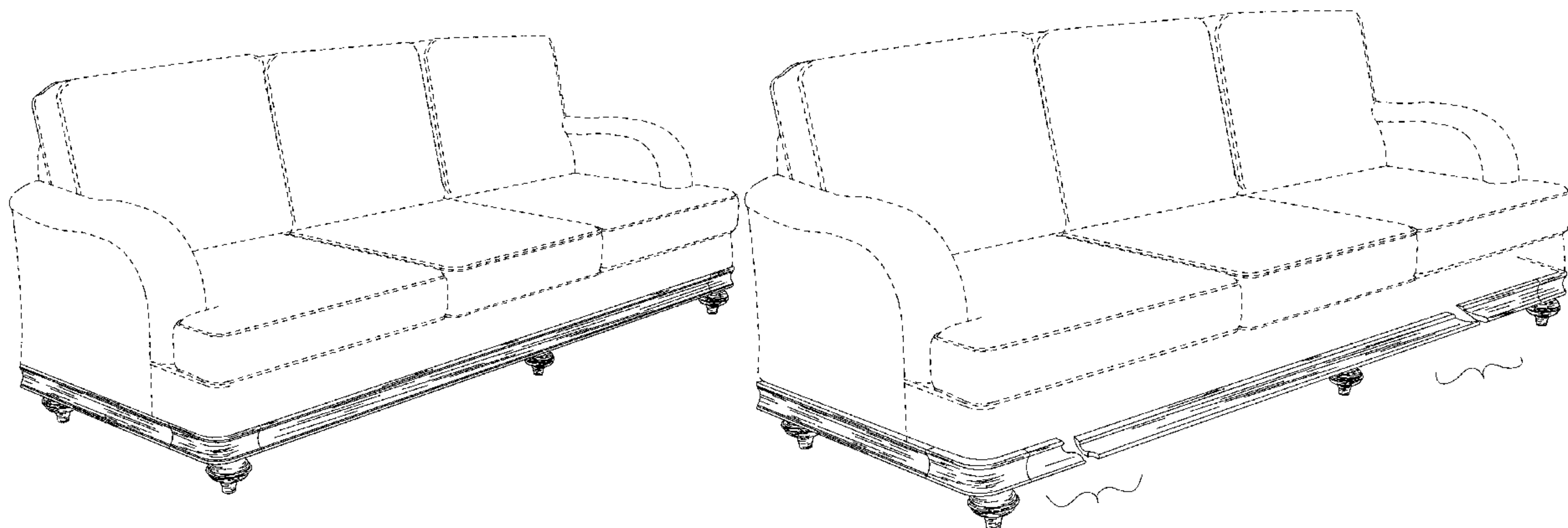
(57) **CLAIM**

The ornamental design for a sofa frame, as shown and described.

DESCRIPTION

FIG. 1 is a top, front, left side perspective view of a sofa frame showing my new design;
FIG. 2 is a front elevational view thereof;
FIG. 3 is a right side elevational view thereof;
FIG. 4 is a left side elevational view thereof;
FIG. 5 is a top plan view thereof;
FIG. 6 is a rear elevational view thereof;
FIG. 7 is a bottom plan view thereof; and,
FIG. 8 is a top, front, left side perspective view of a second embodiment of a sofa frame the break lines indicate that the appearance of any portion of the sofa frame between the break lines forms no part of the claimed design, that being the only difference from the embodiment shown in FIGS. 1-7.
The broken lines are for environmental purposes only and form no part of the claimed design.

1 Claim, 8 Drawing Sheets



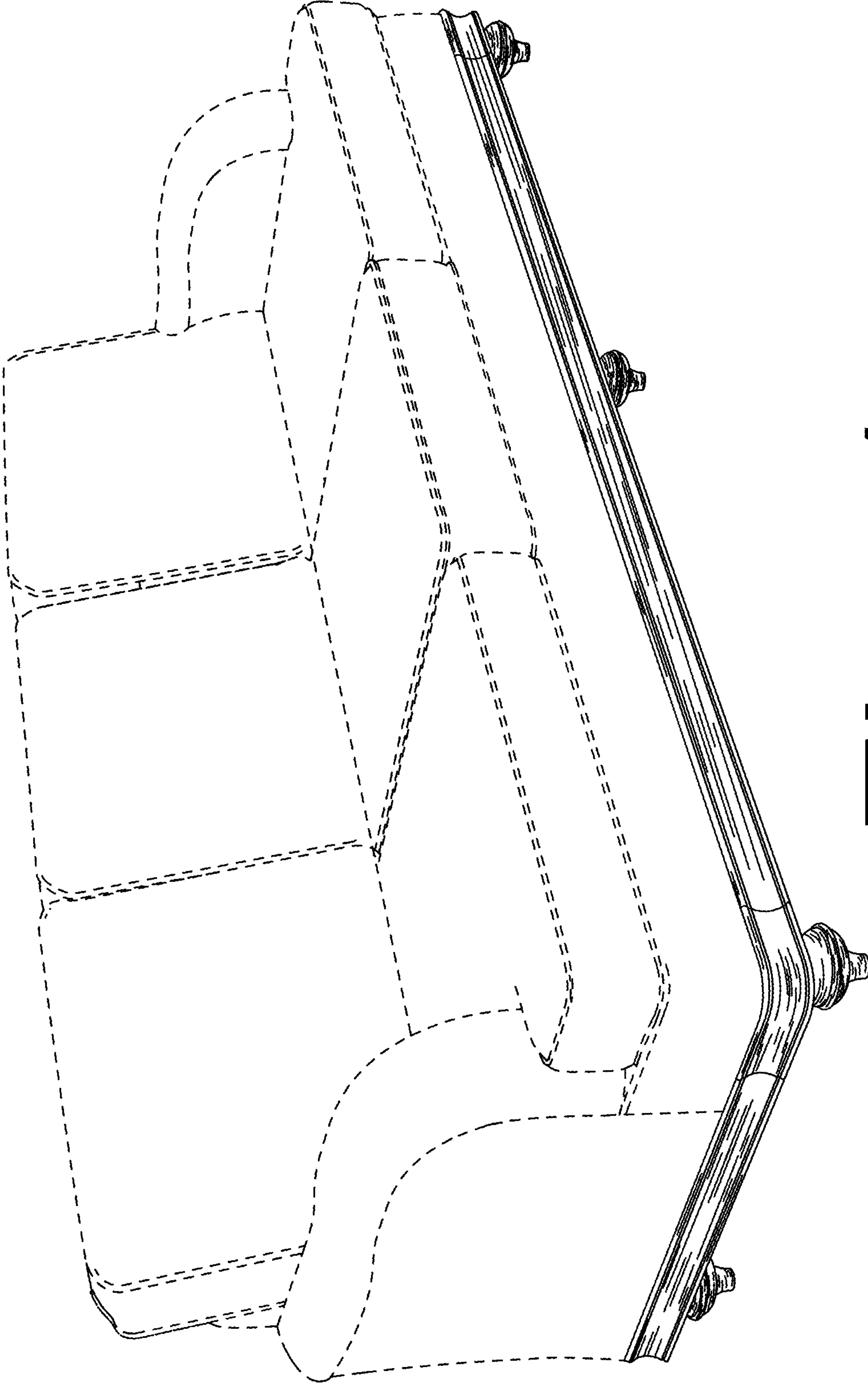


Fig. 1

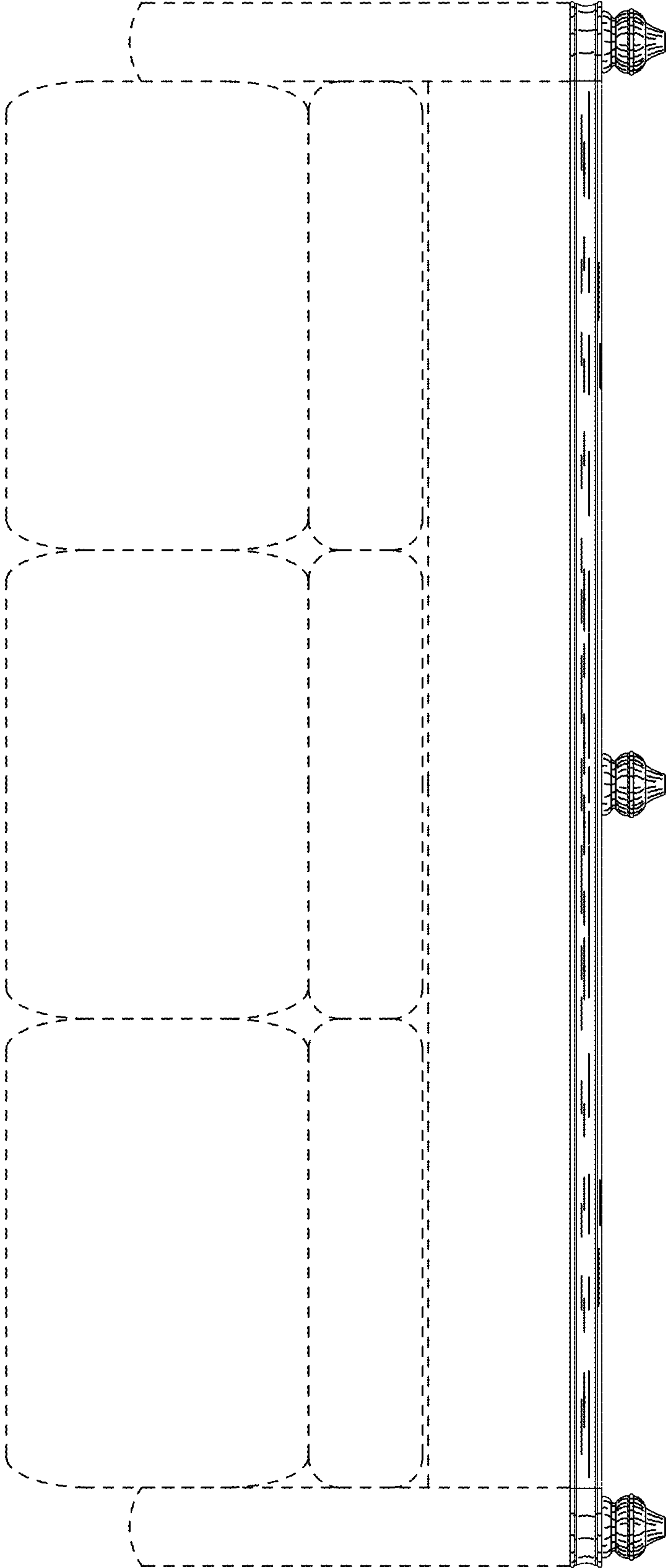


Fig. 2

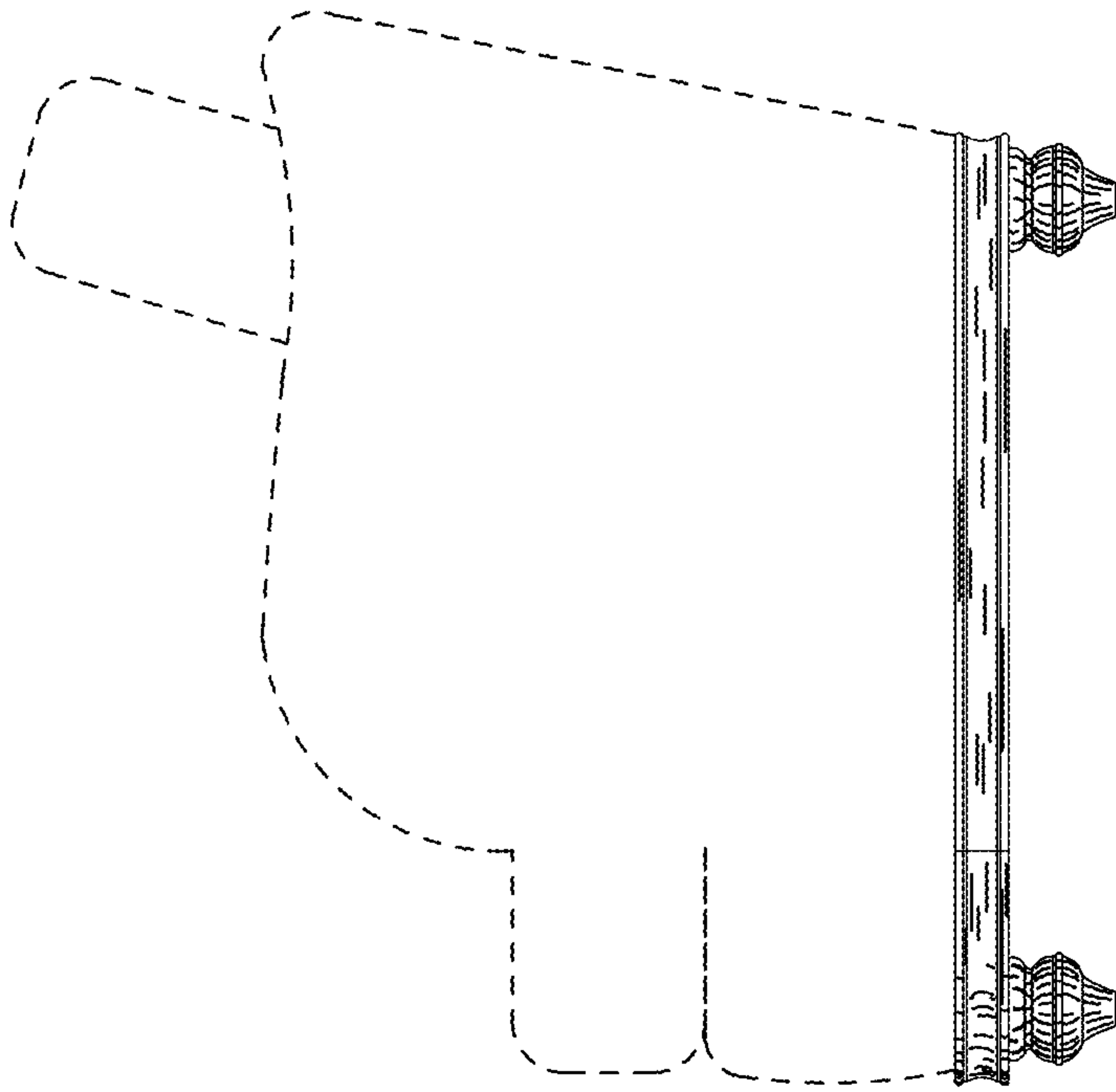


Fig. 3

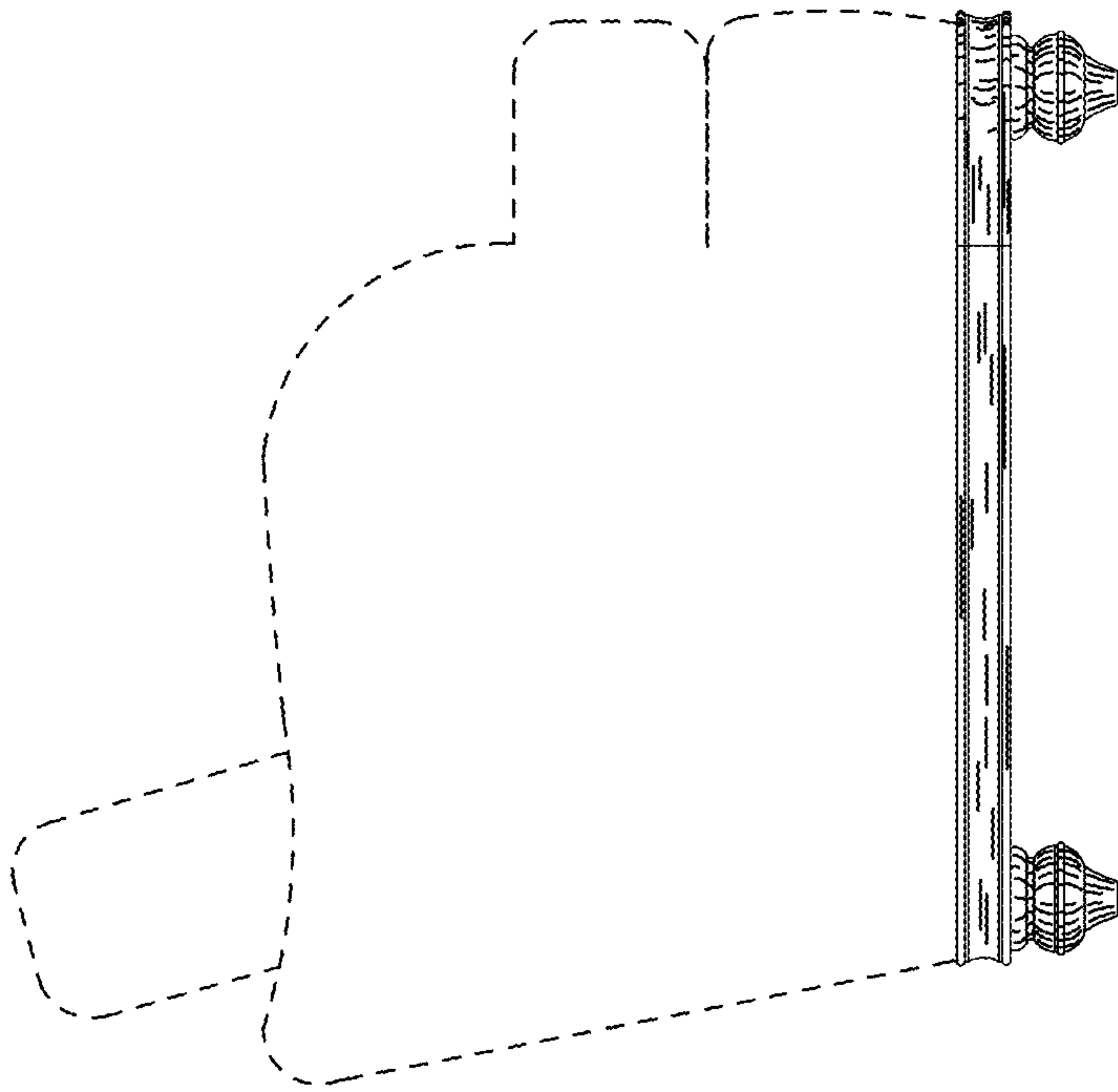


Fig. 4

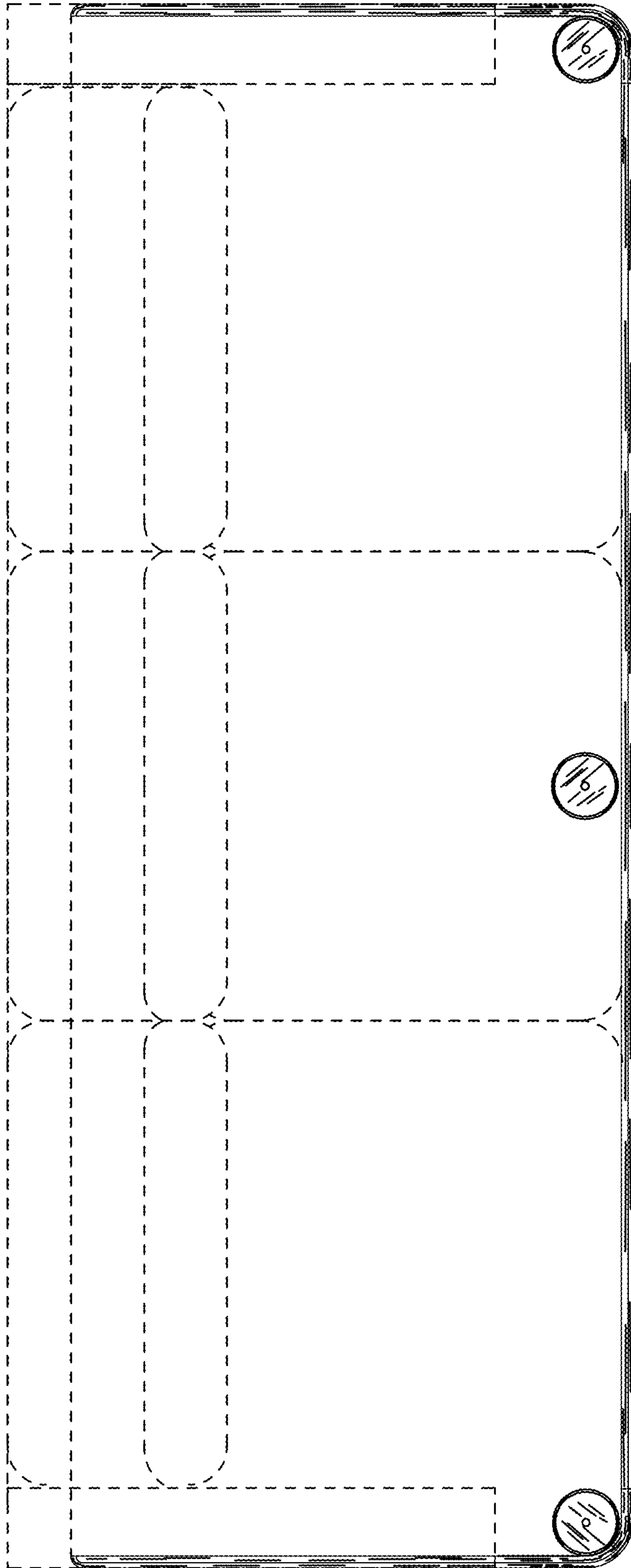


Fig. 5

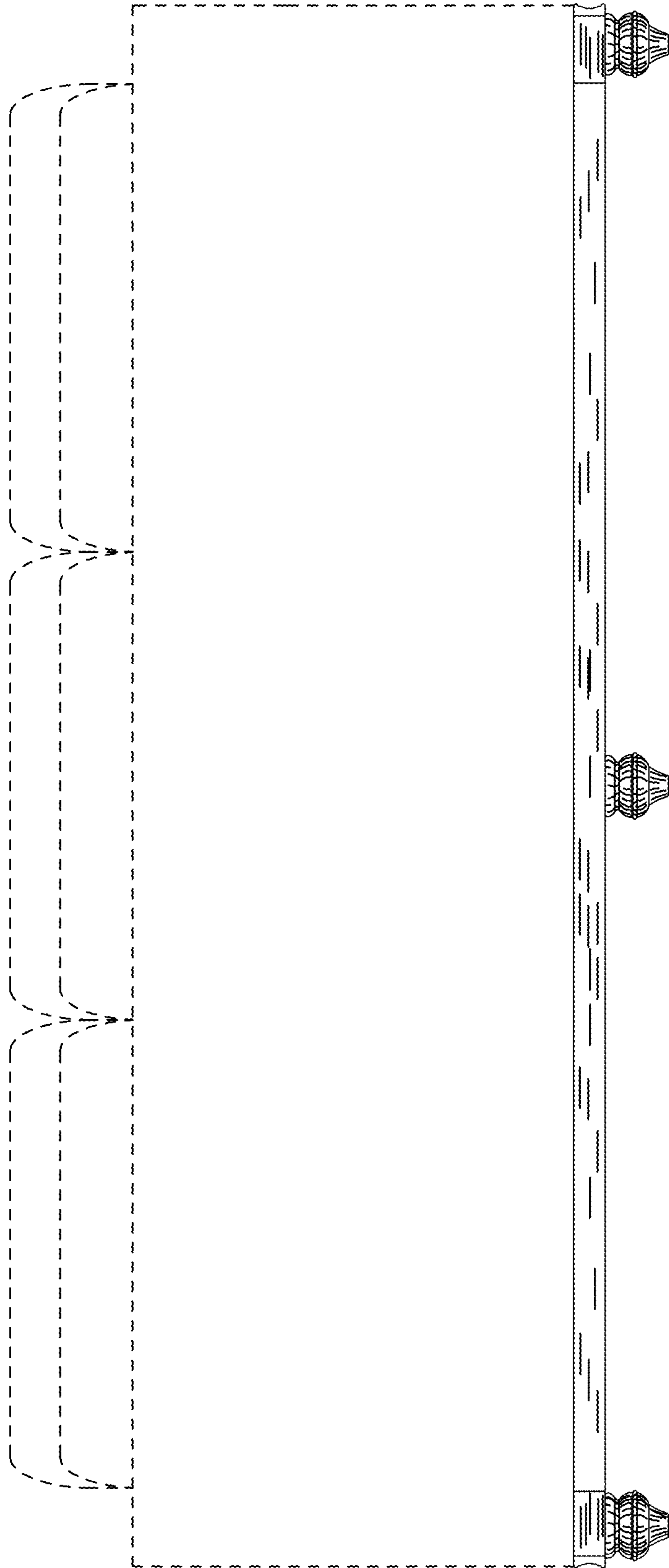


Fig. 6

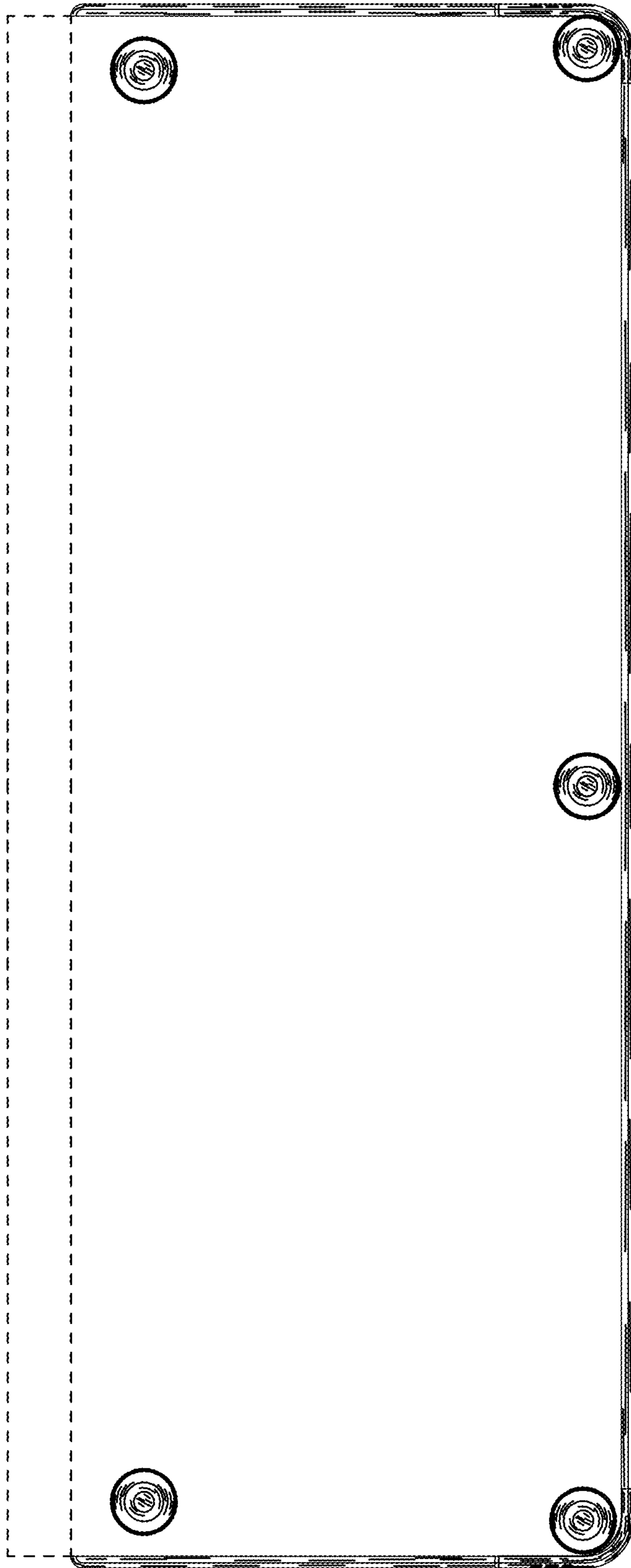


Fig. 7

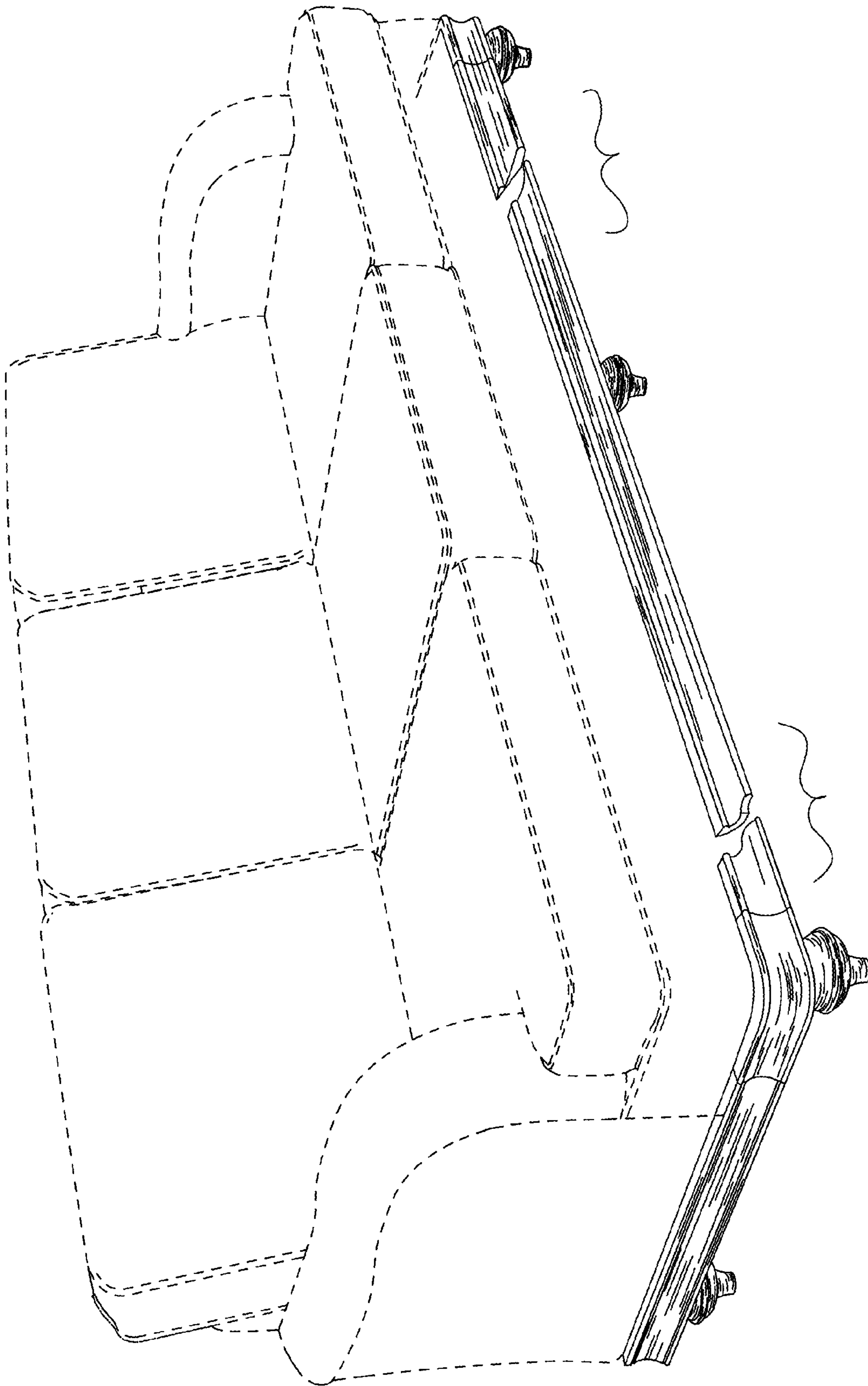


Fig. 8