



US00D882279S

(12) **United States Design Patent** (10) **Patent No.:** **US D882,279 S**
Zhu (45) **Date of Patent:** **** Apr. 28, 2020**

(54) **MIRROR**

D866,989 S * 11/2019 Zhu D6/308

* cited by examiner

(71) Applicant: **SHENZHEN SMILE TECHNOLOGY CO., LTD**, Shenzhen (CN)

Primary Examiner — Deanna L Pratt

(72) Inventor: **Han Zhu**, Jixi (CN)

(57) **CLAIM**

The ornamental design for a mirror, as shown and described.

(73) Assignee: **SHENZHEN SMILE TECHNOLOGY CO., LTD**, Shenzhen (CN)

DESCRIPTION

(**) Term: **15 Years**

(21) Appl. No.: **29/720,474**

(22) Filed: **Jan. 14, 2020**

(51) **LOC (12) Cl.** **06-06**

(52) **U.S. Cl.**

USPC **D6/308**; D6/310

(58) **Field of Classification Search**

USPC D6/300–314

CPC .. A47G 1/00; A47G 2001/002; F21V 33/004; A45D 42/10

See application file for complete search history.

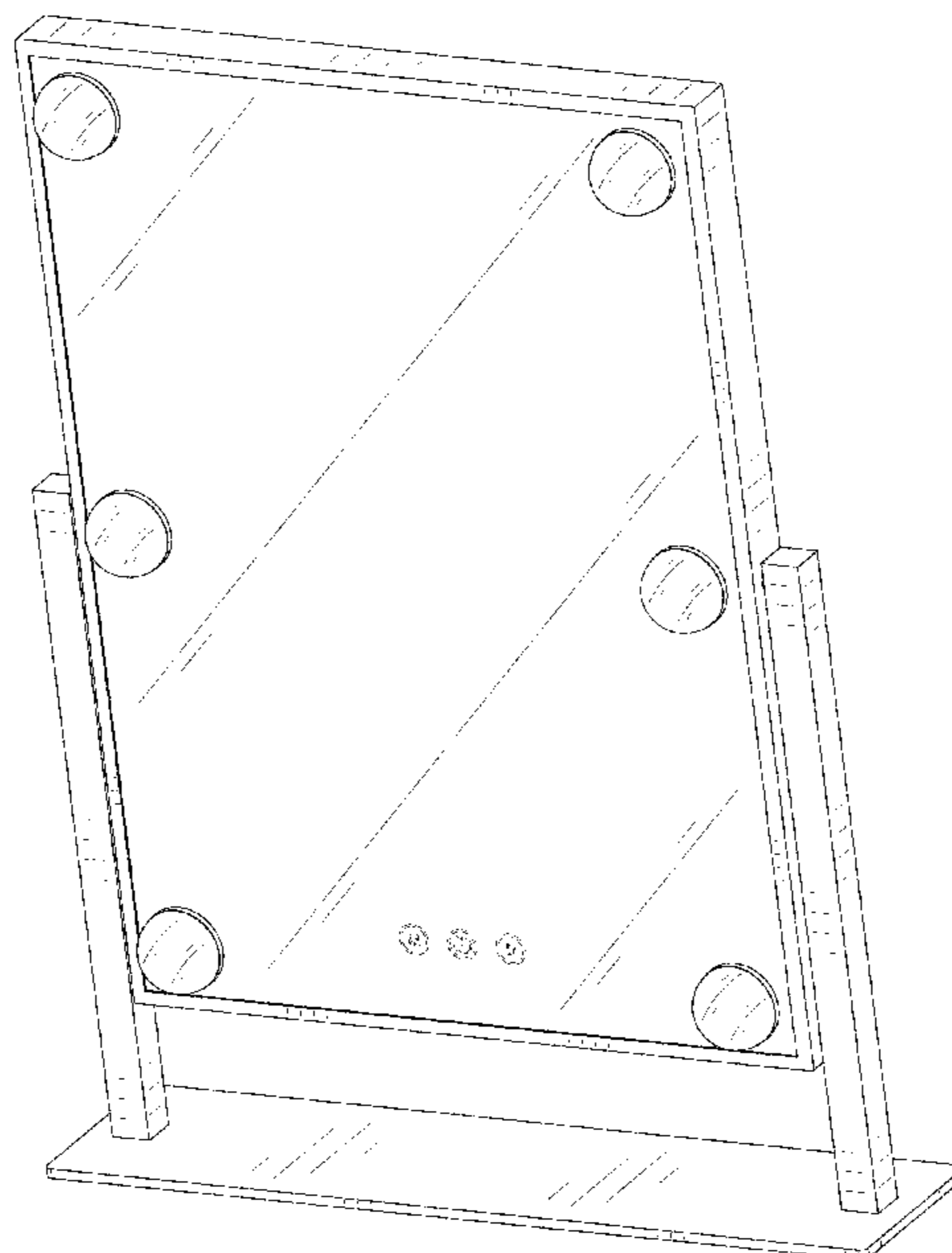
FIG. 1 is a perspective view of a first embodiment of a mirror showing my new design; FIG. 2 is another perspective thereof; FIG. 3 is a front elevational view thereof; FIG. 4 is a rear elevational view thereof; FIG. 5 is a left side elevational view thereof; FIG. 6 is a right side elevational view thereof; FIG. 7 is a top plan view thereof; FIG. 8 is a bottom plan view thereof; FIG. 9 is a perspective view of a second embodiment of the mirror showing my new design; FIG. 10 is another perspective view thereof; FIG. 11 is a front elevational view thereof; FIG. 12 is a rear elevational view thereof; FIG. 13 is a left side elevational view thereof; FIG. 14 is a right side elevational view thereof; FIG. 15 is a top plan view thereof; FIG. 16 is a bottom plan view thereof; FIG. 17 is a perspective view of a third embodiment of the mirror showing my new design; FIG. 18 is another perspective view thereof; FIG. 19 is a front elevational view thereof; FIG. 20 is a rear elevational view thereof; FIG. 21 is a left side elevational view thereof; FIG. 22 is a right side elevational view thereof; FIG. 23 is a top plan view thereof; and, FIG. 24 is a bottom plan view thereof. The broken lines in the drawings depict portions of the mirror that form no part of the claimed design.

(56) **References Cited**

U.S. PATENT DOCUMENTS

D210,340 S *	2/1968	D'Elia et al.	D6/308
D216,927 S *	3/1970	Cole et al.	D6/308
3,737,646 A *	6/1973	Burrows F21V 33/00	362/140
D439,094 S *	3/2001	Melillo	D6/561
D546,566 S	7/2007	Mischel, Jr.	
D547,072 S	7/2007	Mischel, Jr. et al.	
D779,217 S *	2/2017	Zhang	D6/308
D779,835 S *	2/2017	Zhang	D6/300
D809,322 S *	2/2018	Choi	D6/664.1
D812,384 S *	3/2018	Zhu	D6/311
D859,011 S	9/2019	Liu	

1 Claim, 24 Drawing Sheets



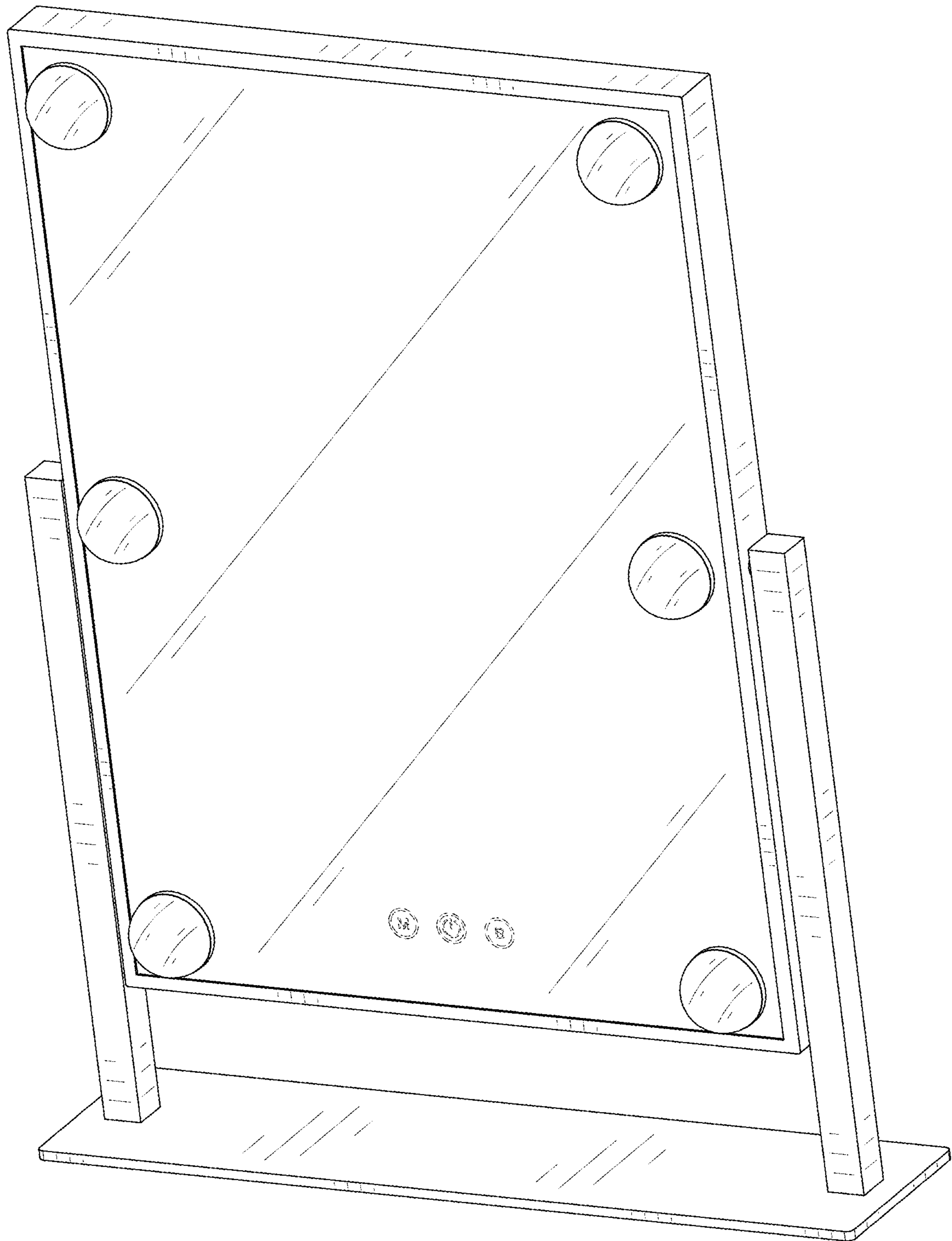


FIG. 1

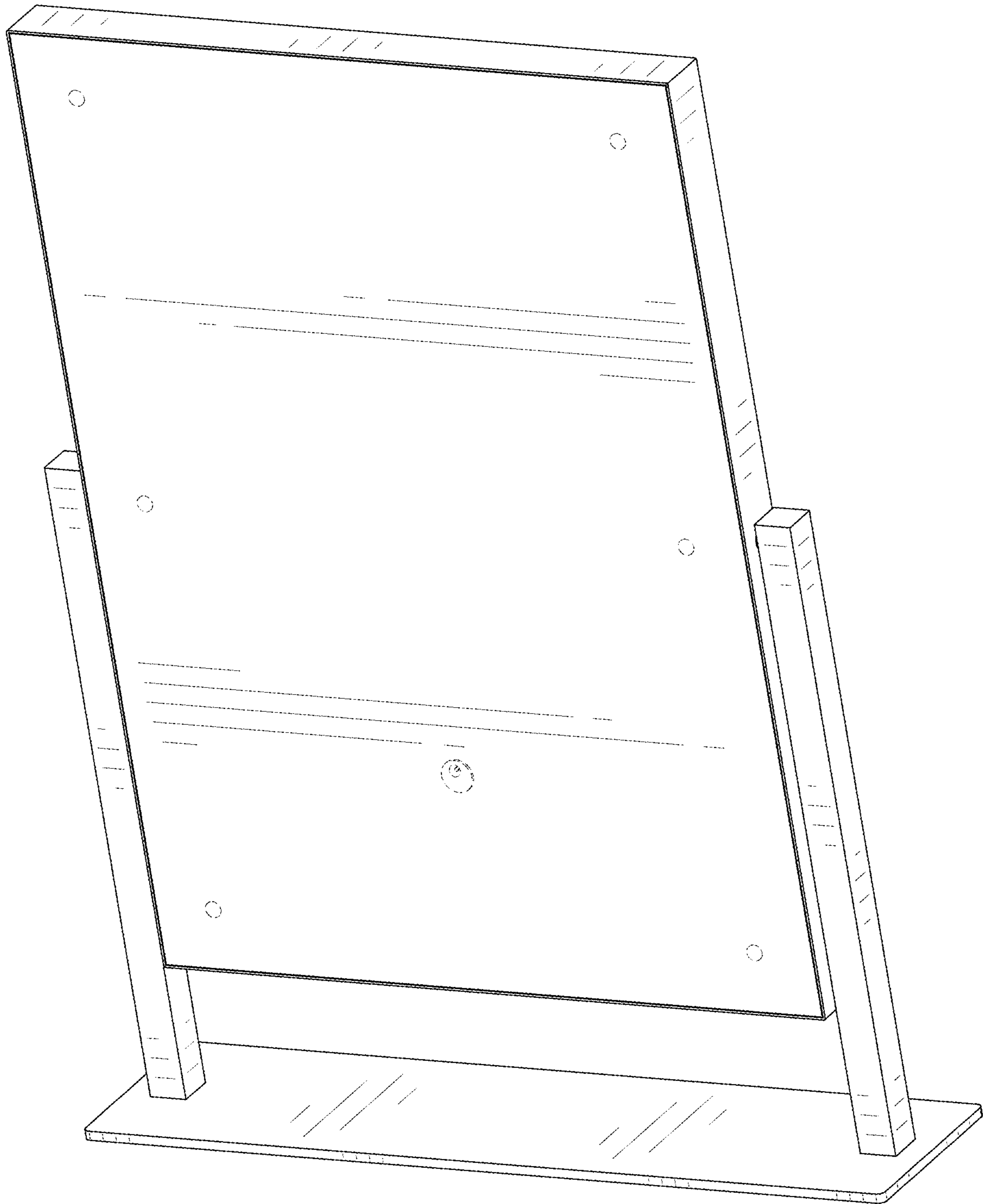


FIG. 2

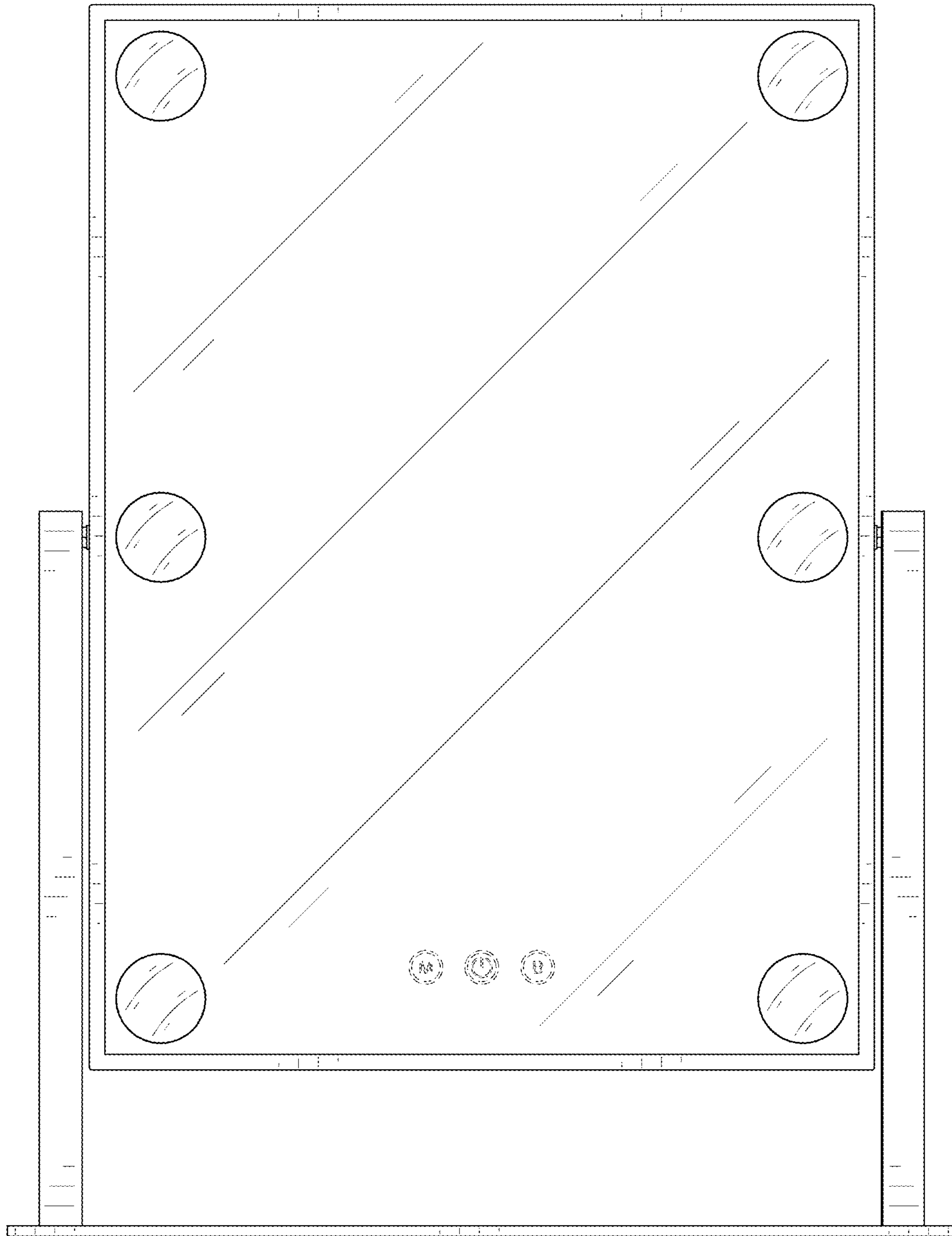


FIG. 3

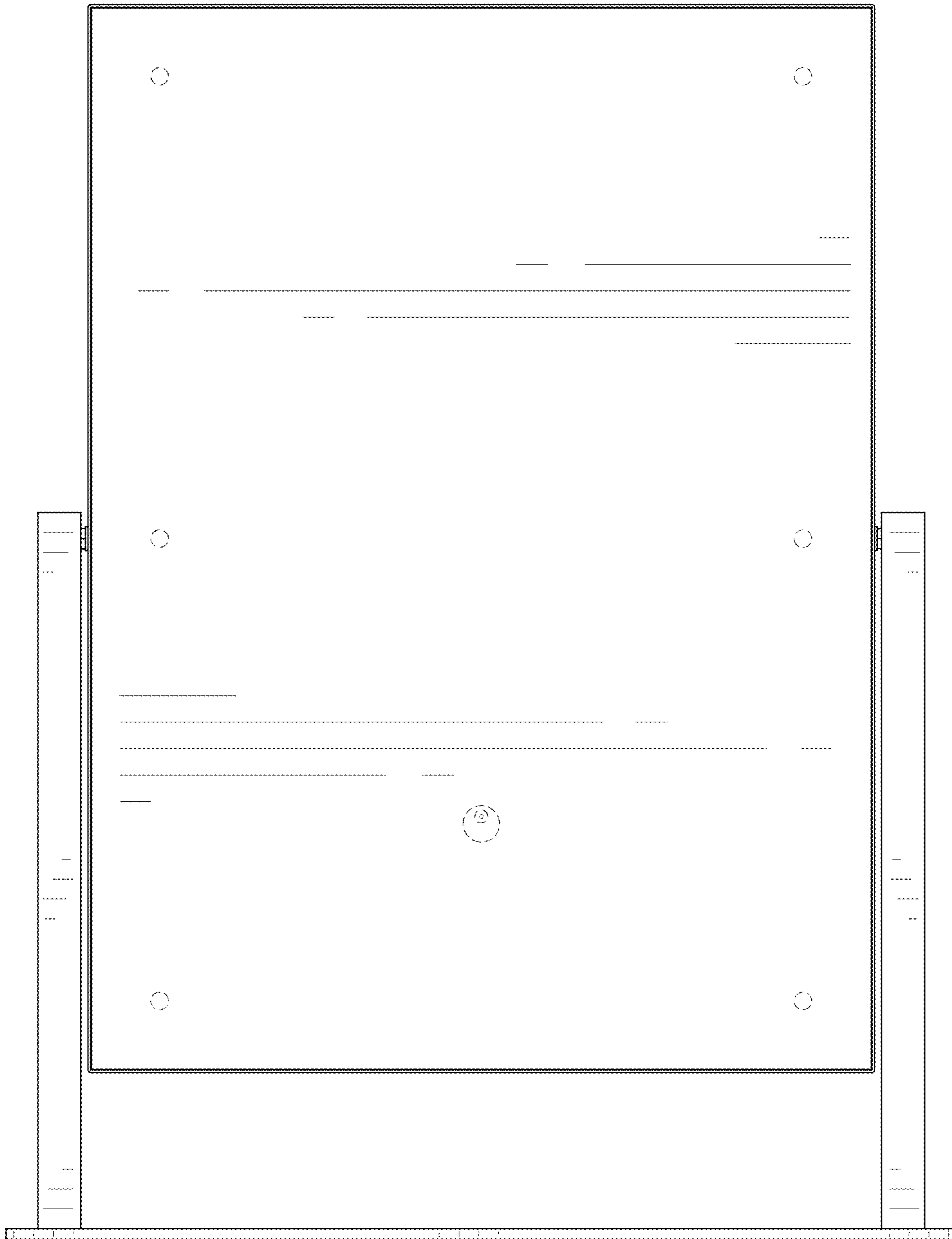


FIG. 4

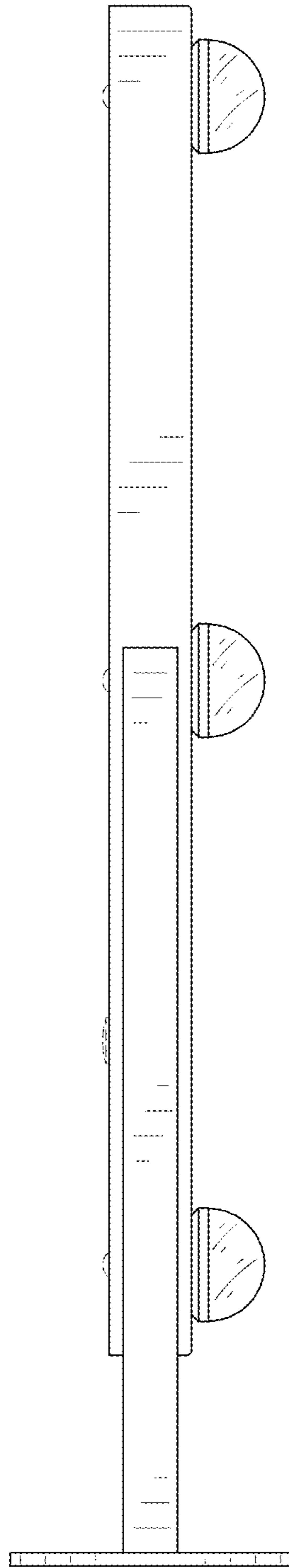


FIG. 5

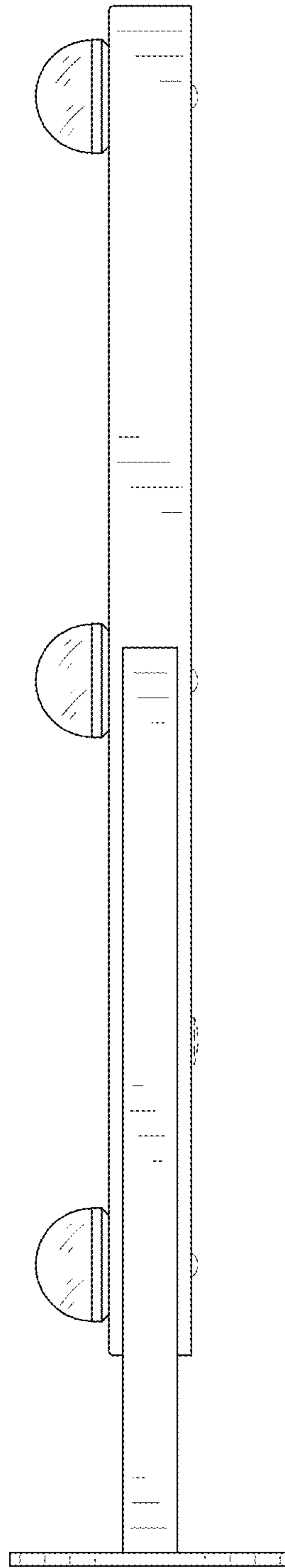


FIG. 6

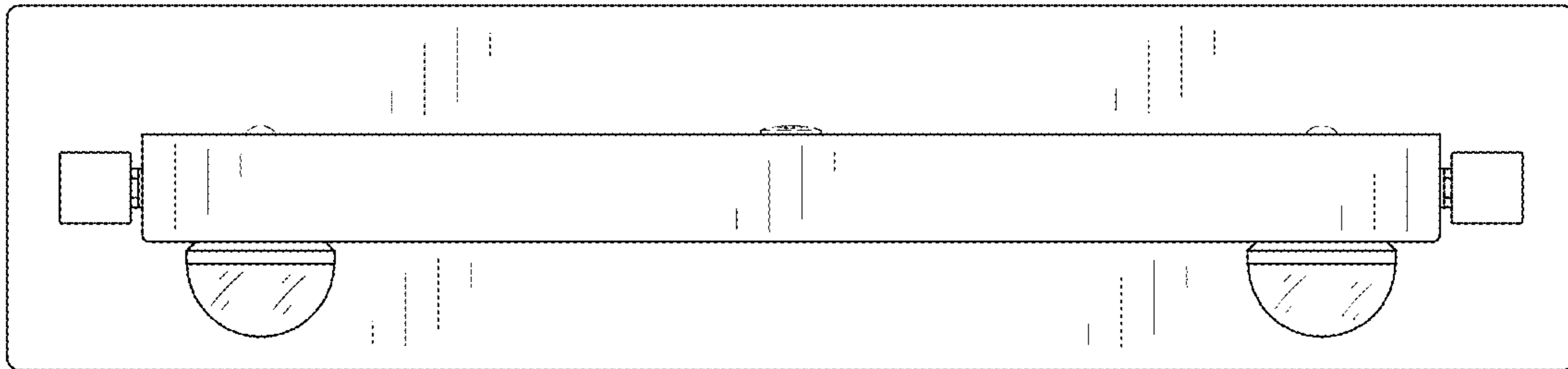


FIG. 7

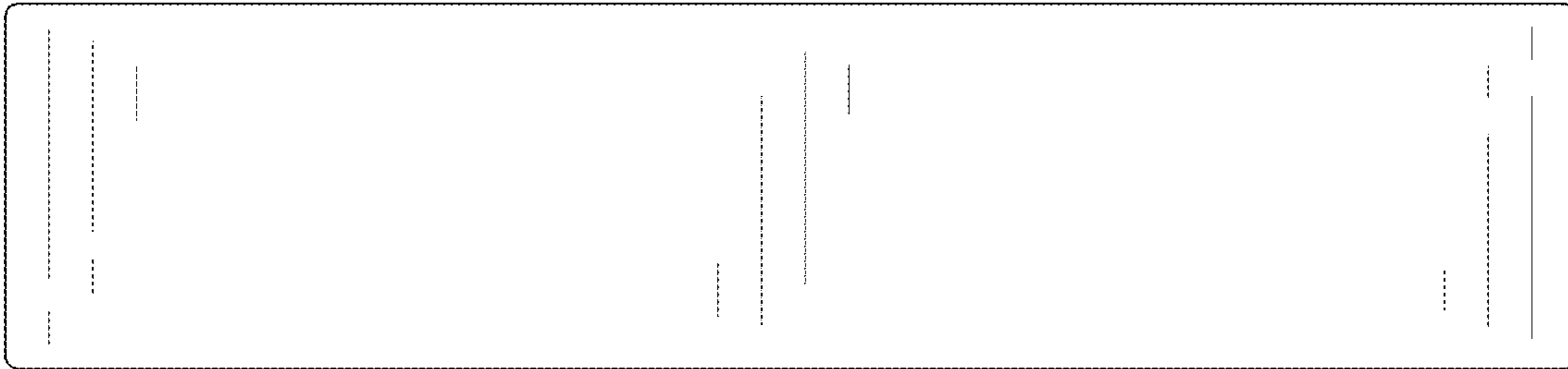


FIG. 8

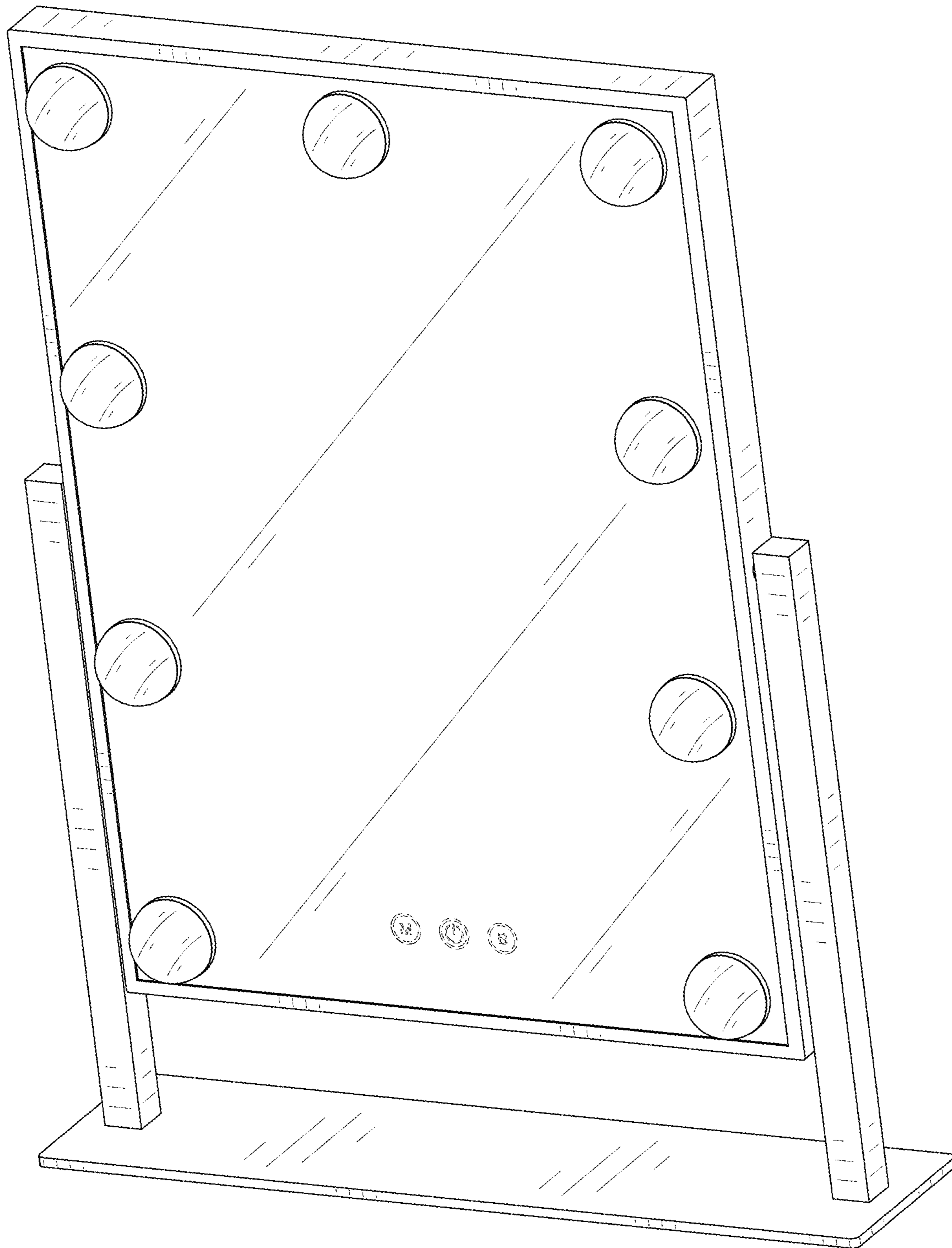


FIG. 9

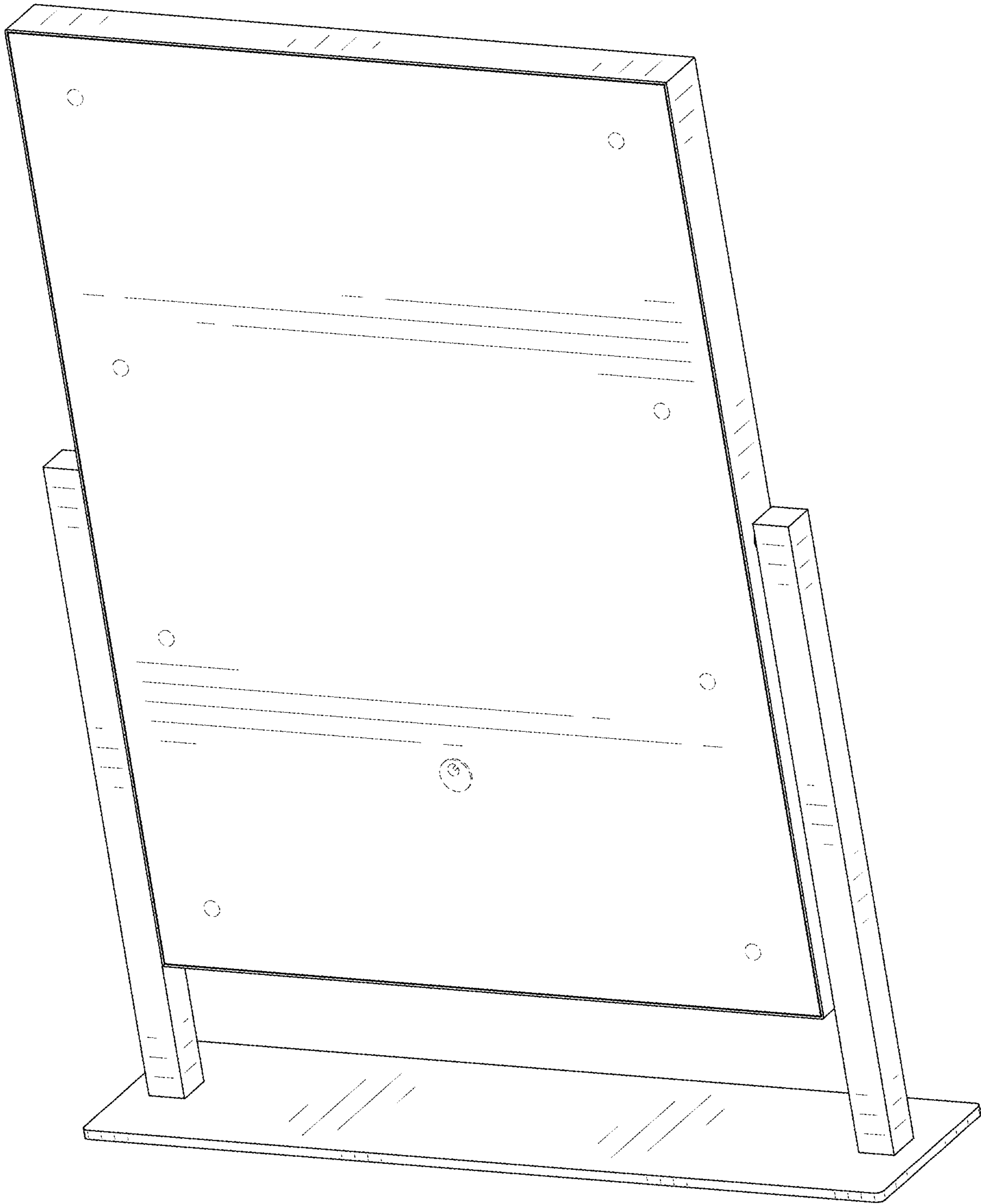


FIG. 10

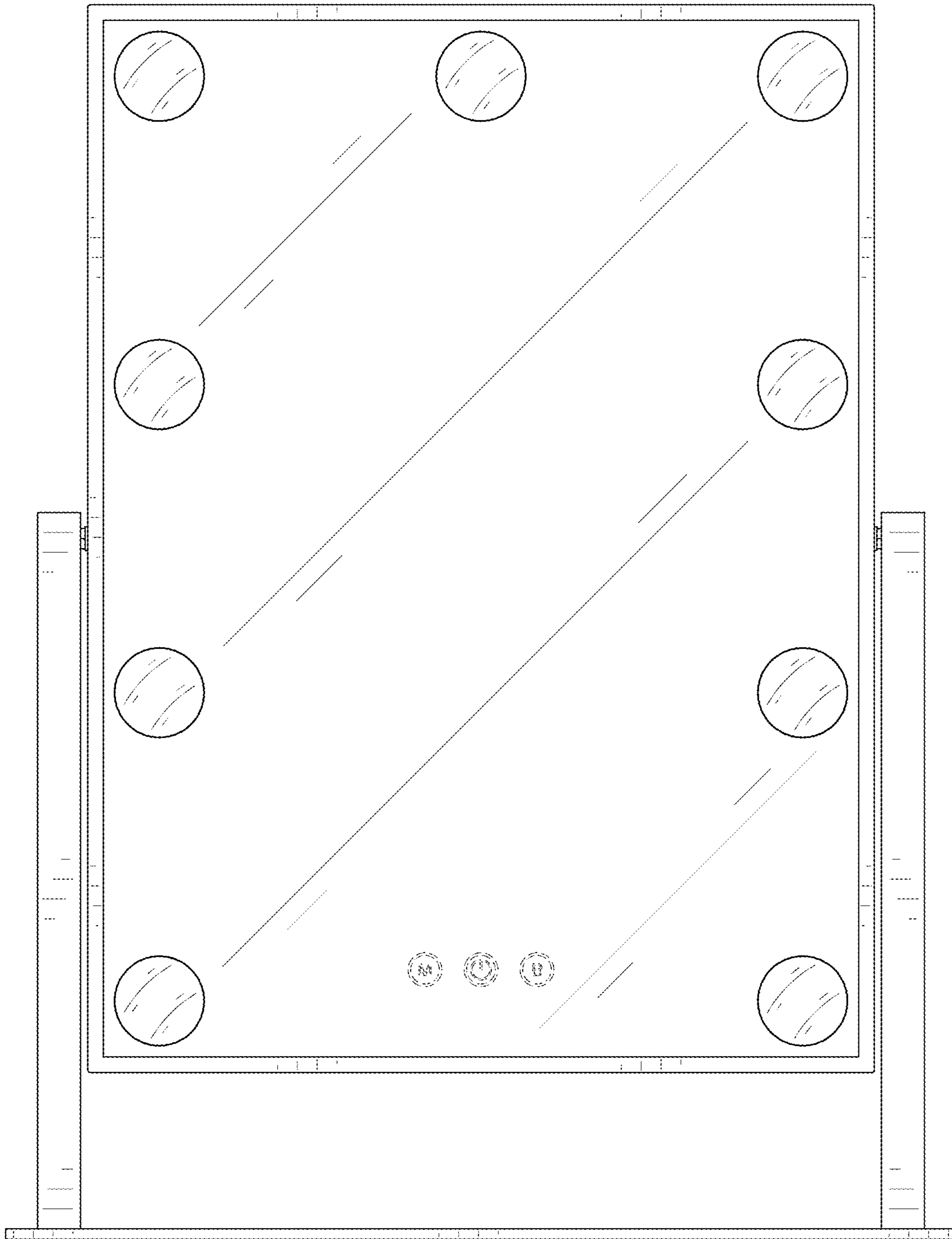


FIG. 11

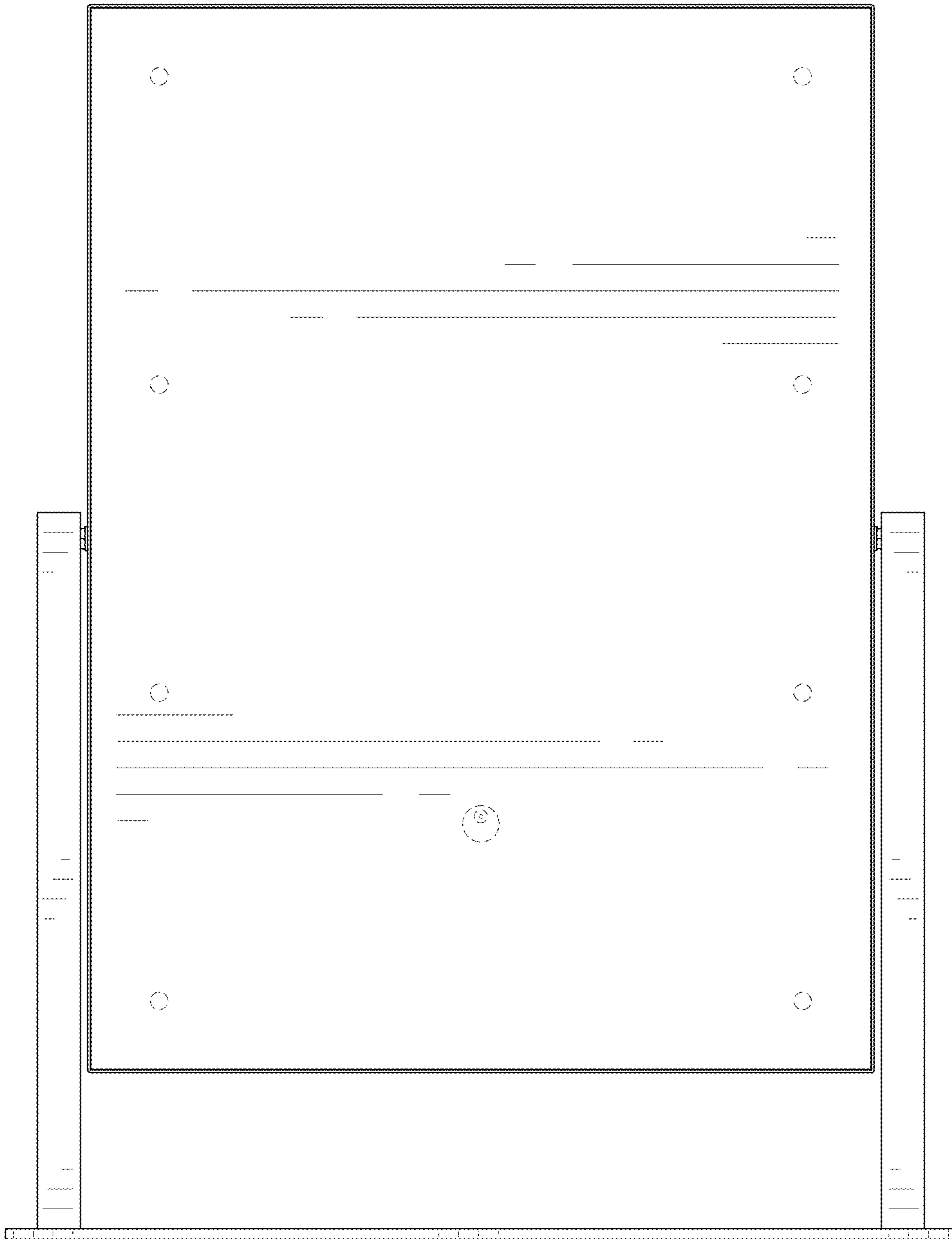


FIG. 12

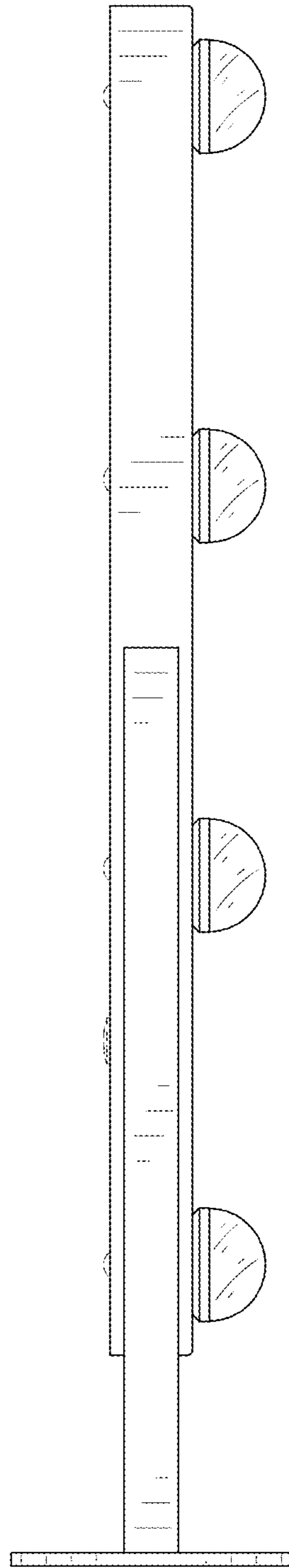


FIG. 13

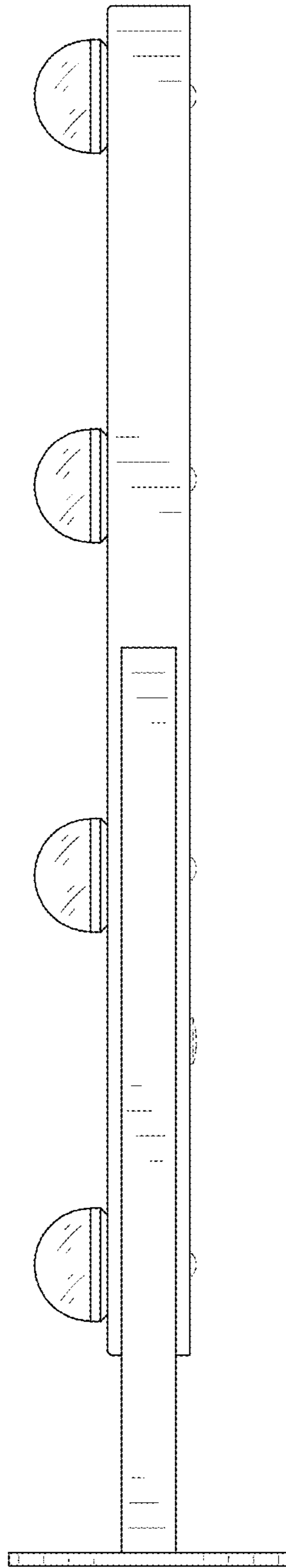


FIG. 14

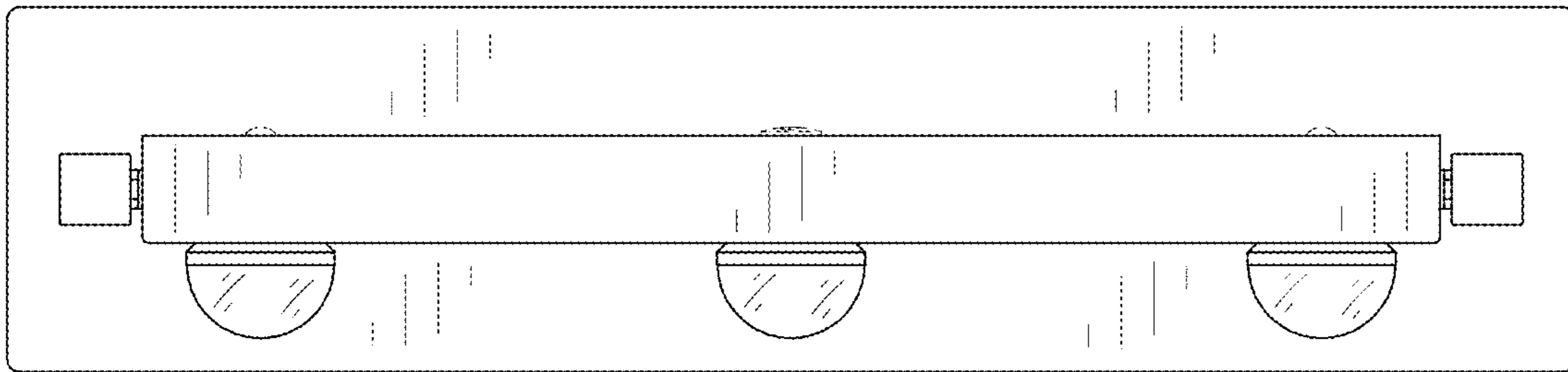


FIG. 15

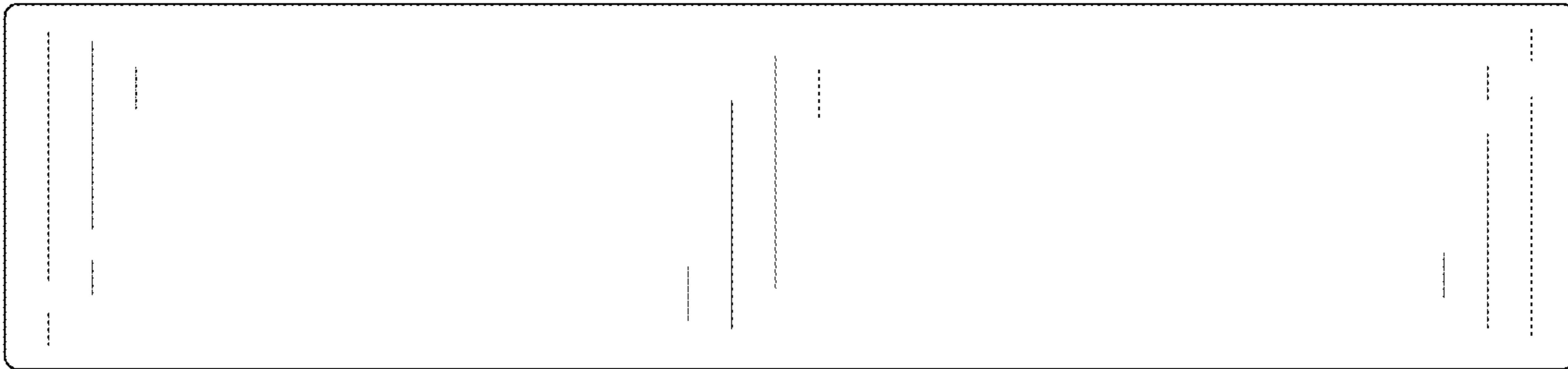


FIG. 16

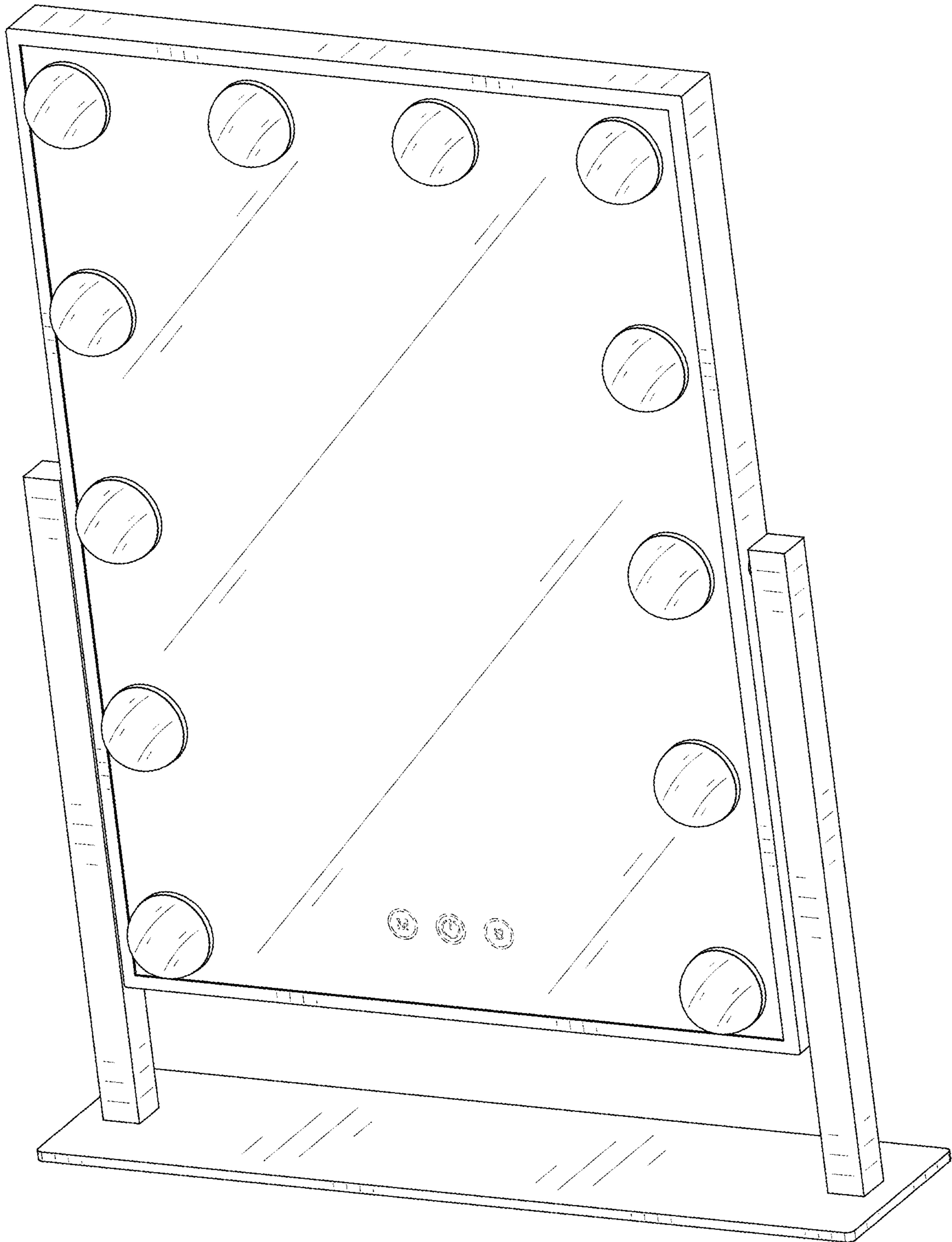


FIG. 17

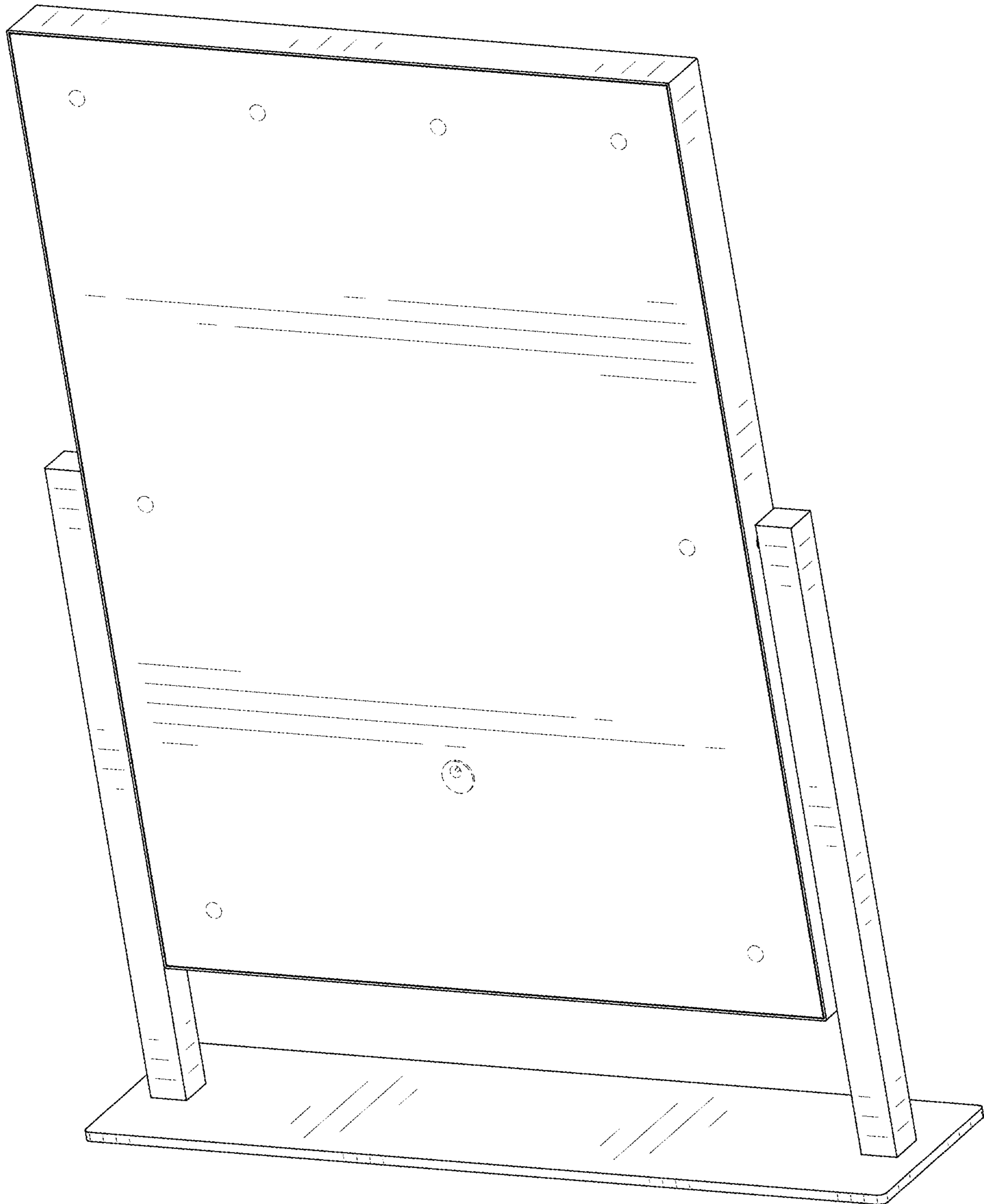


FIG. 18

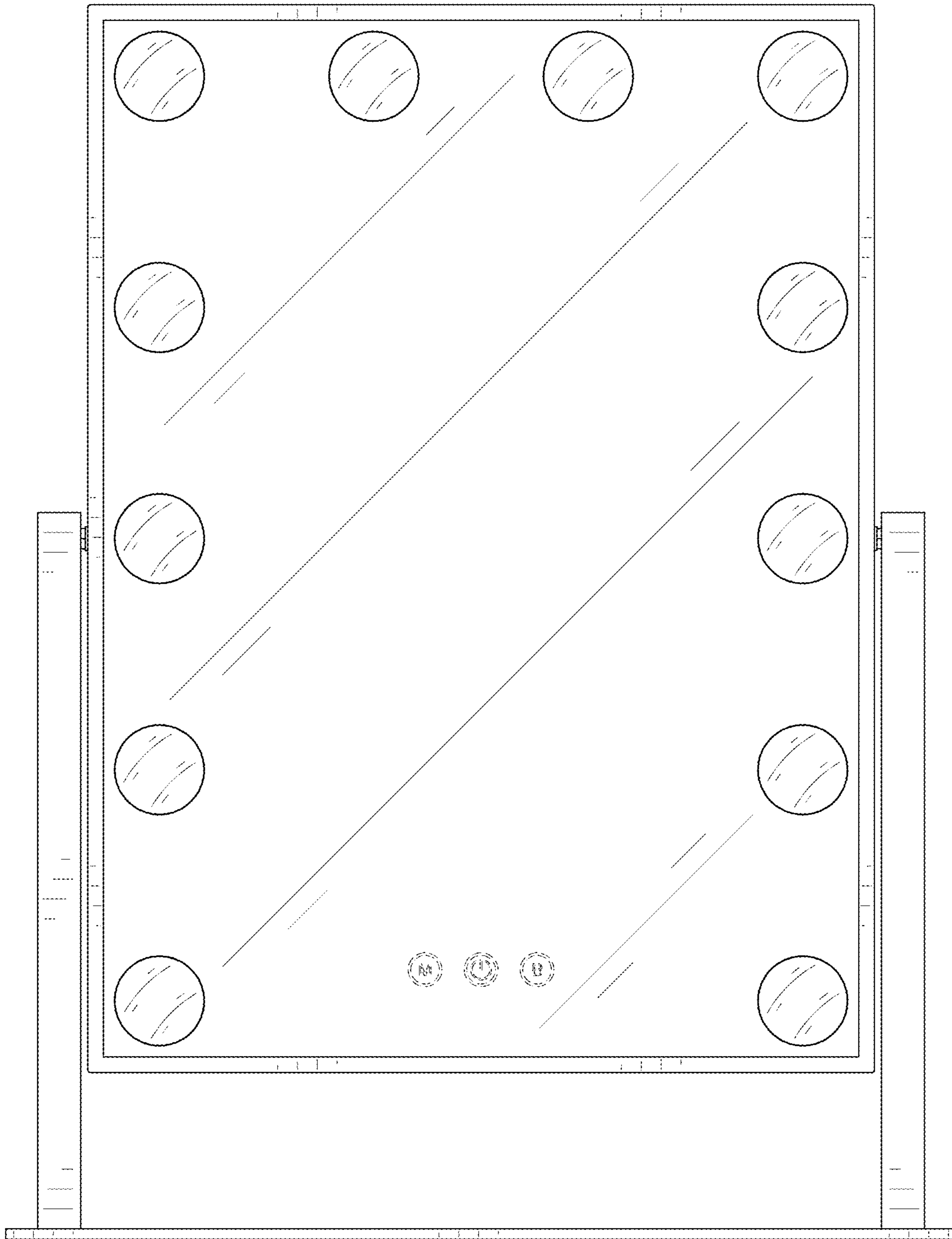


FIG. 19

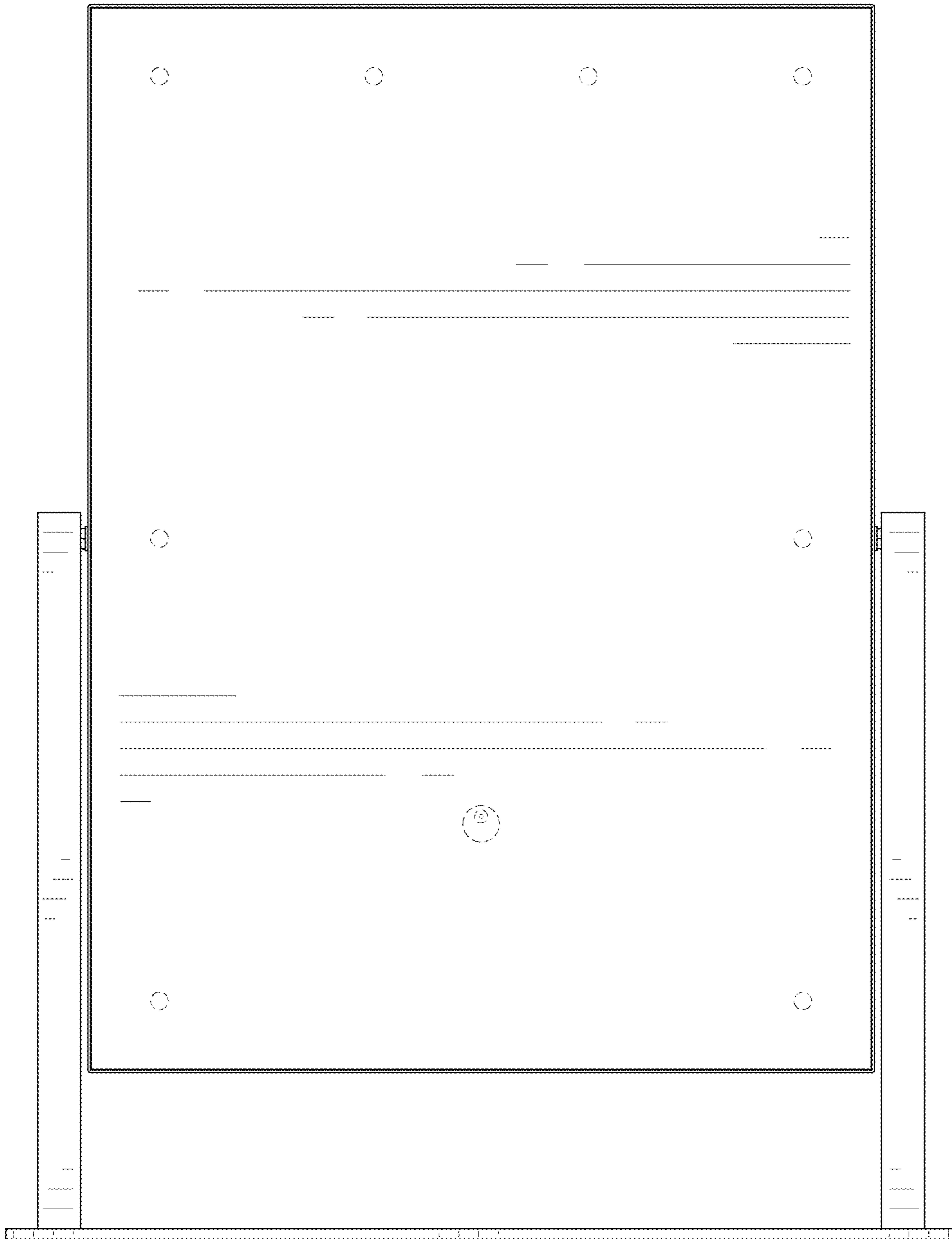


FIG. 20

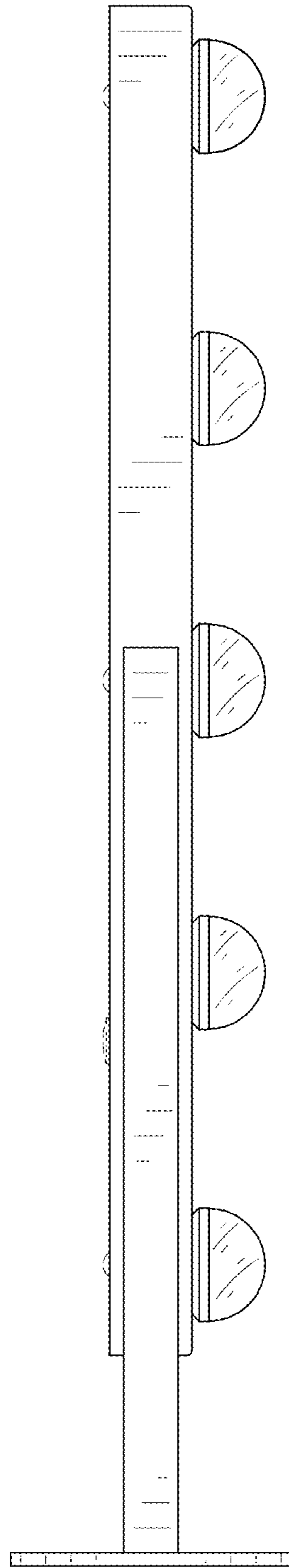


FIG. 21

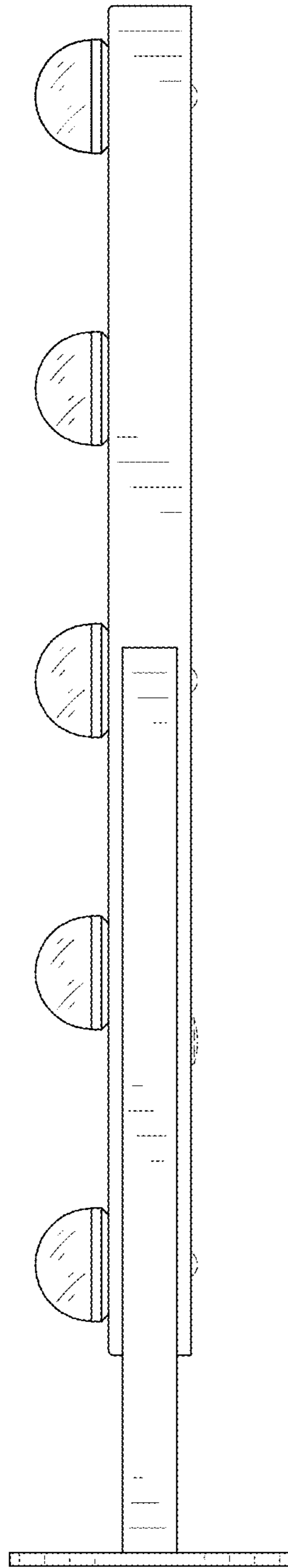


FIG. 22

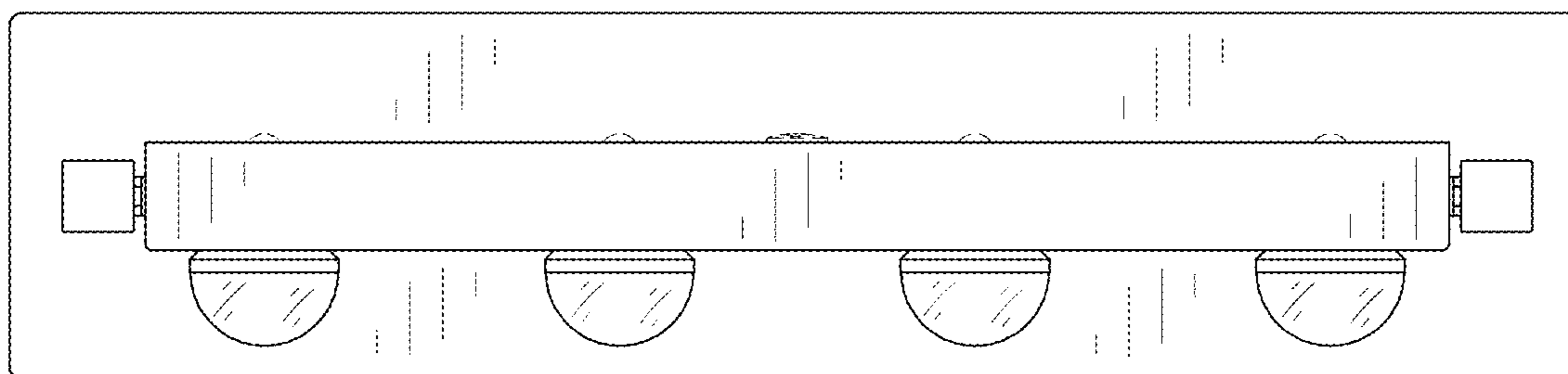


FIG. 23

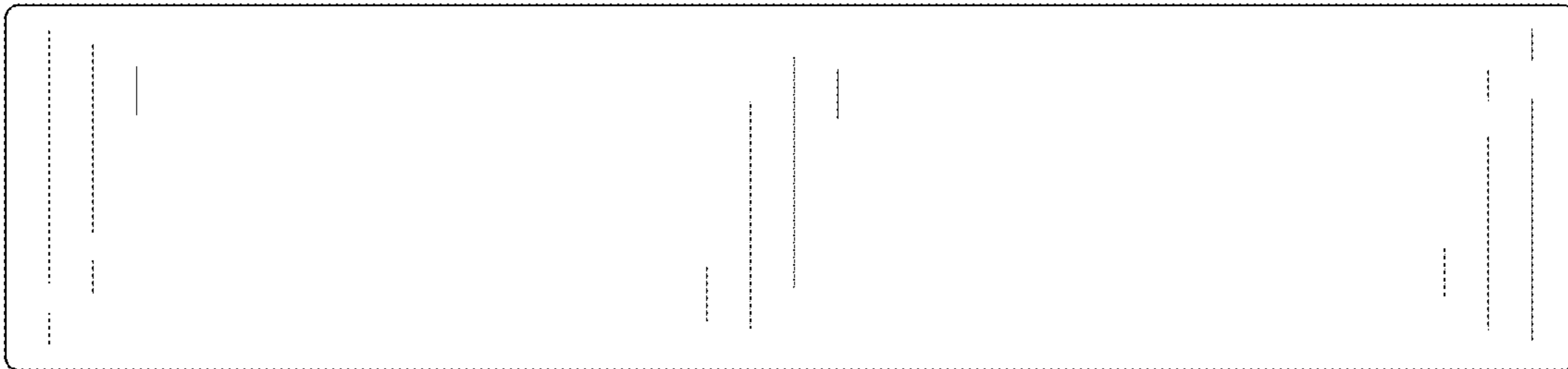


FIG. 24



US00D882279C1

(12) **EX PARTE REEXAMINATION CERTIFICATE** (12360th)
United States Patent
Zhu

(10) **Number:** **US D882,279 C1**
(45) **Certificate Issued:** **Aug. 15, 2023**

(54) **MIRROR**

(71) Applicant: **SHENZHEN SMILE TECHNOLOGY CO., LTD**, Shenzhen (CN)

(72) Inventor: **Han Zhu**, Jixi (CN)

(73) Assignee: **SHENZHEN SMILE TECHNOLOGY CO., LTD**, Shenzhen (CN)

(51) **LOC (14) Cl.** 06-06

(52) **U.S. Cl.**
USPC **D6/308**; D6/310

(58) **Field of Classification Search**
USPC D6/300, 301, 308, 310
CPC .. A47G 1/00; A47G 2001/002; F21V 33/004;
A45D 42/10

See application file for complete search history.

Reexamination Request:

No. 90/014,884, Oct. 15, 2021

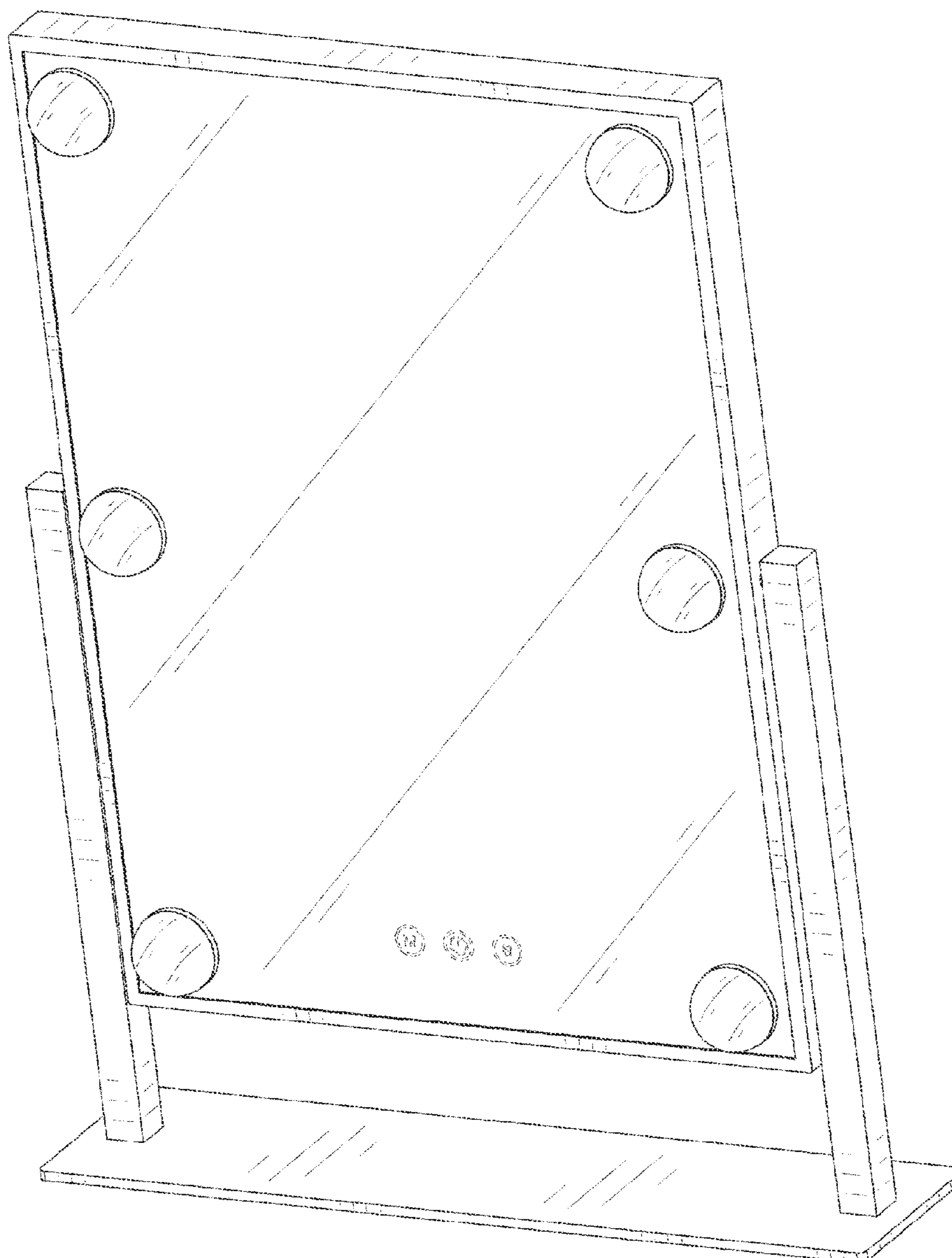
Reexamination Certificate for:

Patent No.: **Des. 882,279**
Issued: **Apr. 28, 2020**
Appl. No.: **29/720,474**
Filed: **Jan. 14, 2020**

(56) **References Cited**

To view the complete listing of prior art documents cited during the proceeding for Reexamination Control Number 90/014,884, please refer to the USPTO's Patent Electronic System.

Primary Examiner — Philip S Hyder



1
EX PARTE
REEXAMINATION CERTIFICATE

THE PATENT IS HEREBY AMENDED AS
INDICATED BELOW.

5

AS A RESULT OF REEXAMINATION, IT HAS BEEN
DETERMINED THAT:

The claim 1 is cancelled.

10

* * * * *