



US00D882275S

(12) **United States Design Patent**
Ekström

(10) **Patent No.:** **US D882,275 S**

(45) **Date of Patent:** **** Apr. 28, 2020**

(54) **PAINTBRUSH EXTENSION POLE ADAPTER**

(71) Applicant: **WAGNER PENSEL AB**, Bankeryd (SE)

(72) Inventor: **Bo Ekström**, Vetlanda (SE)

(73) Assignee: **Wagner Pensel AB**, Bankeryd (SE)

(**) Term: **15 Years**

(21) Appl. No.: **35/506,072**

(22) Filed: **May 15, 2018**

(80) **Hague Agreement Data**

Int. Filing Date: **May 15, 2018**

Int. Reg. No.: **DM/103692**

Int. Reg. Date: **May 15, 2018**

Int. Reg. Pub. Date: **Nov. 23, 2018**

(51) **LOC (12) Cl.** **04-99**

(52) **U.S. Cl.**
USPC **D4/138**

(58) **Field of Classification Search**
USPC D6/715.1; D8/363; D4/138, 135, 199
CPC B25G 1/04; F16B 7/1427
See application file for complete search history.

(56) **References Cited**

U.S. PATENT DOCUMENTS

D450,932 S * 11/2001 Varriale D4/138
D452,616 S * 1/2002 Varriale D4/138

D452,994 S * 1/2002 Mink D4/138
D519,820 S * 5/2006 Newman D8/1
D538,133 S * 3/2007 Richardson D8/339
D577,553 S * 9/2008 Faust D8/14
D583,425 S * 12/2008 Kushner D21/686
D658,389 S * 5/2012 Salgatar D4/135
D661,905 S * 6/2012 Best D4/115
D712,002 S * 8/2014 Bolton D22/108
D757,528 S * 5/2016 Wyss D8/373
D825,190 S * 8/2018 Hu D4/102
D869,647 S * 12/2019 Dorsey D24/112

* cited by examiner

Primary Examiner — Eliza Z Bennett-Hattan

(74) *Attorney, Agent, or Firm* — FisherBroyles, LLP

(57) **CLAIM**

The ornamental design for a paintbrush extension pole adapter, as shown and described.

DESCRIPTION

11. Paintbrush extension pole adapters

11.1 : Left

11.2 : Bottom

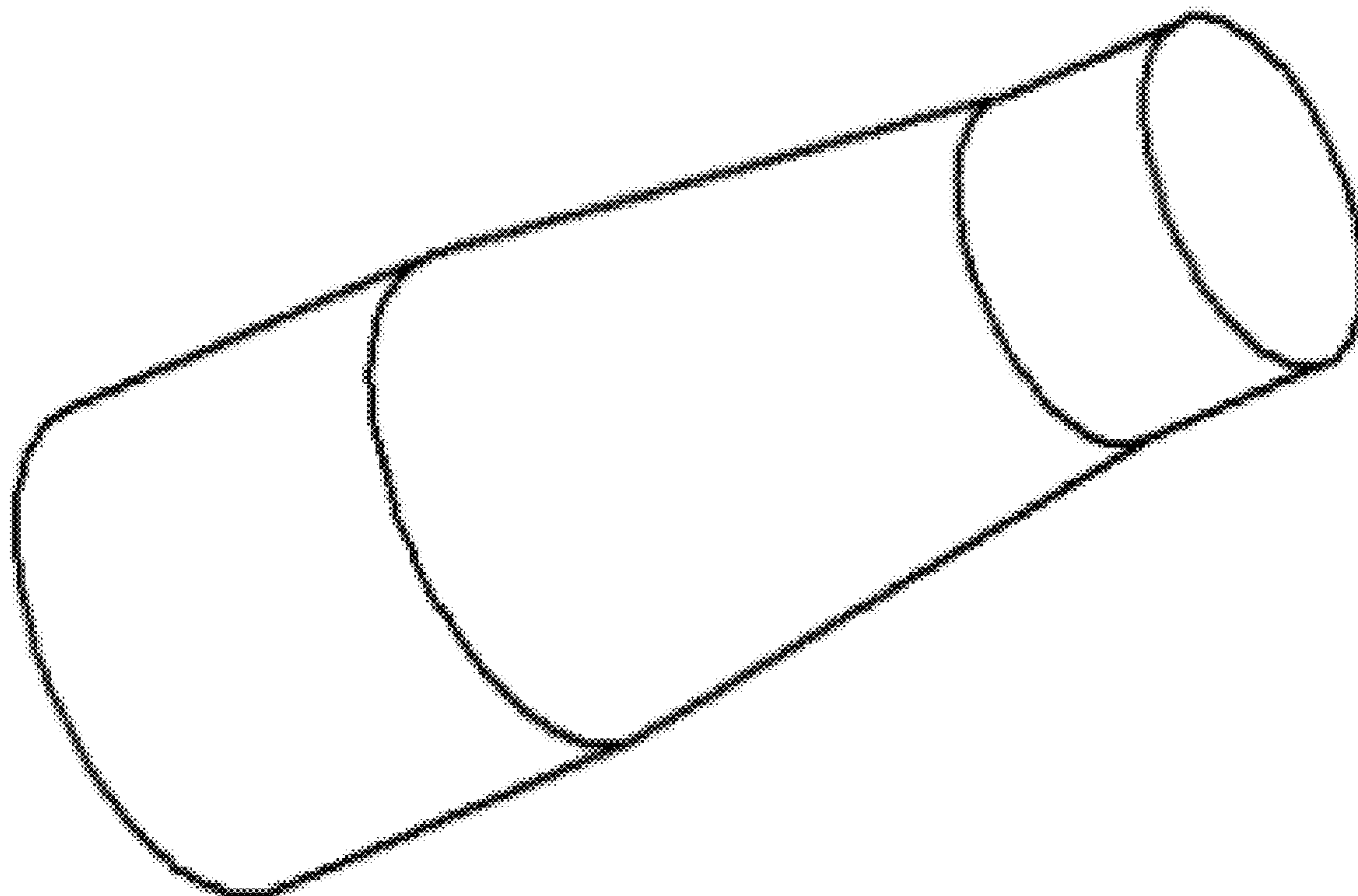
11.3 : Right

11.4 : Perspective

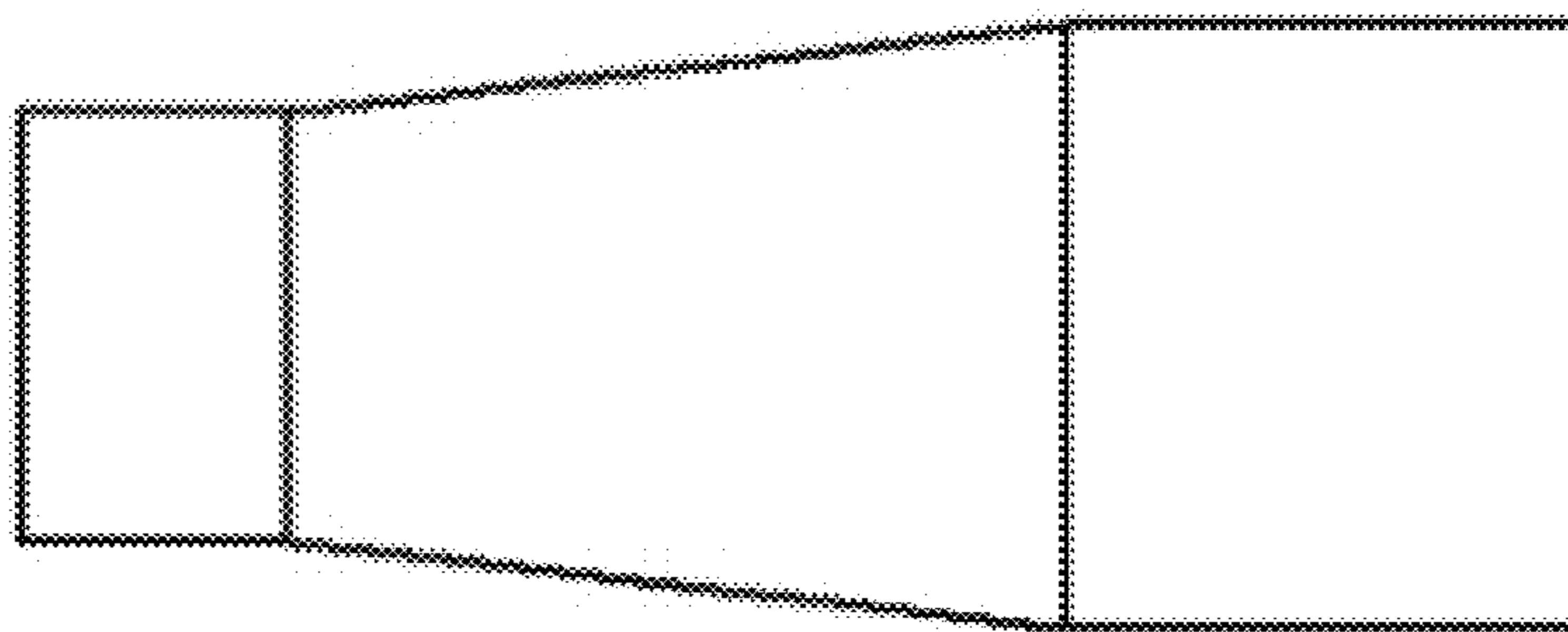
11.5 : Perspective

The objects of the designs are extension pole adapters for paintbrushes, which all have in common that the shafts are hollow; the fastening is made by twisting thereof clockwise and counterclockwise.

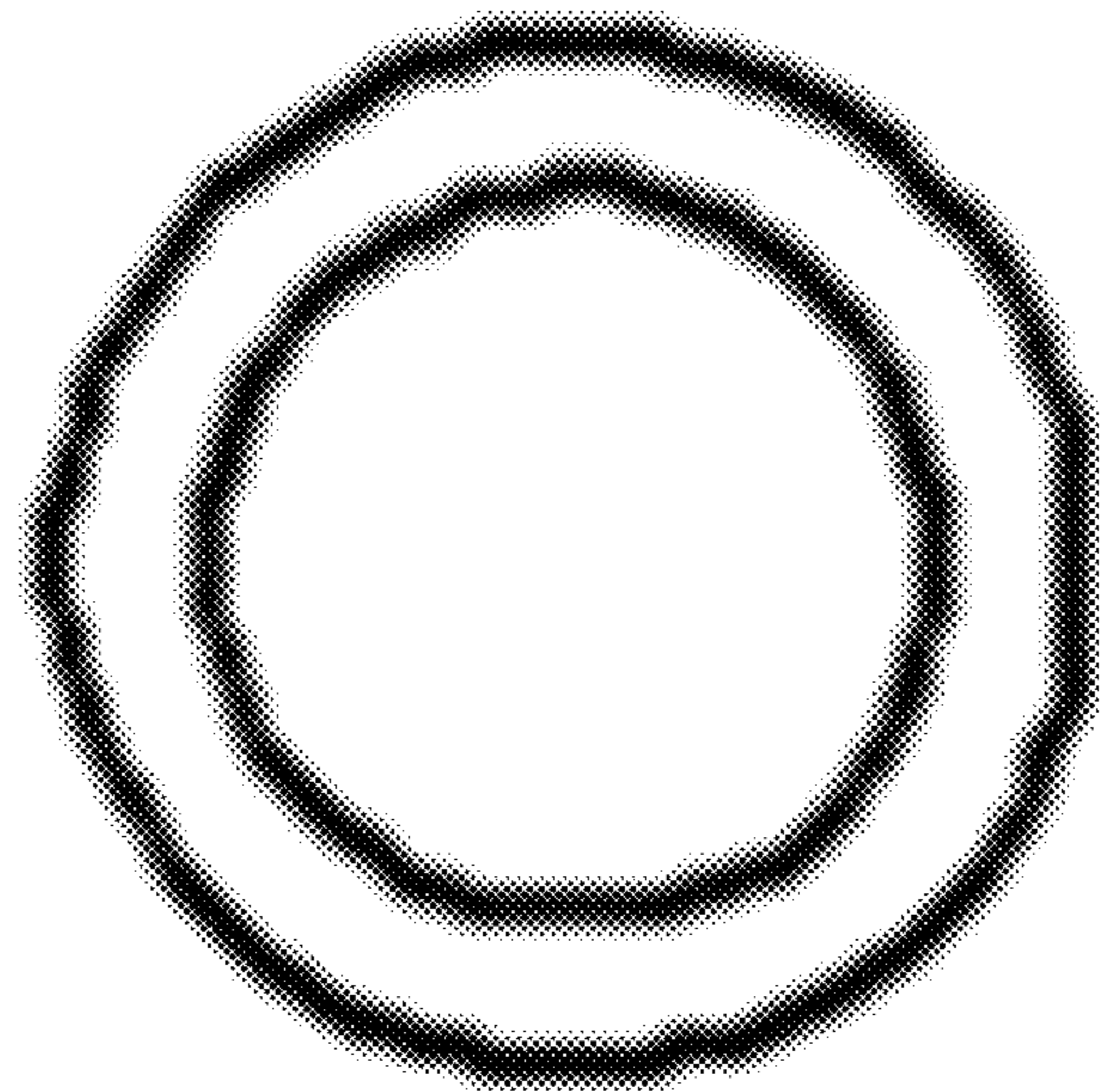
1 Claim, 5 Drawing Sheets



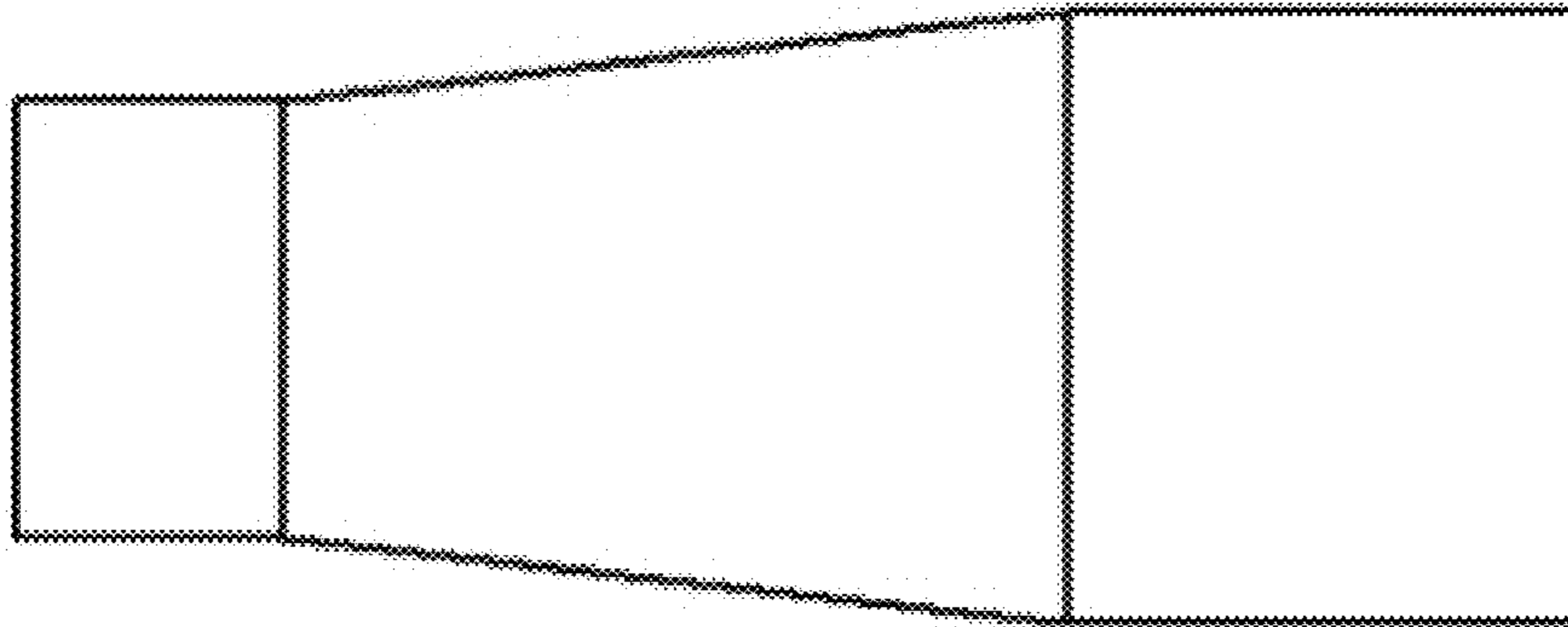
11.1



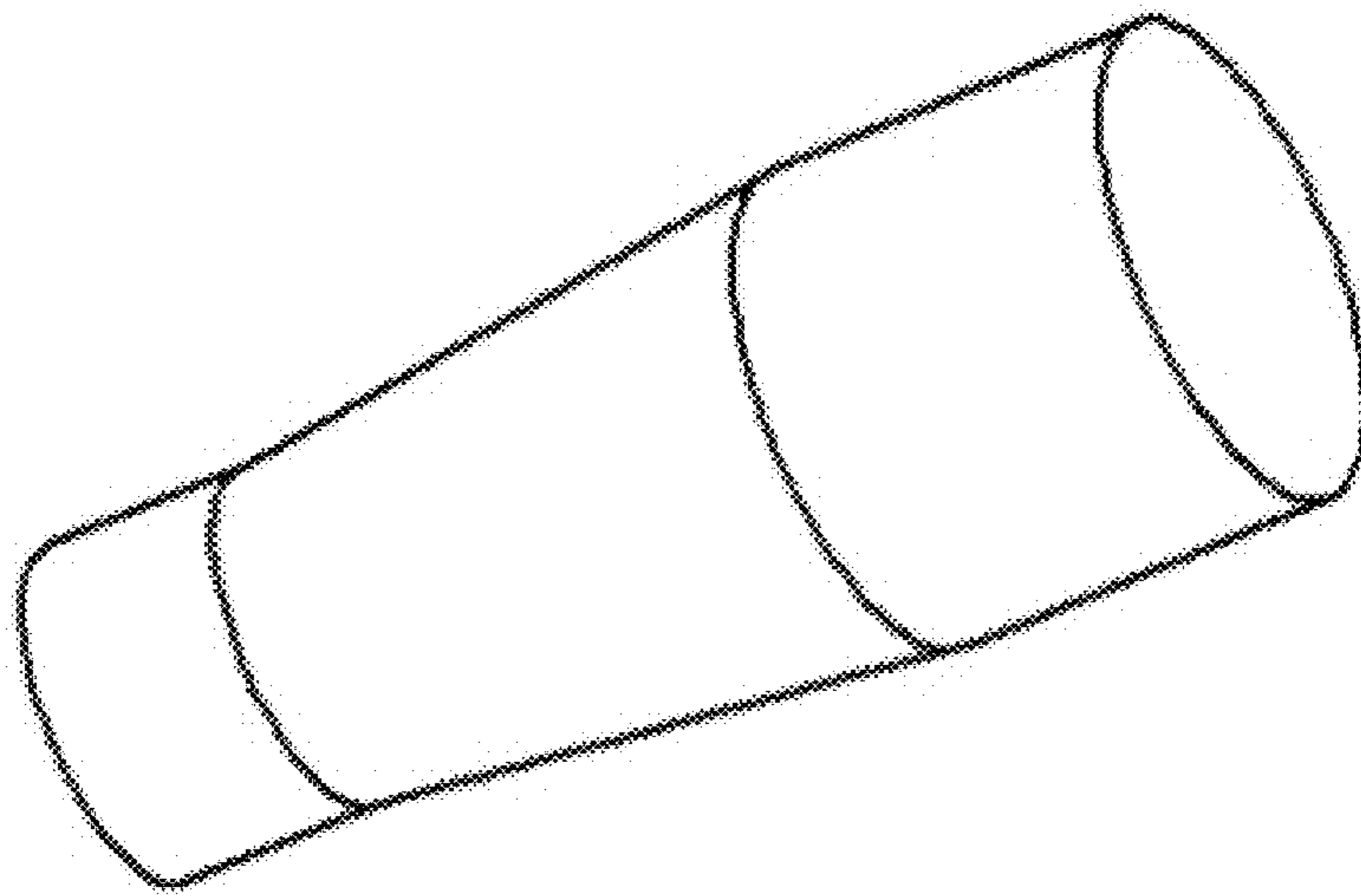
11.2



11.3



11.4



11.5

