



US00D882274S

(12) **United States Design Patent**
Han

(10) **Patent No.:** **US D882,274 S**
(45) **Date of Patent:** **** Apr. 28, 2020**

- (54) **WATER BRUSH PEN**
- (71) Applicant: **CIXI XIUBI SIZHUANG STATIONERY MANUFACTURING CO., LTD., Cixi (CN)**
- (72) Inventor: **Jianyue Han, Cixi (CN)**
- (73) Assignee: **CIXI XIUBI SIZHUANG STATIONERY MANUFACTURING CO., LTD., Cixi (CN)**
- (**) Term: **15 Years**
- (21) Appl. No.: **29/712,965**
- (22) Filed: **Nov. 13, 2019**
- (51) **LOC (12) Cl.** **04-04**
- (52) **U.S. Cl.**
USPC **D4/135; D19/125**
- (58) **Field of Classification Search**
USPC D4/114, 116, 121, 130, 132, 135, 199;
D19/108, 125, 161-169, 177, 195, 915,
D19/917, 934; D28/7, 76, 77, 88, 89, 90
CPC . A46B 2200/205; A46B 11/00; A46B 11/002;
A46B 5/02; A45D 34/042
See application file for complete search history.

(56) **References Cited**

U.S. PATENT DOCUMENTS

D124,190 S *	12/1940	Younghusband	D4/121
D158,728 S *	5/1950	Collins	D4/135
D161,695 S *	1/1951	La Mura	D4/116
D239,112 S *	3/1976	Marynissen	D19/168
D293,828 S *	1/1988	Proctor	D28/7
D299,973 S *	2/1989	Campello	D28/7
D306,316 S *	2/1990	Shintani	D19/117
D306,354 S *	2/1990	Konose	D28/7
D326,868 S *	6/1992	Nitta	D19/169
D327,911 S *	7/1992	Poisson	D19/168
D356,598 S *	3/1995	Thompson	D19/170
D405,826 S *	2/1999	Worther	D19/169

D423,049 S *	4/2000	Kohlhase	D19/169
D440,015 S *	4/2001	Lerolle	D28/76
6,367,113 B1 *	4/2002	Usui	A46B 5/02 15/143.1
D498,790 S *	11/2004	Shova	D19/163
6,854,914 B2 *	2/2005	Keating	A45D 34/042 401/17

(Continued)

OTHER PUBLICATIONS

Water Brush Pens Set for Watercolor Brushes Pens Painting Assorted Tips Calligraphy Arts Markers Small Large Soluble Pencils Water Brushes (Pink), by Autowings, Item model No. 4336960961, ASIN: B07CVW5SYN, on Amazon.in, Date first available on Amazon.in: Apr. 1, 2019, earliest review Sep. 30, 2017.*

(Continued)

Primary Examiner — Elizabeth A. Albert

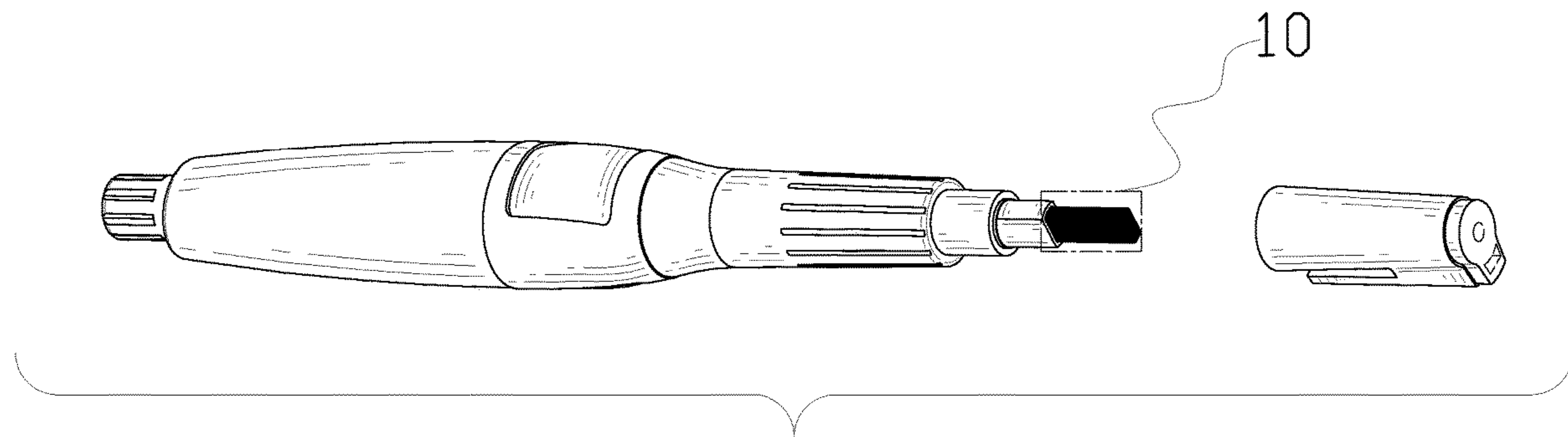
(57) **CLAIM**

The ornamental design for a water brush pen, as shown and described.

DESCRIPTION

FIG. 1 is a perspective view of a water brush pen showing my new design;
FIG. 2 is another perspective view thereof;
FIG. 3 is a front elevational view thereof;
FIG. 4 is a rear elevational view thereof;
FIG. 5 is a left side elevational view thereof;
FIG. 6 is a right side elevational view thereof;
FIG. 7 is a top plan view thereof;
FIG. 8 is a bottom plan view thereof;
FIG. 9 is a perspective view of the water brush pen where a pen cover is connected with a pen body; and,
FIG. 10 is an enlarged view of portion 10 shown in FIG. 1. The broken lines in the drawings depict portions of the water brush pen that form no part of the claimed design.

1 Claim, 10 Drawing Sheets



(56)

References Cited

U.S. PATENT DOCUMENTS

D503,244 S * 3/2005 Campbell D28/76
D540,864 S * 4/2007 Kato D19/166
D566,766 S * 4/2008 Silverstein D19/195
D570,913 S * 6/2008 Kusaba D19/161
D601,627 S * 10/2009 Liu D19/169
D602,086 S * 10/2009 Liu D19/169
D606,587 S * 12/2009 Zhang D19/170
D628,636 S * 12/2010 Wang D19/169
D648,385 S * 11/2011 Guo D19/166
D756,575 S * 5/2016 Flurer D32/1
D818,277 S * 5/2018 Jain D4/135
D845,641 S * 4/2019 Morita D4/127
2014/0332027 A1 * 11/2014 Lim A46B 9/021
132/320
2019/0231051 A1 * 8/2019 Sog A45D 34/042

OTHER PUBLICATIONS

“[3 Sizes] Starworld Soft Water Brush Pen Paint, Reusable for Watercolour Beginners Calligraphy”, Retrieved Nov. 12, 2019]. Retrieved from Internet, <https://www.amazon.co.uk/Starworld-Reusable-Watercolour-Beginners-Calligraphy/dp/B01M61Q37W/>.
“Large water brush paint brush lms Waterbrush Water Tank Calligraphy Brush Pen Watercolor AHB035”, Retrieved Nov. 13, 2019]. Retrieved from Internet, <https://www.aliexpress.com/item/32798036685.html>.

* cited by examiner

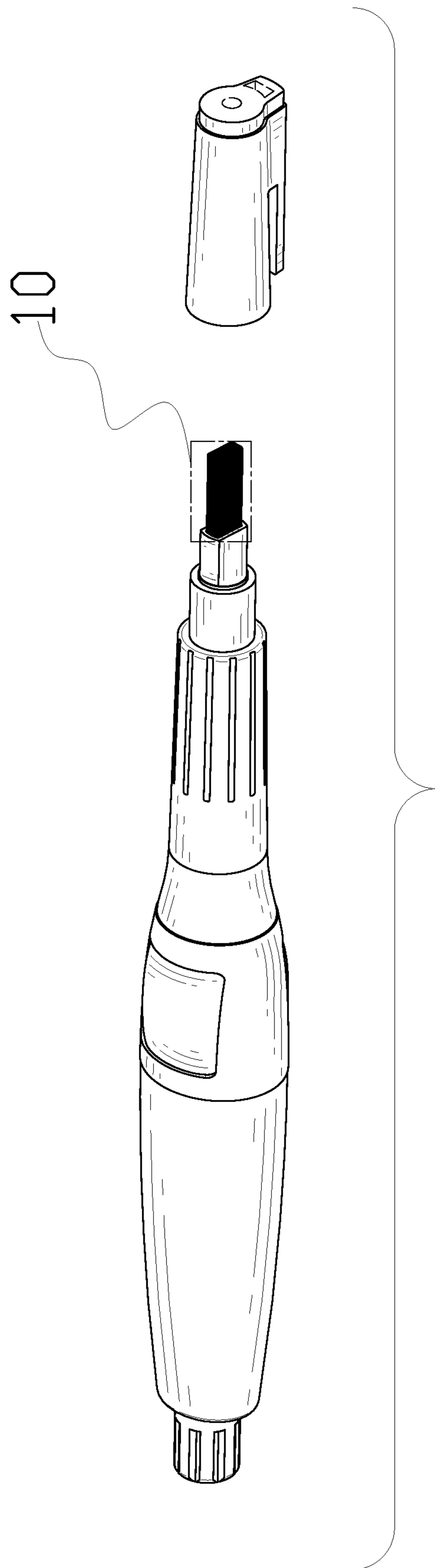


FIG. 1

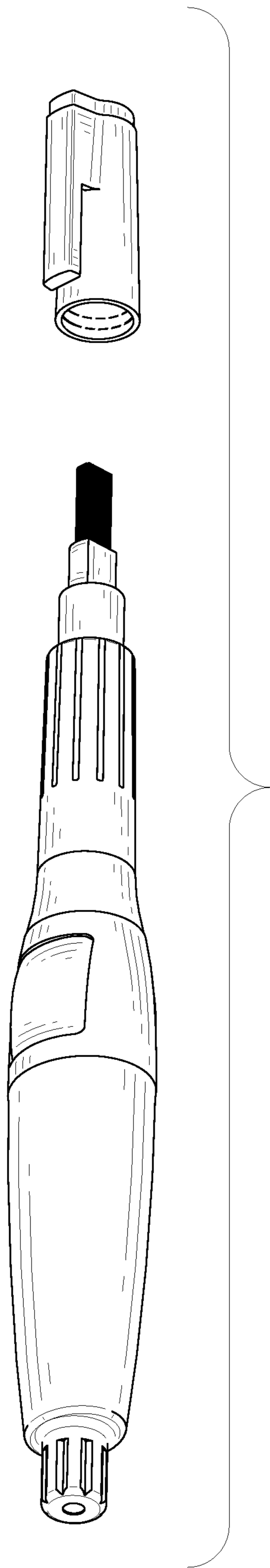


FIG. 2

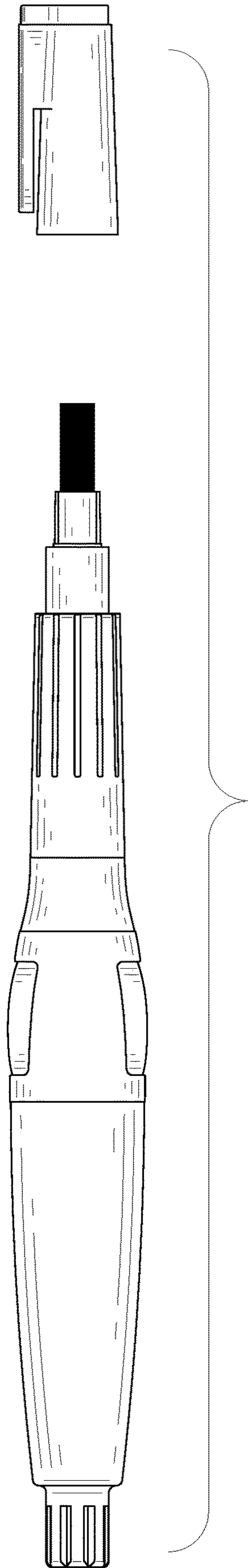


FIG. 3

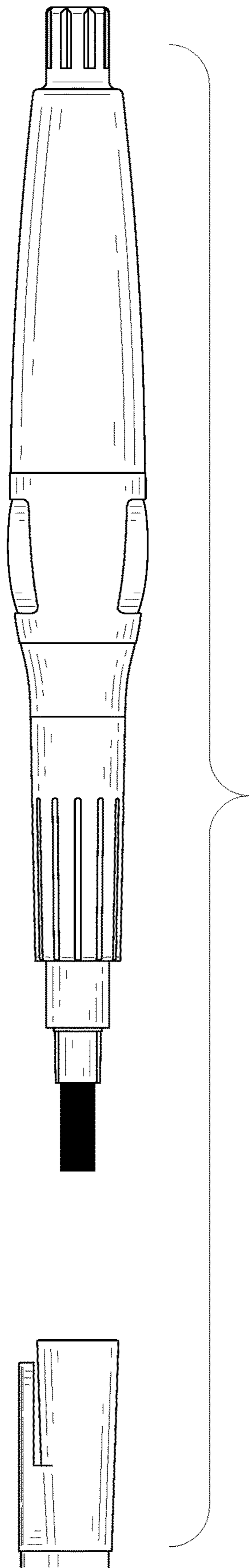


FIG. 4

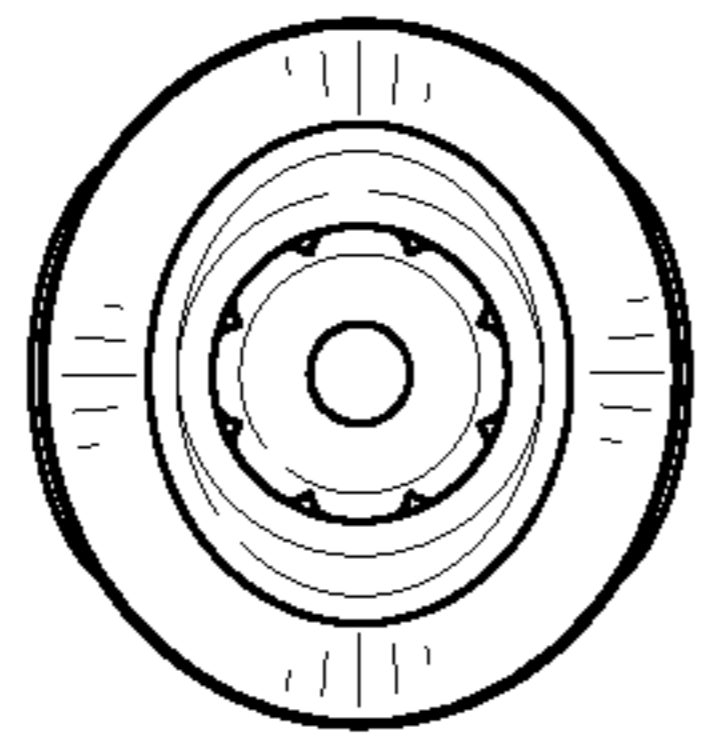


FIG. 5

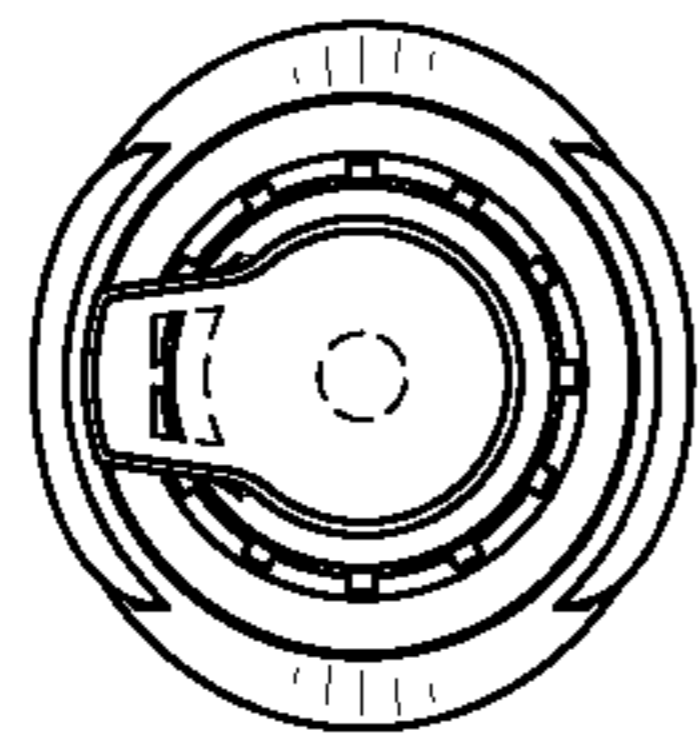


FIG. 6

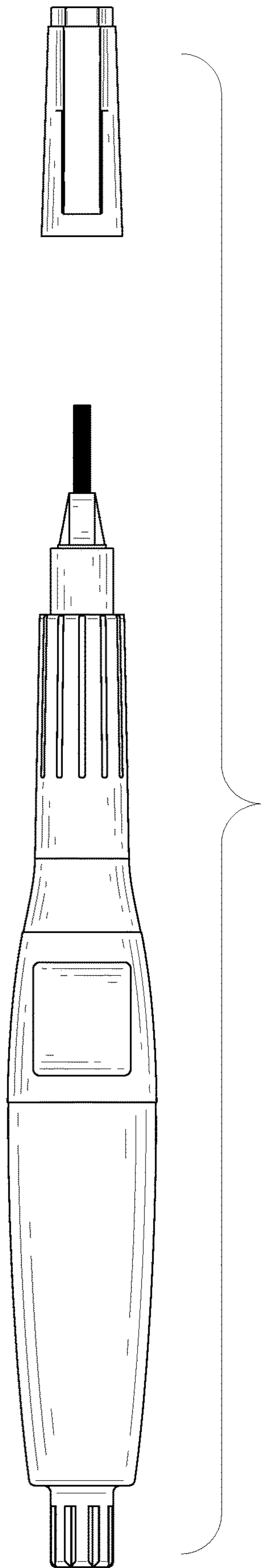


FIG. 7

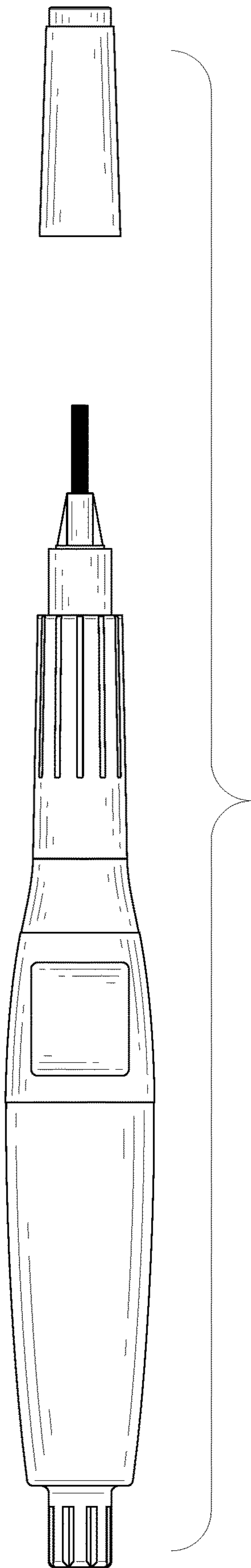


FIG. 8

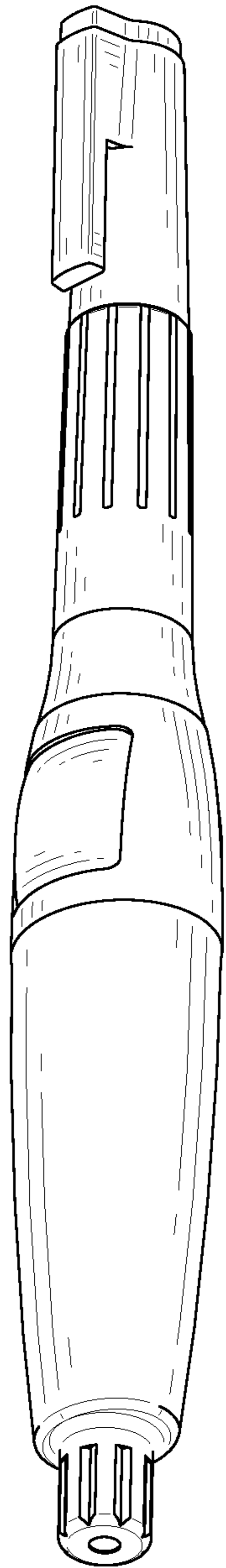


FIG. 9

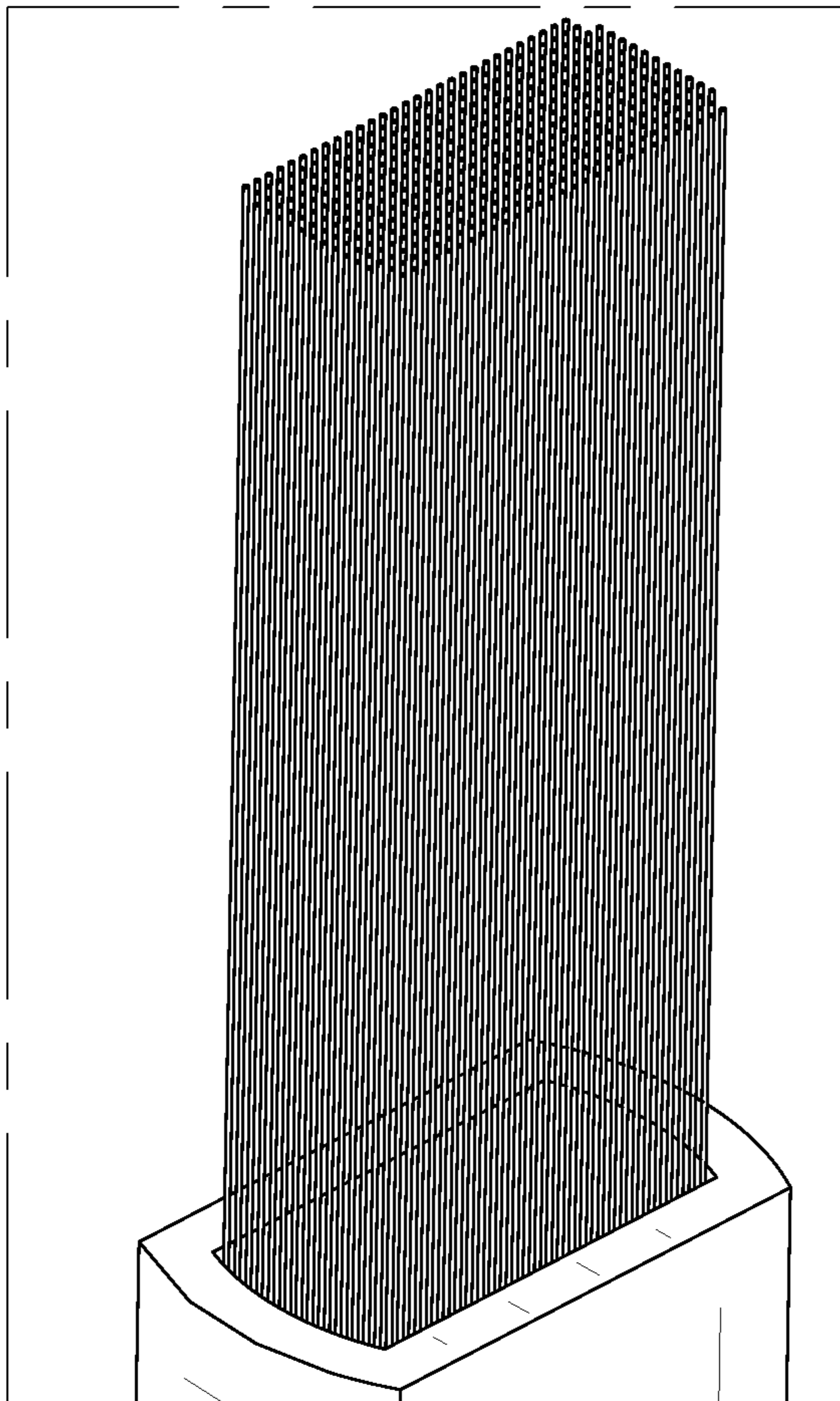


FIG. 10