



US00D882272S

(12) **United States Design Patent**
Celia, Jr.

(10) **Patent No.:** **US D882,272 S**
(45) **Date of Patent:** **** Apr. 28, 2020**

(54) **MAKEUP APPLICATOR**

(71) Applicant: **Diversified Global Technologies, LLC,**
Woonsocket, RI (US)

(72) Inventor: **Wayne M Celia, Jr.,** Woonsocket, RI
(US)

(73) Assignee: **Diversified Distribution Group, LLC,**
New York, NY (US)

(**) Term: **15 Years**

(21) Appl. No.: **29/669,566**

(22) Filed: **Nov. 9, 2018**

(51) **LOC (12) Cl.** **04-01**

(52) **U.S. Cl.**
USPC **D4/116; D4/128; D4/138; D28/7;**
D9/725

(58) **Field of Classification Search**

USPC **D4/116, 119, 121, 127, 128, 130, 132,**
D4/133, 137; D28/7; D9/723, 725, 726;
D24/119

CPC **A46B 5/00; A46B 5/002; A46B 5/0033;**
A46B 5/0054; A46B 5/0075; A46B 7/00;
A46B 7/02; A46B 7/023; A46B 7/026;
A46B 15/0055

See application file for complete search history.

(56) **References Cited**

U.S. PATENT DOCUMENTS

D175,548 S *	9/1955	Kane	D4/114
D324,776 S *	3/1992	Griffin	D4/116
D436,225 S *	1/2001	Garofano	D28/7
D530,857 S *	10/2006	Black	D28/7
D534,690 S *	1/2007	Bouix	D28/76
D562,561 S *	2/2008	Thorpe	D4/114
D654,217 S *	2/2012	Brodish	D28/7
D705,986 S *	5/2014	Pires	D28/7

D710,053 S *	7/2014	Abbott	D28/7
D741,068 S *	10/2015	Frazier	D4/114
D793,090 S *	8/2017	Allen	D4/127
D800,457 S *	10/2017	Kaicker	D4/138
D853,248 S *	7/2019	Betts	D9/723
D854,241 S *	7/2019	Star	D28/7
D857,291 S *	8/2019	Xiang	D28/7
D857,988 S *	8/2019	Huchet	D28/7
2013/0125921 A1 *	5/2013	Celia	A46B 5/0095 132/313

* cited by examiner

Primary Examiner — Keli L Hill

(74) *Attorney, Agent, or Firm* — IP Attorneys Group,
LLC

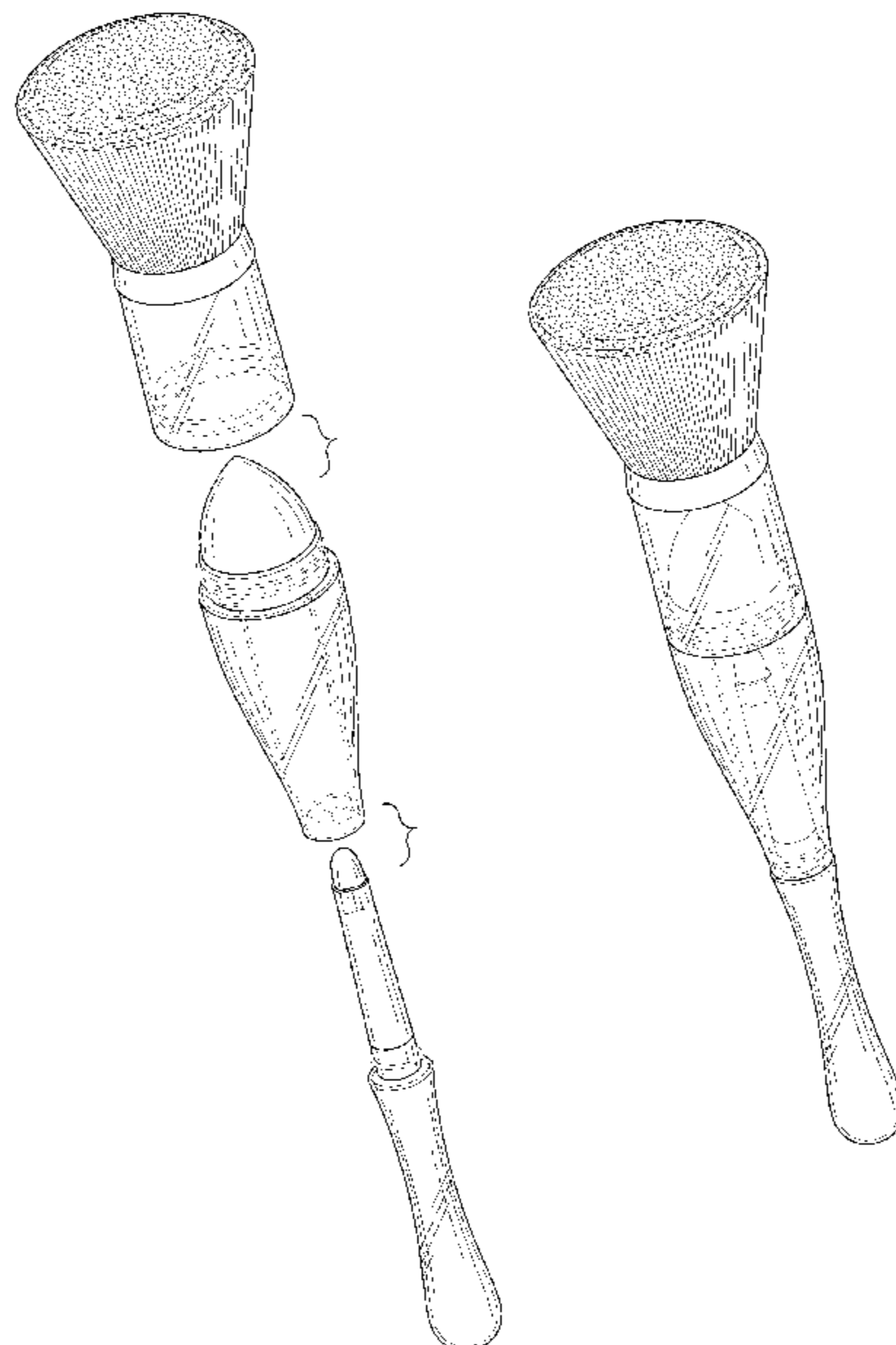
(57) **CLAIM**

The ornamental design for a makeup applicator, as shown
and described.

DESCRIPTION

FIG. 1 is an unassembled perspective view a Makeup
Applicator in accordance with my new design;
FIG. 2 is a front unassembled view thereof;
FIG. 3 is a rear unassembled view thereof;
FIG. 4 is a left side unassembled view thereof;
FIG. 5 is a right side unassembled view thereof;
FIG. 6 is a top unassembled view thereof;
FIG. 7 is a bottom unassembled view thereof;
FIG. 8 is an assembled perspective view thereof;
FIG. 9 is a front assembled view thereof;
FIG. 10 is a rear assembled view thereof;
FIG. 11 is a left side assembled view thereof;
FIG. 12 is a right side assembled view thereof;
FIG. 13 is a top assembled view thereof; and,
FIG. 14 is a bottom assembled view thereof.
The broken lines shown in all of the figures form no part of
the claimed design.

1 Claim, 8 Drawing Sheets



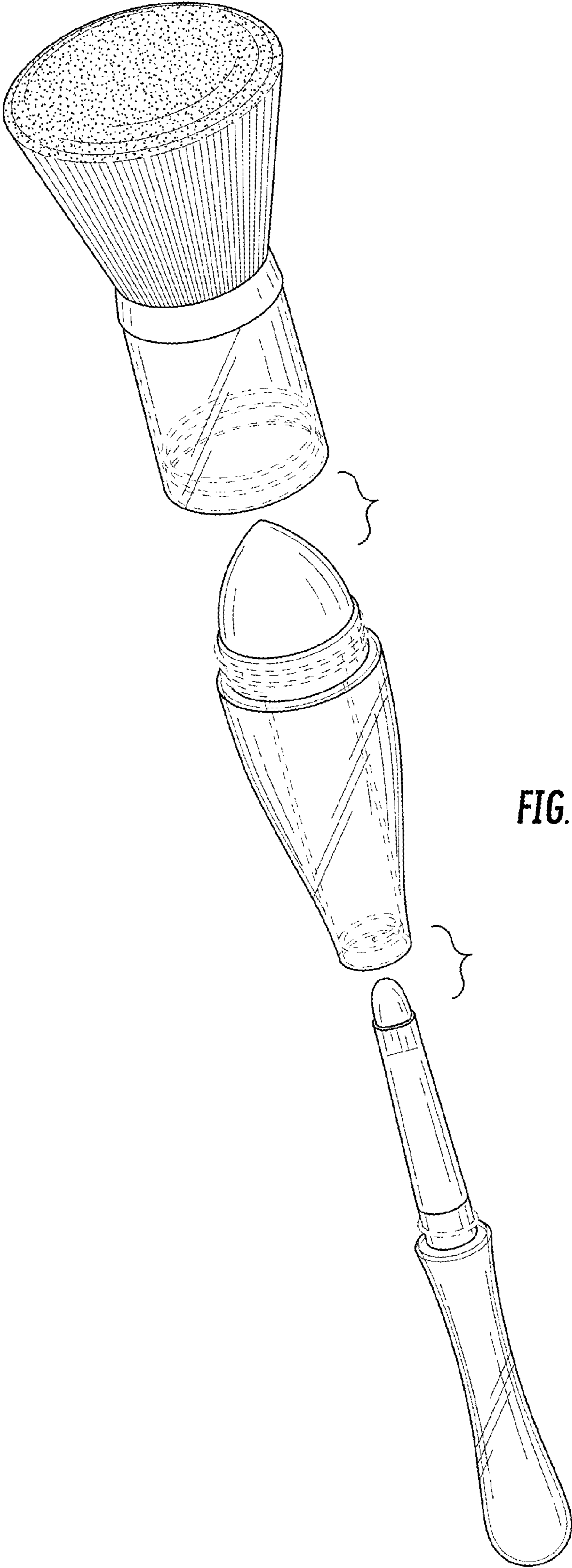


FIG. 1

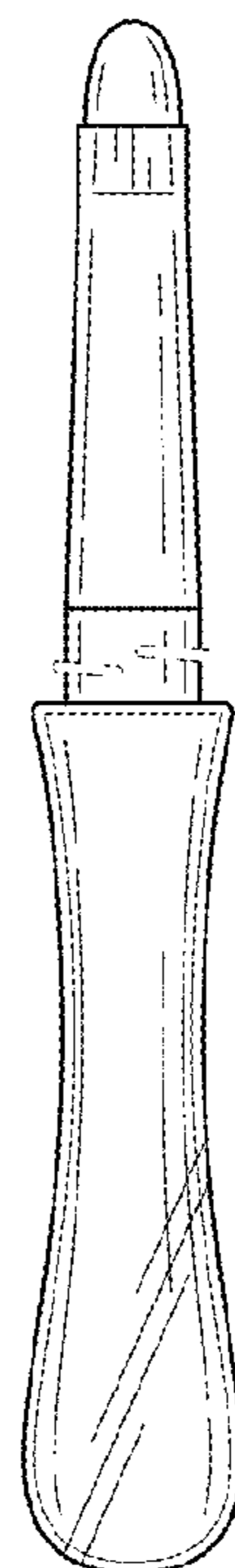
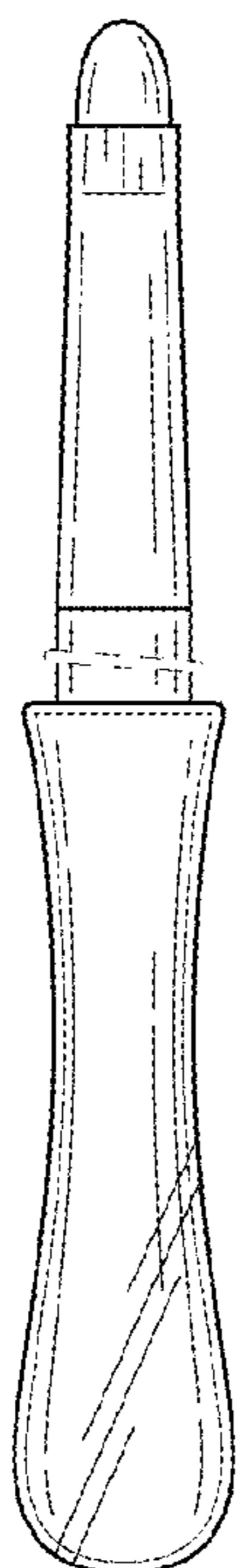
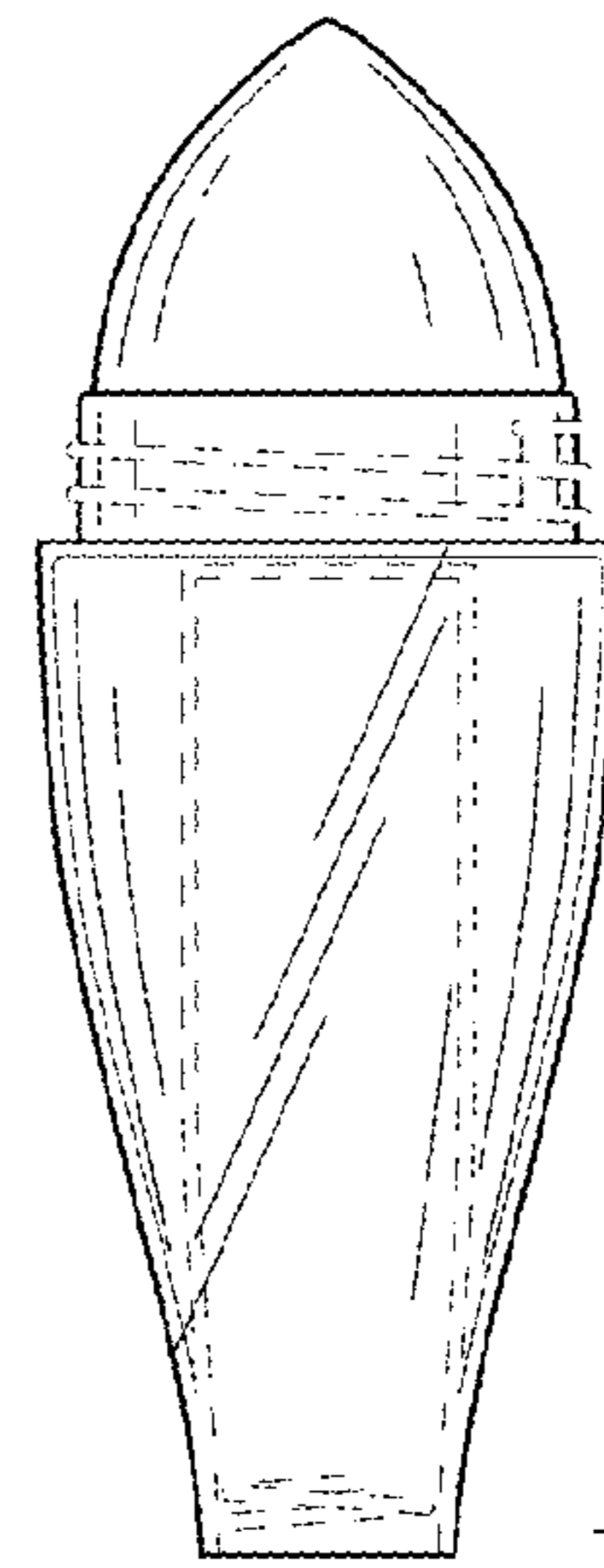
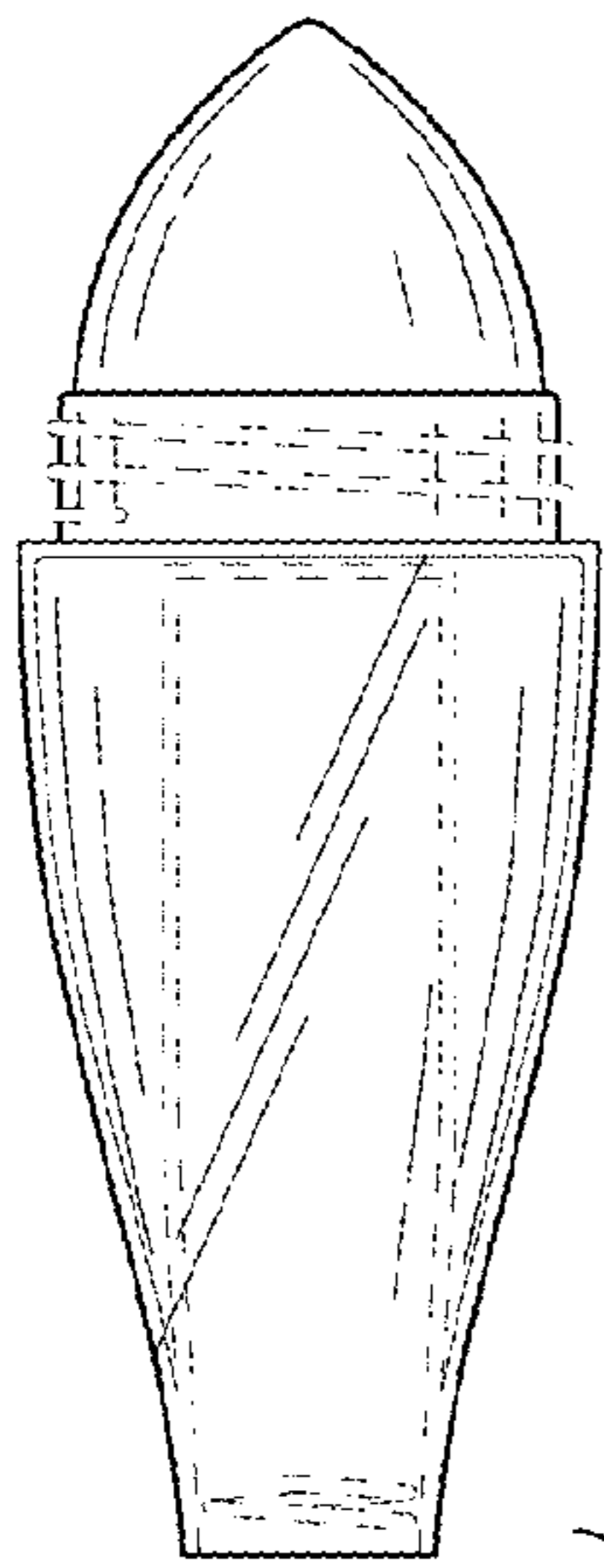
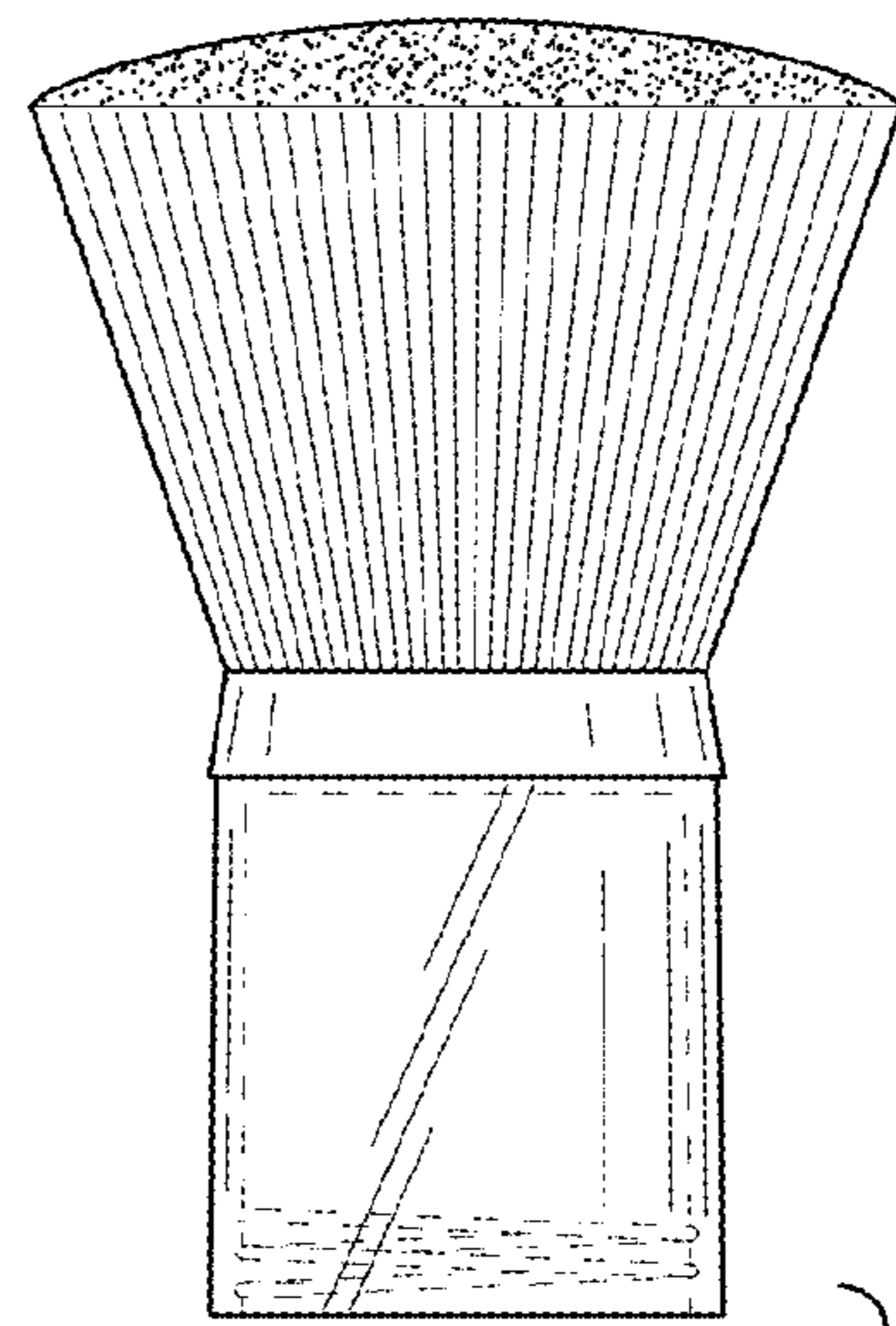
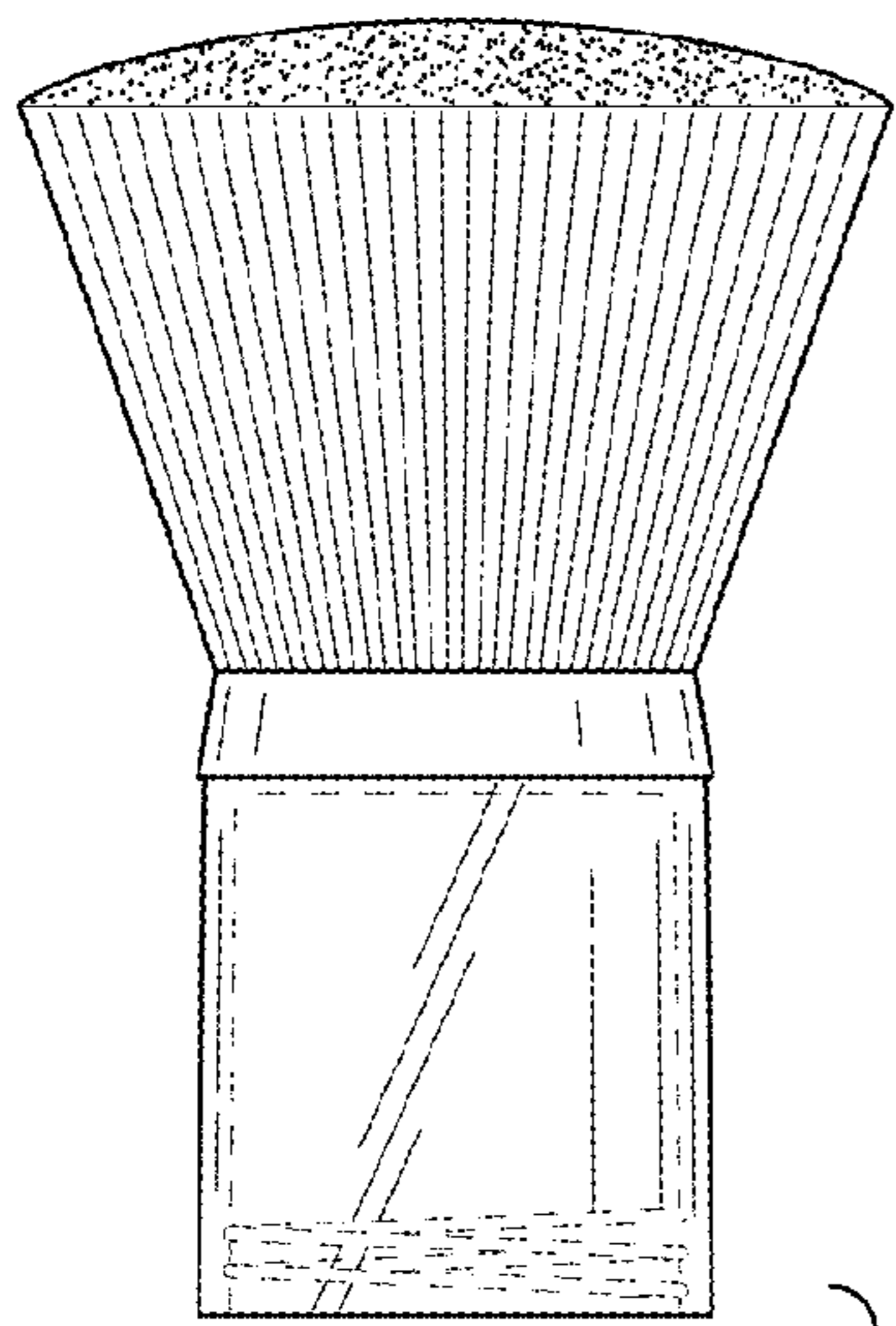


FIG. 2

FIG. 3

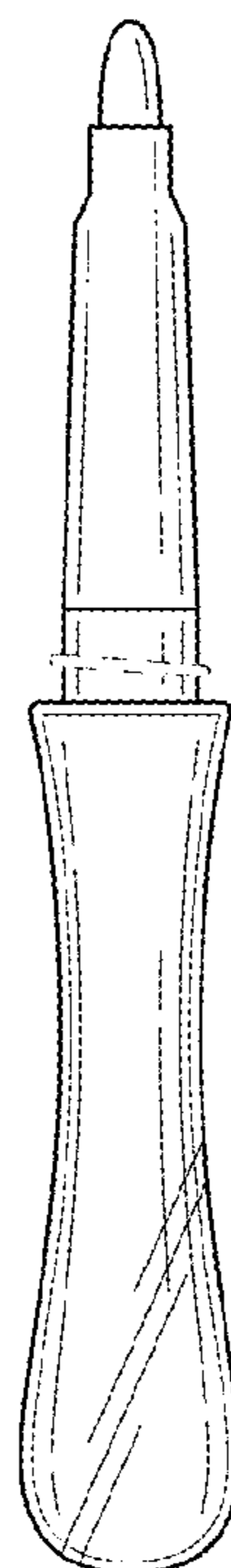
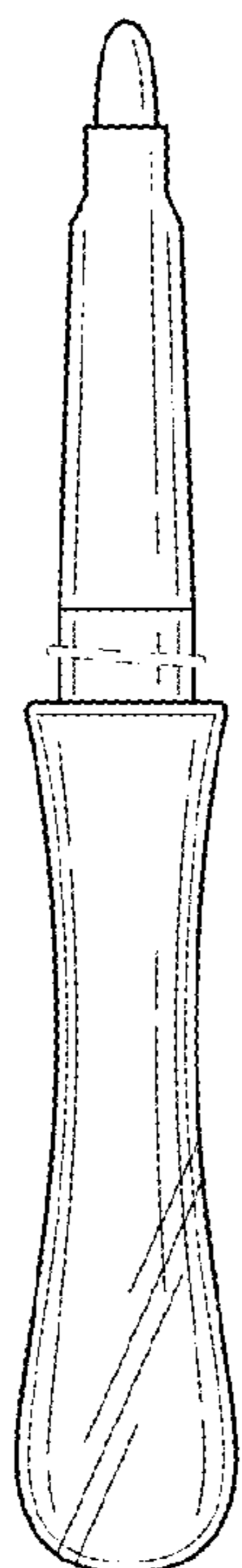
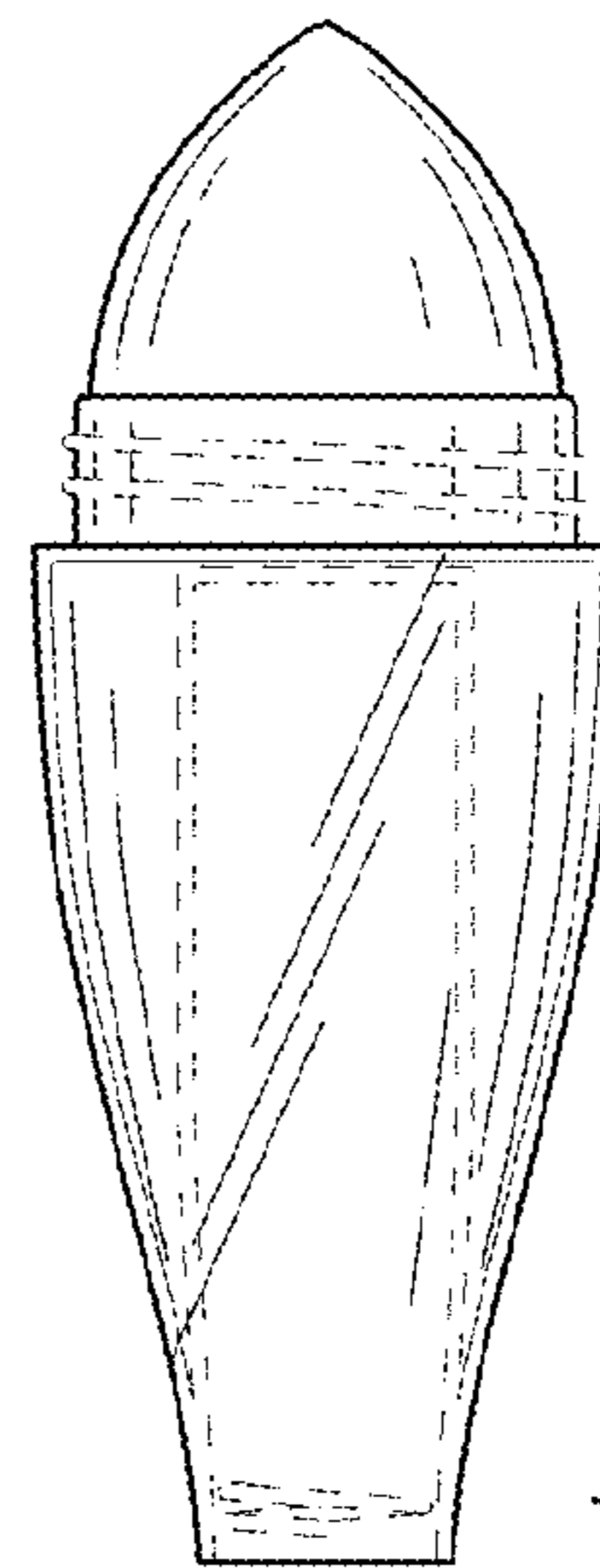
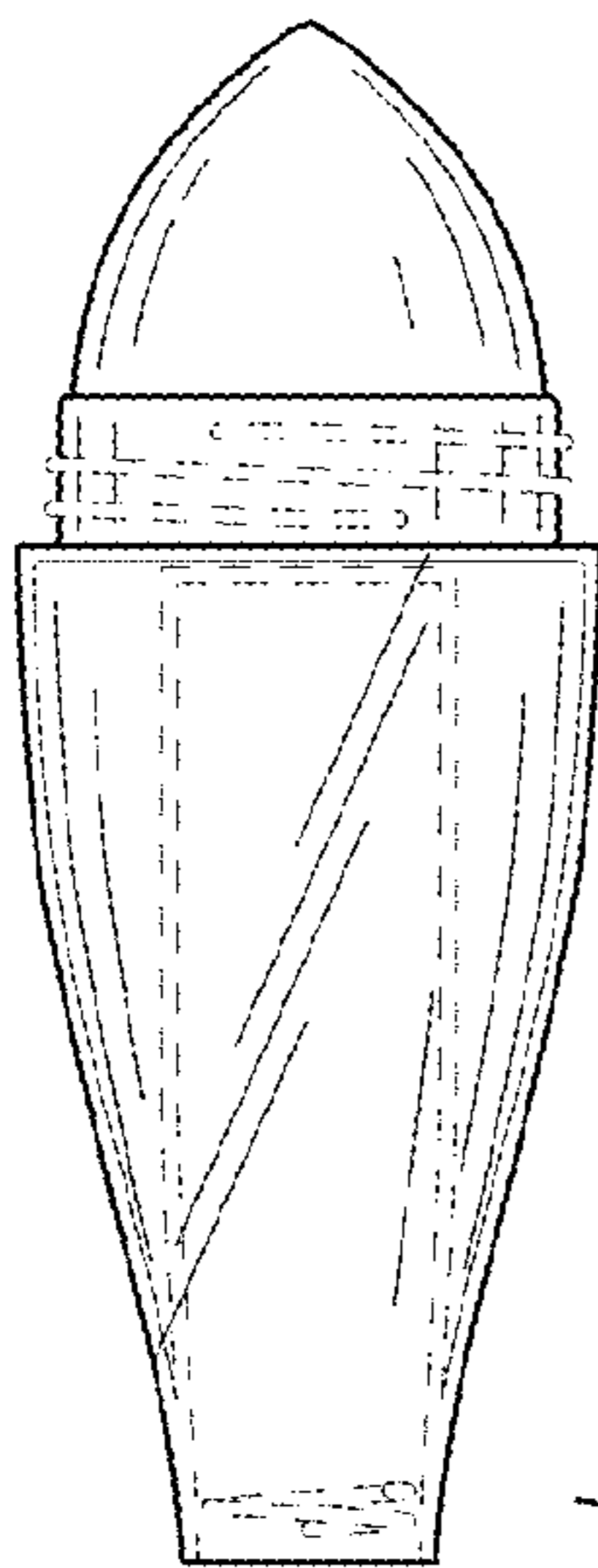
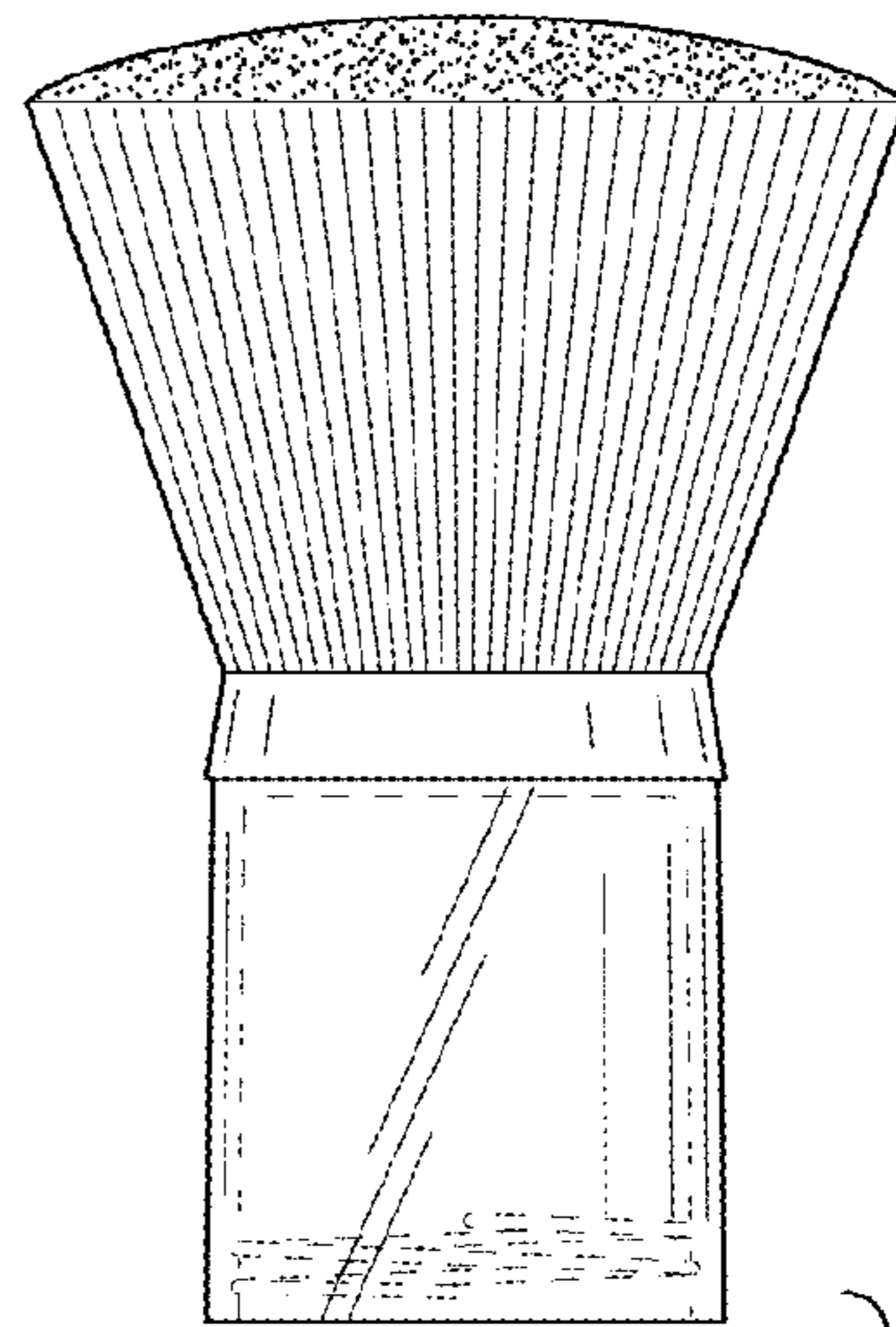
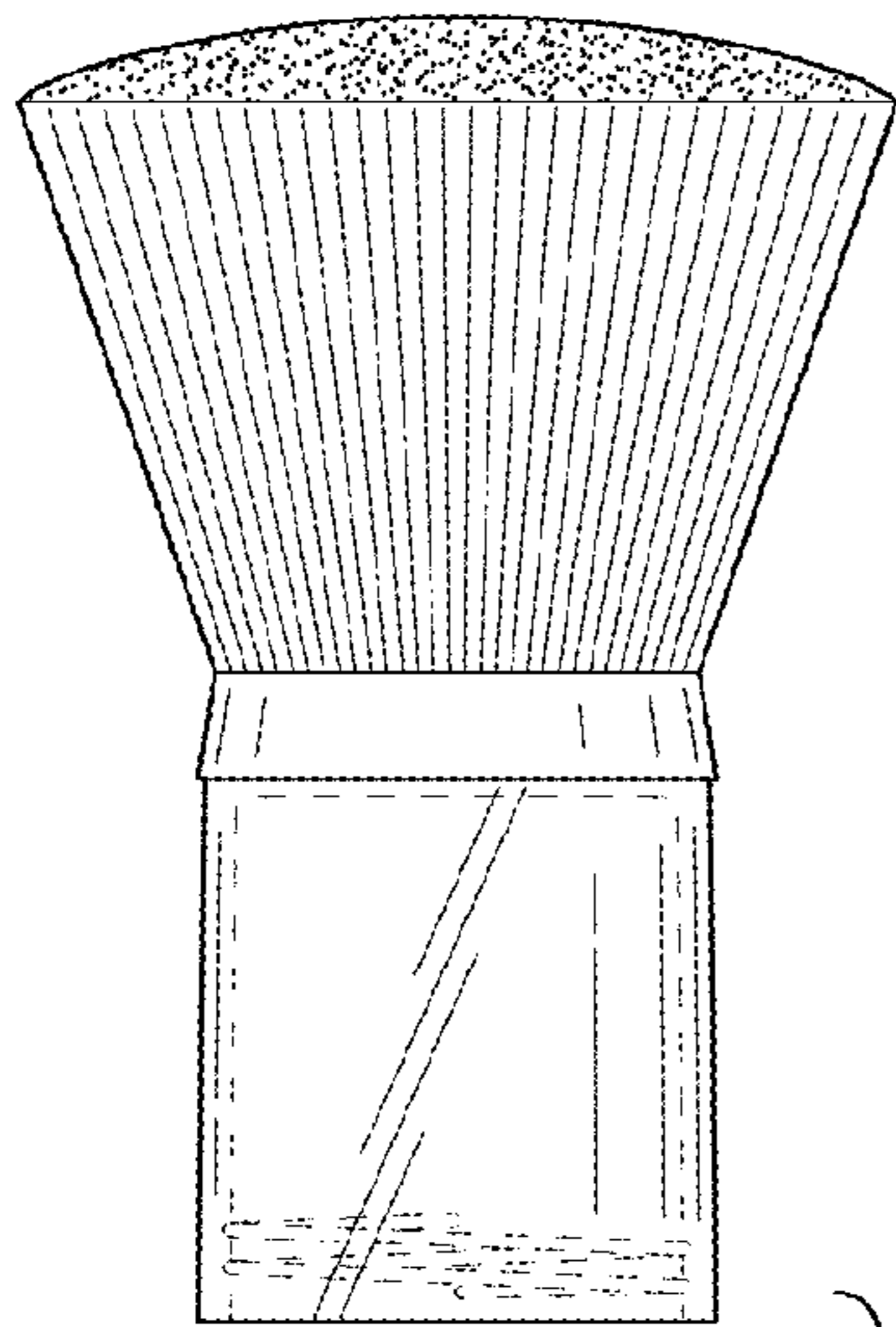


FIG. 4

FIG. 5

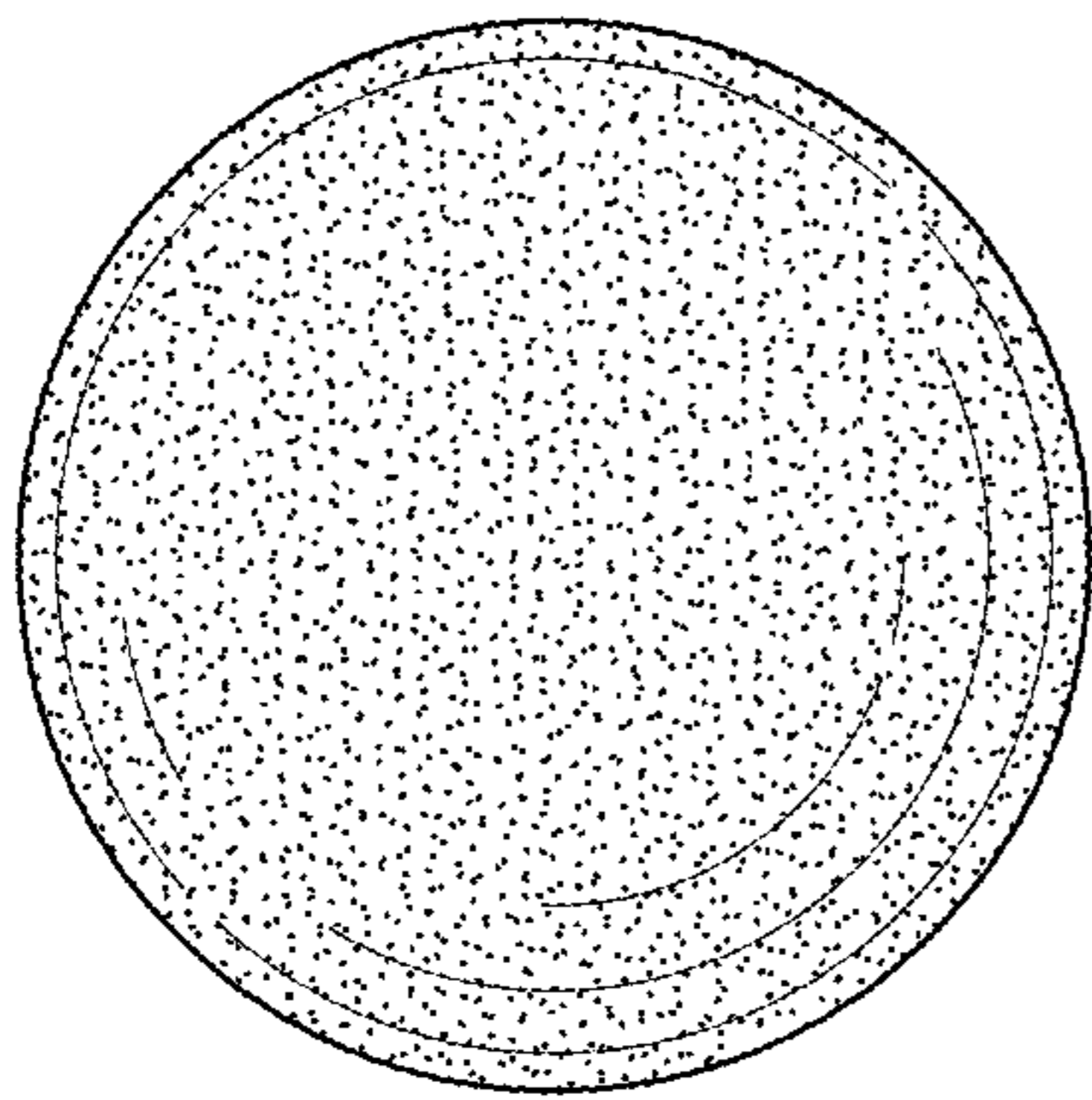


FIG. 6

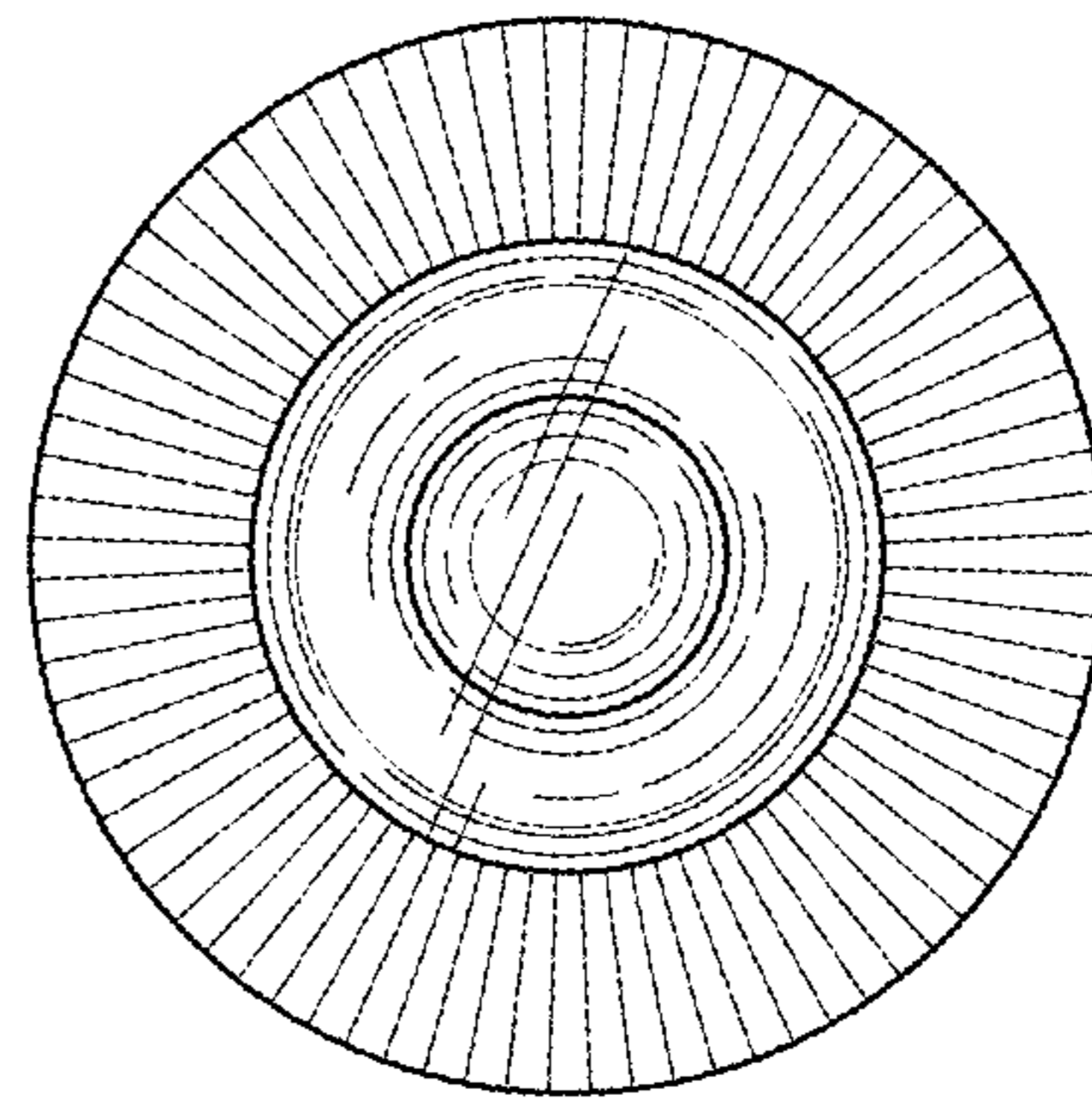


FIG. 7

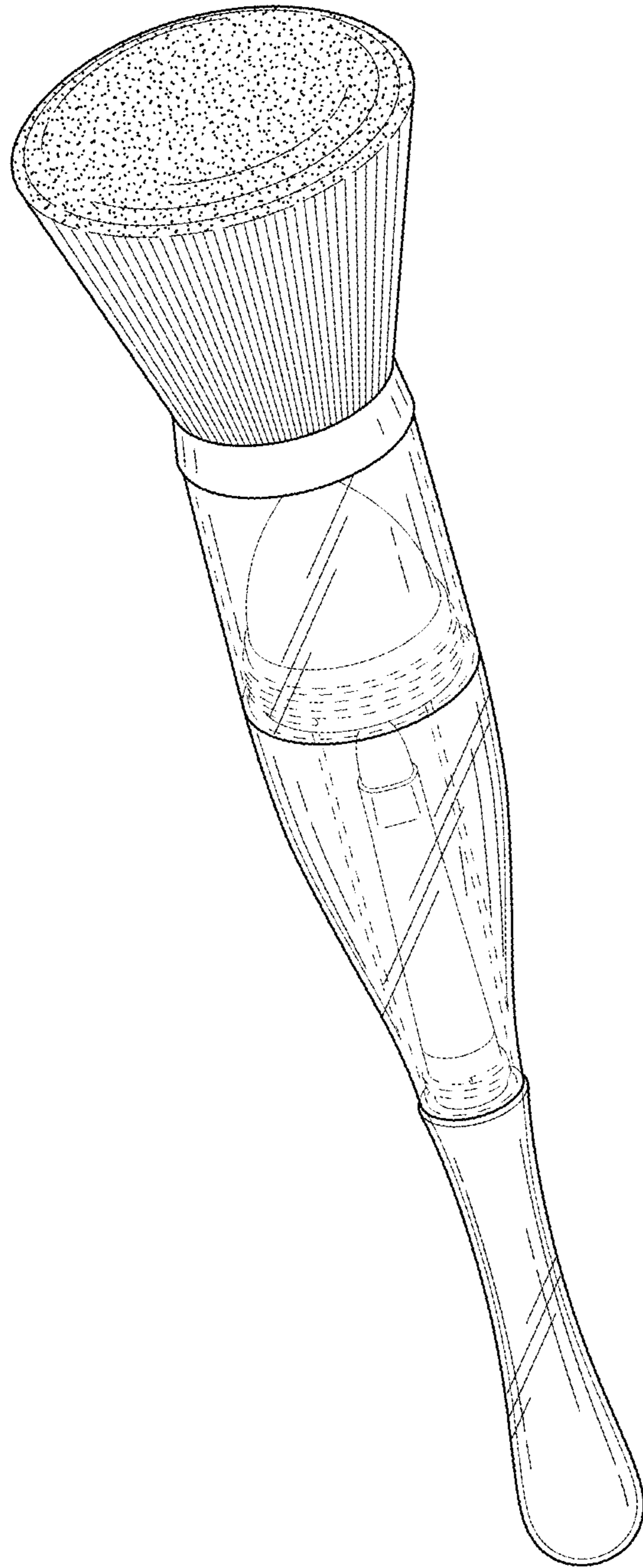


FIG. 8

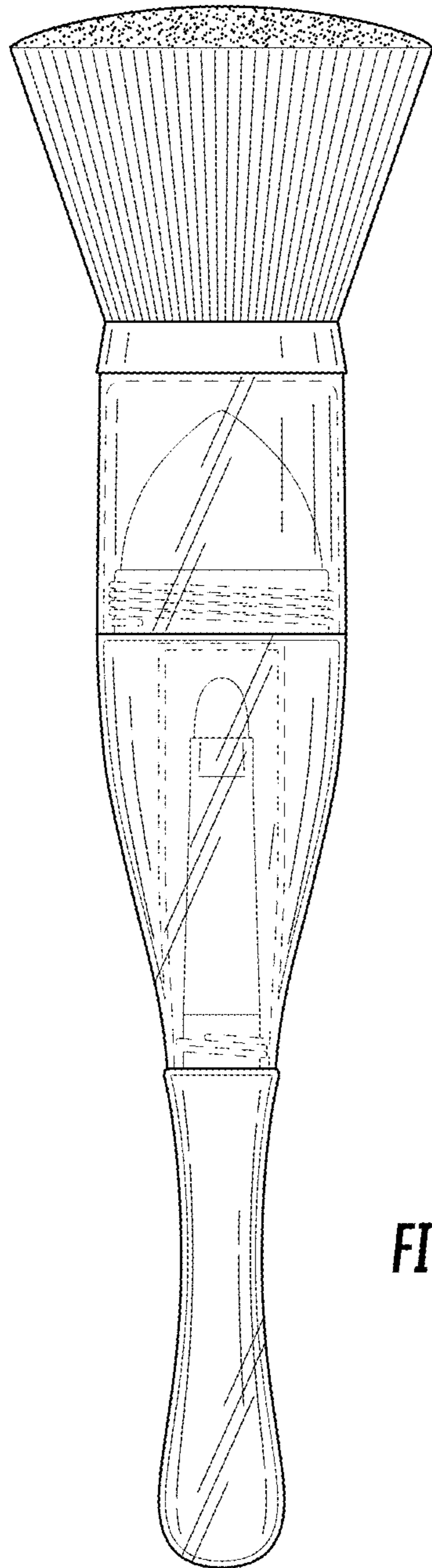


FIG. 9

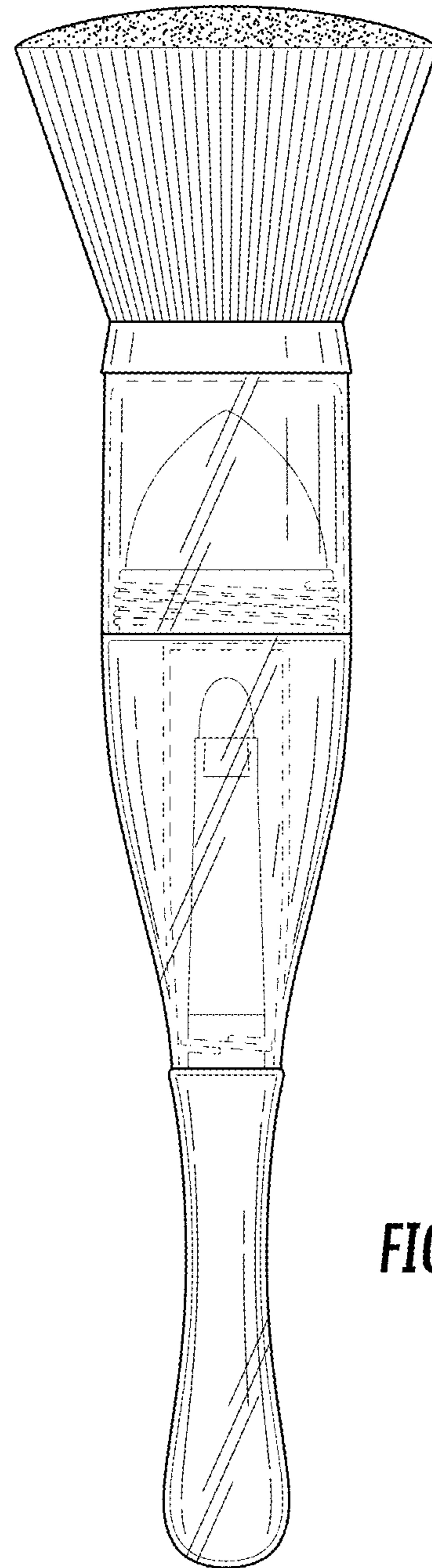


FIG. 10

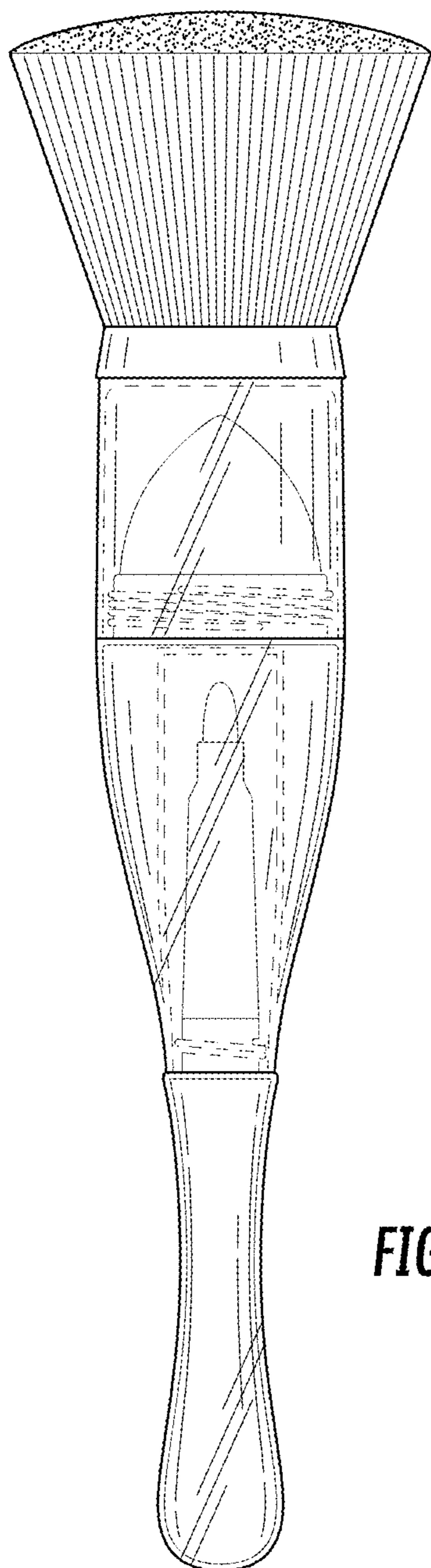


FIG. 11

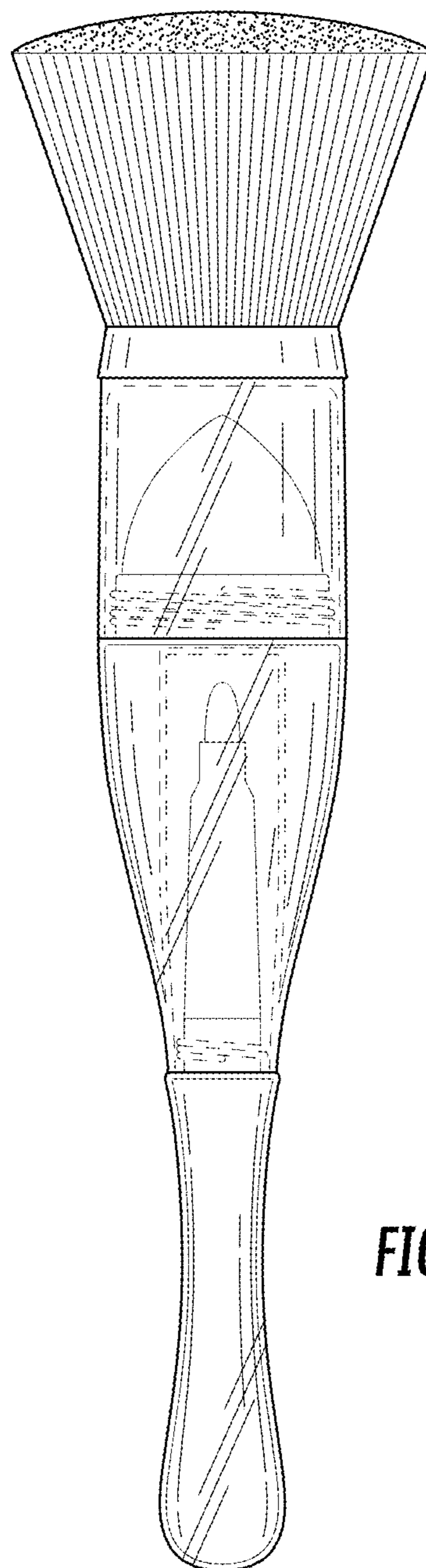


FIG. 12

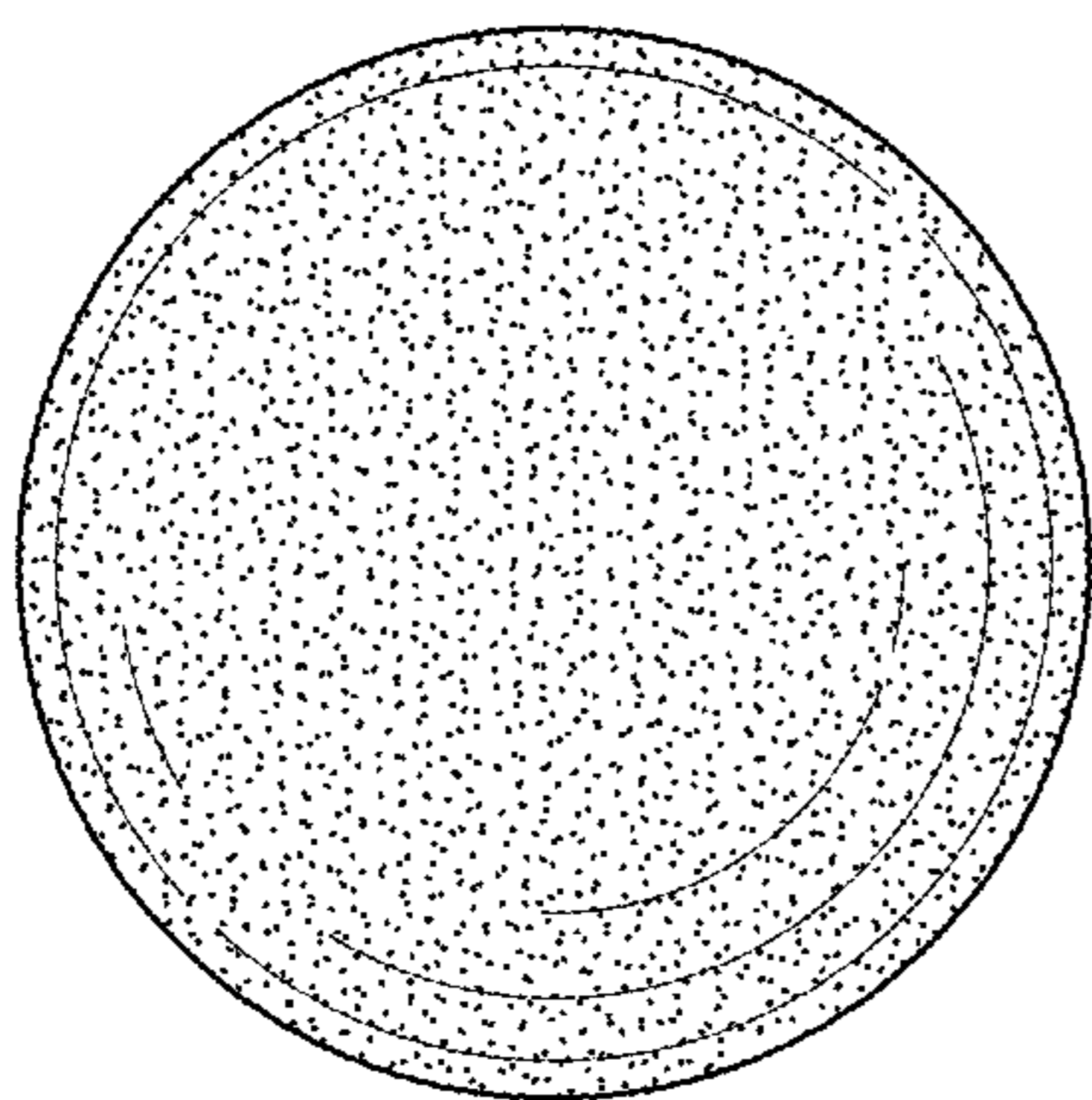


FIG. 13

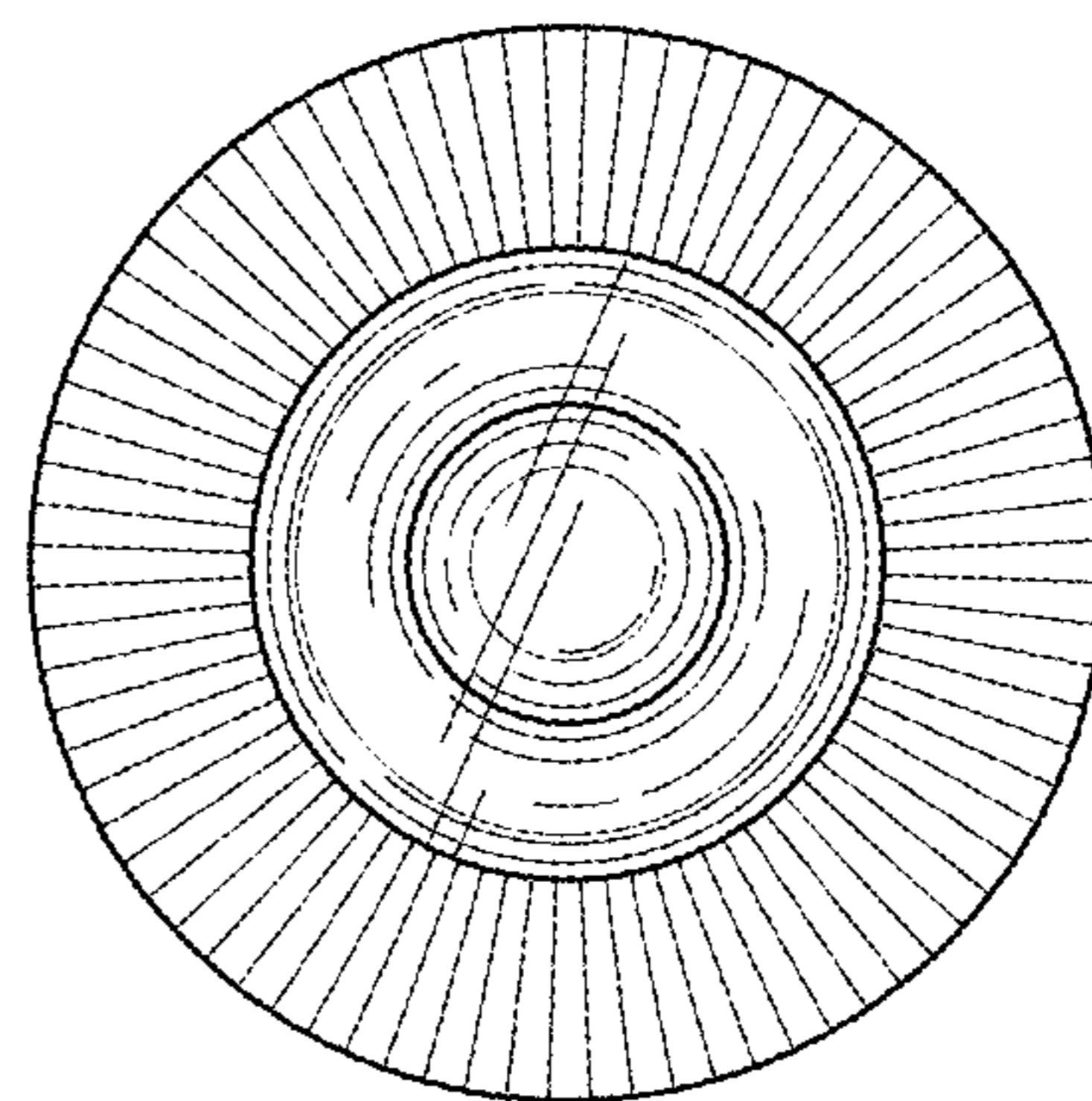


FIG. 14