



US00D882265S

(12) **United States Design Patent** (10) **Patent No.:** **US D882,265 S**  
**Fenton et al.** (45) **Date of Patent:** **\*\* Apr. 28, 2020**

(54) **HANDLE FOR AN ARTICLE OF LUGGAGE**

(71) Applicant: **Ricardo Beverly Hills**, Kent, WA (US)

(72) Inventors: **Timm Fenton**, Mercer Island, WA (US); **Trevor Knapp**, Seattle, WA (US)

(73) Assignee: **Ricardo Beverly Hills**, Kent, WA (US)

(\*\*) Term: **15 Years**

(21) Appl. No.: **29/638,315**

(22) Filed: **Feb. 26, 2018**

(51) **LOC (12) Cl.** ..... **03-01**

(52) **U.S. Cl.**  
USPC ..... **D3/318**

(58) **Field of Classification Search**  
USPC ..... D3/318, 273, 279, 285, 289  
CPC ..... A45F 5/10; A45F 5/14  
See application file for complete search history.

(56) **References Cited**

**U.S. PATENT DOCUMENTS**

D471,715 S	3/2003	Wu	
D486,648 S	2/2004	Fenton	
D536,875 S	2/2007	Fenton	
D552,850 S	10/2007	Wu	
D553,364 S *	10/2007	Moon	D3/318
7,467,696 B2	12/2008	Wu	
D591,511 S	5/2009	Wu	
7,600,618 B2	10/2009	Fenton et al.	
D607,644 S *	1/2010	Wu	D3/318
D651,803 S *	1/2012	Wu	D3/318

D696,019 S *	12/2013	Sener	D3/318
D712,152 S *	9/2014	Tong	D3/318
D773,819 S *	12/2016	Sener	D3/318
D777,441 S *	1/2017	Li	D3/318
D827,304 S *	9/2018	Tao	D3/318
D828,693 S *	9/2018	Karl	D3/318
2006/0026794 A1	2/2006	Streetman	
2014/0311844 A1	10/2014	Meersschaert et al.	

\* cited by examiner

*Primary Examiner* — Holly H Baynham

(74) *Attorney, Agent, or Firm* — Michael Best & Friedrich LLP

(57) **CLAIM**

We claim the ornamental design for a handle for an article of luggage, as shown and described.

**DESCRIPTION**

FIG. 1 is a perspective view of a handle for an article of luggage according to an embodiment.

FIG. 2 is a front view of the handle of FIG. 1.

FIG. 3 is a rear view of the handle of FIG. 1.

FIG. 4 is a right side view of the handle of FIG. 1.

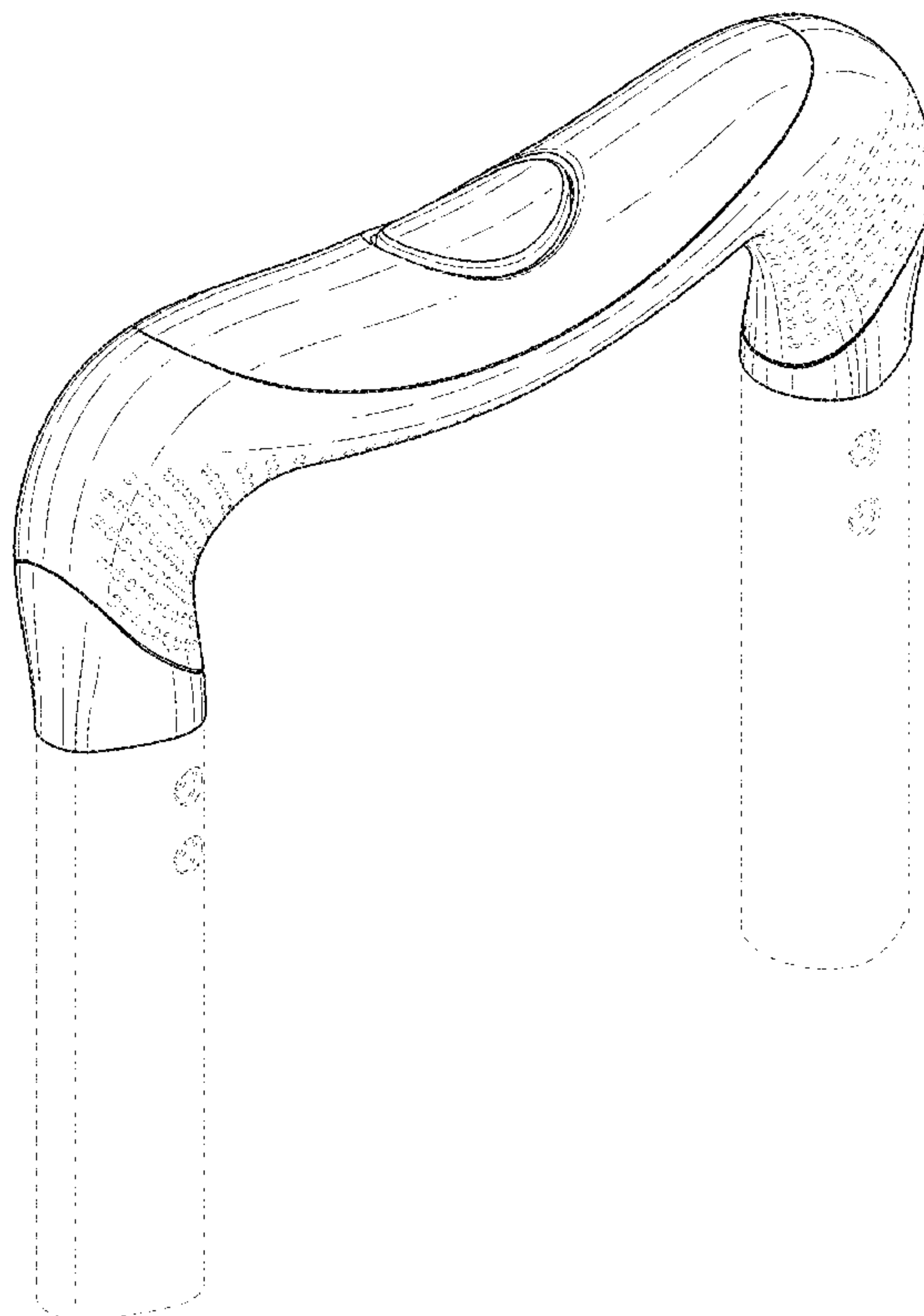
FIG. 5 is a left side view of the handle of FIG. 1.

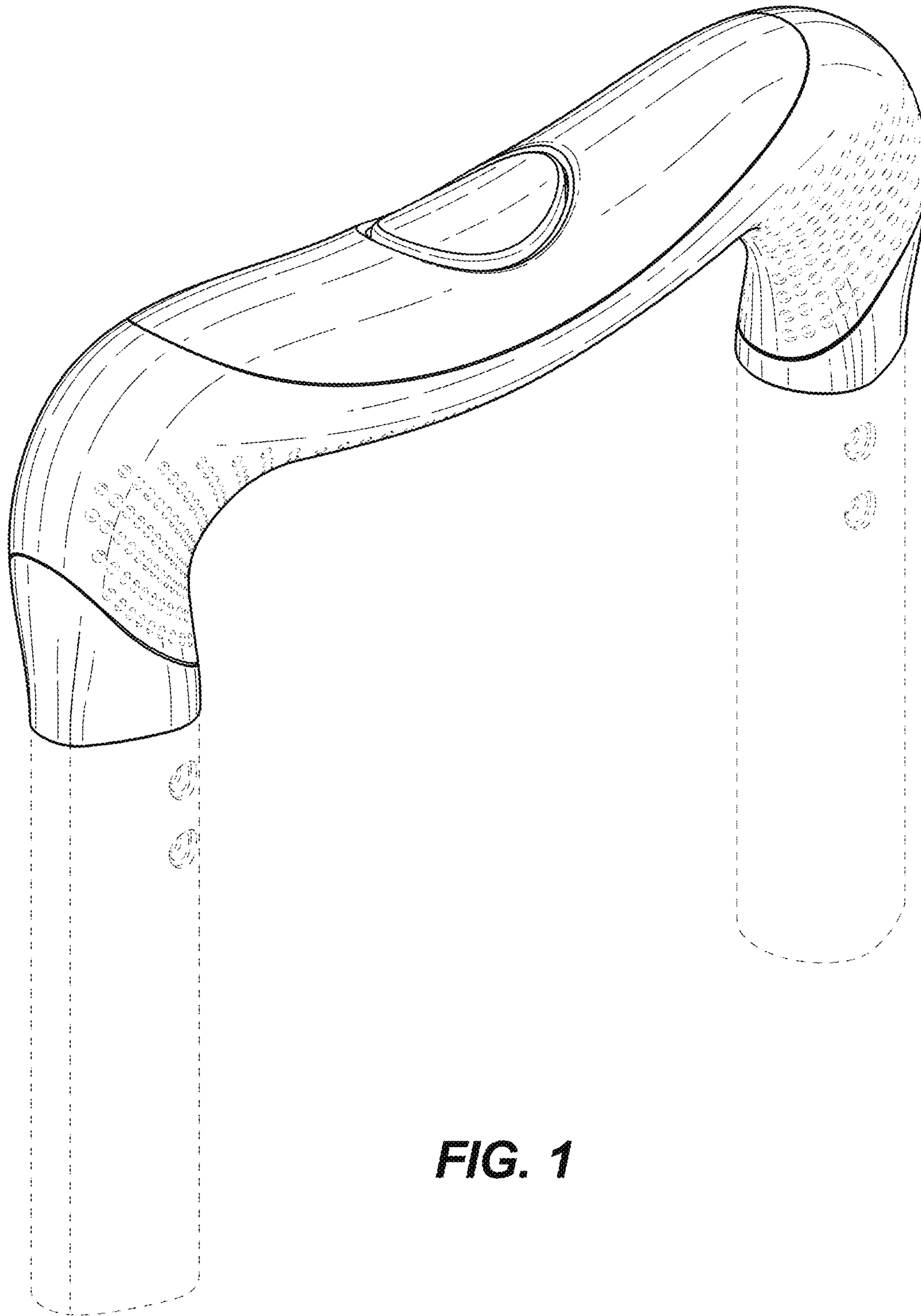
FIG. 6 is a top view of the handle of FIG. 1; and,

FIG. 7 is a bottom view of the handle of FIG. 1.

The present application is directed to the design illustrated in the figures. The broken lines shown in the figures illustrate portions of a handle for an article of luggage and form no part of the claimed design.

**1 Claim, 5 Drawing Sheets**





**FIG. 1**

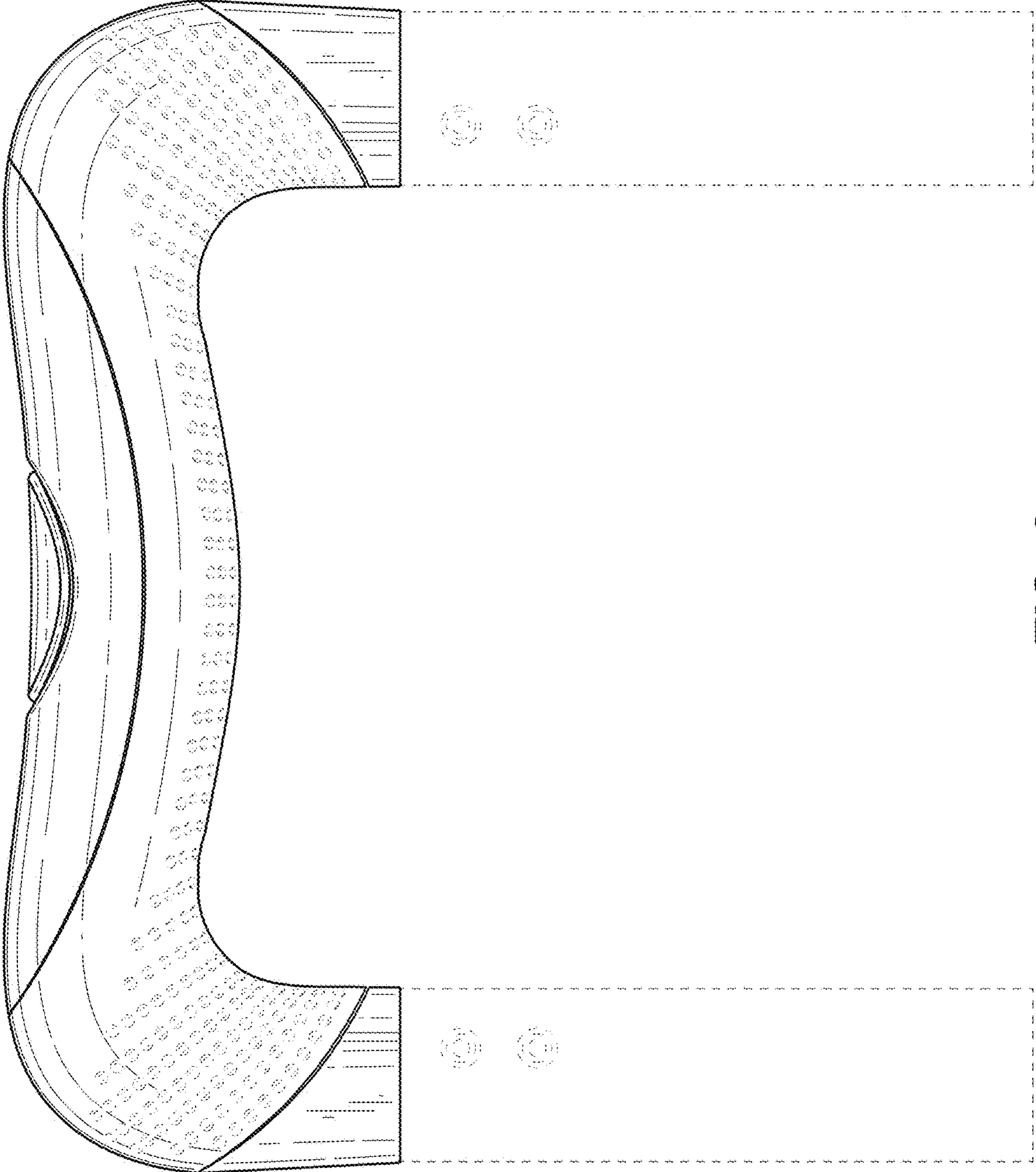


FIG. 2

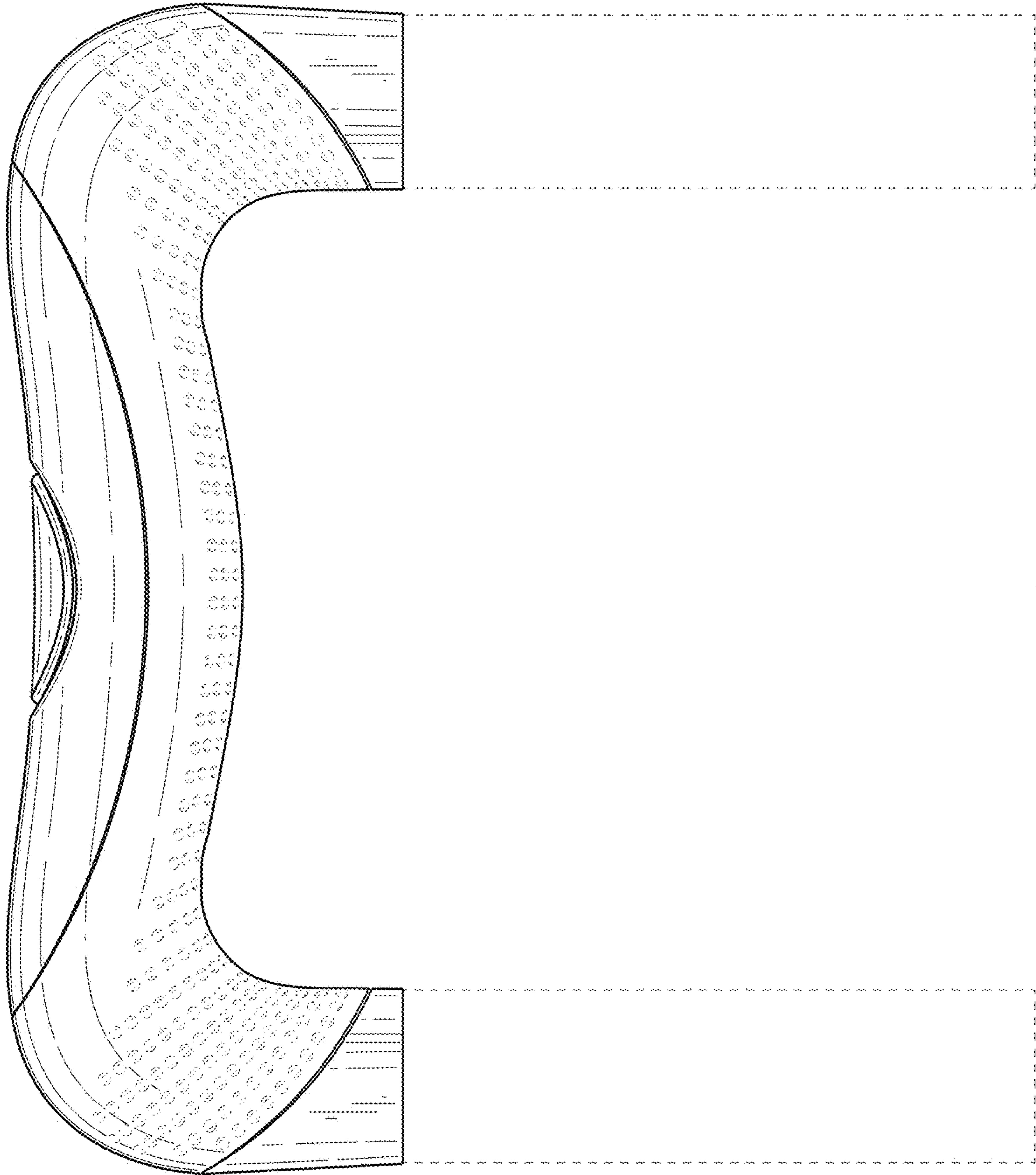
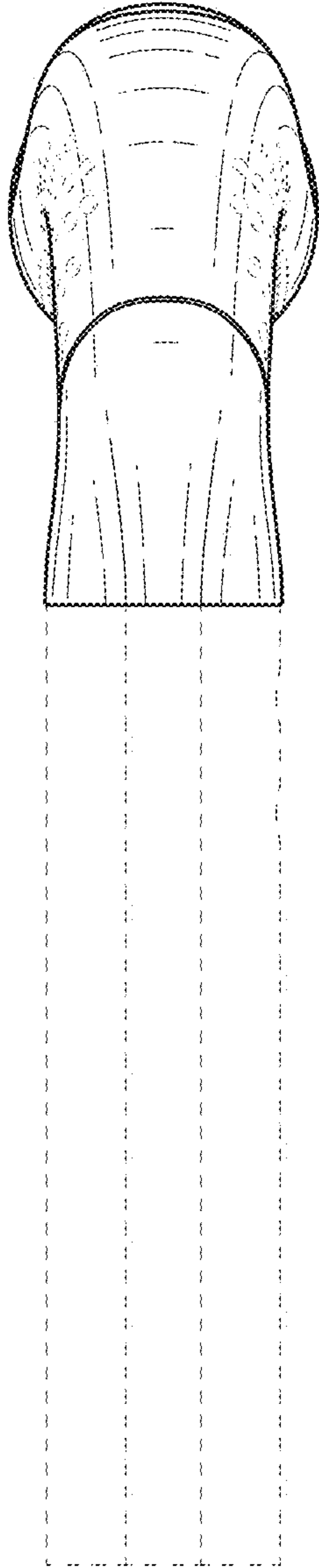
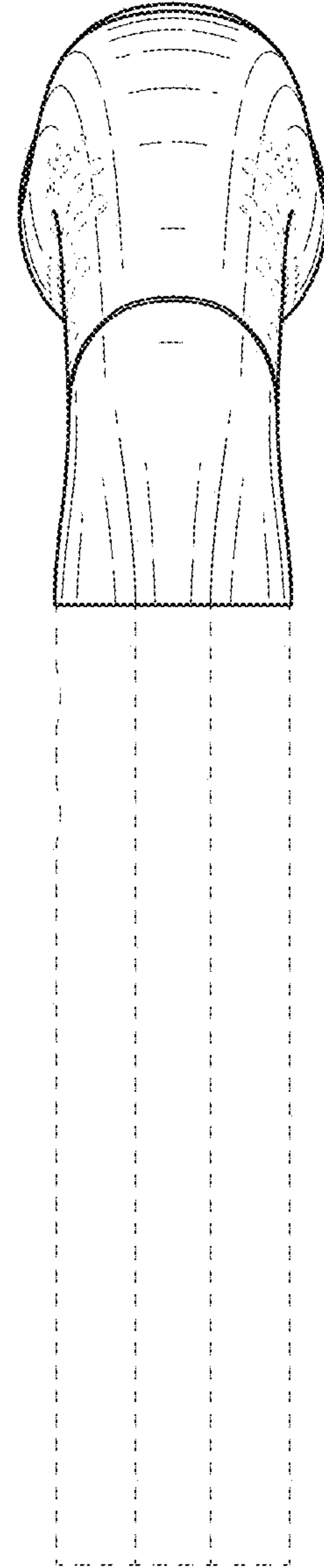


FIG. 3

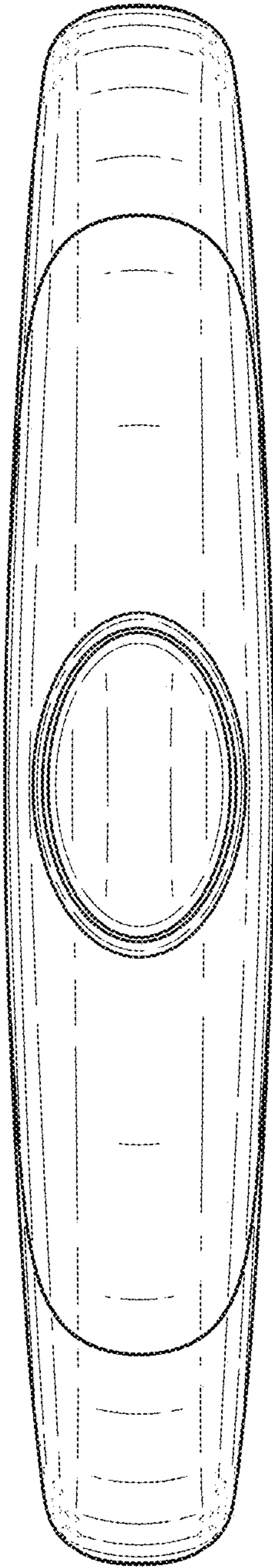




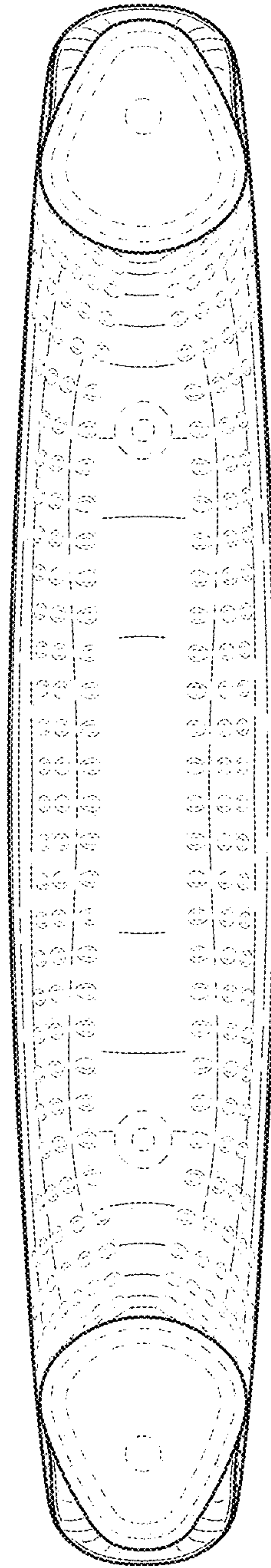
**FIG. 4**



**FIG. 5**



**FIG. 6**



**FIG. 7**