



US00D882263S

(12) **United States Design Patent** (10) **Patent No.:** **US D882,263 S**  
**Lu** (45) **Date of Patent:** **\*\* Apr. 28, 2020**

(54) **BOX**  
(71) Applicant: **Tao Lu**, Xianyou (CN)  
(72) Inventor: **Tao Lu**, Xianyou (CN)  
(\*\*) Term: **15 Years**

(21) Appl. No.: **29/706,083**  
(22) Filed: **Sep. 18, 2019**  
(51) **LOC (12) Cl.** ..... **03-01**  
(52) **U.S. Cl.**  
USPC ..... **D3/298**  
(58) **Field of Classification Search**  
USPC ..... D3/273, 274, 275, 276, 281, 284, 292,  
D3/294, 295, 296, 297, 298, 299, 905,  
D3/901, 903, 205, 203.1, 279, 282, 242,  
D3/301, 302; D9/418, 420-423;  
D28/76-78, 82-83; D99/28, 34  
CPC ..... A45C 5/04; A45C 11/16; A45C 11/00;  
A45C 5/00  
See application file for complete search history.

(56) **References Cited**  
U.S. PATENT DOCUMENTS  
D5,087 S \* 7/1871 Seldis ..... D3/298  
D111,537 S \* 9/1938 Graff ..... D3/298  
D159,130 S \* 6/1950 Auger ..... D3/298  
2,532,083 A \* 11/1950 Brenner ..... B65D 9/32  
217/62  
2,562,248 A \* 7/1951 Weed ..... A45C 11/20  
220/345.1

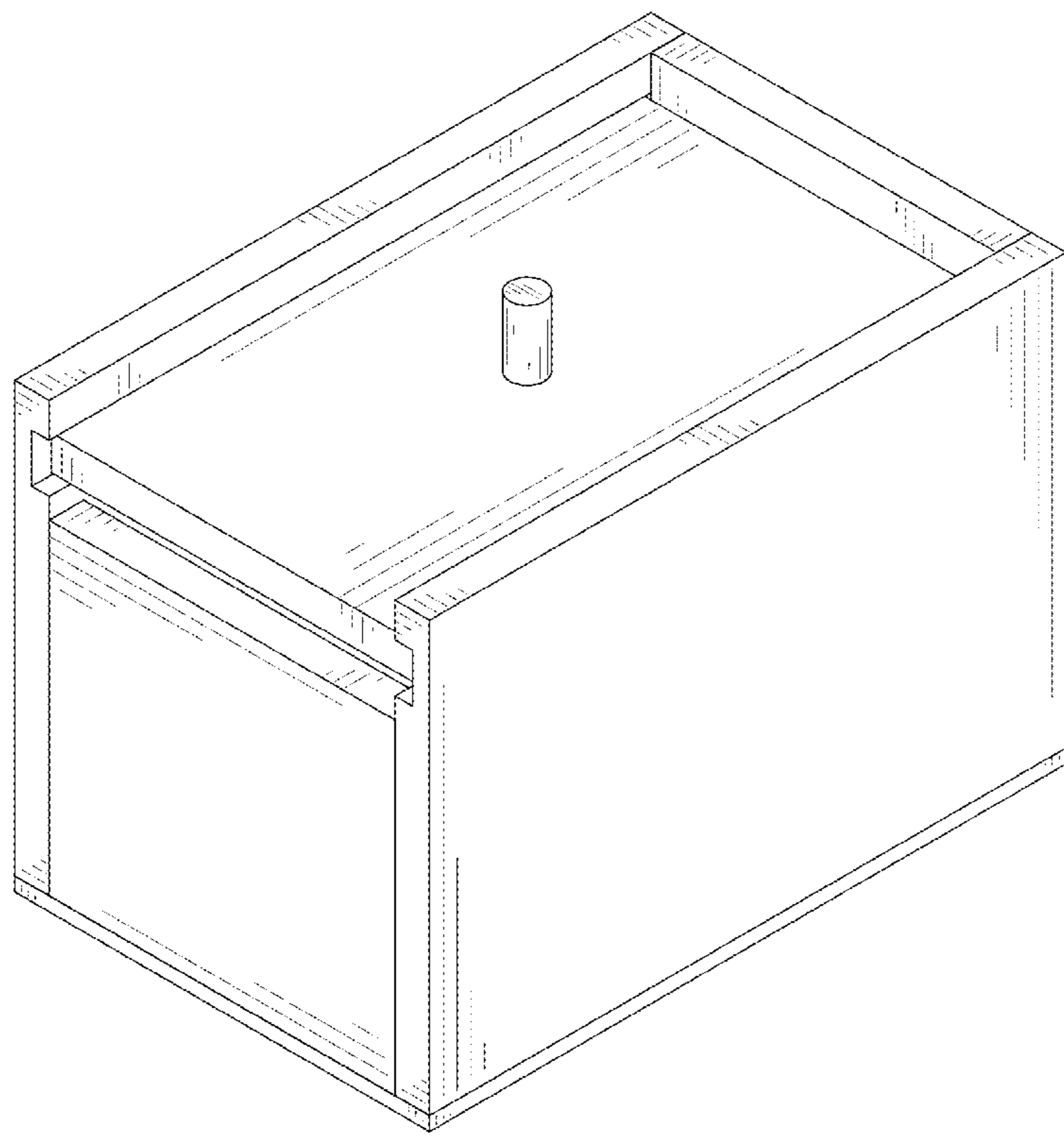
D170,728 S \* 10/1953 Tavalazzi ..... D3/298  
D229,097 S \* 11/1973 Kroger ..... D3/264  
D322,169 S \* 12/1991 Mietelski ..... D3/298  
D330,734 S \* 11/1992 Luten ..... D21/392  
D372,580 S \* 8/1996 Chipman, Sr. .... D3/262  
D806,532 S 1/2018 Richmond  
D808,258 S 1/2018 Lee  
D820,080 S 6/2018 Kase et al.

\* cited by examiner  
*Primary Examiner* — Holly E Thurman  
(74) *Attorney, Agent, or Firm* — HYIP

(57) **CLAIM**  
The ornamental design for a box, as shown and described.

**DESCRIPTION**  
FIG.1 is a first perspective view of a box showing my new design;  
FIG.2 is a second perspective view thereof;  
FIG.3 is a front view thereof;  
FIG.4 is a back view thereof;  
FIG.5 is a left side view thereof;  
FIG.6 is a right side view thereof;  
FIG.7 is a top view thereof;  
FIG.8 is a bottom view thereof; and,  
FIG.9 is a perspective view of another state of the box thereof.  
The broken lines in the drawings depict portions of the box that form no part of the claimed design.

**1 Claim, 9 Drawing Sheets**



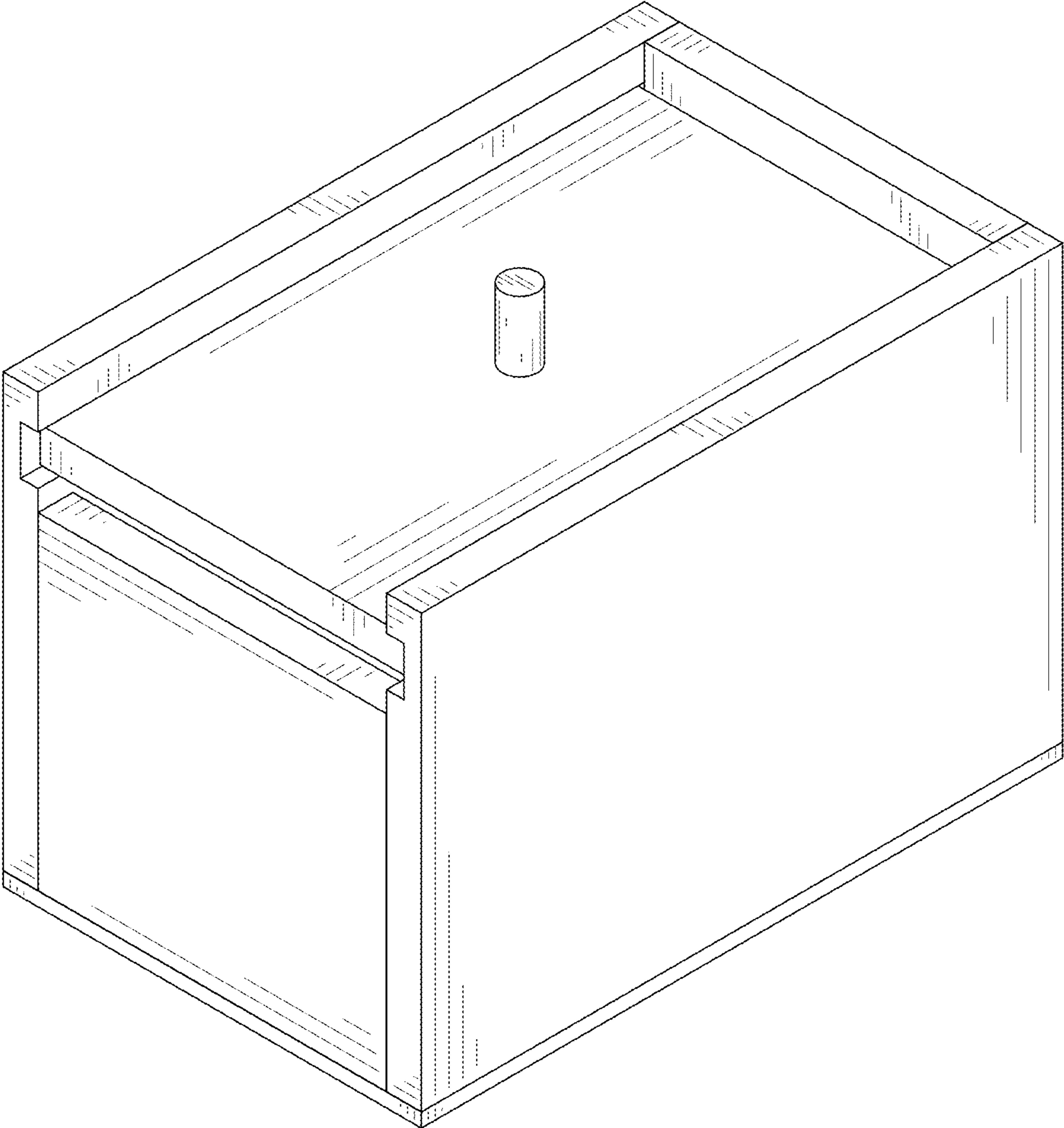


FIG. 1

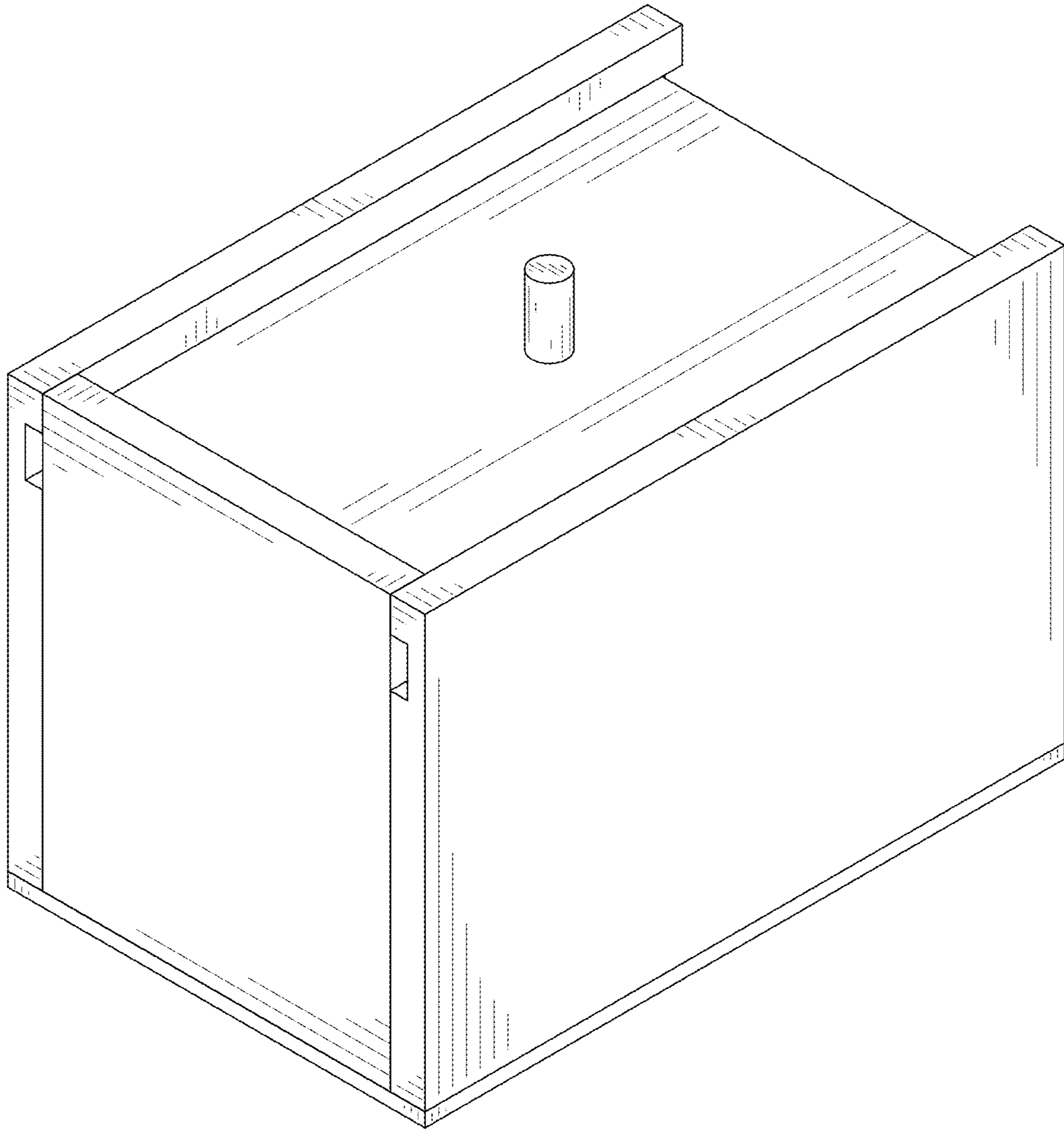


FIG. 2

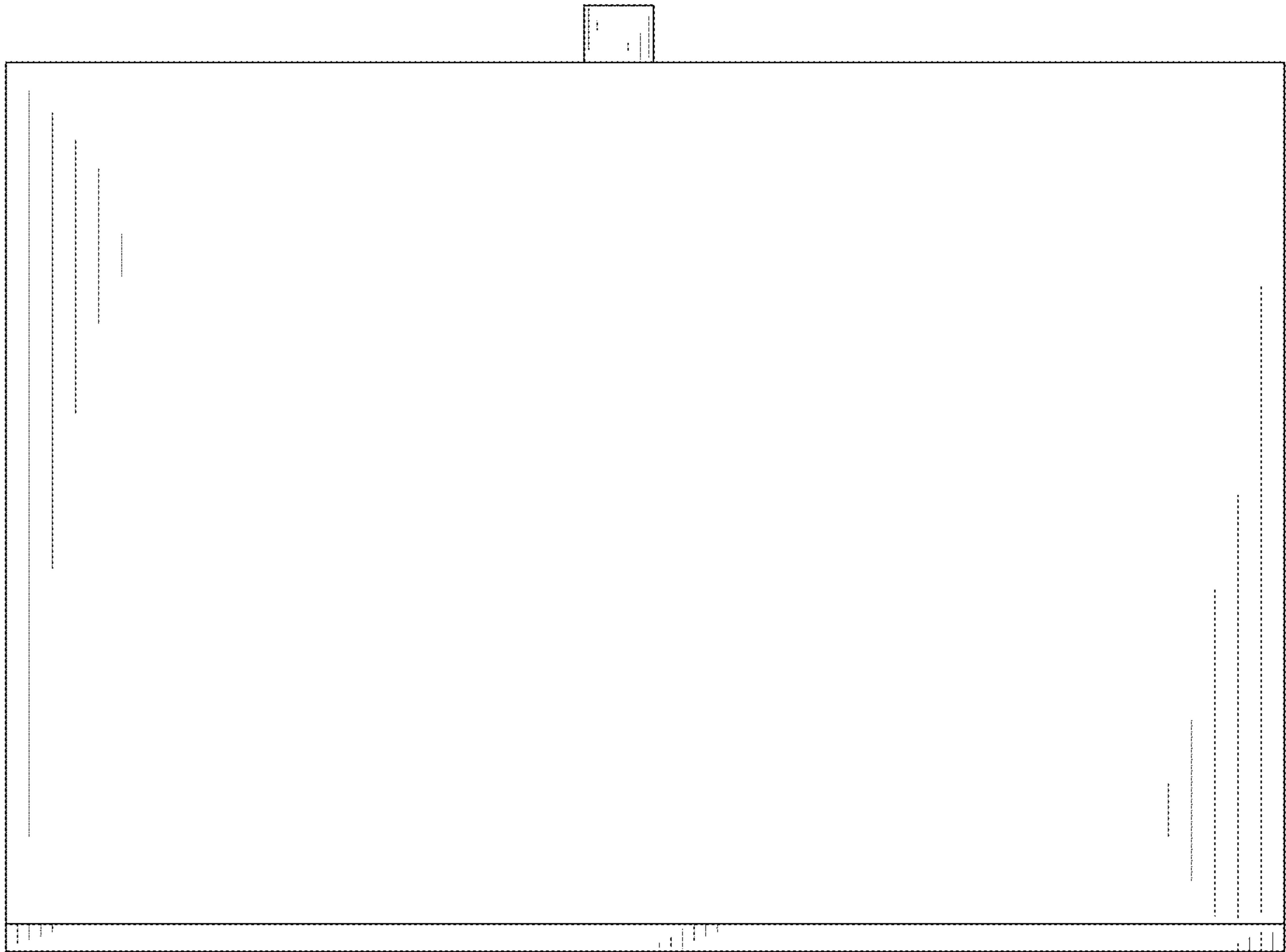


FIG. 3

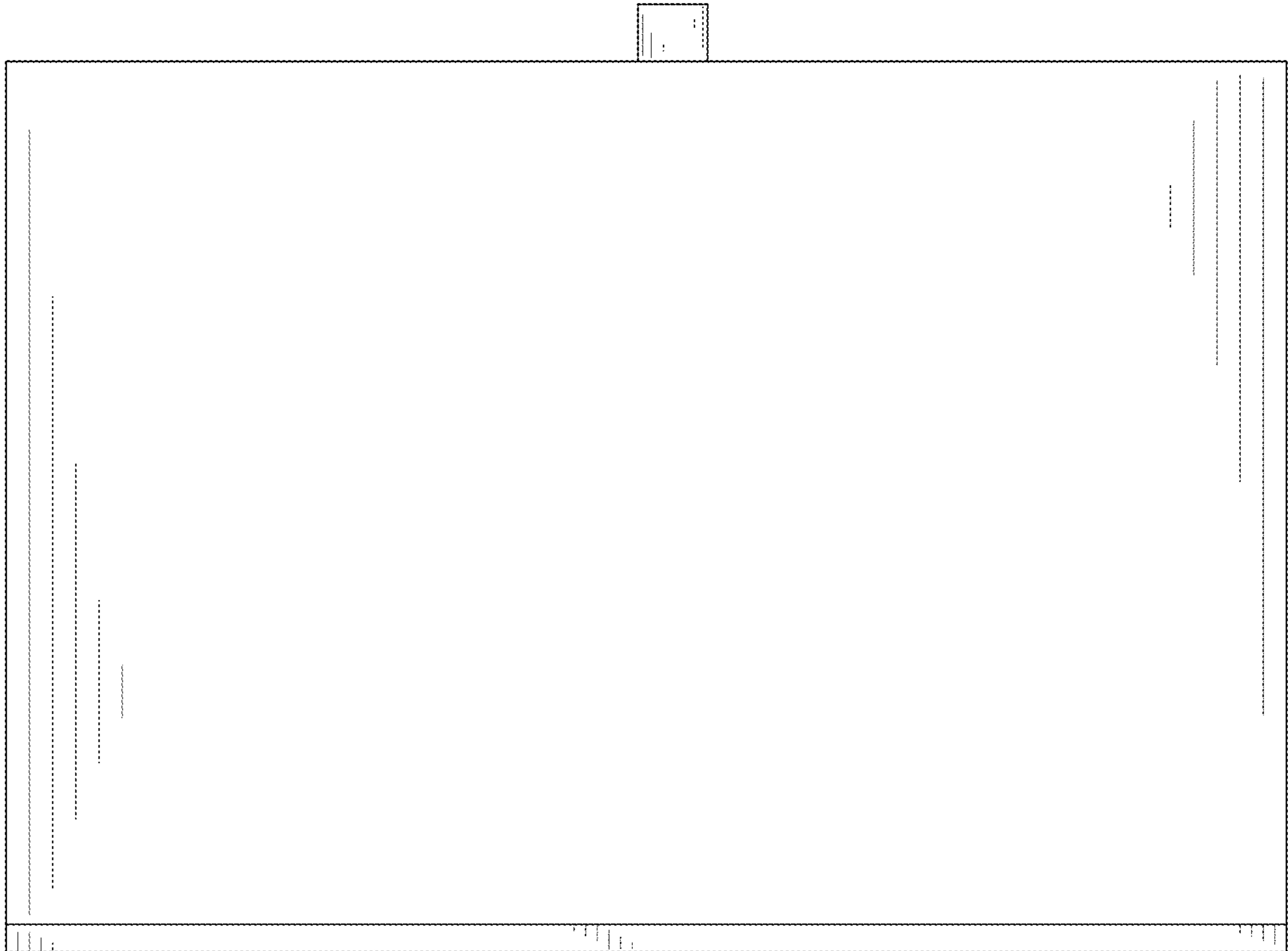


FIG. 4

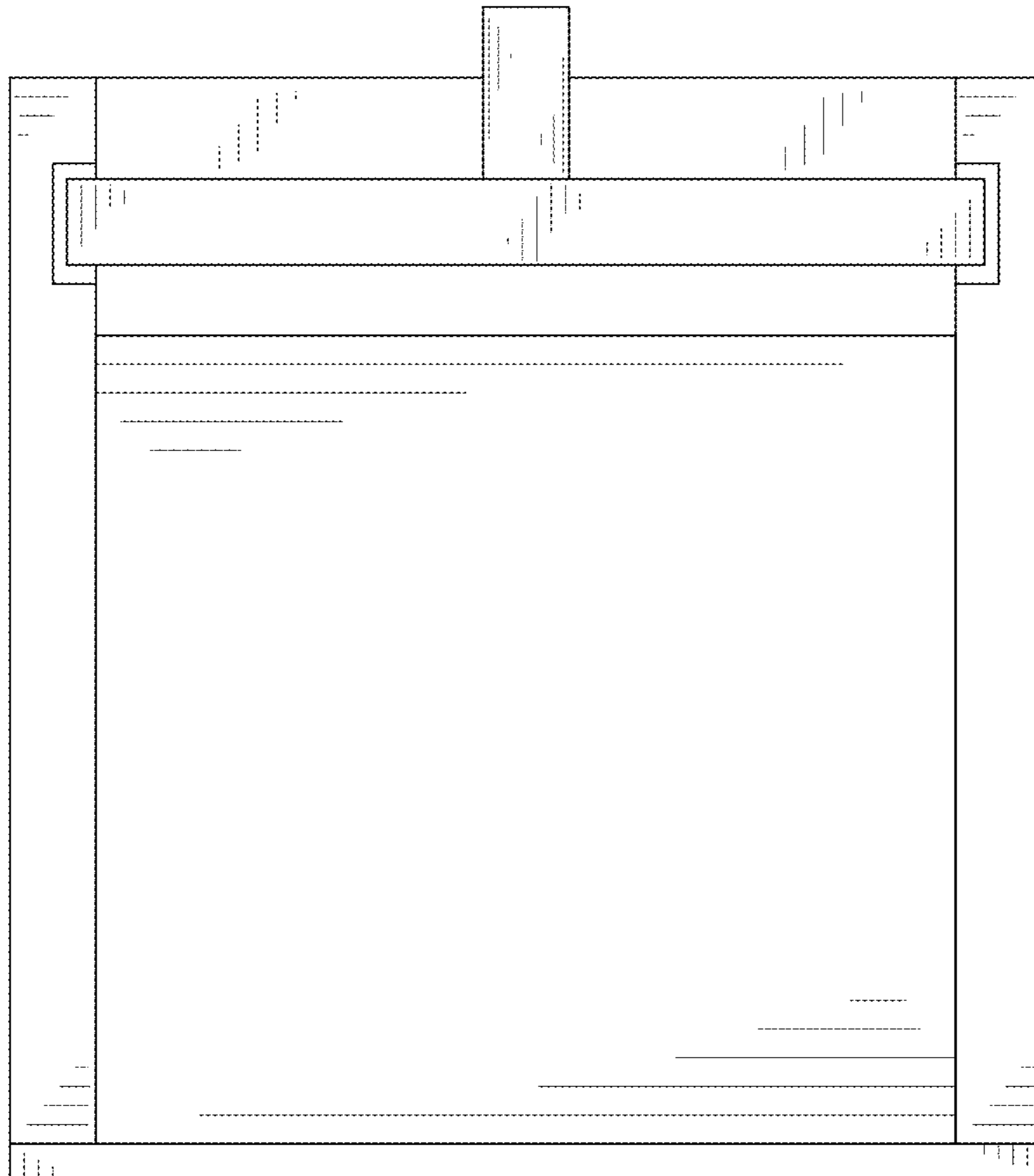


FIG. 5

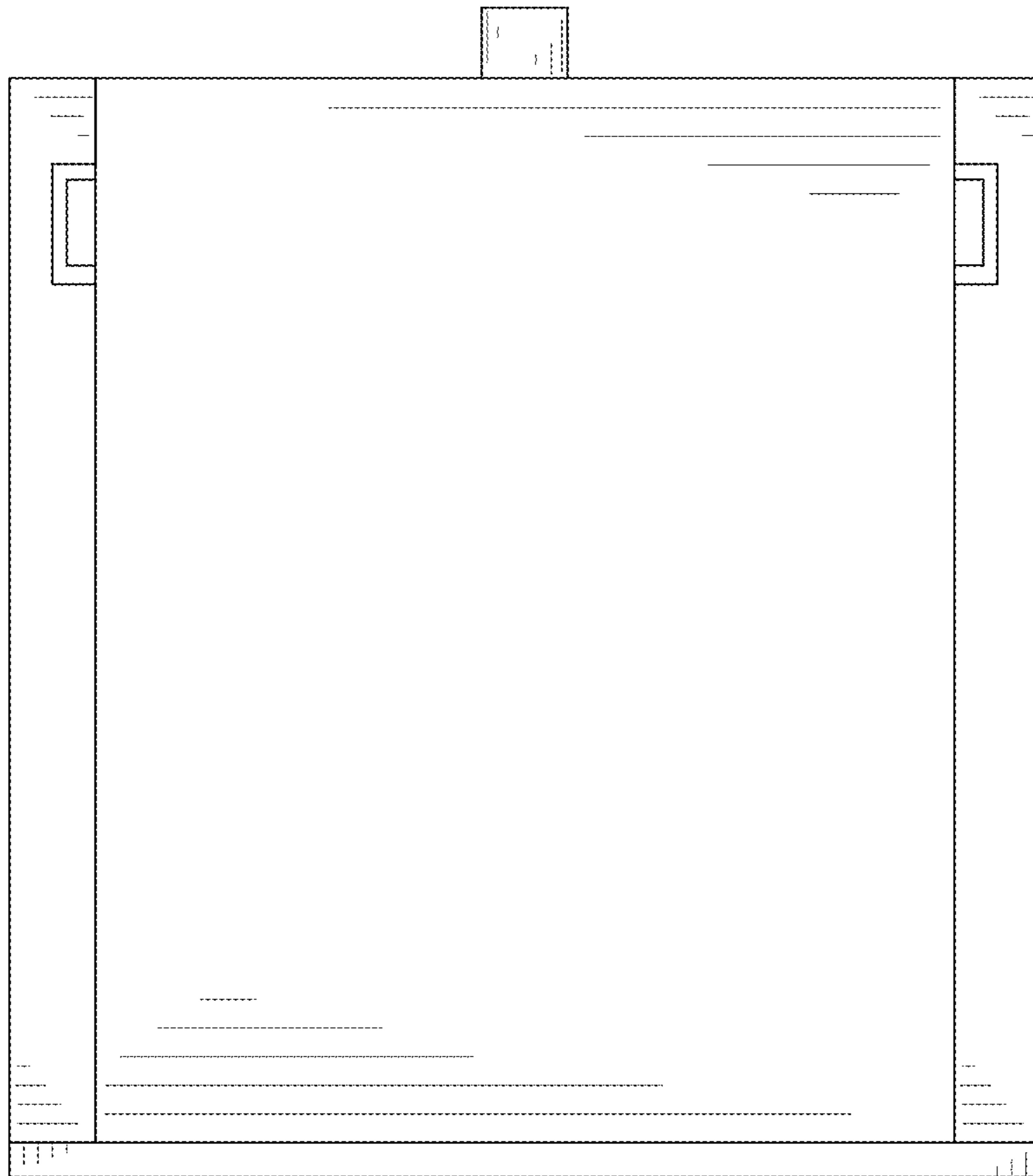


FIG. 6

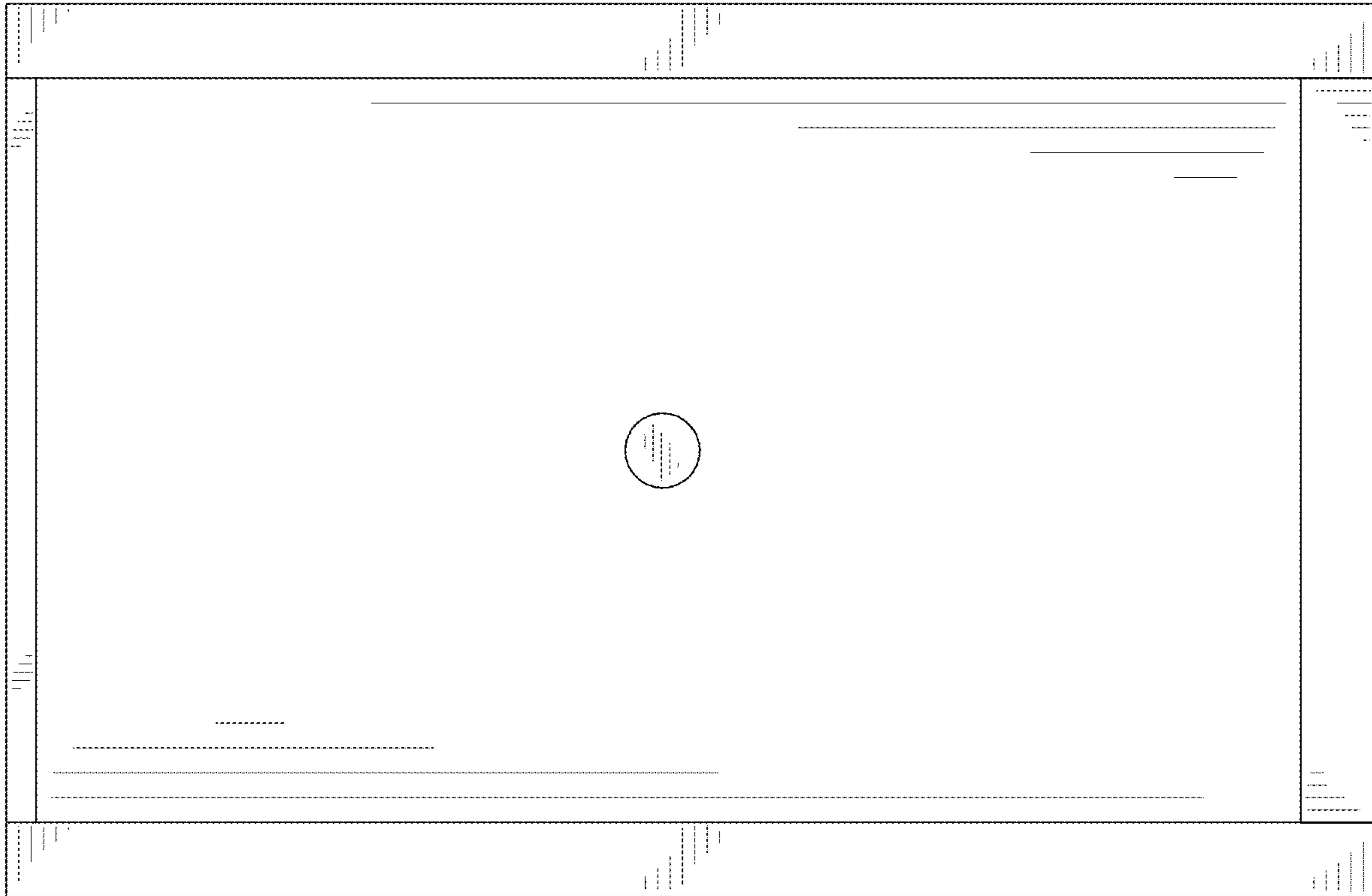


FIG. 7



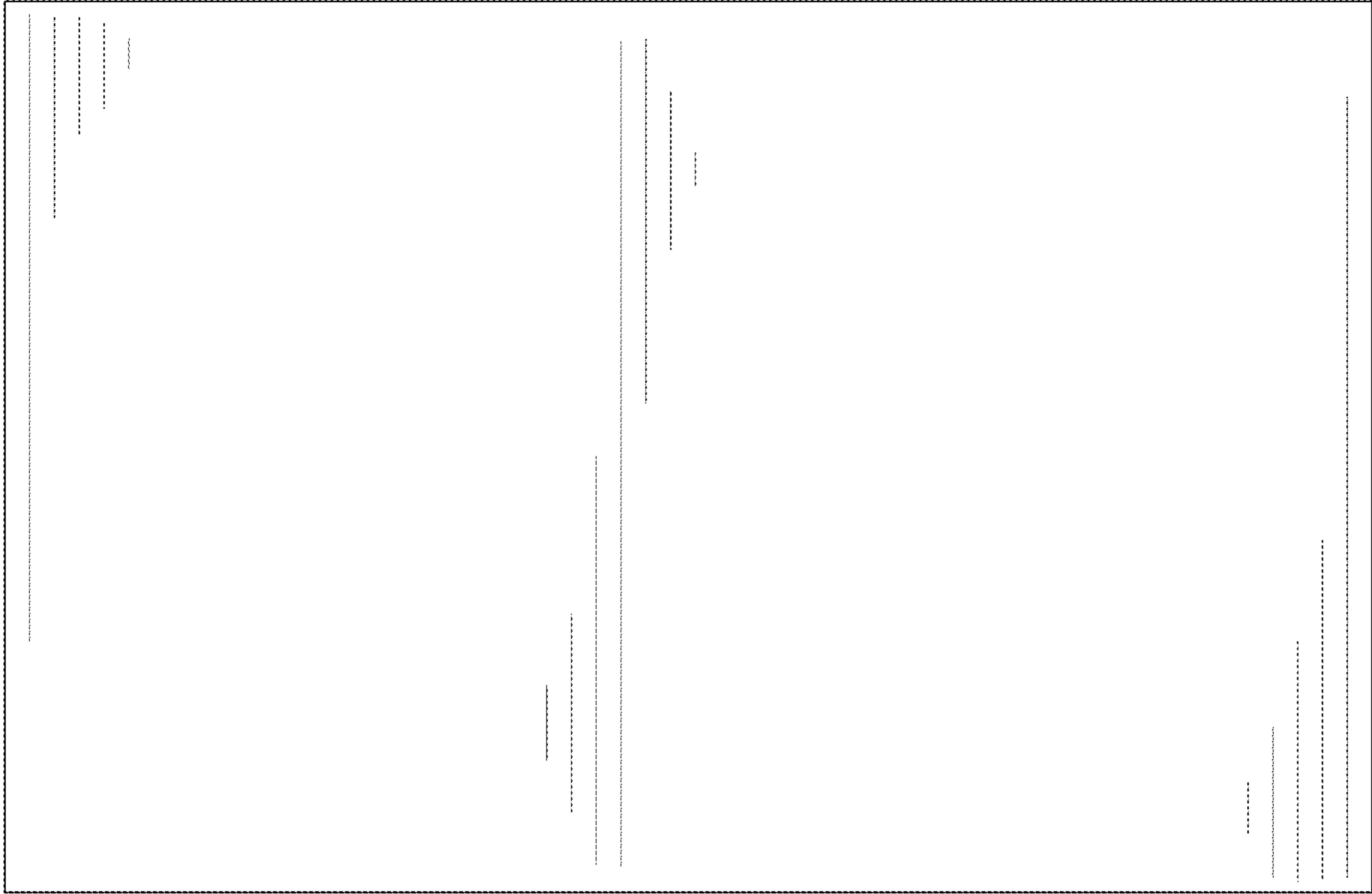


FIG. 8

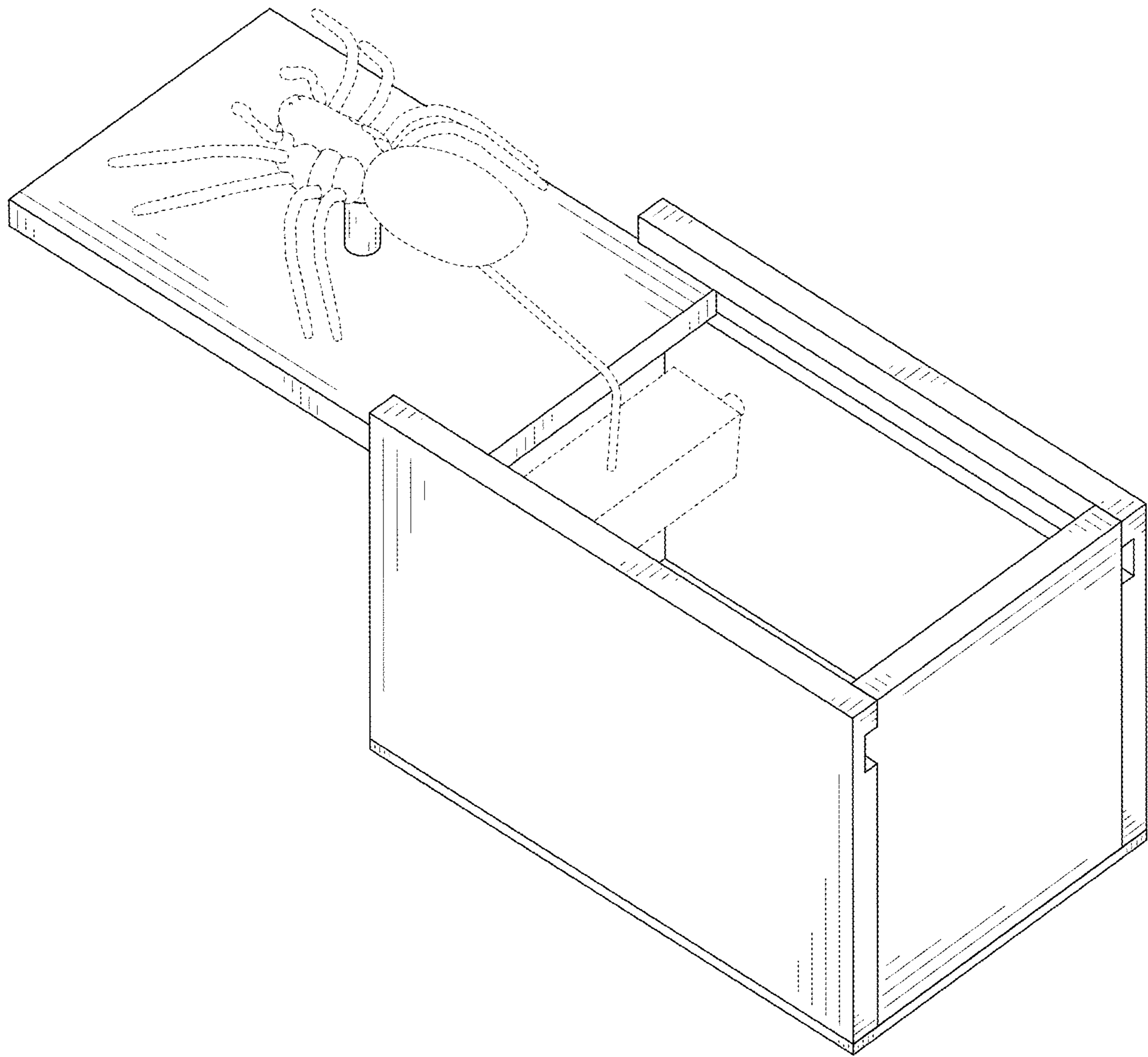


FIG. 9