



US00D882262S

(12) **United States Design Patent**
Zhang

(10) **Patent No.:** **US D882,262 S**

(45) **Date of Patent:** **** Apr. 28, 2020**

- (54) **EARPHONE BOX**
- (71) Applicant: **Liu Zhang**, Shenzhen (CN)
- (72) Inventor: **Liu Zhang**, Shenzhen (CN)
- (**) Term: **15 Years**
- (21) Appl. No.: **29/718,760**
- (22) Filed: **Dec. 27, 2019**
- (51) **LOC (12) Cl.** **03-01**
- (52) **U.S. Cl.**
USPC **D3/294**
- (58) **Field of Classification Search**
USPC D3/201, 203.1, 203.3, 203.6, 205, 218,
D3/272-273, 294-295, 301, 319;
D9/414, 418, 423-426, 430, 432,
D9/455-457, 721, 737
CPC ... A45C 11/16; A47F 7/03; A47F 7/02; A47G
23/06; A61B 2019/5208
See application file for complete search history.

- D838,480 S * 1/2019 Son D3/294
- D839,583 S * 2/2019 Cao
- D846,264 S * 4/2019 Wu
- D851,035 S * 6/2019 Hong D13/108
- D851,913 S * 6/2019 Yu
- D864,110 S * 10/2019 Yoshimura D13/108
- D873,217 S * 1/2020 Zhang D13/108

* cited by examiner

Primary Examiner — Holly E Thurman
(74) *Attorney, Agent, or Firm* — ScienBiziP, P.C.

(57) **CLAIM**

The ornamental design for an earphone box, as shown and described.

DESCRIPTION

FIG. 1 is a top, front, right side perspective view of an earphone box, showing my design.
 FIG. 2 is a bottom, rear, left side perspective view thereof.
 FIG. 3 is a front elevation view thereof.
 FIG. 4 is a rear elevation view thereof.
 FIG. 5 is a left side elevation view thereof.
 FIG. 6 is a right side elevation view thereof.
 FIG. 7 is a top plan view thereof.
 FIG. 8 is a bottom plan view thereof; and,
 FIG. 9 is a perspective view thereof, shown in an opened state.
 The details shown in broken lines form no part of the claimed design.

1 Claim, 9 Drawing Sheets

(56) **References Cited**
U.S. PATENT DOCUMENTS

- D106,777 S * 11/1937 Voigt et al. D3/294
- D291,558 S * 8/1987 Fonville D3/272
- D487,192 S * 3/2004 Farnham D3/294
- D527,182 S * 8/2006 Ham D3/274
- D529,288 S * 10/2006 Ham D3/294
- D548,969 S * 8/2007 Bramley D21/394
- D675,434 S * 2/2013 Vernall D3/294
- D761,023 S * 7/2016 Tramontana D3/203.1
- D772,572 S * 11/2016 Palmborg D3/201

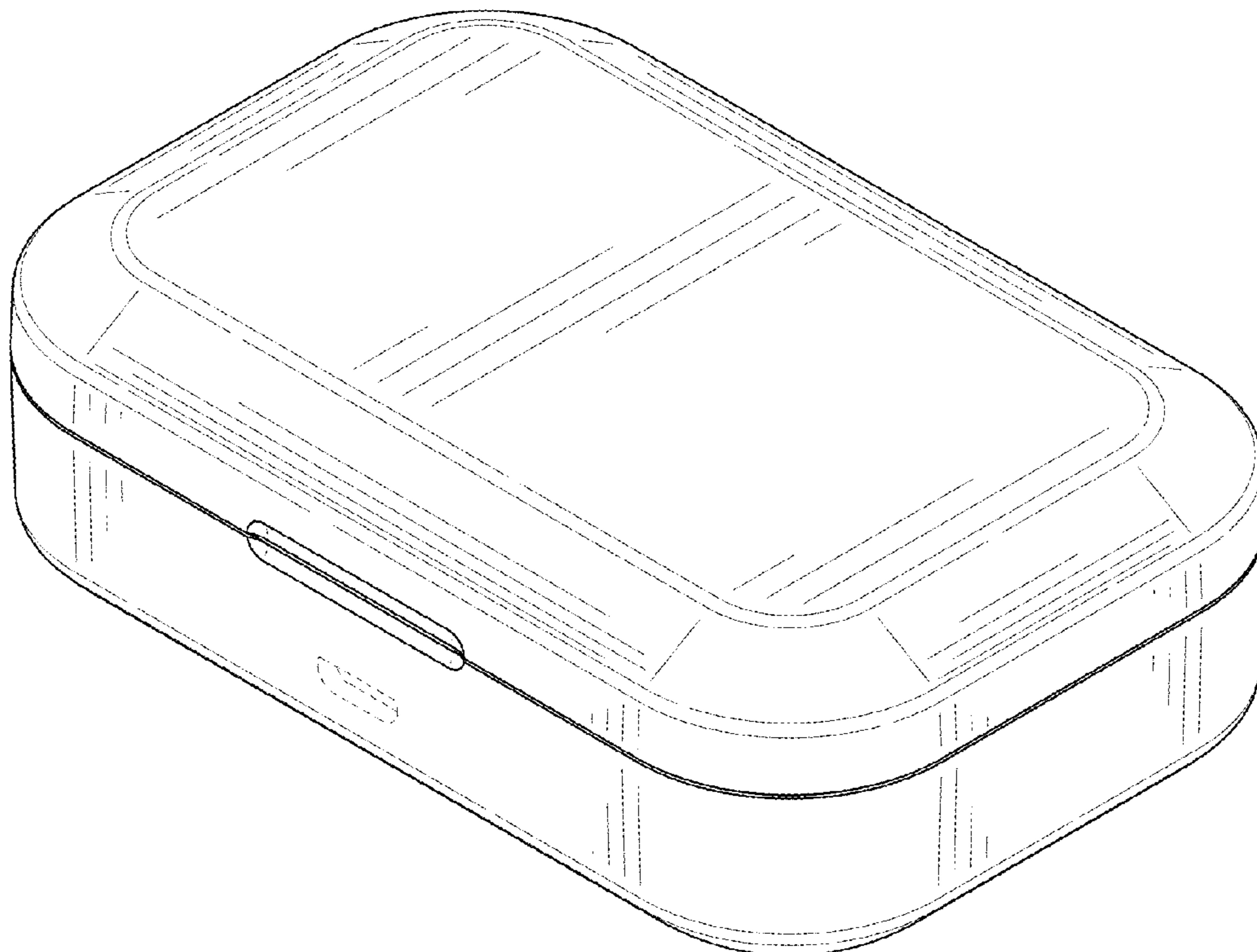




FIG. 1

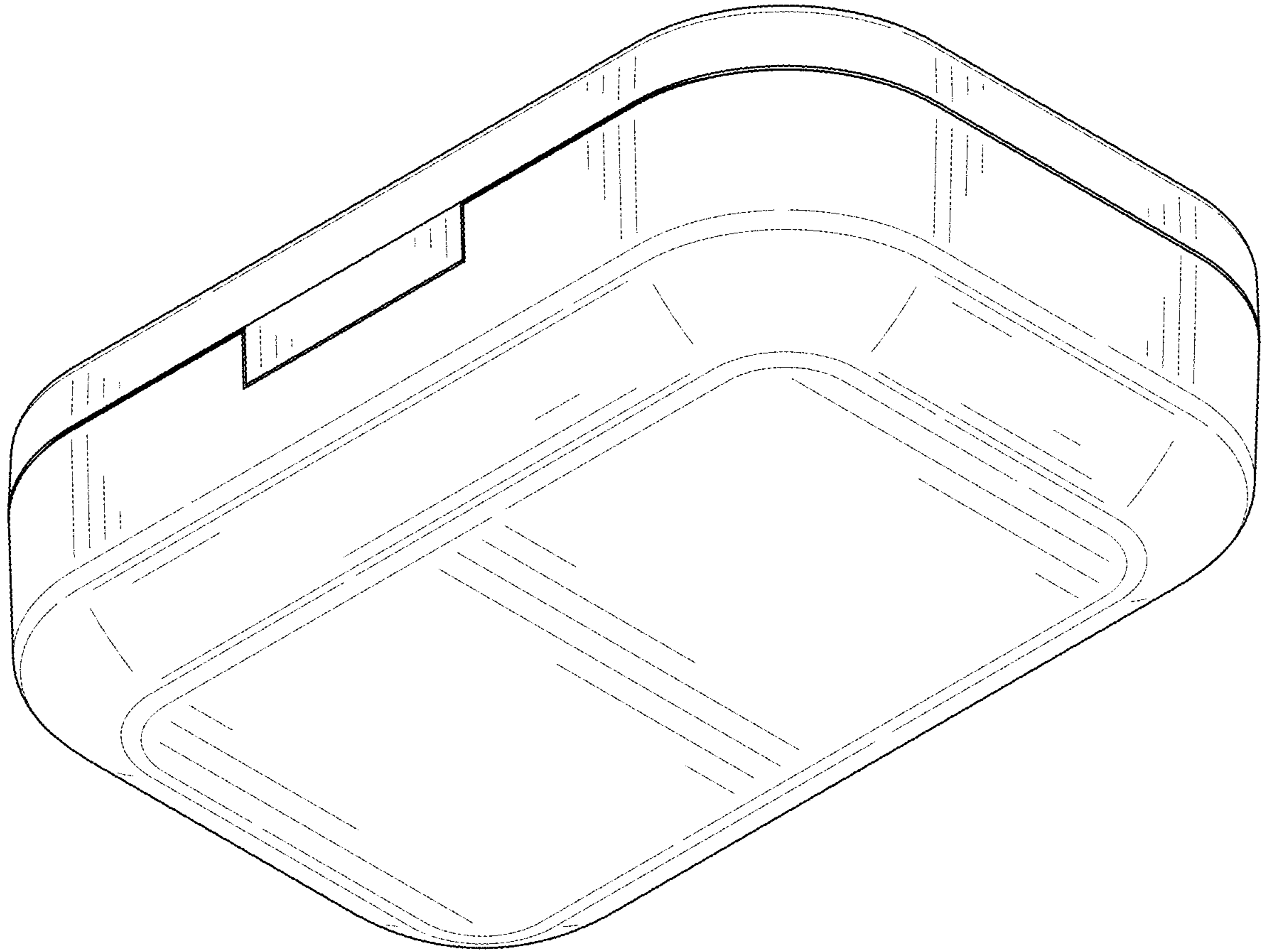


FIG. 2

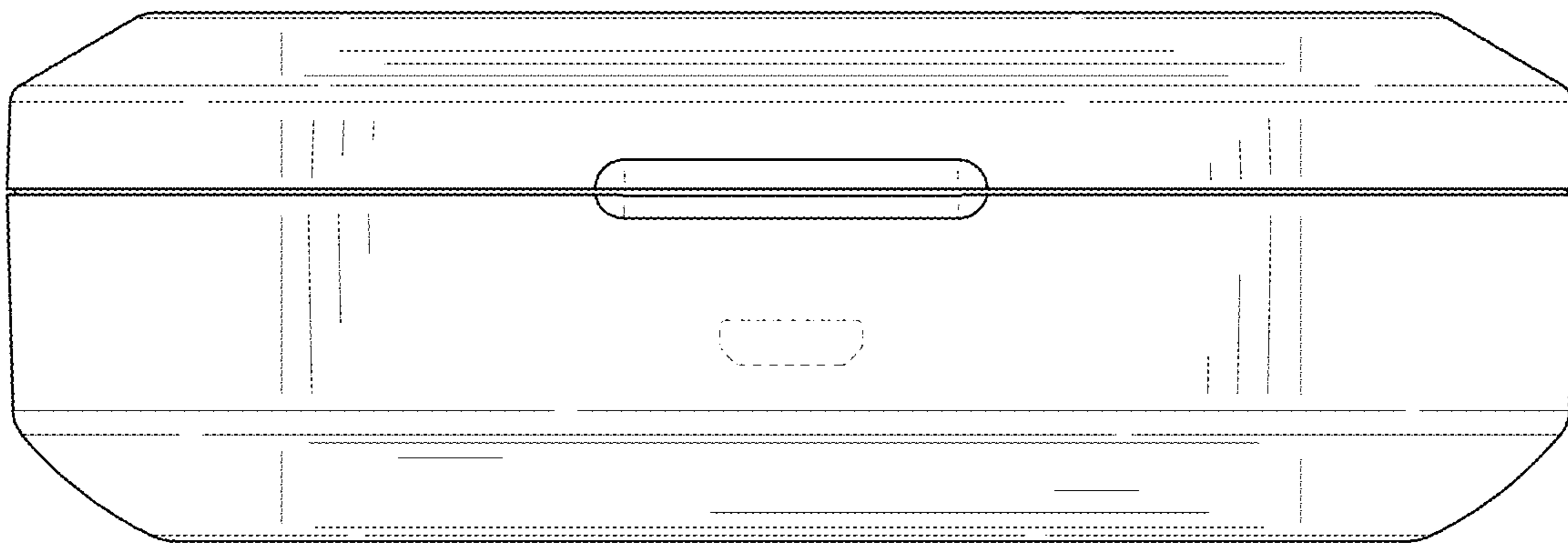


FIG. 3

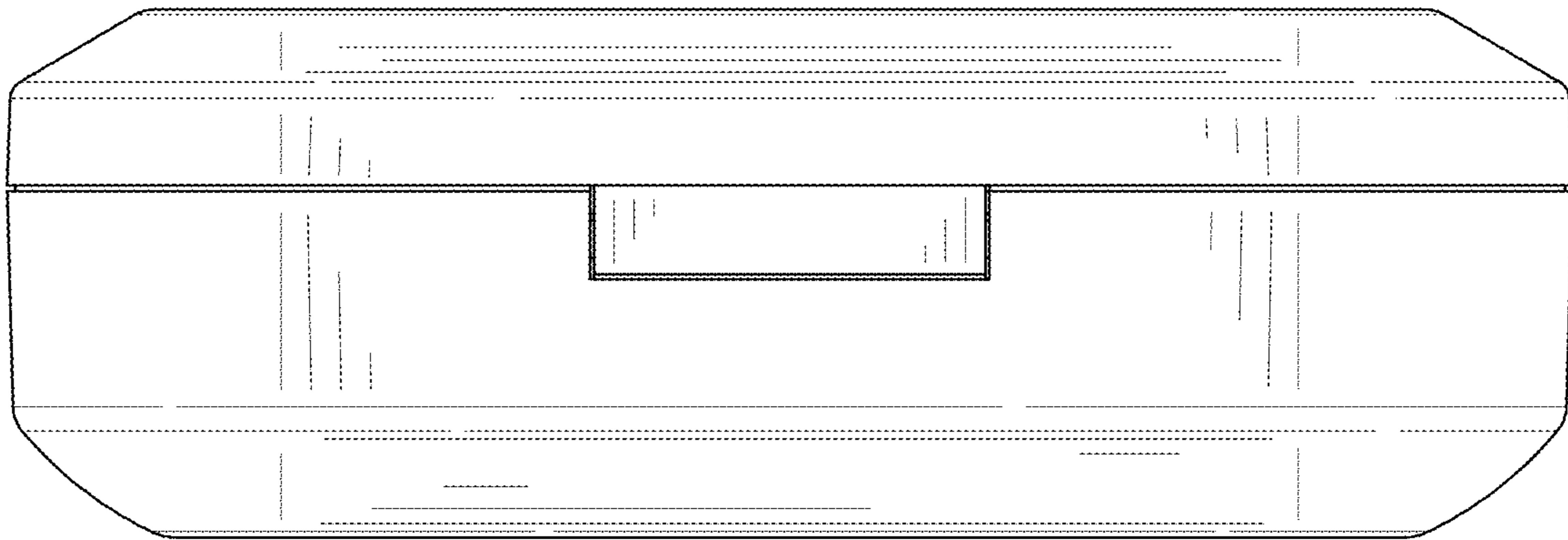


FIG. 4

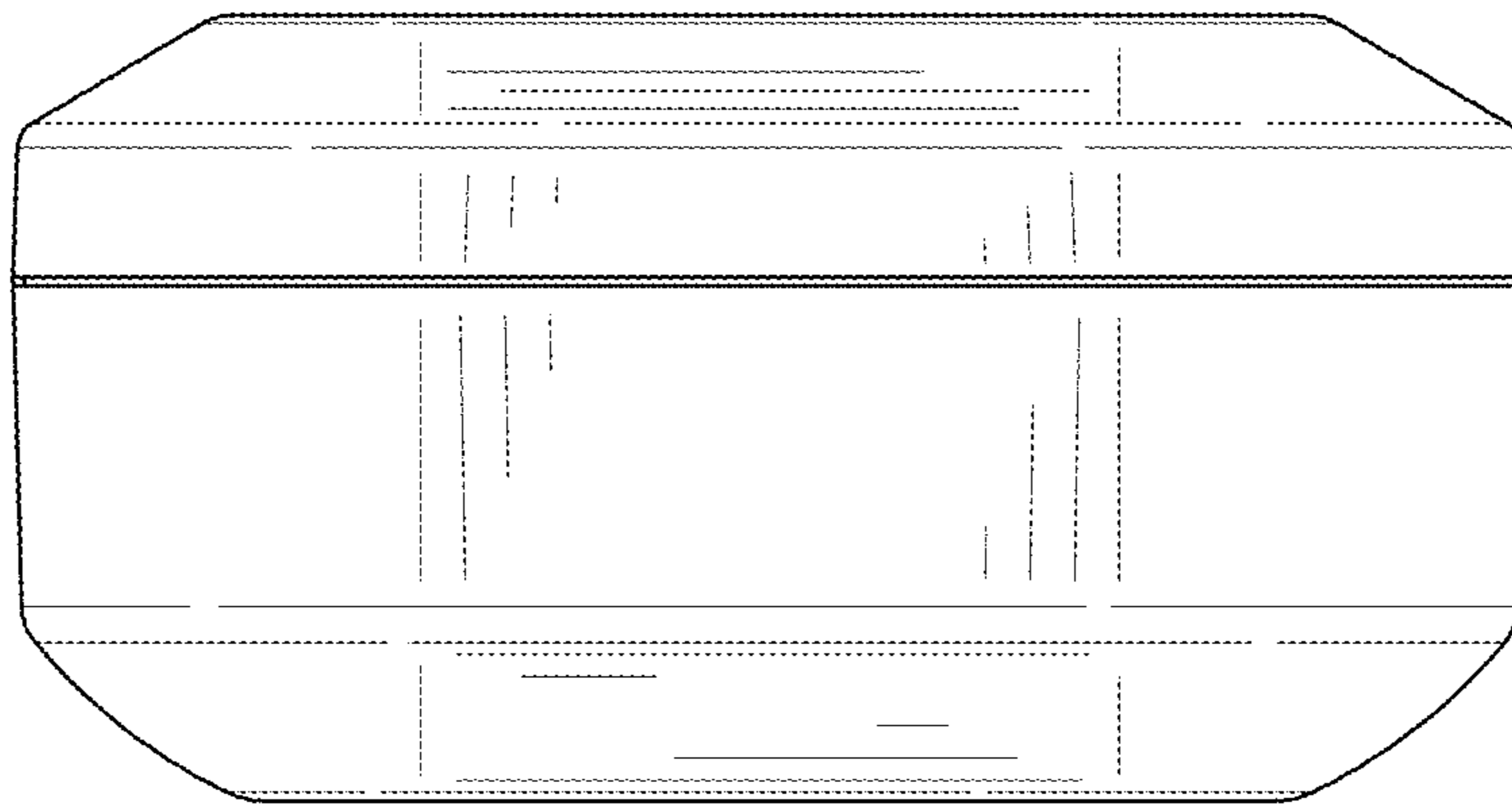


FIG. 5

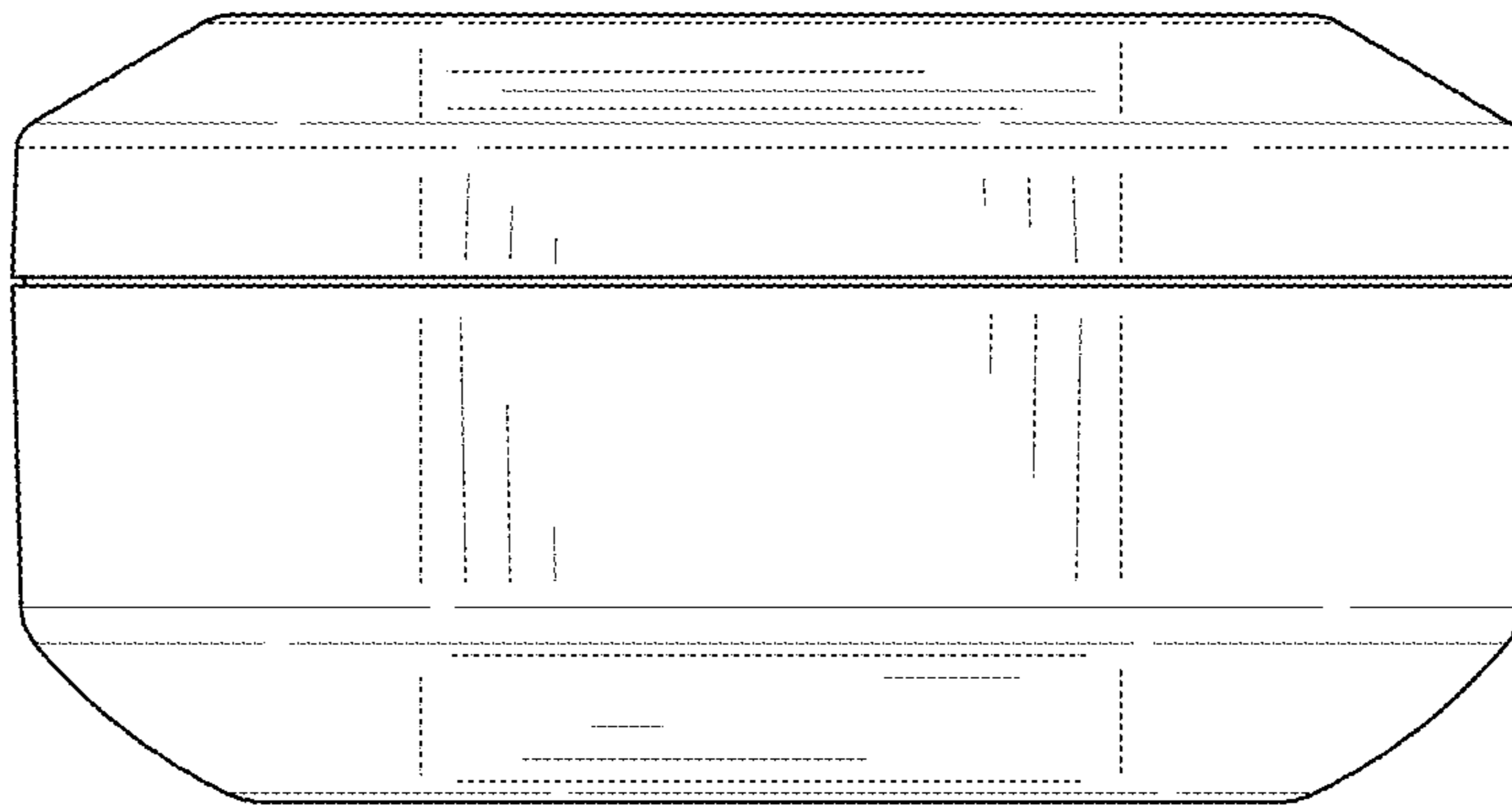


FIG. 6

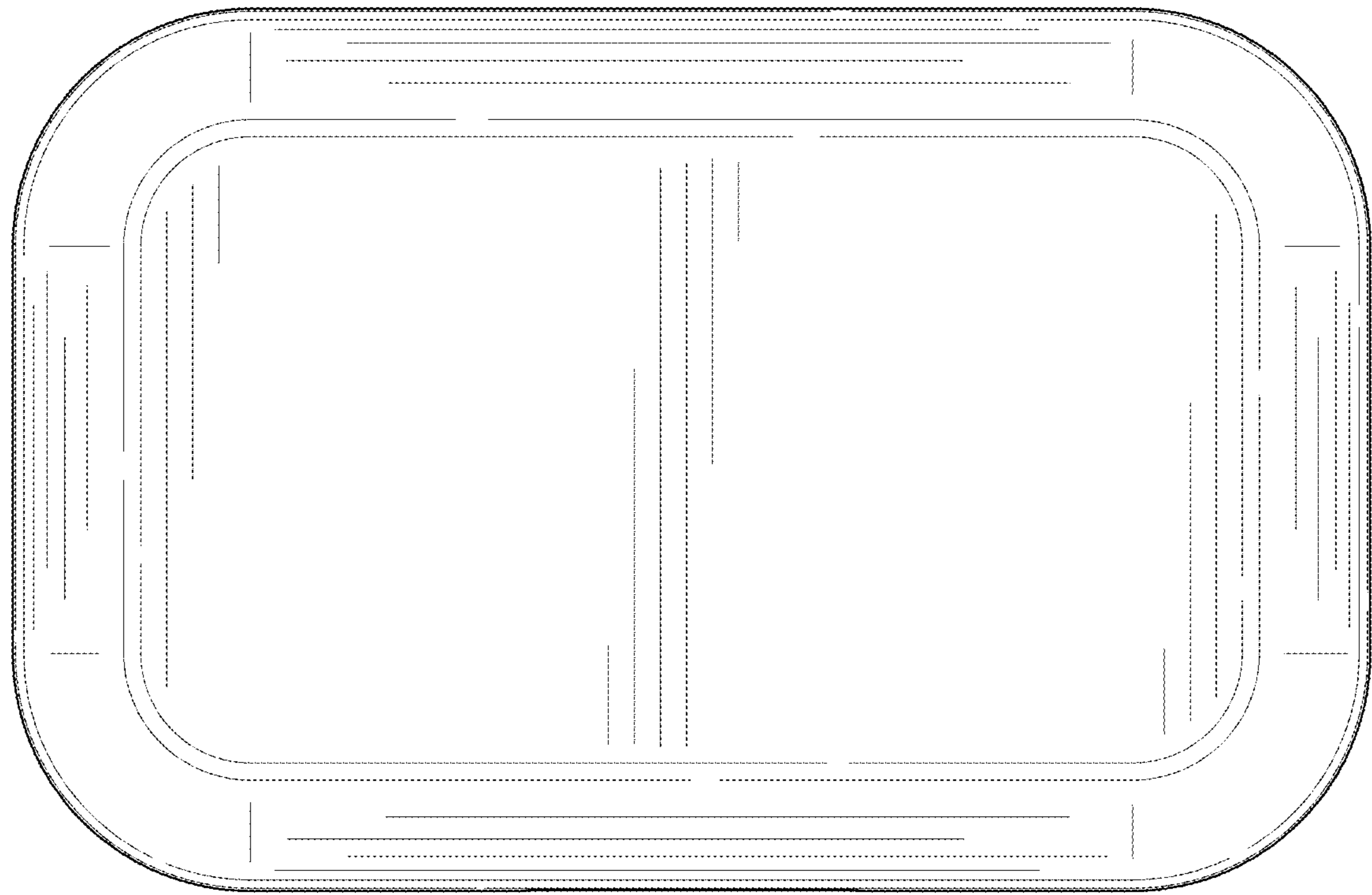


FIG. 7

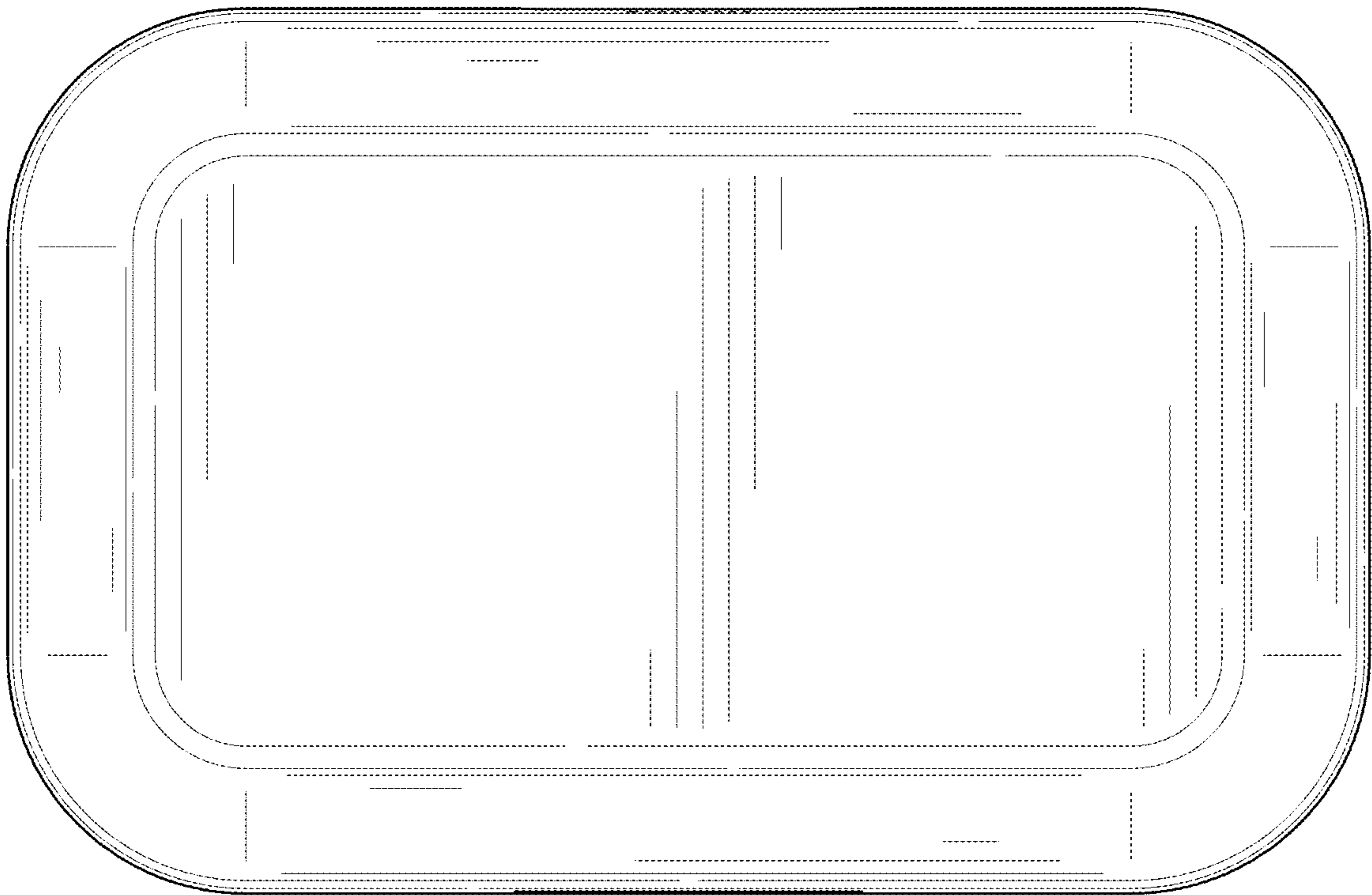


FIG. 8

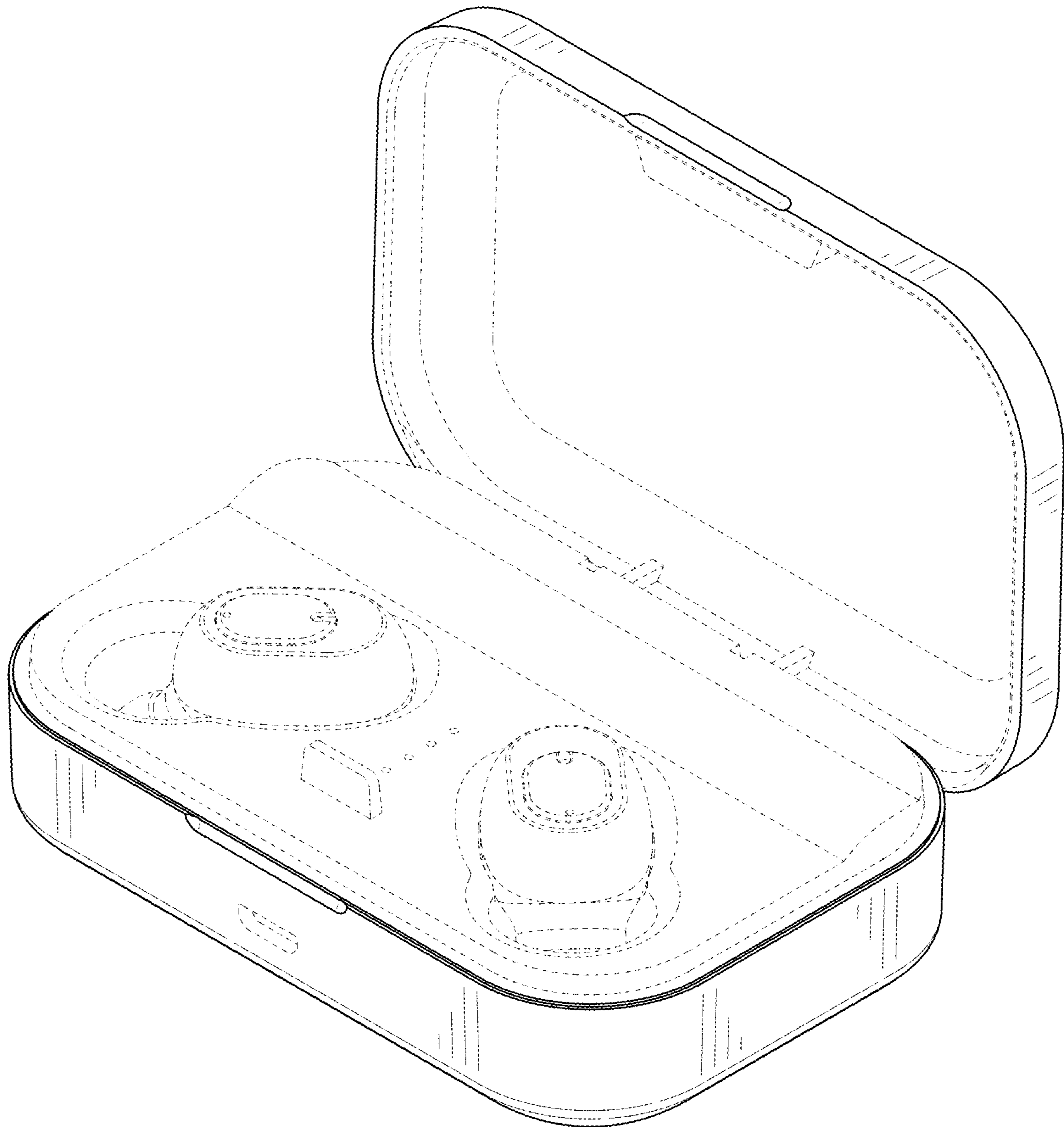


FIG. 9