



US00D882261S

(12) **United States Design Patent** (10) **Patent No.:** **US D882,261 S**  
**Li** (45) **Date of Patent:** **\*\* \*Apr. 28, 2020**

(54) **LAPTOP BAG**

(71) Applicant: **Xiu Li**, Hunan (CN)

(72) Inventor: **Xiu Li**, Hunan (CN)

(\*) Notice: This patent is subject to a terminal disclaimer.

(\*\*) Term: **15 Years**

(21) Appl. No.: **29/606,537**

(22) Filed: **Jun. 6, 2017**

(51) **LOC (12) Cl.** ..... **03-01**

(52) **U.S. Cl.**

USPC ..... **D3/284; D3/287; D3/290**

(58) **Field of Classification Search**

USPC ..... D3/201, 203.1, 203.2, 273, 276, 294,  
D3/295, 298, 302, 318, 901, 902, 284,  
D3/287, 290

CPC ..... A45C 5/00; A45C 2011/003; A45C 11/24;  
A45C 2200/05; A45C 11/00; G06F  
1/1616

See application file for complete search history.

(56) **References Cited**

**U.S. PATENT DOCUMENTS**

5,724,225	A *	3/1998	Hrusoff	.....	G06F 1/163 361/679.55
D414,751	S *	10/1999	Yogalingam	.....	D14/335
7,191,926	B1 *	3/2007	Costantino	.....	G06F 1/1628 190/102
D543,700	S *	6/2007	Parker	.....	D14/315
7,333,327	B1 *	2/2008	Ho	.....	A47B 21/0314 206/320
7,886,903	B1 *	2/2011	Wurzelbacher, Jr.	.....	G06F 1/1616 206/320

D848,743	S *	5/2019	Grote	.....	D3/327
D854,828	S *	7/2019	Dietsche	.....	D3/294
2006/0037987	A1 *	2/2006	Lin	.....	A45C 5/00 224/646
2014/0209503	A1 *	7/2014	Angel	.....	A45C 11/00 206/736
2016/0338459	A1 *	11/2016	Yow	.....	A45C 11/00
2018/0110306	A1 *	4/2018	Armstrong	.....	A45C 11/00
2018/0348817	A1 *	12/2018	Armstrong	.....	G06F 1/1616

**OTHER PUBLICATIONS**

Amazon, "UZBL 11-11.6 inch Work-in Chromebook Laptop Case with Pouch and Shoulder Strap", First on sale Nov. 6, 2018. (<https://www.amazon.com/UZBL-Protective-Accessory-Chromebook-Ultrabook/dp/B07JP3Z71G/>) (Year: 2018).\*

\* cited by examiner

*Primary Examiner* — April Rivas

(74) *Attorney, Agent, or Firm* — Justin Lampel

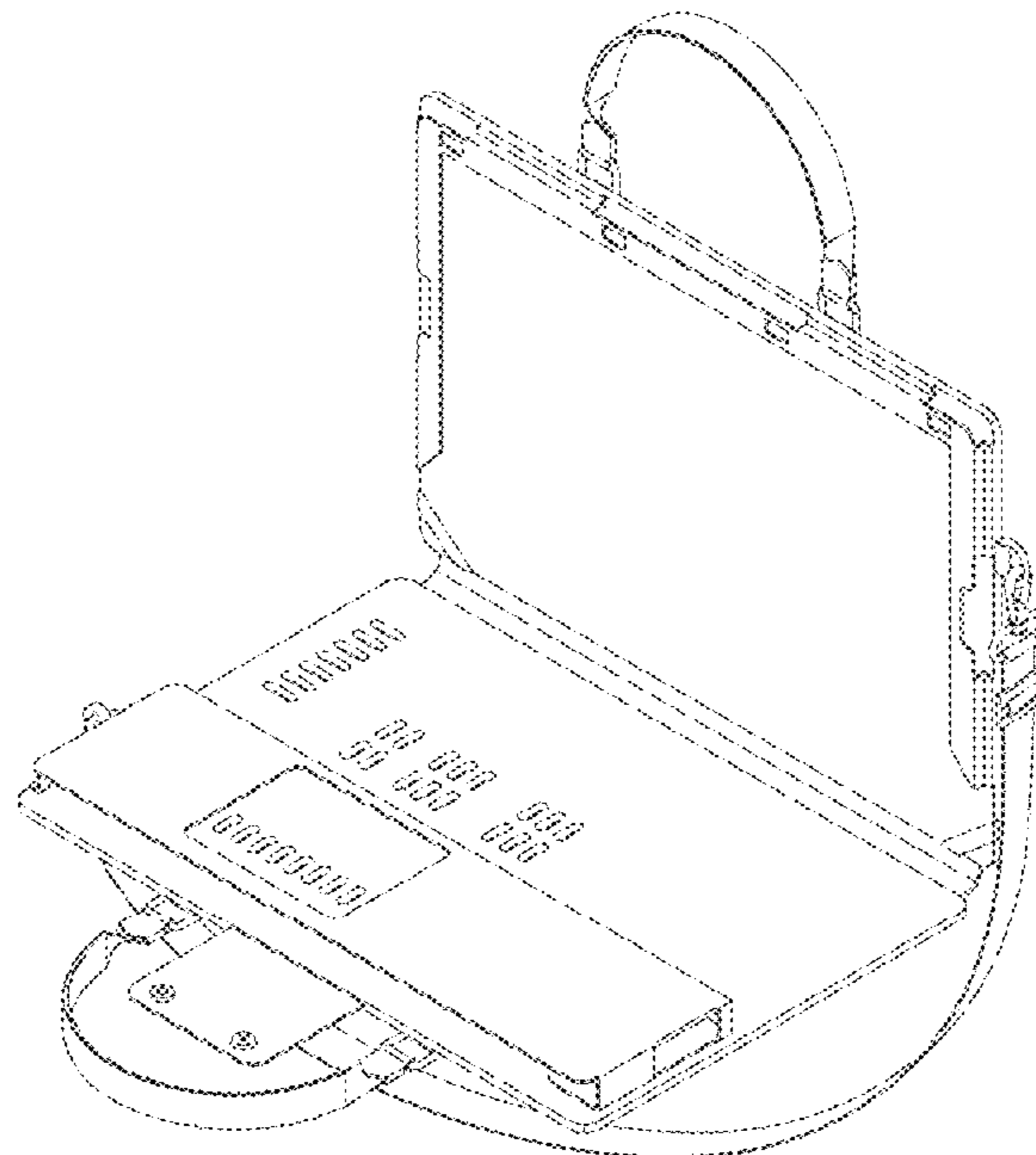
(57) **CLAIM**

The ornamental design for a laptop bag, as shown and described.

**DESCRIPTION**

FIG. 1 is a perspective view of a laptop bag showing my new design;  
FIG. 2 is a front elevational view thereof;  
FIG. 3 is a rear elevational view thereof;  
FIG. 4 is a right side view thereof;  
FIG. 5 is a left side view thereof;  
FIG. 6 is a bottom plan view thereof; and,  
FIG. 7 is a top plan view thereof.

**1 Claim, 7 Drawing Sheets**



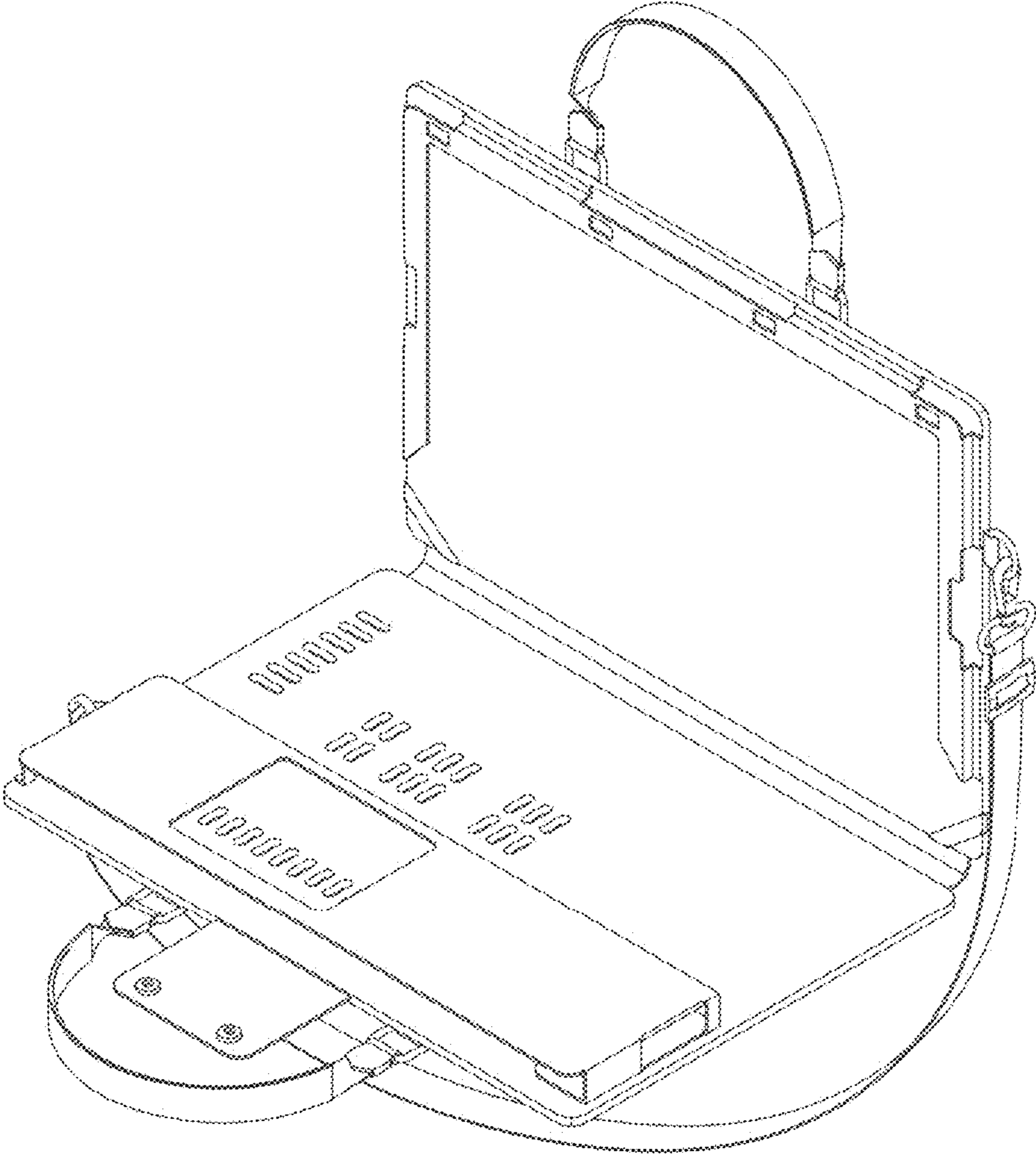


FIG.1

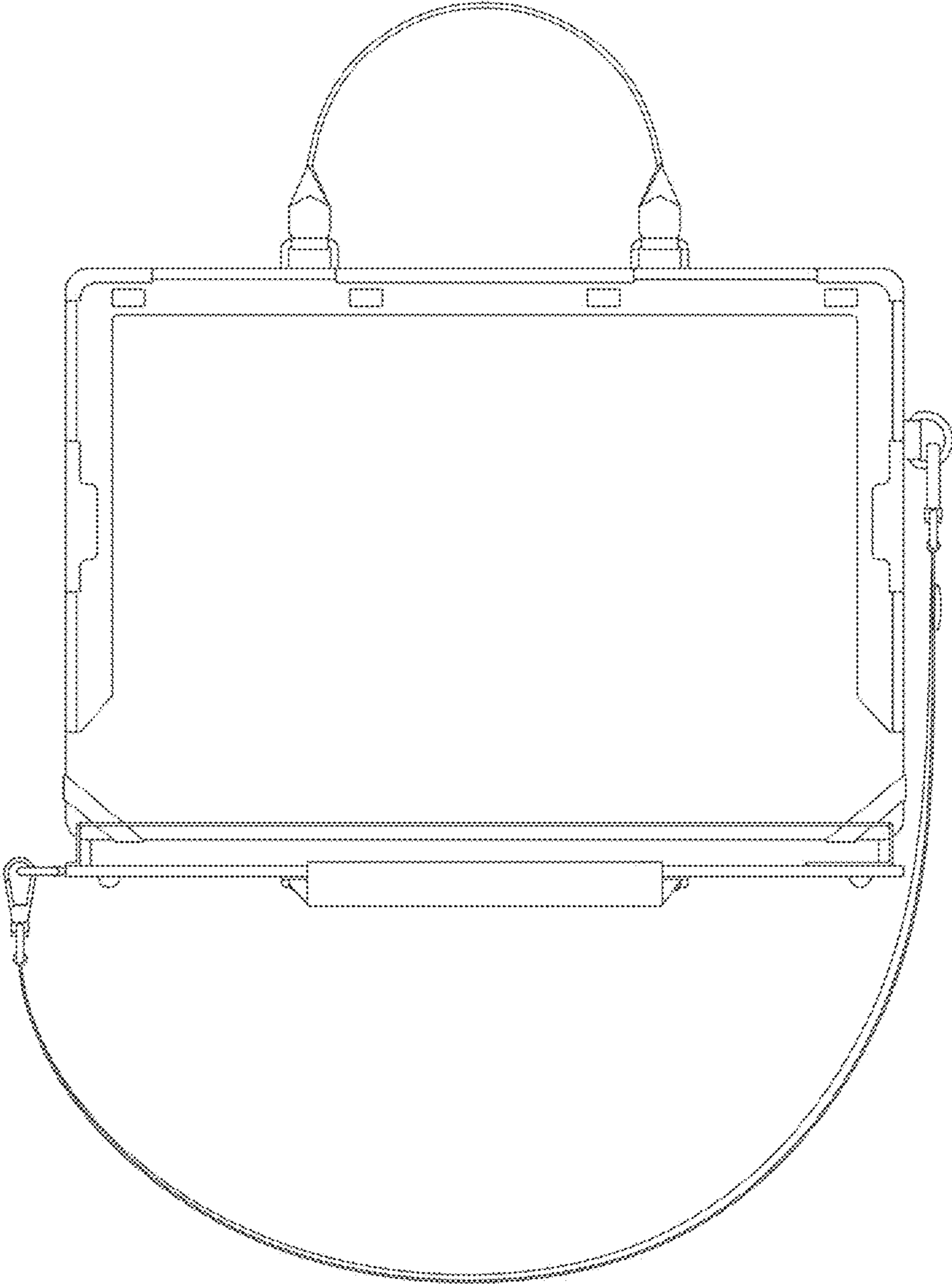


FIG.2

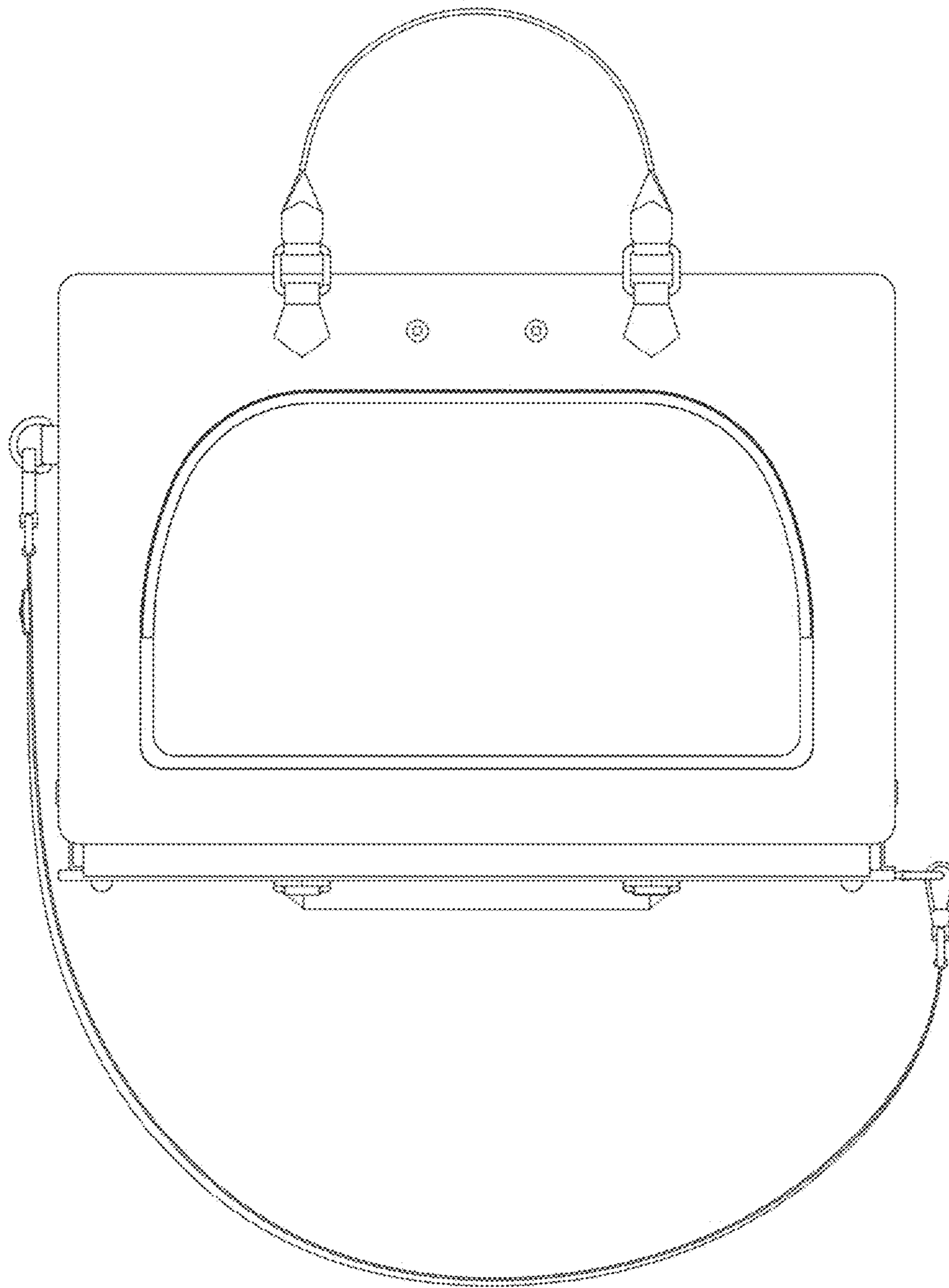


FIG. 3

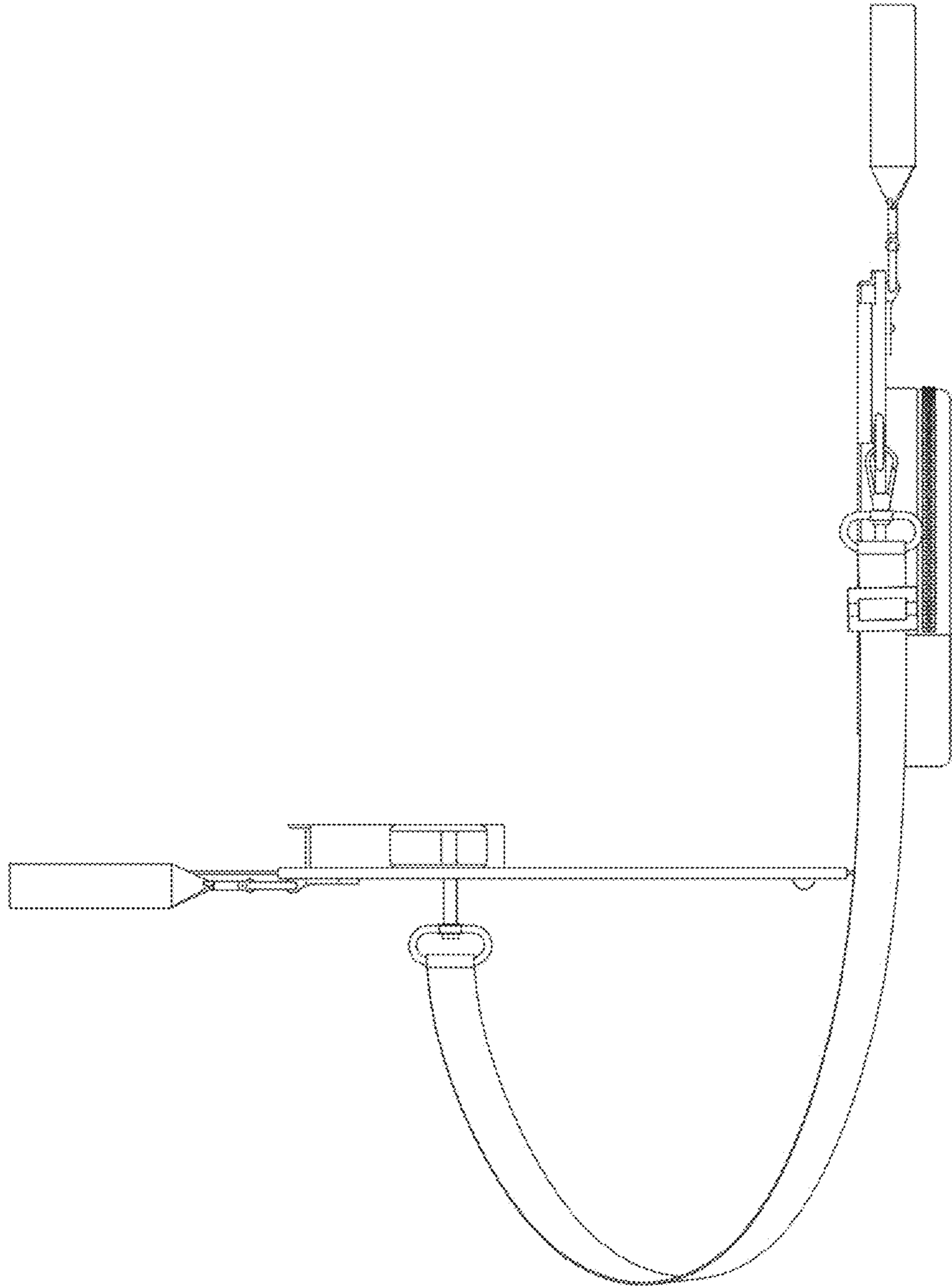


FIG.4

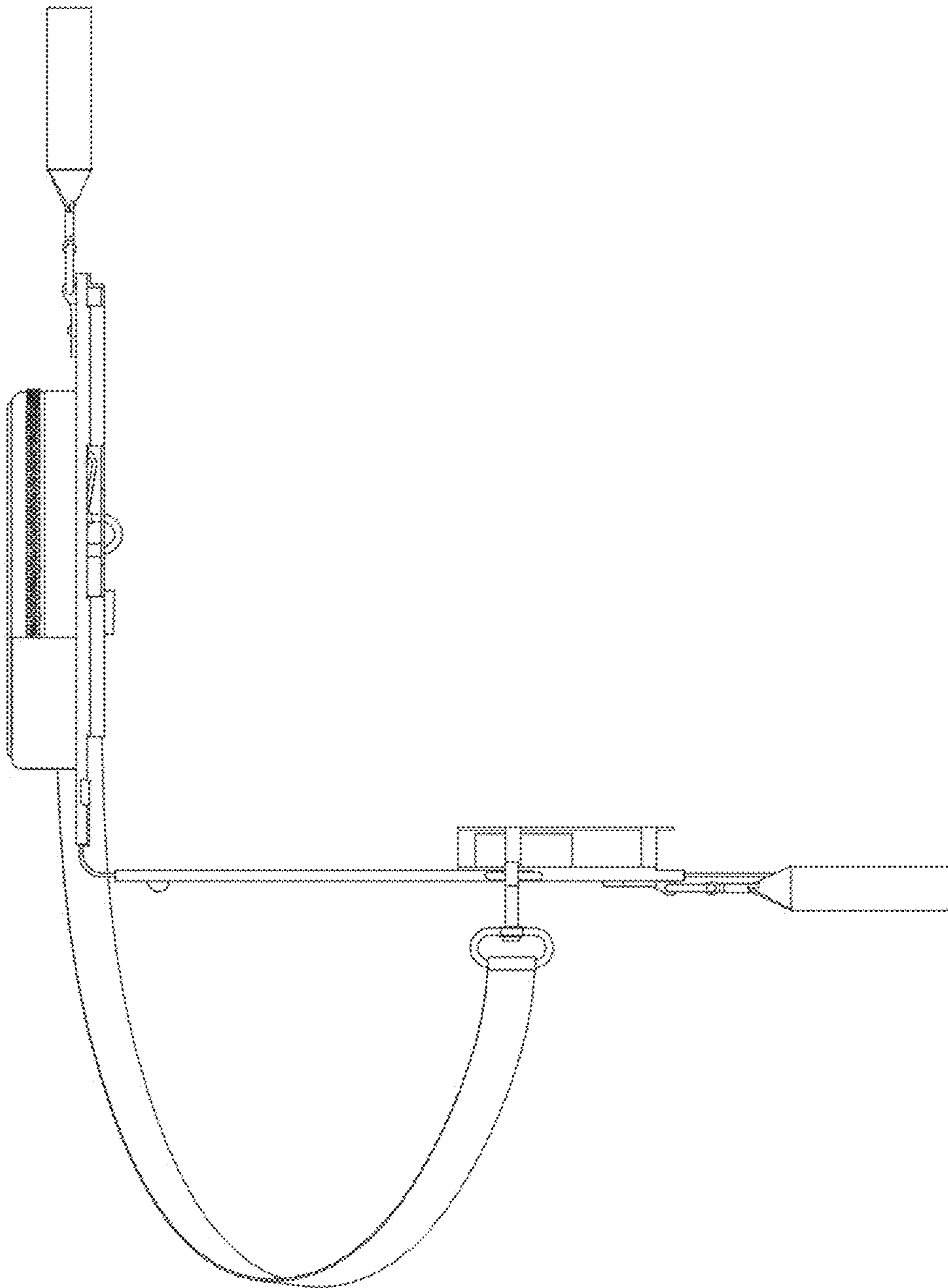


FIG.5

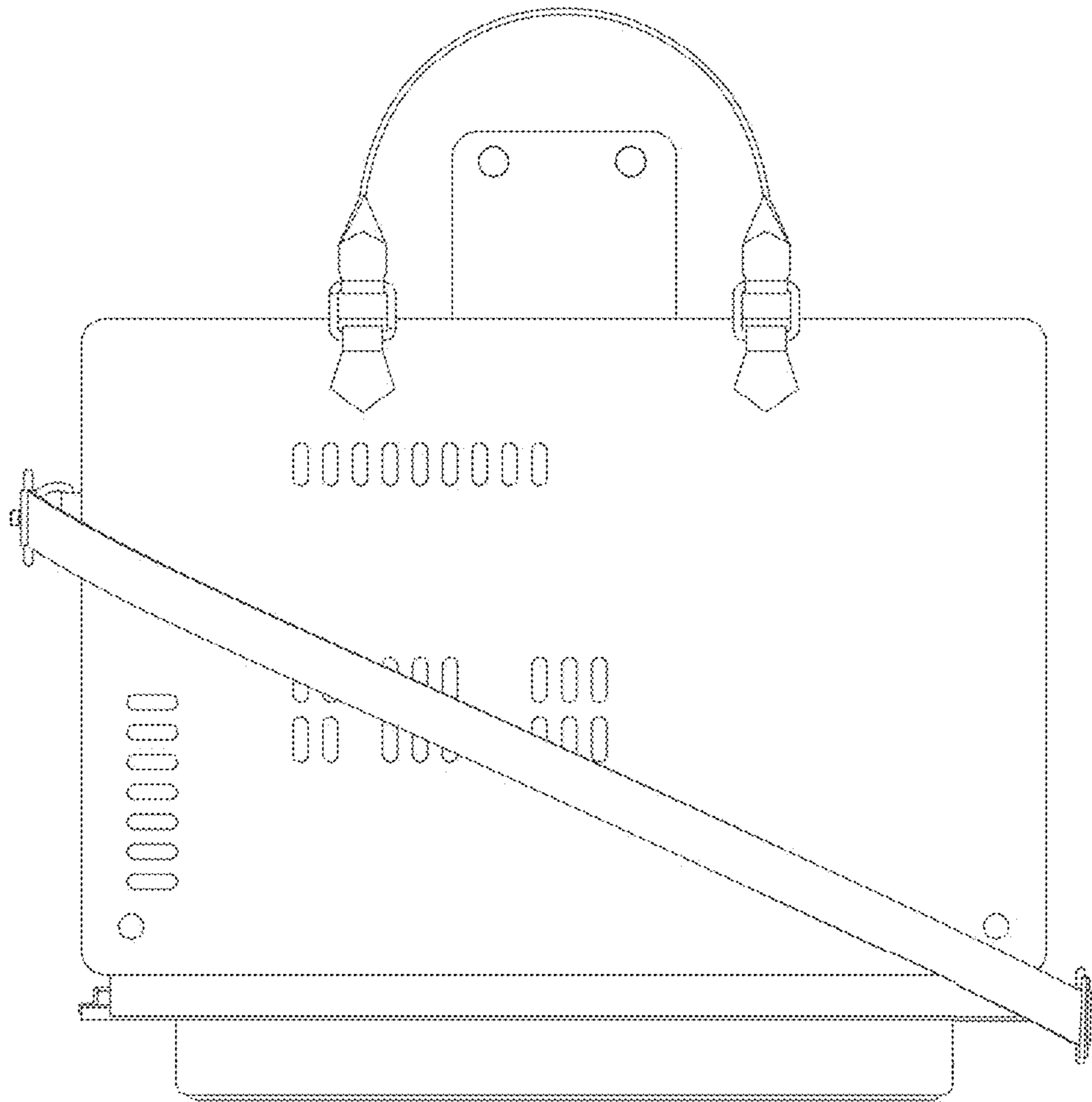


FIG.6

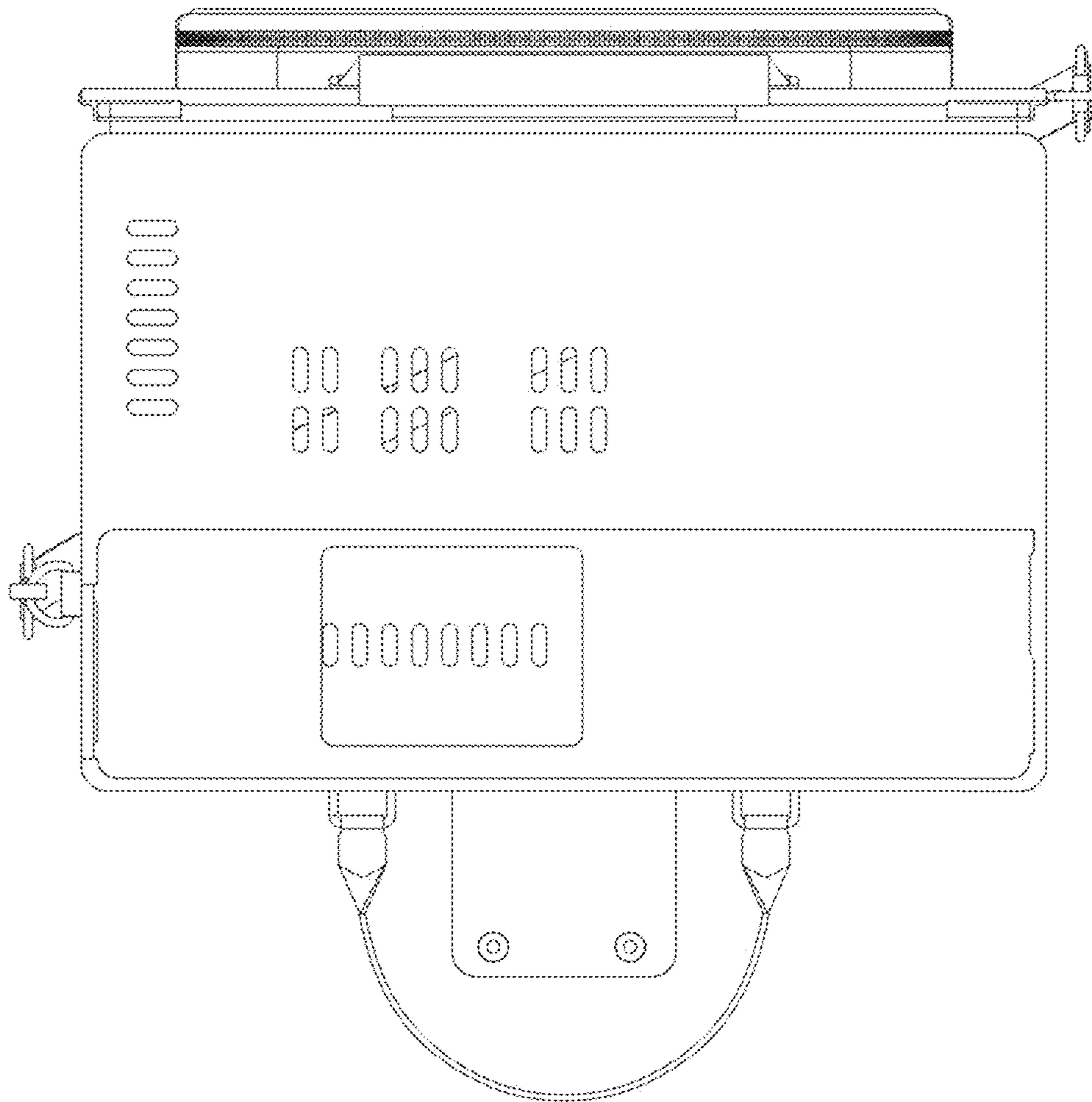


FIG.7