



US00D882260S

(12) **United States Design Patent** (10) **Patent No.:** **US D882,260 S**  
**Munoz** (45) **Date of Patent:** **\*\* \*Apr. 28, 2020**

- (54) **LUGGAGE**
- (71) Applicant: **Alfredo Munoz**, Jersey City, NJ (US)
- (72) Inventor: **Alfredo Munoz**, Jersey City, NJ (US)
- (\*) Notice: This patent is subject to a terminal disclaimer.
- (\*\*) Term: **15 Years**
- (21) Appl. No.: **29/607,113**
- (22) Filed: **Jun. 9, 2017**

- D454,430 S 3/2002 Sijmons
- D460,258 S 7/2002 Roncato
- D462,169 S 9/2002 Giovanni
- D465,085 S \* 11/2002 Chen ..... D3/279
- D476,153 S \* 6/2003 Sadr ..... D3/279
- 6,604,618 B1 \* 8/2003 Godshaw ..... A45C 3/02  
190/1
- 7,044,277 B2 \* 5/2006 Redzisz ..... A45C 7/0077  
190/107
- 7,416,066 B2 8/2008 Chernoff  
(Continued)

*Primary Examiner* — Jennifer Rivard  
*Assistant Examiner* — April Rivas

(57) **CLAIM**

The ornamental design for luggage, as shown and described.

**DESCRIPTION**

FIG. 1 is a perspective view from the front and left side of the luggage showing my new design;  
 FIG. 2 is an elevational view of the front of the present invention;  
 FIG. 3 is an elevational view of the back of the present invention;  
 FIG. 4 is an elevational view of the left side of the present invention;  
 FIG. 5 is an elevational view of the right side of the present invention;  
 FIG. 6 is a plan view of the top of the present invention;  
 FIG. 7 is a plan view of the bottom of the present invention;  
 FIG. 8 is a perspective view from the front and the right side of the present invention; and,  
 FIG. 9 is a perspective view of the present invention in a state of use, showing it in an opened configuration with a garment bag and other clothes placed inside the luggage. The broken lines in FIG. 9 illustrating the garment bag and clothing represent environment. The remaining broken lines illustrate portions of the luggage. All of the broken lines form no part of the claimed design.

**1 Claim, 7 Drawing Sheets**

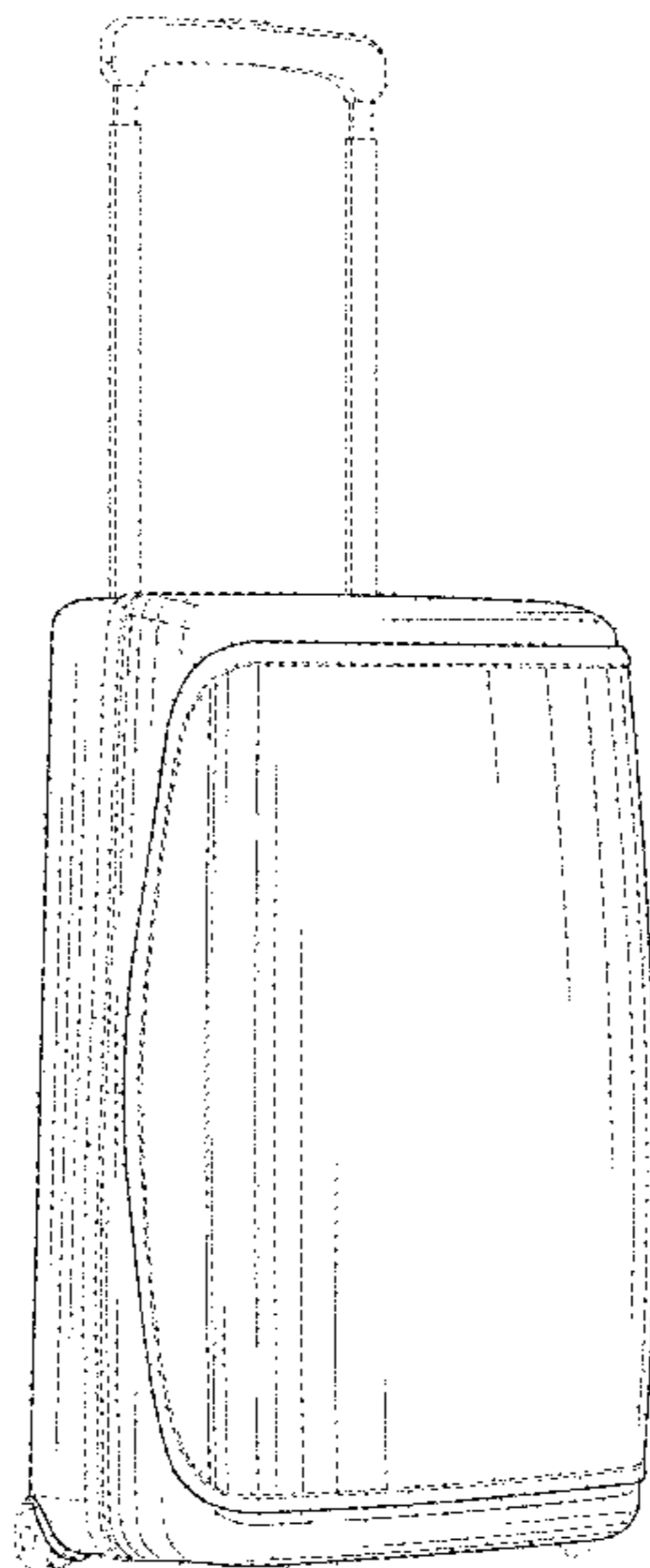
**Related U.S. Application Data**

- (63) Continuation-in-part of application No. 14/675,983, filed on Apr. 1, 2015, now Pat. No. 9,648,933, which is a continuation-in-part of application No. 15/454,255, filed on Mar. 9, 2017.
- (51) **LOC (12) Cl.** ..... **03-01**
- (52) **U.S. Cl.**  
USPC ..... **D3/279; D3/276**
- (58) **Field of Classification Search**  
USPC ..... D3/272, 273, 276, 279, 281, 282, 285,  
D3/287, 289, 321, 902  
CPC ..... A45C 3/00; A45C 3/004; A45C 2003/008;  
A45C 5/00; A45C 5/03; A45C 2005/032;  
A45C 2005/037; A45C 5/04; A45C 13/03  
See application file for complete search history.

**References Cited**

**U.S. PATENT DOCUMENTS**

- 2,362,807 A 11/1943 Dresner
- 2,661,570 A 12/1953 Corley
- 4,081,061 A 3/1978 Tucker
- 4,170,282 A 10/1979 Chwartzstein
- 4,890,873 A 1/1990 Prada et al.
- D367,359 S \* 2/1996 Smith ..... D3/273
- 5,547,052 A 8/1996 Latshaw



(56)

**References Cited**

U.S. PATENT DOCUMENTS

7,604,102	B2	10/2009	Albritton	
D644,434	S *	9/2011	Miles .....	D3/279
D666,414	S *	9/2012	Giovannoni .....	D3/279
D720,533	S *	1/2015	Kao .....	D3/274
D720,928	S	1/2015	Roncato	
D731,181	S *	6/2015	Majeau .....	D3/279
D778,049	S *	2/2017	Kogelnik .....	D3/274
D782,193	S *	3/2017	Jose .....	D3/279
9,648,933	B2	5/2017	Munoz	
2004/0007433	A1 *	1/2004	Godshaw .....	A45C 7/0054 190/18 A
2008/0283350	A1 *	11/2008	Vorderkunz .....	A45C 13/03 190/115
2013/0264162	A1	10/2013	Kogelnik	
2014/0360831	A1 *	12/2014	Kao .....	A45C 3/004 190/108
2015/0027834	A1	1/2015	Kogelnik	
2015/0144237	A1	5/2015	Salibri	
2017/0020250	A1 *	1/2017	Boschan .....	A45C 5/06
2017/0119121	A1	5/2017	Munoz	

\* cited by examiner

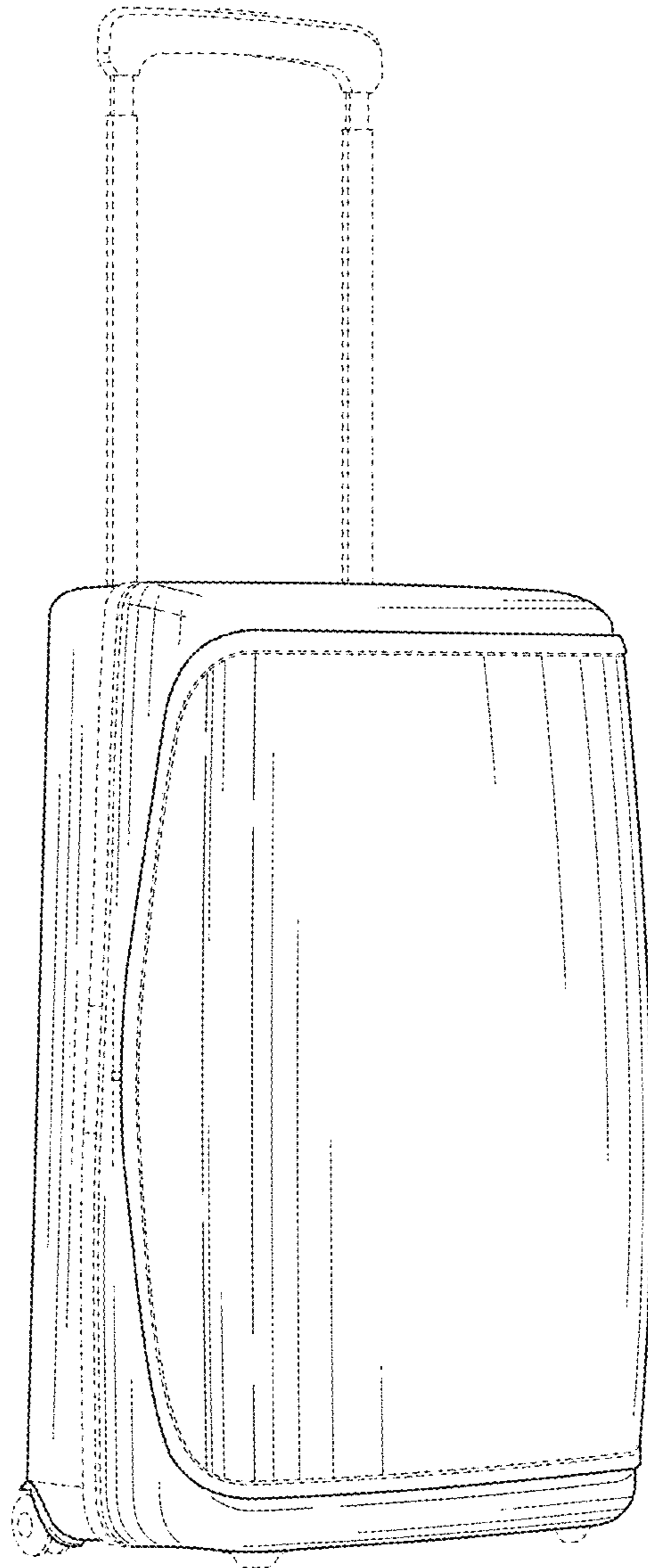


FIG. 1

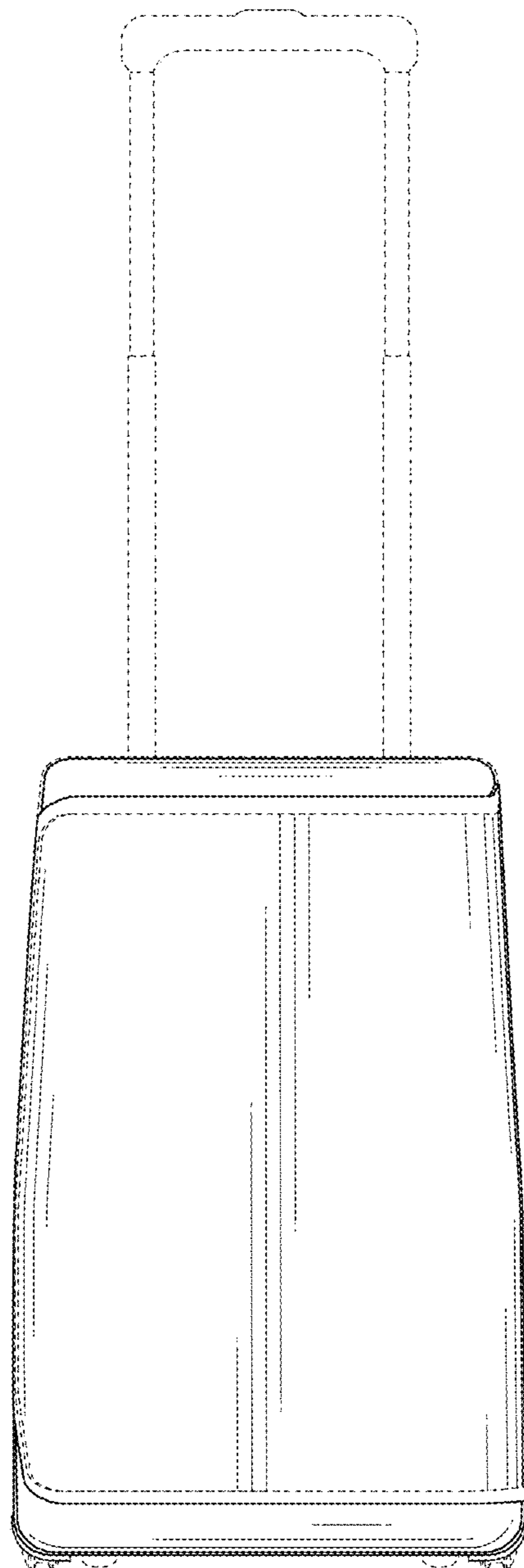


FIG. 2

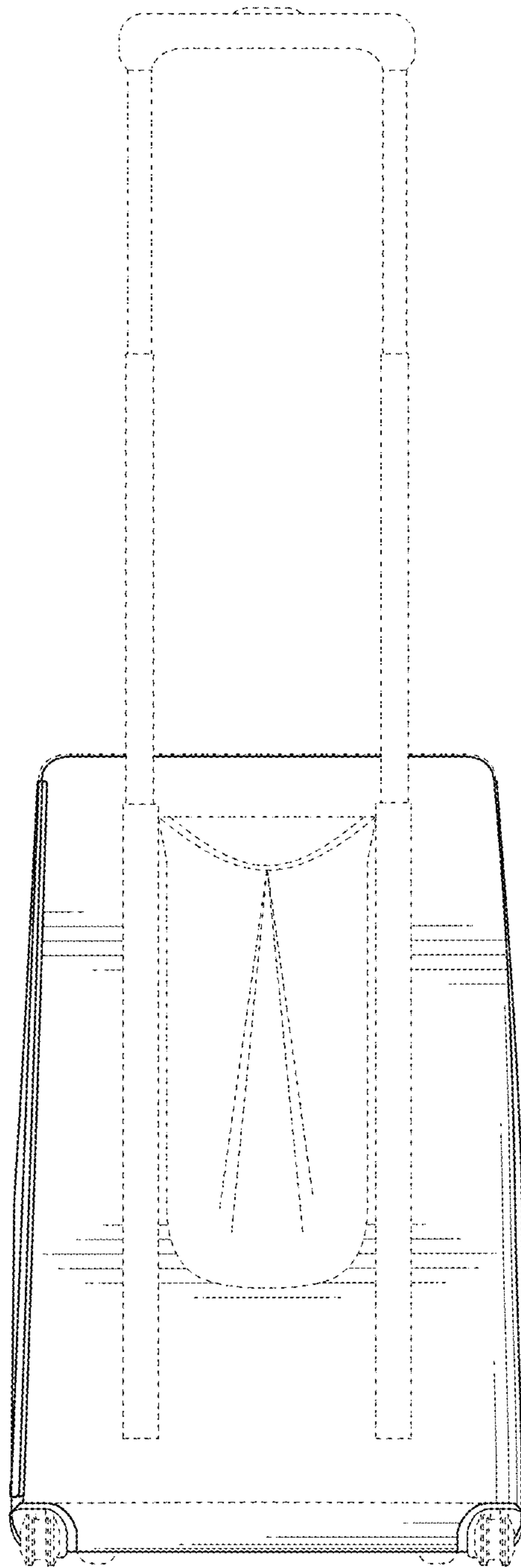


FIG. 3

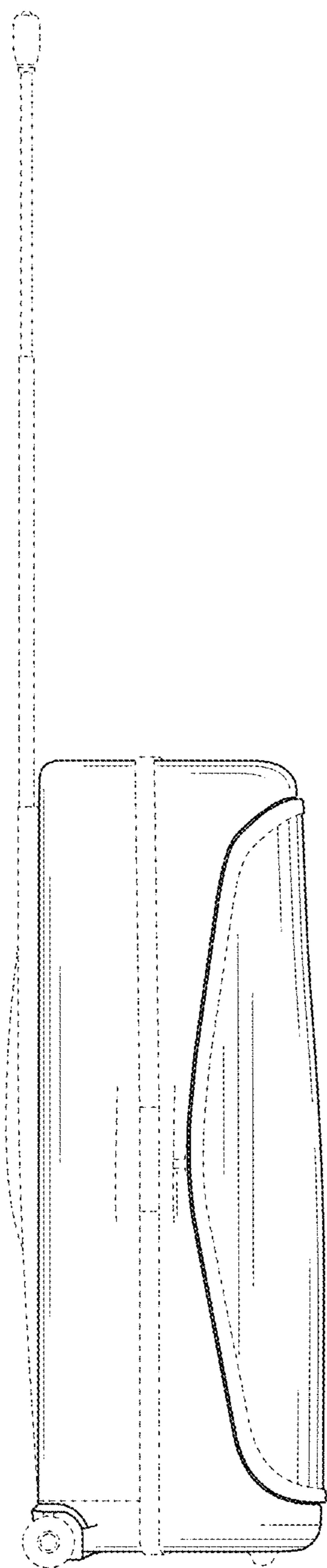


FIG. 4

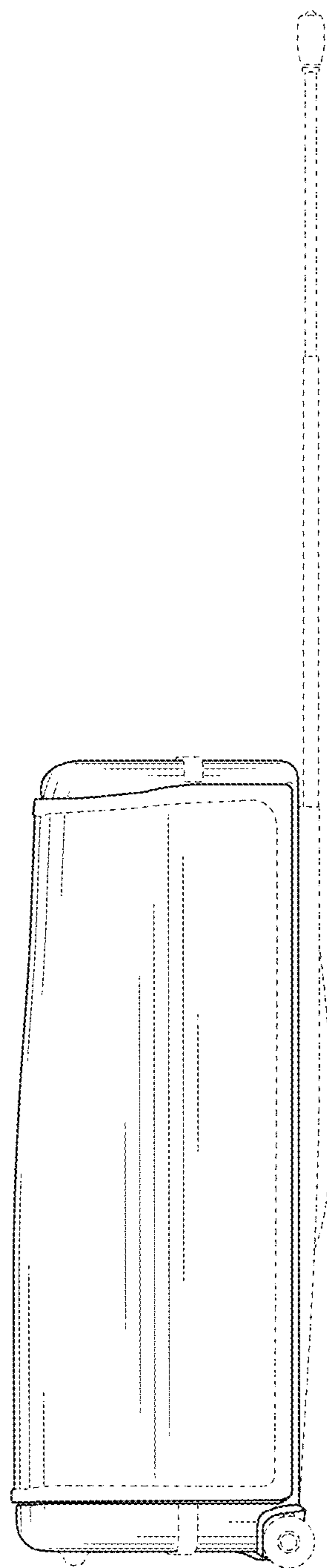


FIG. 5

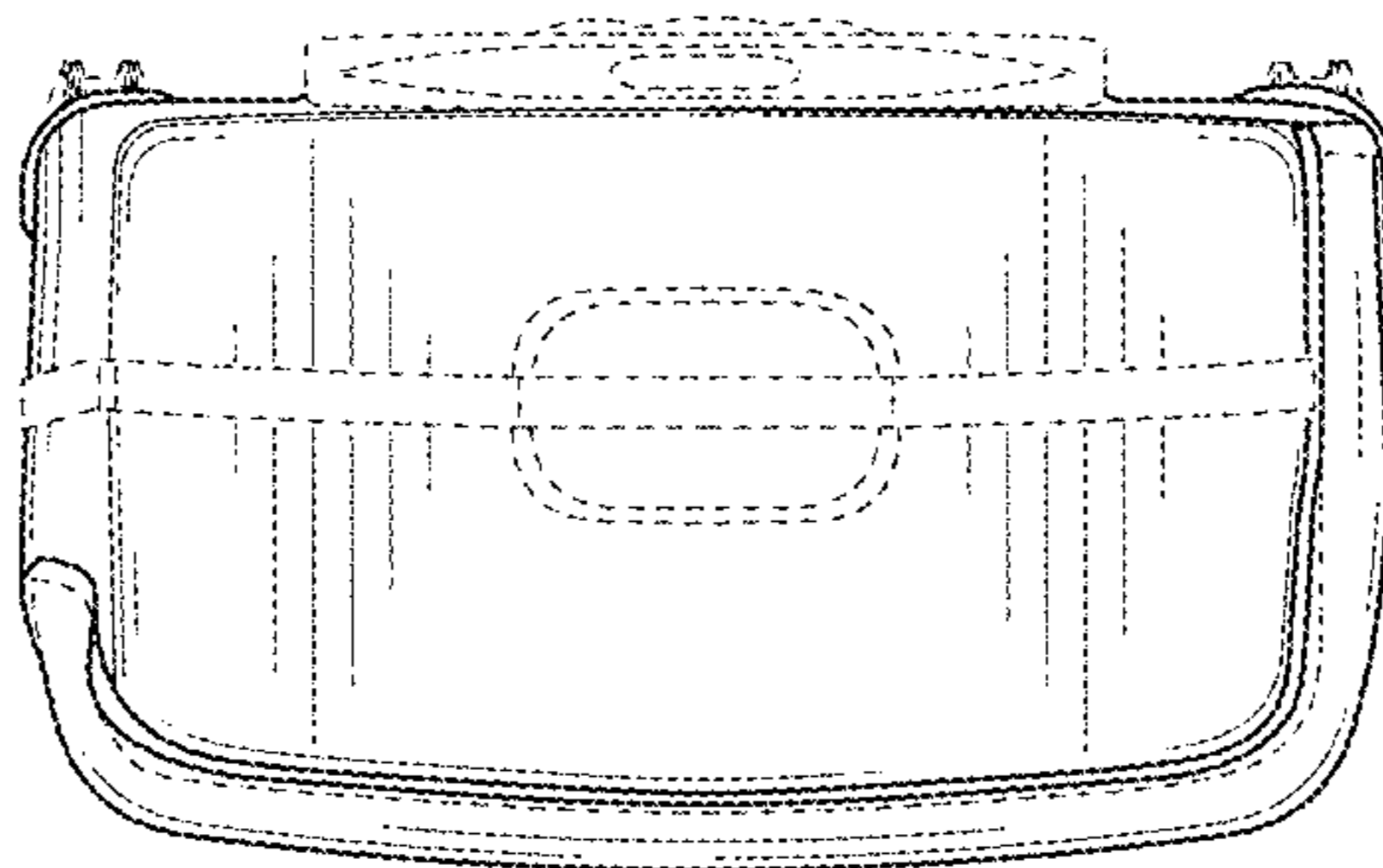


FIG. 6

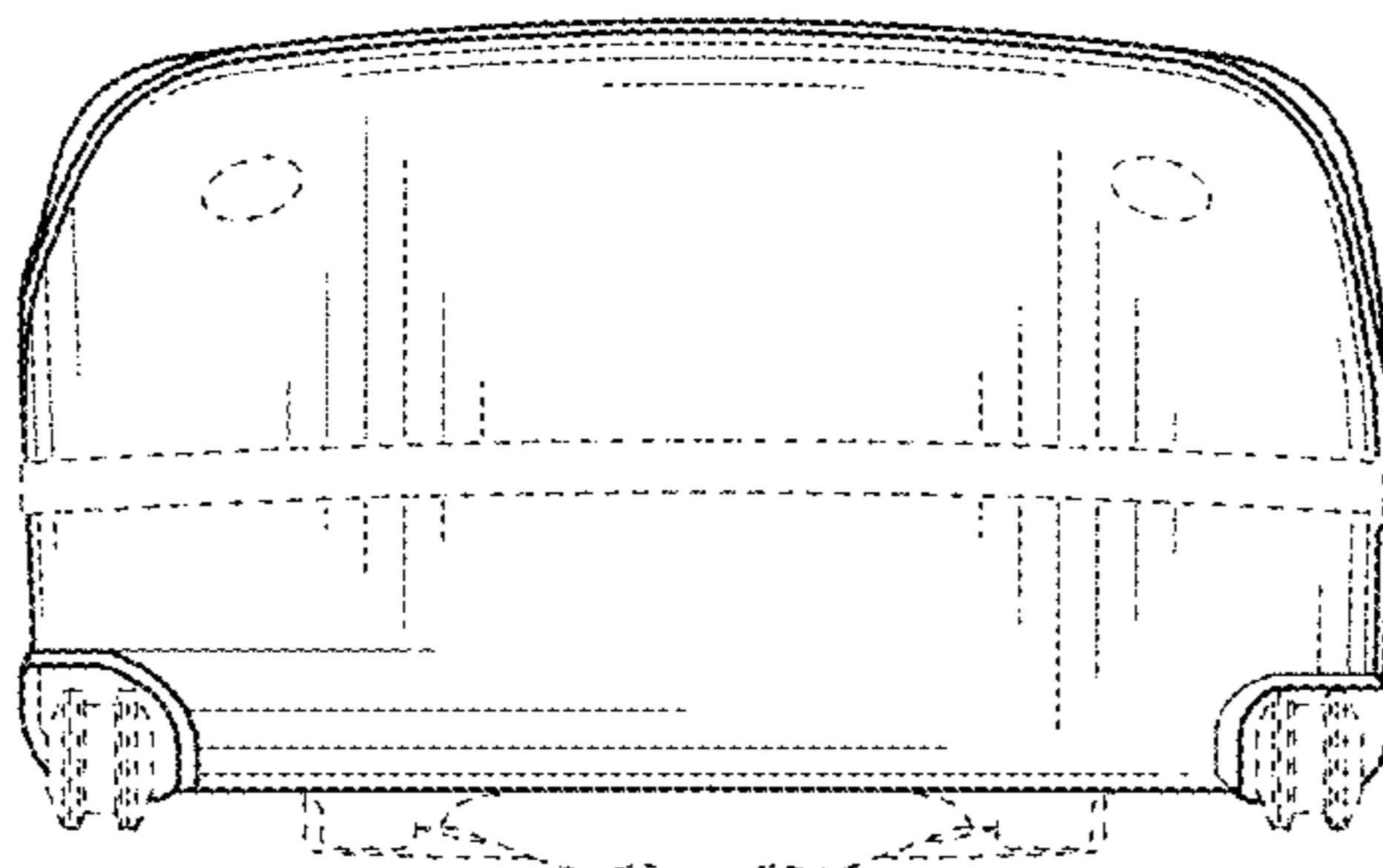


FIG. 7

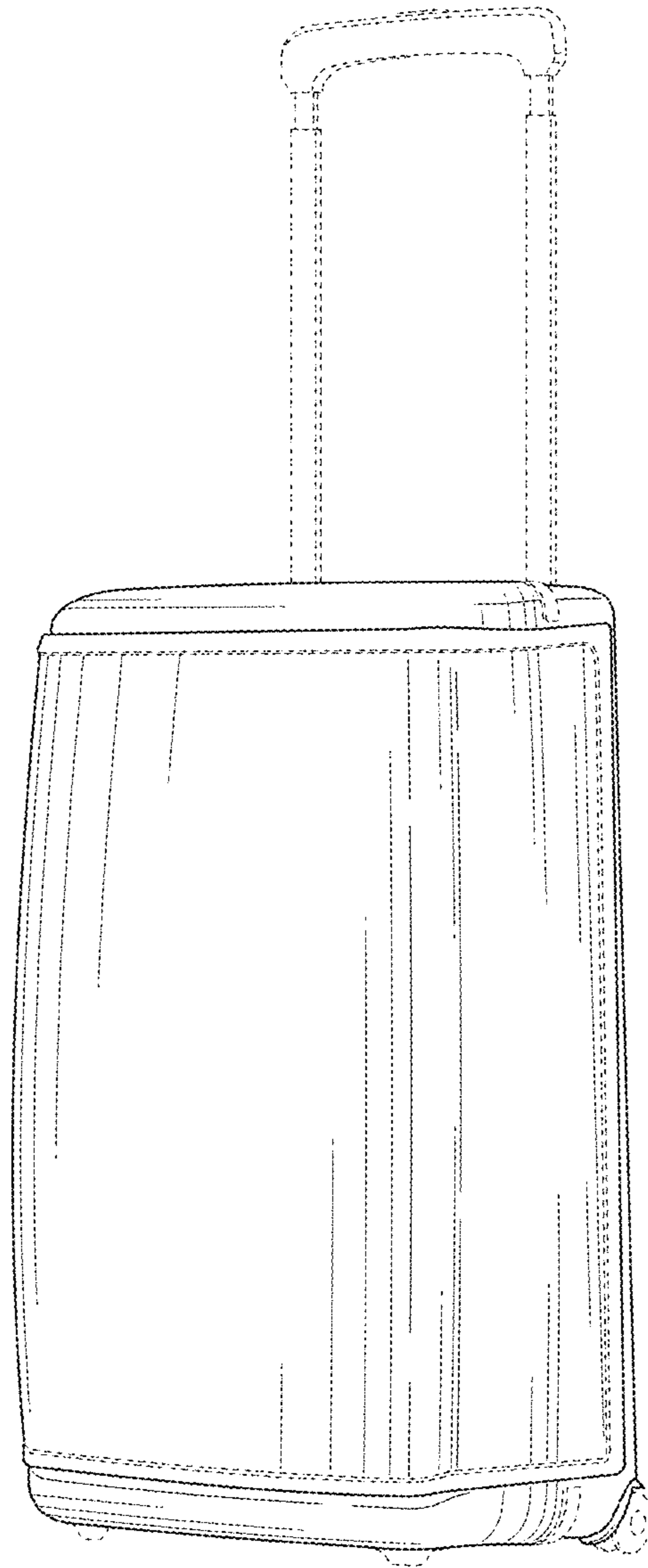


FIG. 8



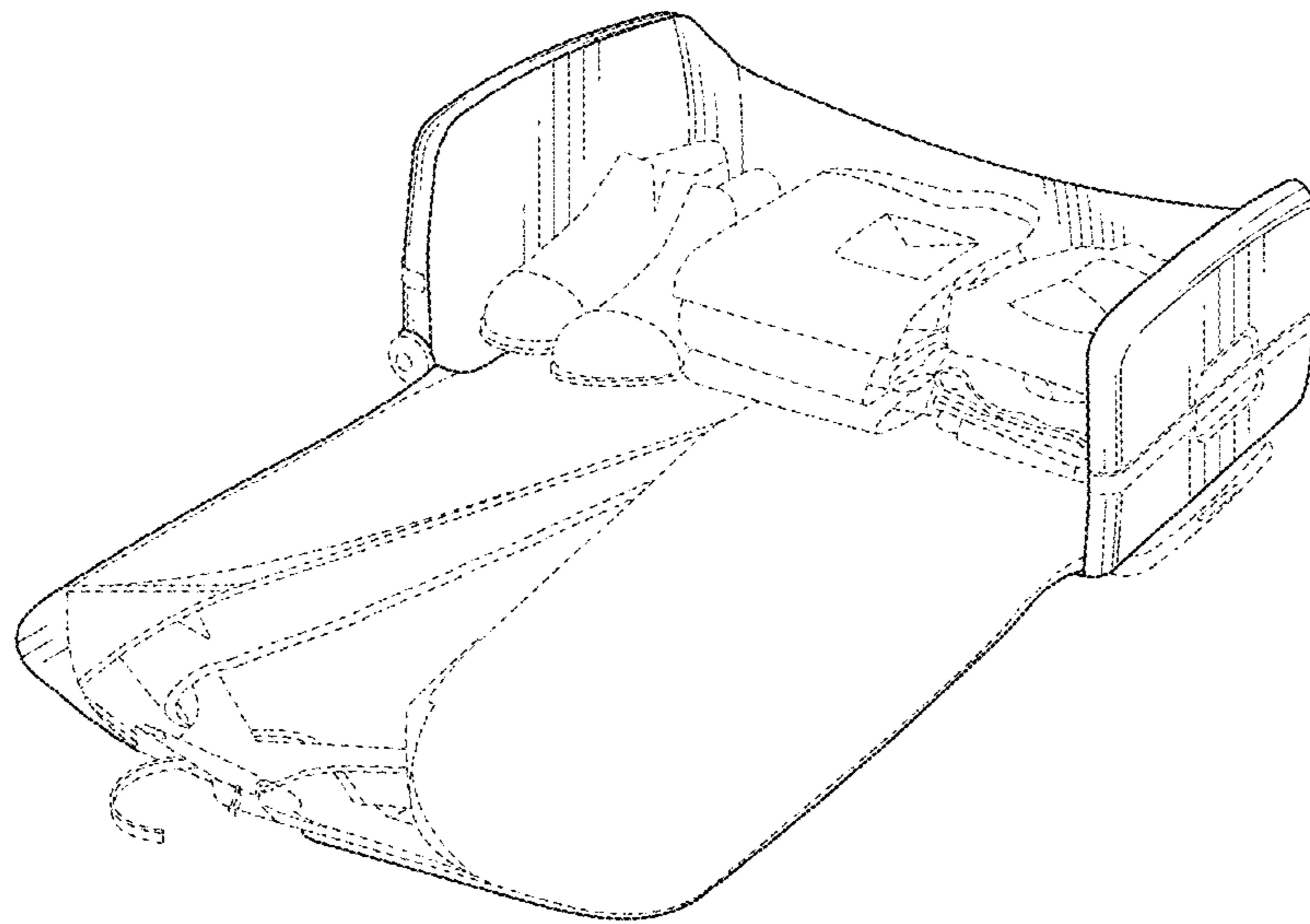


FIG. 9