



US00D882258S

(12) **United States Design Patent**
Hsu

(10) **Patent No.:** **US D882,258 S**
(45) **Date of Patent:** **** Apr. 28, 2020**

(54) **EYEGLASS CASE**

(71) Applicant: **Roger Wen Yi Hsu**, Ontario, CA (US)

(72) Inventor: **Roger Wen Yi Hsu**, Ontario, CA (US)

(**) Term: **15 Years**

(21) Appl. No.: **29/663,909**

(22) Filed: **Sep. 19, 2018**

(51) **LOC (12) Cl.** **03-01**

(52) **U.S. Cl.**
USPC **D3/265**

(58) **Field of Classification Search**

USPC D3/207, 215, 219, 229, 263–268, 301,
D3/211, 270, 271.1; D12/417; D16/330,
D16/339; 24/3.3, 3.7, 3.8, 563; 206/5,
206/5.1, 6; 248/902; 351/112, 155
CPC A45C 11/04; A45C 11/005; A47F 7/02;
A47F 7/021

See application file for complete search history.

(56) **References Cited**

U.S. PATENT DOCUMENTS

D115,805 S * 7/1939 Wright D3/301
D365,443 S * 12/1995 Wu D3/226
D407,556 S * 4/1999 Au D3/265
D414,603 S * 10/1999 Burchett D3/219
D451,674 S * 12/2001 Leins D3/206
D459,880 S * 7/2002 Tung D3/271.9
D462,166 S * 9/2002 Chan D12/417
6,564,432 B1 * 5/2003 Kushner A44B 99/00
24/163 K
D481,252 S * 10/2003 Fung D3/270
D482,268 S * 11/2003 Kushner D12/417
D482,924 S * 12/2003 Fung D3/270
D484,353 S * 12/2003 Tung D3/270

D509,356 S * 9/2005 Kushner D3/219
D557,499 S * 12/2007 Friedman D3/271.9
D578,152 S * 10/2008 Oas D16/330
D582,158 S * 12/2008 Nathanson D21/385
D596,241 S * 7/2009 Nathanson D21/392
D688,041 S * 8/2013 Kroupa D3/264
D712,144 S * 9/2014 Albanese D3/301
D720,926 S * 1/2015 Kroupa A44B 99/00
D3/264
D794,536 S * 8/2017 Hissong A45C 11/04
D12/317
D797,447 S * 9/2017 Peng A45C 11/04
D3/271.9
2002/0197095 A1 * 12/2002 Chao A45C 11/04
401/195
2005/0195358 A1 * 9/2005 Lam A45C 11/04
351/47

* cited by examiner

Primary Examiner — T Chase Nelson

(74) *Attorney, Agent, or Firm* — Alexander Chen, Esq.;
Agnew International Patent & Trademark Law Firm

(57) **CLAIM**

The ornamental design for an eyeglass case, as shown and described.

DESCRIPTION

FIG. 1 is a front and bottom perspective view of the eyeglass case;

FIG. 2 is a rear view thereof;

FIG. 3 is a top view thereof;

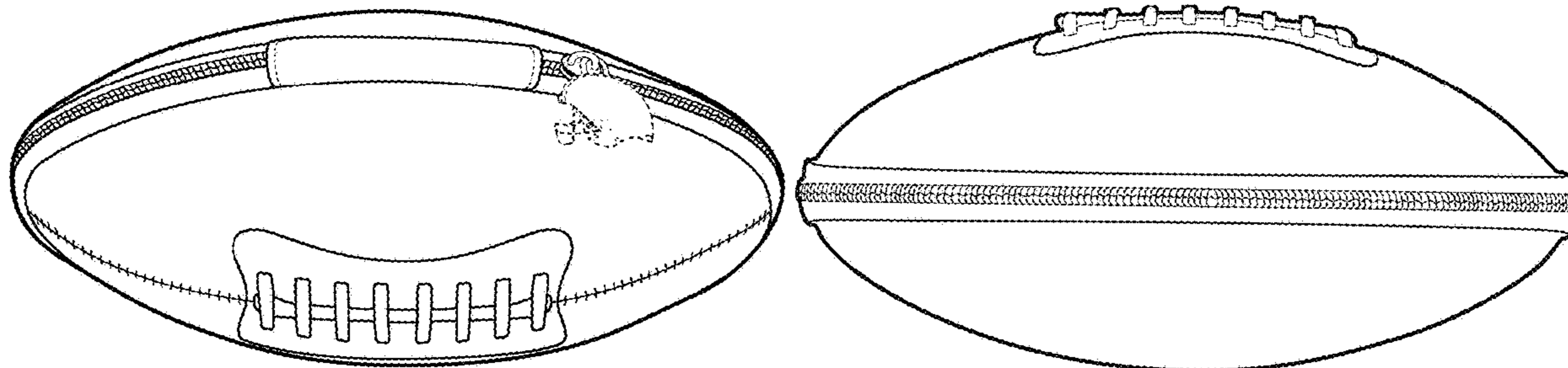
FIG. 4 is a right side view thereof;

FIG. 5 is a left side view thereof; and,

FIG. 6 is a bottom view thereof.

The broken lines are included to show environmental structure and form no part of the claimed design.

1 Claim, 6 Drawing Sheets



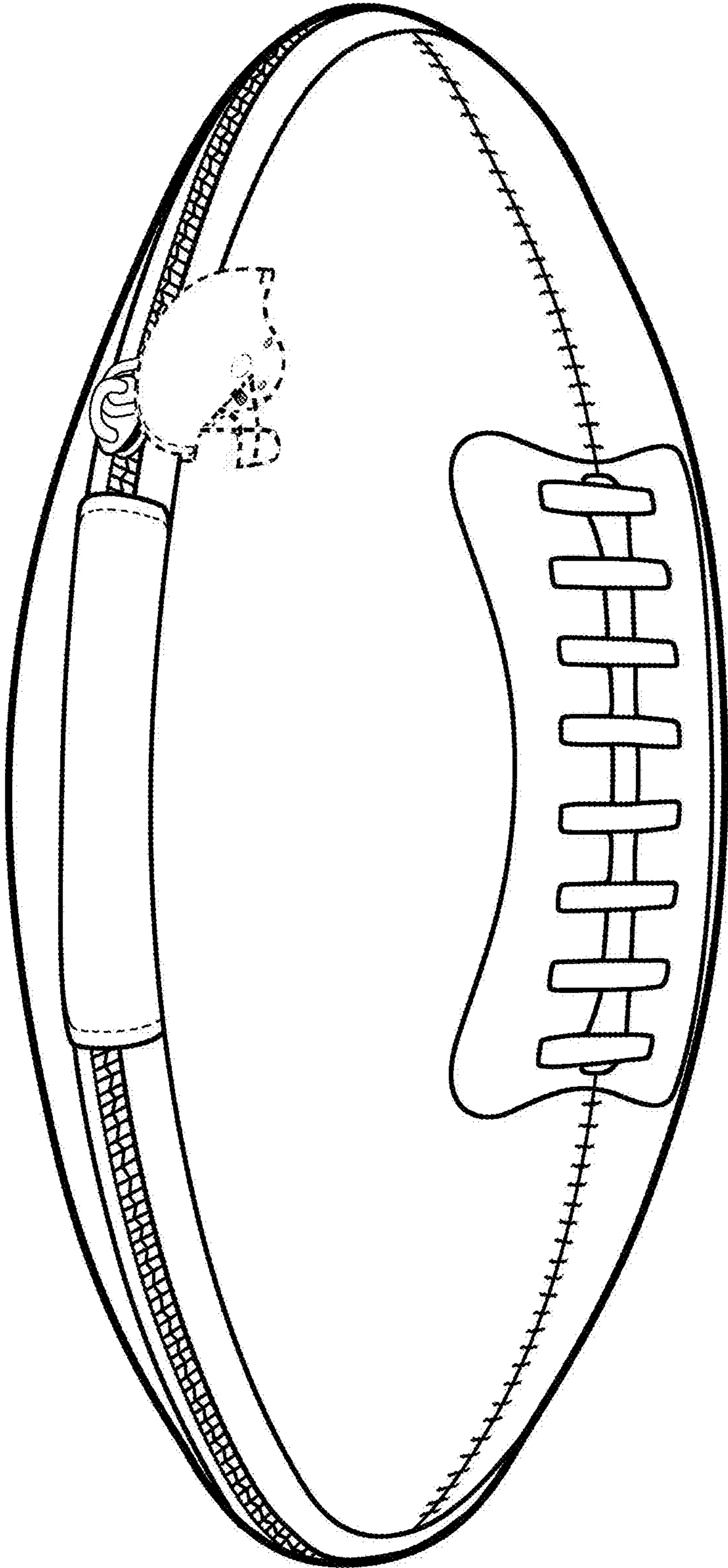


FIG. 1

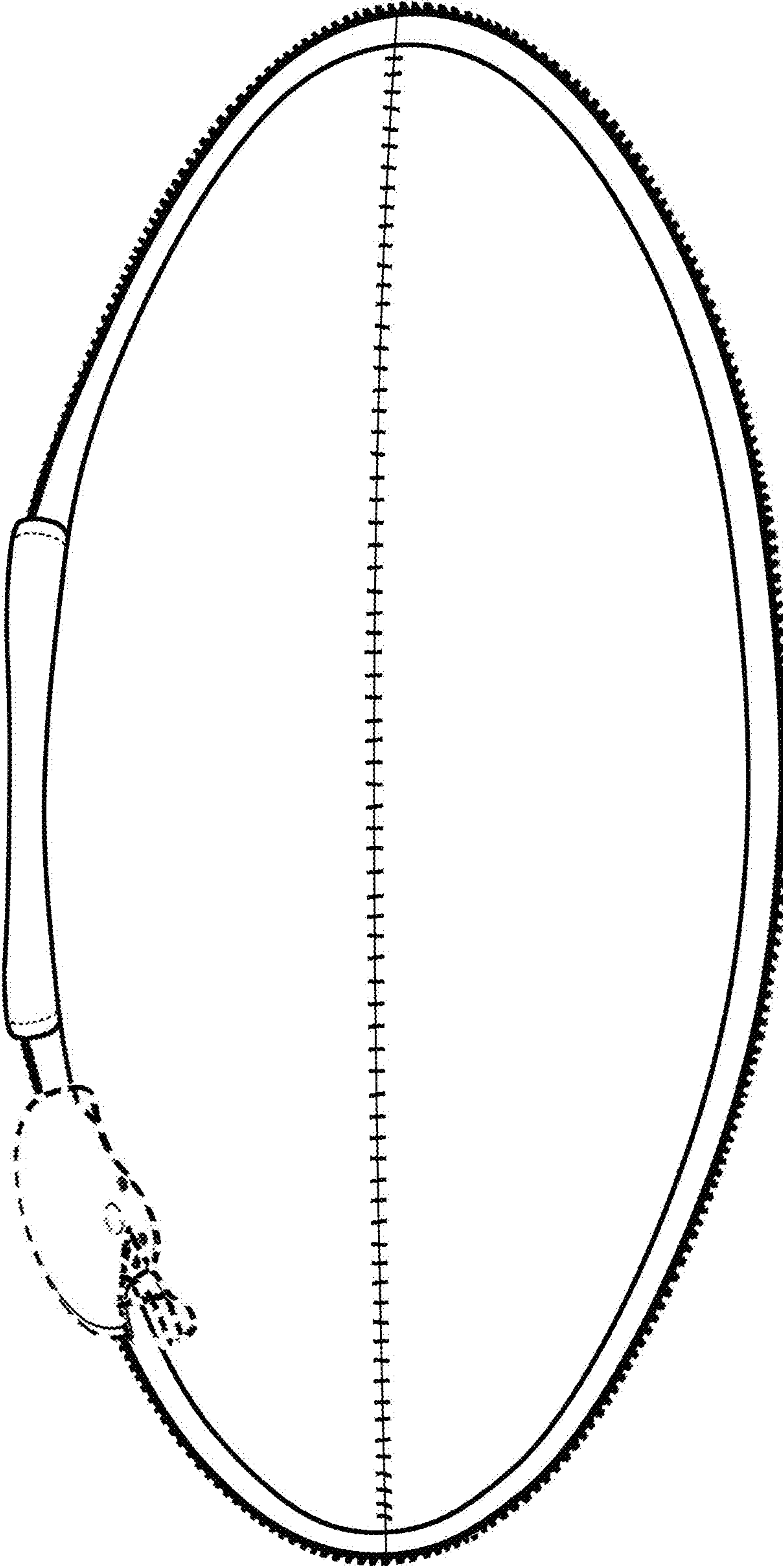


FIG. 2

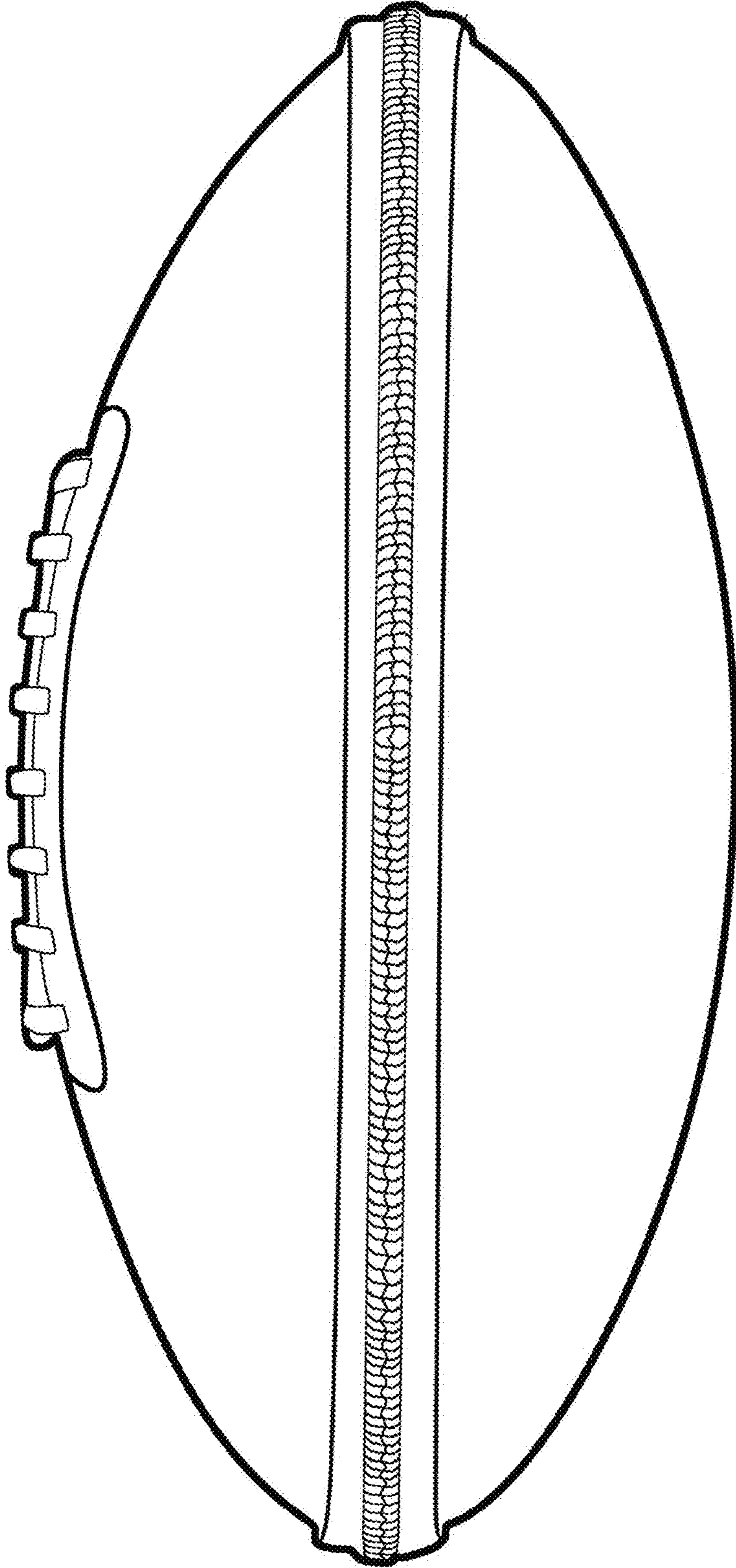


FIG. 3

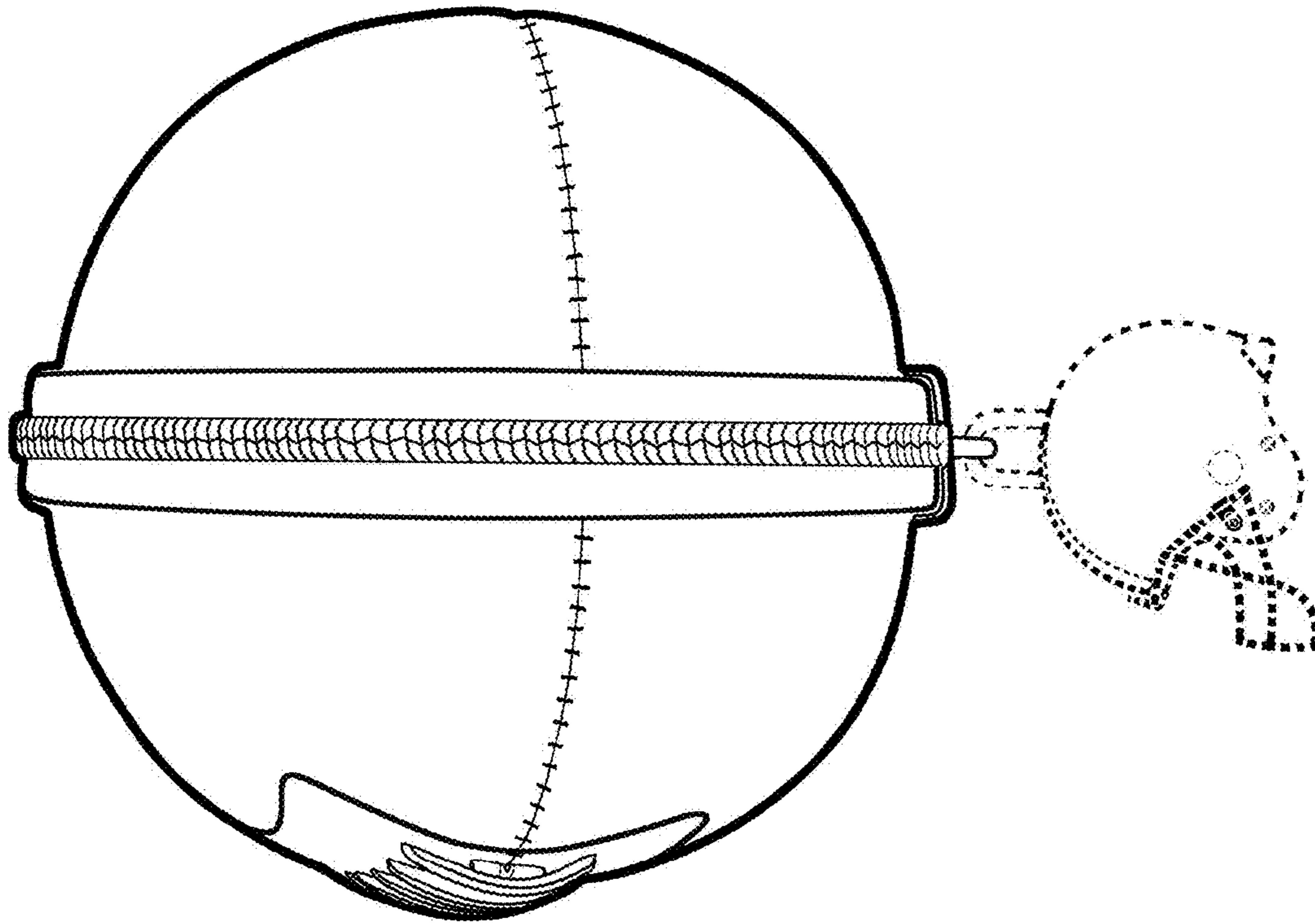


FIG. 4

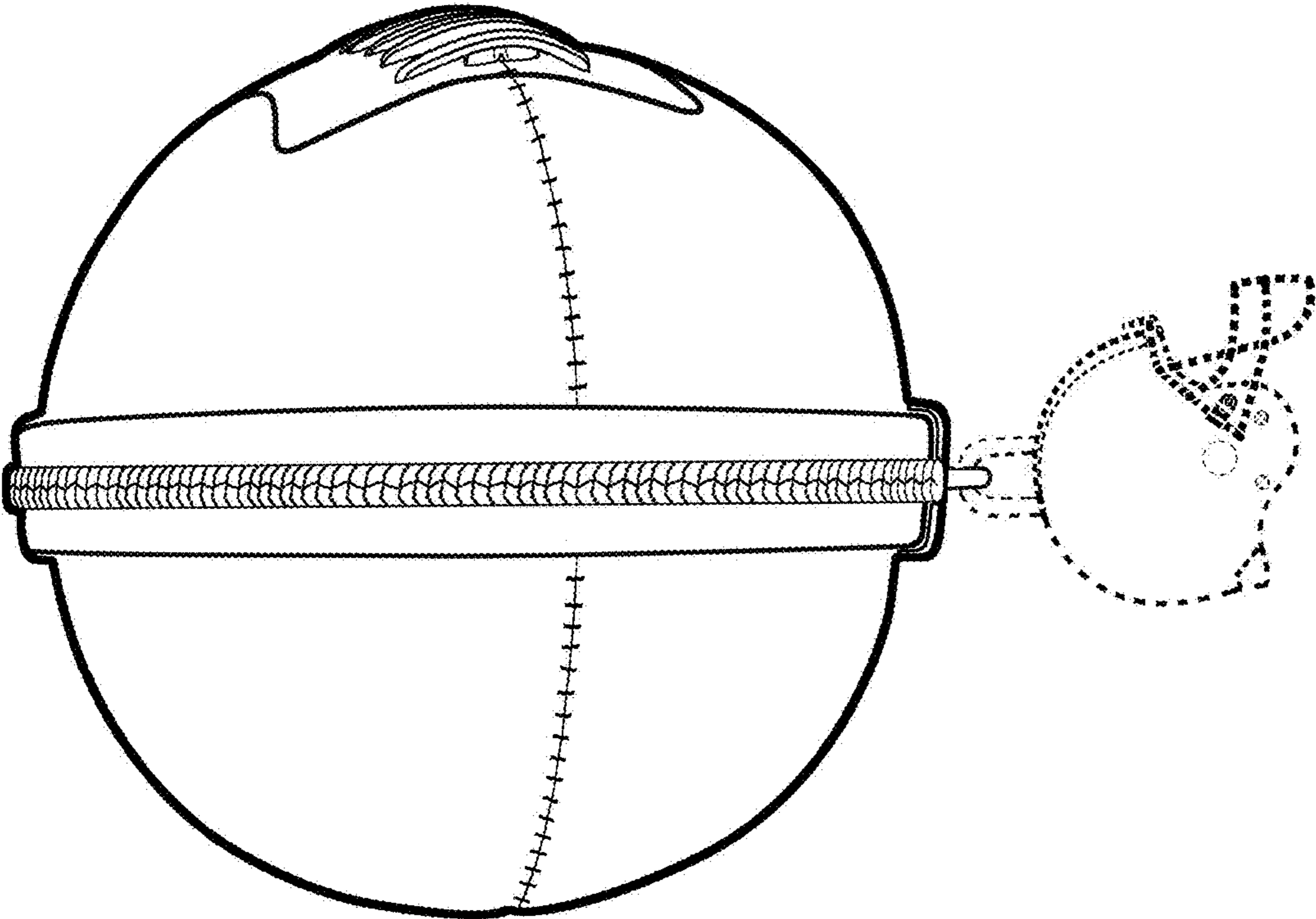


FIG. 5

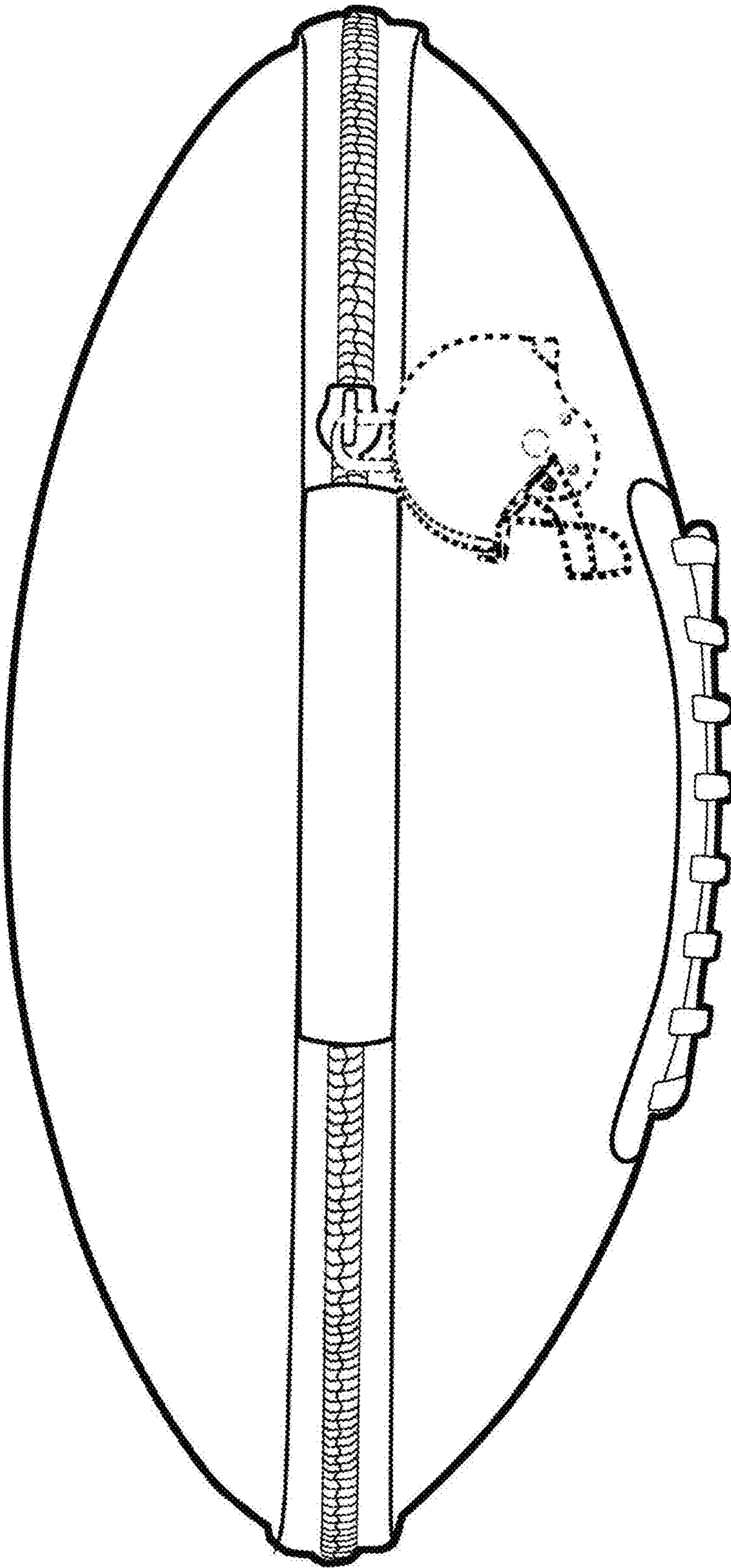


FIG. 6