



US00D882257S

(12) **United States Design Patent** (10) **Patent No.:** **US D882,257 S**  
**Sanz** (45) **Date of Patent:** **\*\* Apr. 28, 2020**

(54) **BAG**  
(71) Applicant: **TUMI, INC.**, Edison, NJ (US)  
(72) Inventor: **Victor G. Sanz**, Whitehouse Station, NJ (US)  
(73) Assignee: **TUMI, INC.**, Edison, NJ (US)  
(\*\*) Term: **15 Years**  
(21) Appl. No.: **29/608,574**  
(22) Filed: **Jun. 22, 2017**  
(51) **LOC (12) Cl.** ..... **03-01**  
(52) **U.S. Cl.**  
USPC ..... **D3/243**; D3/287; D3/290  
(58) **Field of Classification Search**  
USPC ..... D3/205, 216, 217, 243, 254, 273, 276, D3/277, 283, 287, 289, 290, 304, 306, D3/309, 900, 902, 904, 246; D7/605, D7/607  
CPC ..... A45C 3/001; A45C 2003/002; A45C 2003/008; A45C 5/005; A45C 11/20; A45F 4/02  
See application file for complete search history.

6,431,334 B1 8/2002 Lin et al.  
D464,197 S 10/2002 Kegels  
D468,101 S \* 1/2003 Hassett ..... D3/283  
6,581,736 B1 6/2003 Scicluna  
D481,204 S 10/2003 Rada  
D498,924 S \* 11/2004 Karl ..... D3/287  
D505,012 S 5/2005 Godshaw et al.  
D506,609 S 6/2005 Hillman  
D518,956 S 4/2006 Van Himbeeck  
D524,050 S 7/2006 Suppancig  
D534,353 S 1/2007 Hsieh  
D548,963 S 8/2007 Aliberti et al.  
D552,350 S 10/2007 Bosley  
D588,809 S 3/2009 Shor et al.

(Continued)

**OTHER PUBLICATIONS**

Amazon, "Tumi Alpha Slim Messenger Shoulder Bag, Black, One Size", First question asked Dec. 5, 2017. (<https://www.amazon.com/Tumi-Alpha-Messenger-Shoulder-Black/dp/B01N7R514C>) (Year: 2017).\*

(Continued)

*Primary Examiner* — April Rivas  
(74) *Attorney, Agent, or Firm* — Lando & Anastasi, LLP

(57) **CLAIM**

The ornamental design for a bag, as shown and described.

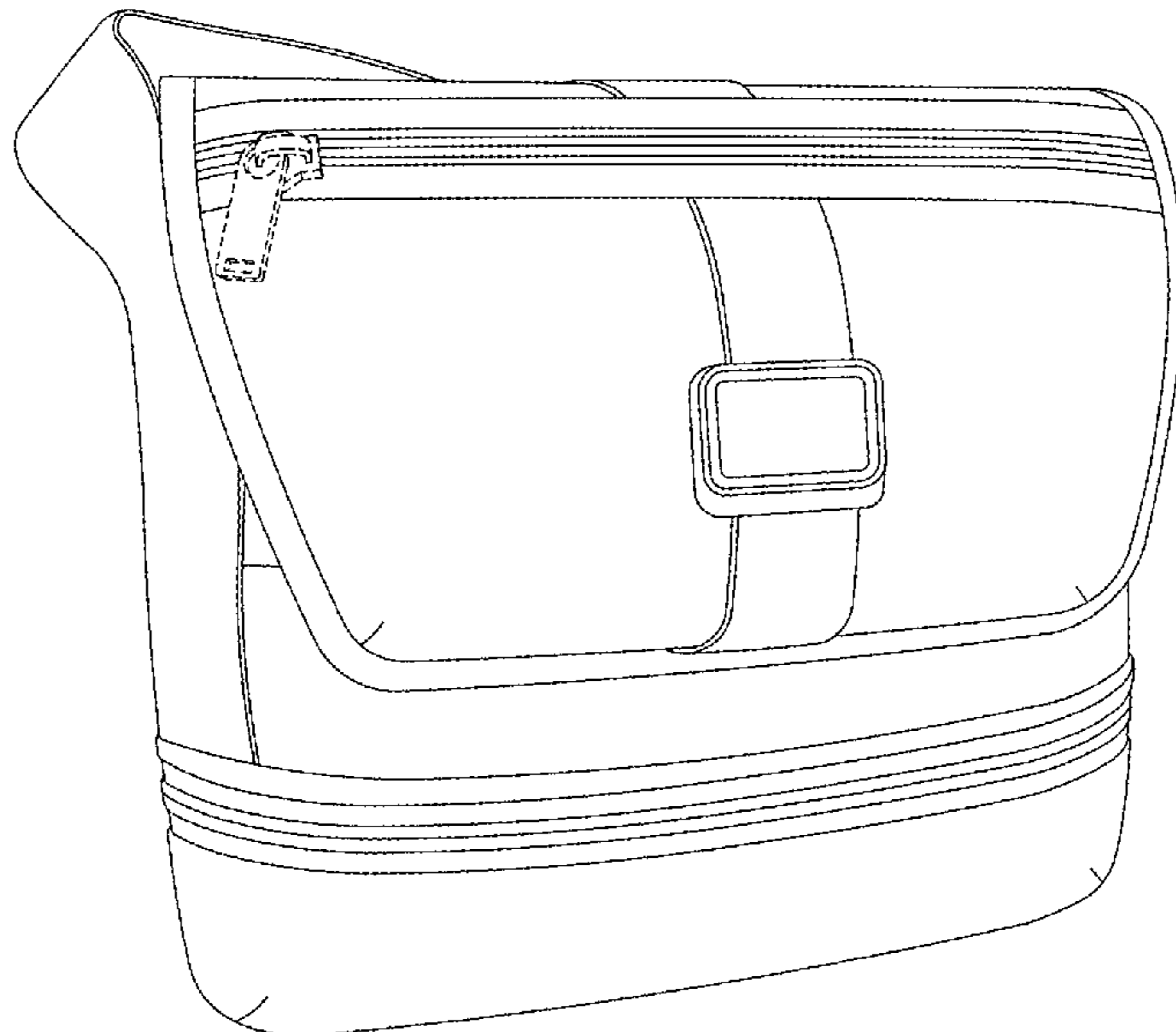
**DESCRIPTION**

FIG. 1 is a front perspective view of a bag;  
FIG. 2 is a front view of a bag;  
FIG. 3 is a rear view of a bag;  
FIG. 4 is a left side view of a bag;  
FIG. 5 is a right side view of a bag;  
FIG. 6 is a top view of a bag; and,  
FIG. 7 is a bottom view of a bag.  
The broken lines illustrate portions of the bag and form no part of the claimed design.

**1 Claim, 7 Drawing Sheets**

(56) **References Cited**  
U.S. PATENT DOCUMENTS

D269,741 S 7/1983 Stark  
D275,821 S 10/1984 Iszler  
D342,608 S 12/1993 Gemer  
D358,483 S 5/1995 Cross et al.  
D360,978 S 8/1995 Willard et al.  
D361,205 S 8/1995 Hughes  
D429,065 S 8/2000 Hillman  
D441,533 S 5/2001 Tawil  
D443,417 S 6/2001 Hillman  
D443,983 S 6/2001 Hillman  
D456,601 S 5/2002 Kegels  
D456,993 S 5/2002 Lin et al.



(56)

References Cited

U.S. PATENT DOCUMENTS

D591,045 S \* 4/2009 Chu ..... D3/283  
 D594,652 S 6/2009 Guyon et al.  
 D596,398 S \* 7/2009 Chu ..... D3/283  
 D596,402 S 7/2009 Chu et al.  
 D609,008 S \* 2/2010 Diamant ..... D3/243  
 D620,708 S 8/2010 Sanz  
 D624,312 S \* 9/2010 Chu ..... D3/243  
 D629,606 S 12/2010 Guichot  
 D646,054 S \* 10/2011 Littleton ..... D3/243  
 D655,084 S 3/2012 Shor et al.  
 D668,456 S 10/2012 Du  
 D674,187 S \* 1/2013 Jobert ..... D3/243  
 D675,019 S 1/2013 Jacobson  
 D696,014 S \* 12/2013 Ng ..... D3/243  
 D698,548 S 2/2014 Jacobs  
 D722,228 S \* 2/2015 Zwetzig ..... D3/232  
 D733,423 S \* 7/2015 Dumas ..... D3/243  
 D742,634 S \* 11/2015 Zwetzig ..... D3/232  
 D775,825 S 1/2017 Chehebar et al.  
 D804,820 S \* 12/2017 Tobias ..... D3/283  
 D813,539 S \* 3/2018 Van Assche ..... D3/283  
 D822,986 S \* 7/2018 Viger ..... D3/246  
 D824,170 S 7/2018 Tobias  
 D833,745 S 11/2018 Barenbrug  
 2004/0045781 A1 3/2004 Scicluna et al.  
 2007/0193902 A1 8/2007 Myers et al.  
 2008/0230338 A1 9/2008 Liang

2009/0288925 A1 11/2009 Hess et al.  
 2010/0288591 A1 11/2010 Drew et al.  
 2013/0075213 A1 3/2013 Chi Yueh Chen et al.

OTHER PUBLICATIONS

Amazon, “Tumi Men’s Alpha Fallon Messenger Bag”, First on sale Jan. 25, 2018. (<https://www.amazon.com/Tumi-Alpha-Bravo-Fallon-Messenger/dp/B078211G2B>) (Year: 2018).\*

Waterfield, “Maverick Leather Laptop Messenger Bag”, Embedded youtube video showing product dated Jan. 24, 2017. (<https://www.sfbags.com/products/nnaverick-leather-laptop-messenger-bag>) (Year: 2017).\*

Sz-Wholesale, Quinley Leather Expandable Executive Laptop Case, Jan. 2, 2013. <http://www.sz-wholesale.com/p/Executive-Laptop-Case/Expandable-Executive-Laptop-Case--Quinley-Leather-569403.html>.

Sz-Wholesale, Options 600D, Aug. 23, 2010. [http://www.sz-wholesale.com/shenzhen\\_China\\_products/Portfolio-Bag\\_1.htm](http://www.sz-wholesale.com/shenzhen_China_products/Portfolio-Bag_1.htm).

Amazon, “TUMI—Alpha Bravo Albany Laptop Slim Commuter Brief Briefcase—14 Inch Computer Bag for Men and Women—Black”, dated Apr. 17, 2019, U.S. Appl. No. 29/608,594 as being first reviewed on Oct. 12, 2015. (<https://www.amazon.com/TUMI-Albany-Commuter-Briefcase-Computer/dp/B0782119M6>).

Amazon, “Bostanten Leather Briefcase Messenger Business Bags . . .”, dated Apr. 17, 2019, U.S. Appl. No. 29/608,594 as being first reviewed on Sep. 14, 2018. (<https://www.amazon.com/d/B07F9PRK2J/>).

\* cited by examiner

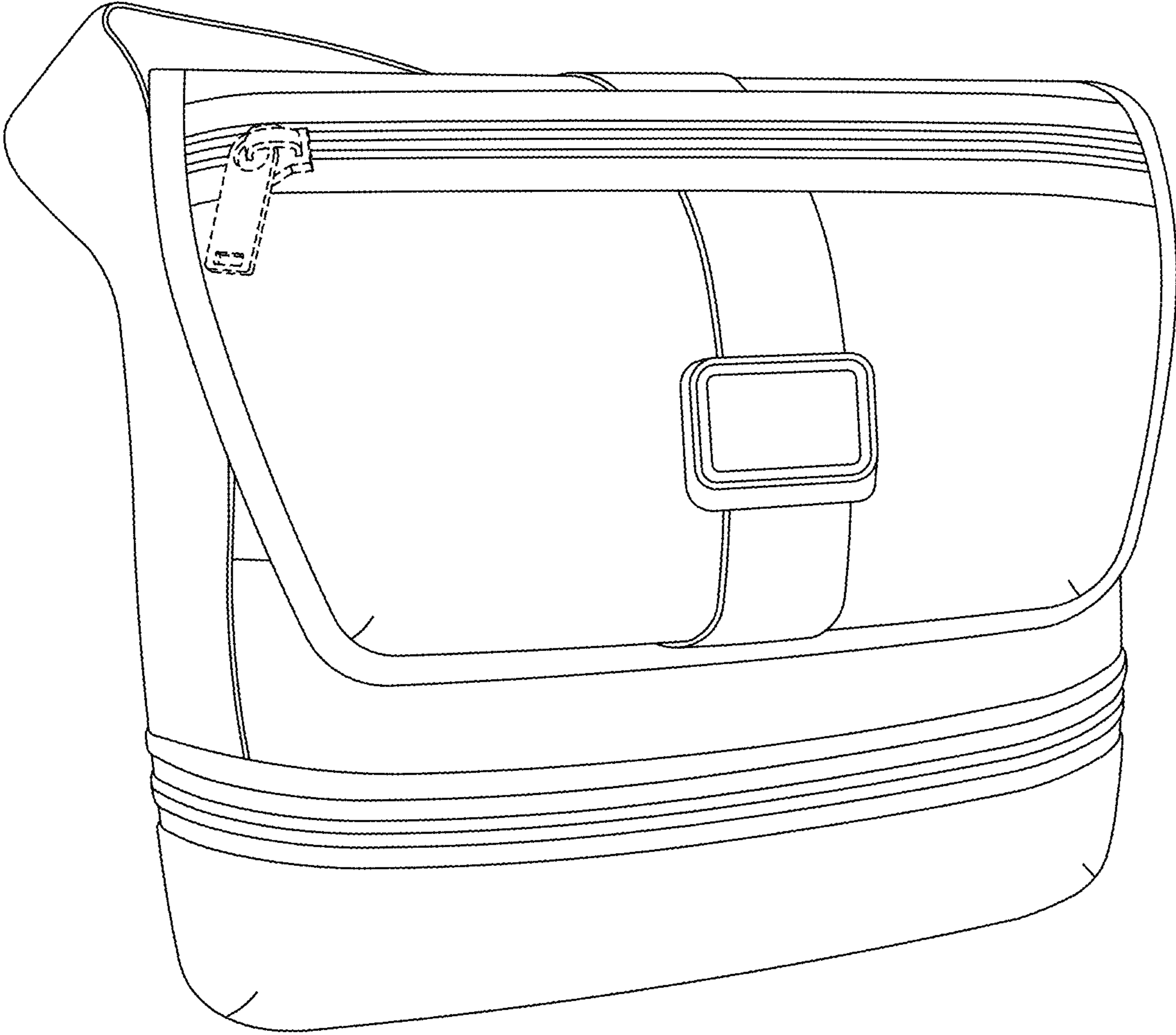


FIG. 1

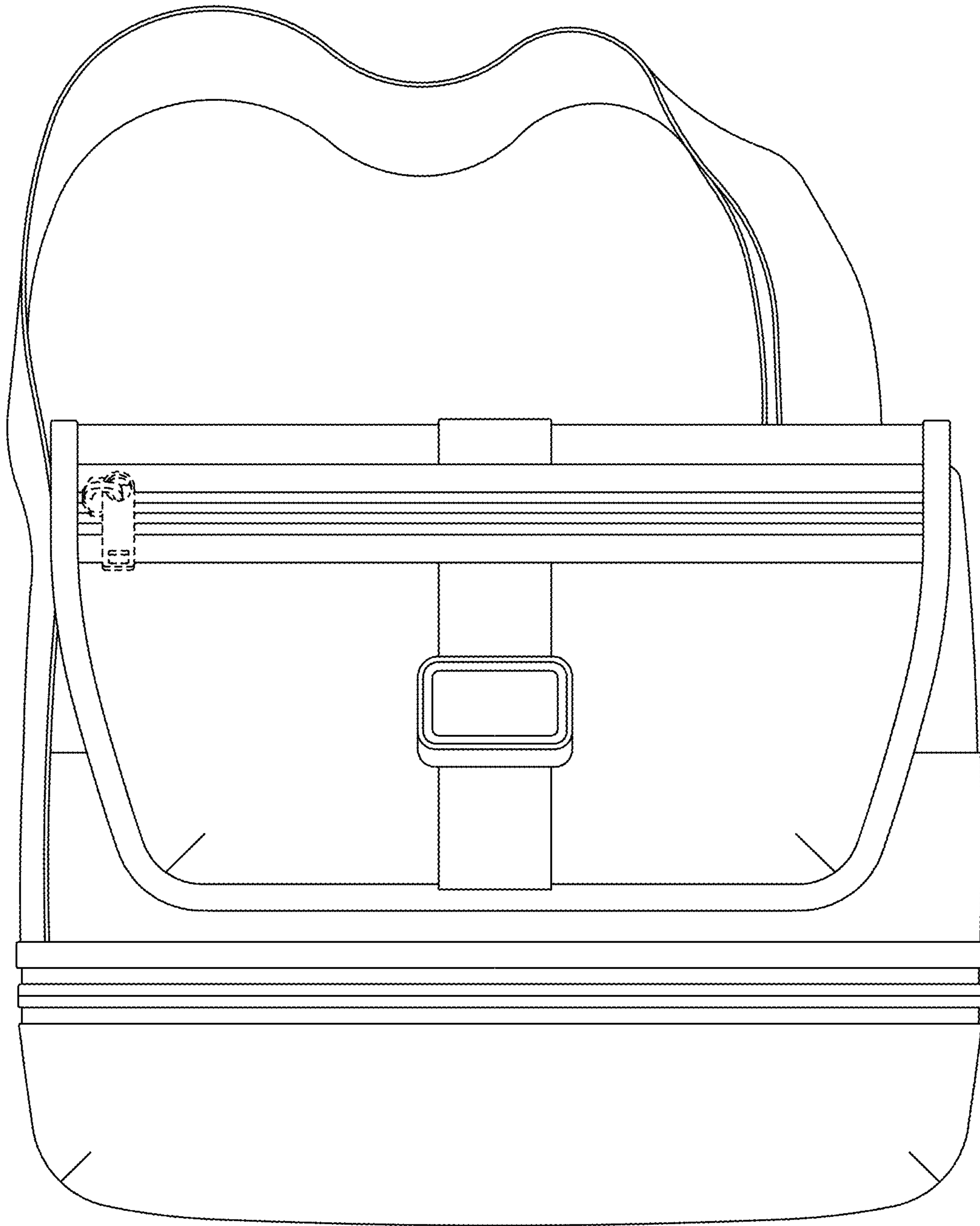


FIG. 2

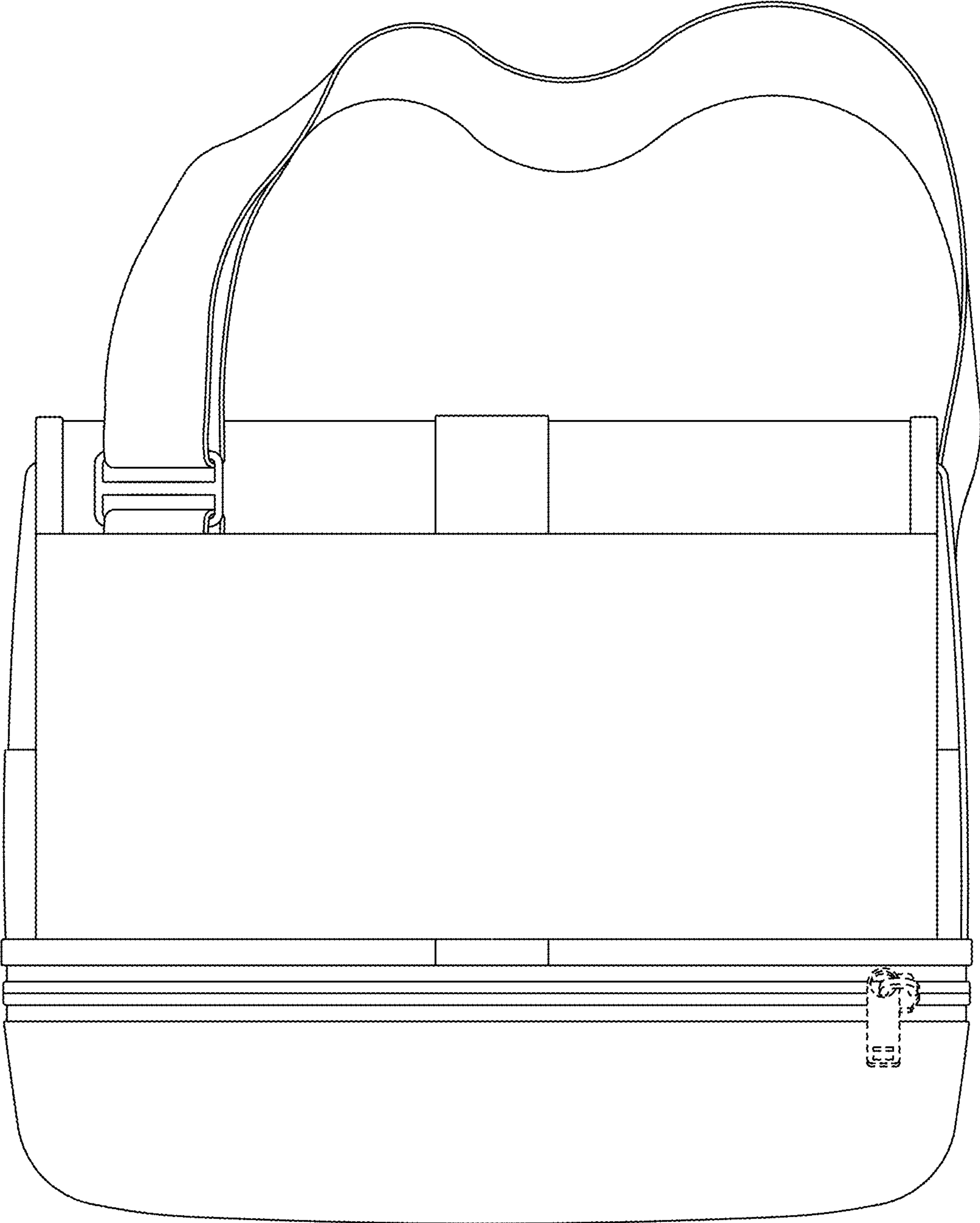


FIG. 3

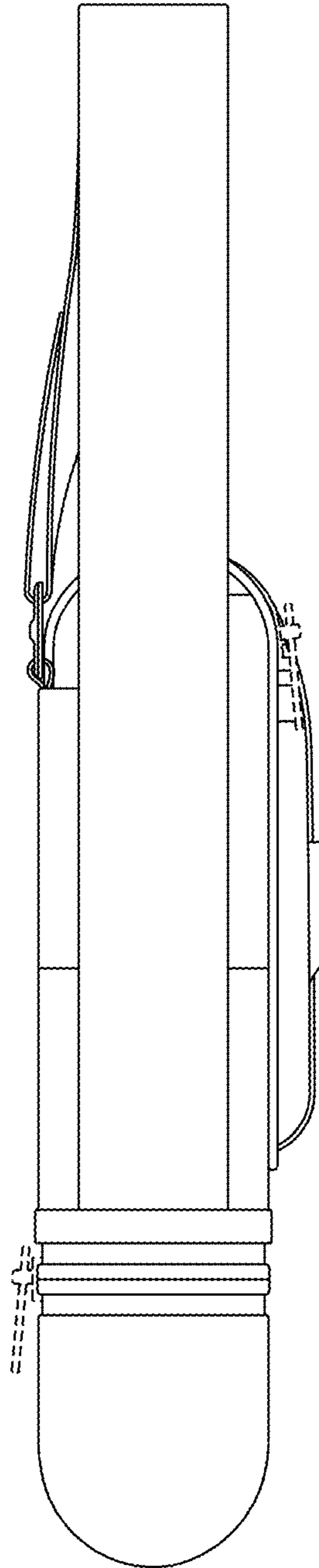


FIG. 4

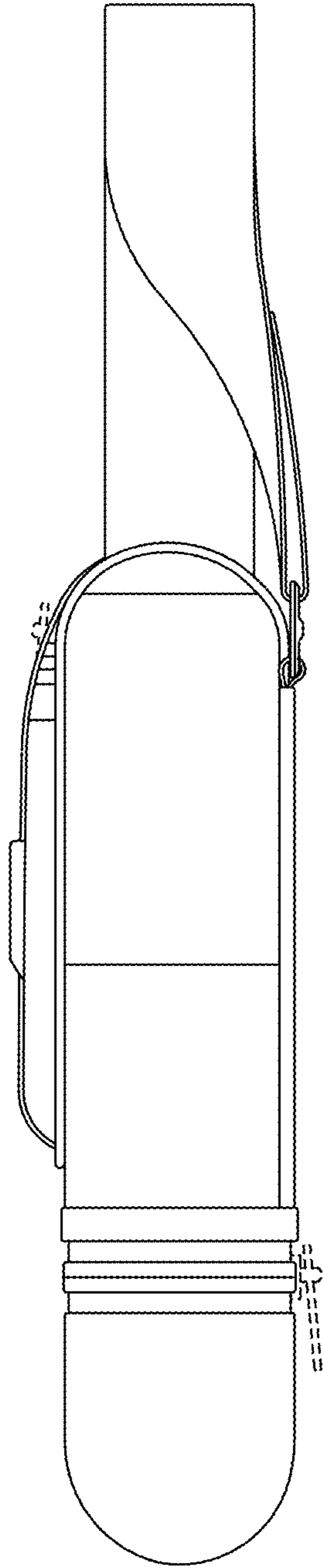


FIG. 5

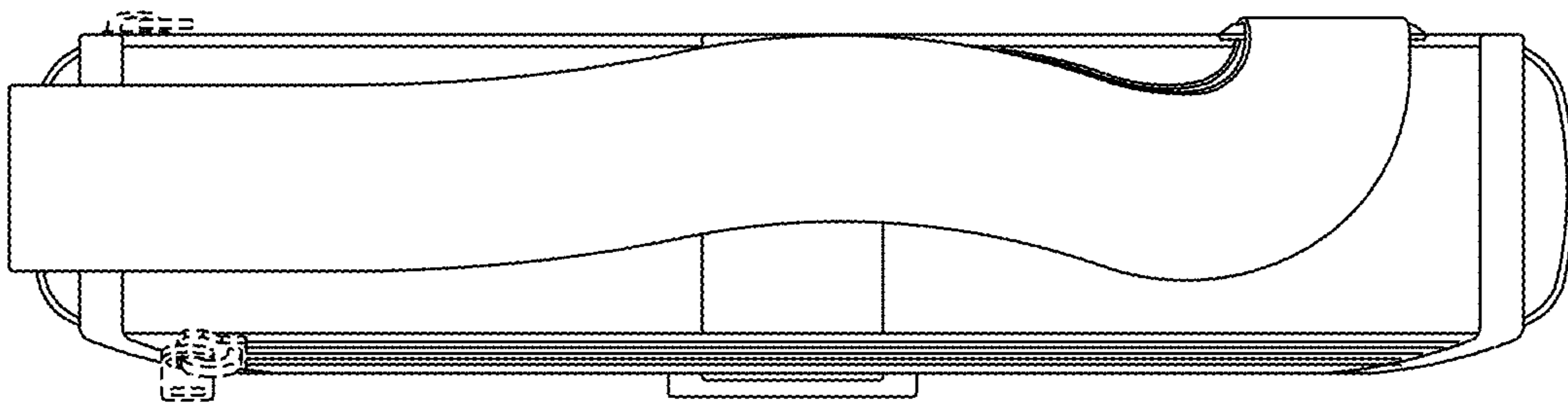


FIG. 6



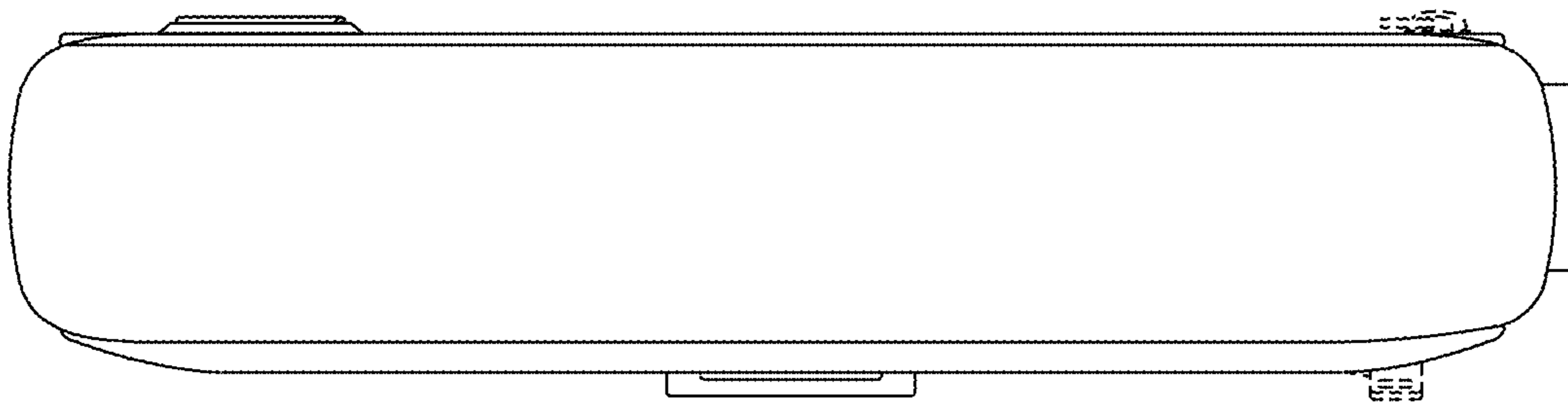


FIG. 7