



US00D882249S

(12) **United States Design Patent** (10) **Patent No.:** **US D882,249 S**
Nair (45) **Date of Patent:** **** *Apr. 28, 2020**

(54) **HANDBAG**
(71) Applicant: **MOYNAT PARIS SAS**, Paris (FR)
(72) Inventor: **Ramesh Nair**, Paris (FR)
(73) Assignee: **MOYNAT PARIS SAS**, Paris (FR)
(*) Notice: This patent is subject to a terminal disclaimer.
(**) Term: **15 Years**
(21) Appl. No.: **29/603,669**
(22) Filed: **May 11, 2017**
(30) **Foreign Application Priority Data**

Mar. 1, 2017 (WO) DM095427

(51) **LOC (12) Cl.** **03-01**
(52) **U.S. Cl.**
USPC **D3/232; D3/243**

(58) **Field of Classification Search**
USPC D3/232-236, 238-243, 245-246, 318,
D3/304, 306-308, 257, 258, 267, 268;
D9/681
CPC A45C 1/024; A45C 3/06; A45C 3/10
See application file for complete search history.

(56) **References Cited**

U.S. PATENT DOCUMENTS

D164,621 S * 9/1951 Bienen 150/103
D250,794 S * 1/1979 Siegel D3/243
D455,256 S * 4/2002 Tyler D3/219
D499,251 S * 12/2004 Chen D3/219
D548,967 S * 8/2007 Bell D3/287
D650,168 S * 12/2011 Littleton D3/243

D679,496 S * 4/2013 Dolce D3/243
D756,114 S * 5/2016 Slimane D3/243
D758,070 S * 6/2016 Frohlich D3/232
D772,564 S * 11/2016 Michele D3/243
D774,756 S * 12/2016 Sassi D3/243
D792,091 S * 7/2017 Sassi D3/232
D794,325 S * 8/2017 Tobias D3/232
D796,190 S * 9/2017 Fusi D3/243
D799,820 S * 10/2017 Guyon D3/245
D802,299 S * 11/2017 Sassi D3/246
D810,426 S * 2/2018 Hulme D3/232
D810,427 S * 2/2018 Lopez Montoya D3/243

* cited by examiner

Primary Examiner — Cathron C Brooks
Assistant Examiner — Andrew T Nemeth
(74) *Attorney, Agent, or Firm* — Avery N. Goldstein;
Blue Filament Law PLLC

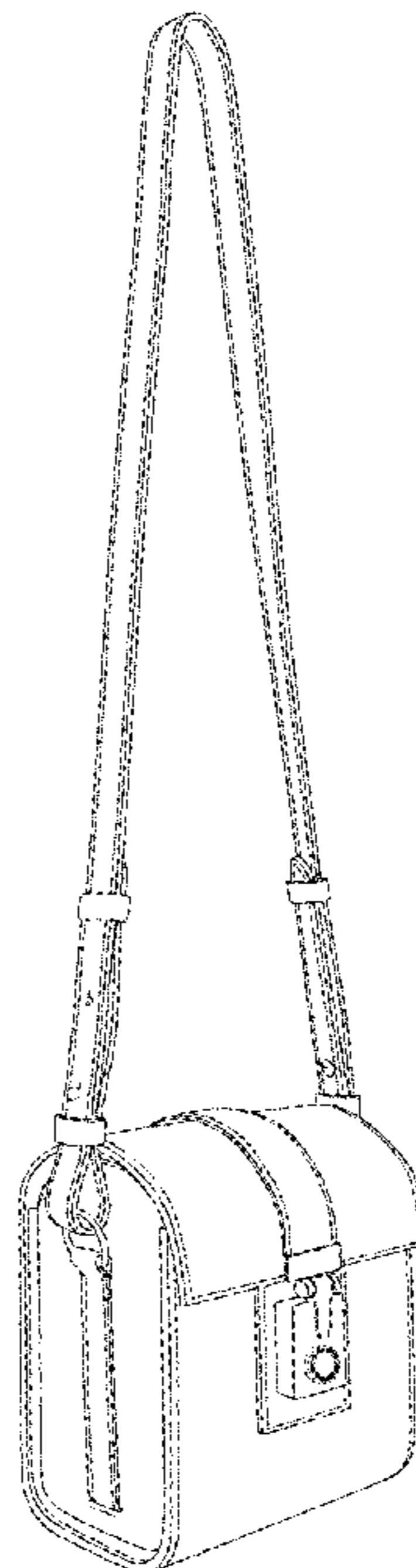
(57) **CLAIM**

The ornamental design for a handbag, as shown and described.

DESCRIPTION

FIG. 1 is a perspective view of a handbag showing my new design;
FIG. 2 is a front view thereof;
FIG. 3 is a right side view thereof;
FIG. 4 is left side view thereof;
FIG. 5 is a back view thereof;
FIG. 6 is a bottom view thereof; and,
FIG. 7 is a top view thereof.
The dashed lines associated with the edges of the handbag illustrate stitching that form part of the claimed design.
The broken line showing of the circular lock feature forms no part of the claimed design.

1 Claim, 5 Drawing Sheets



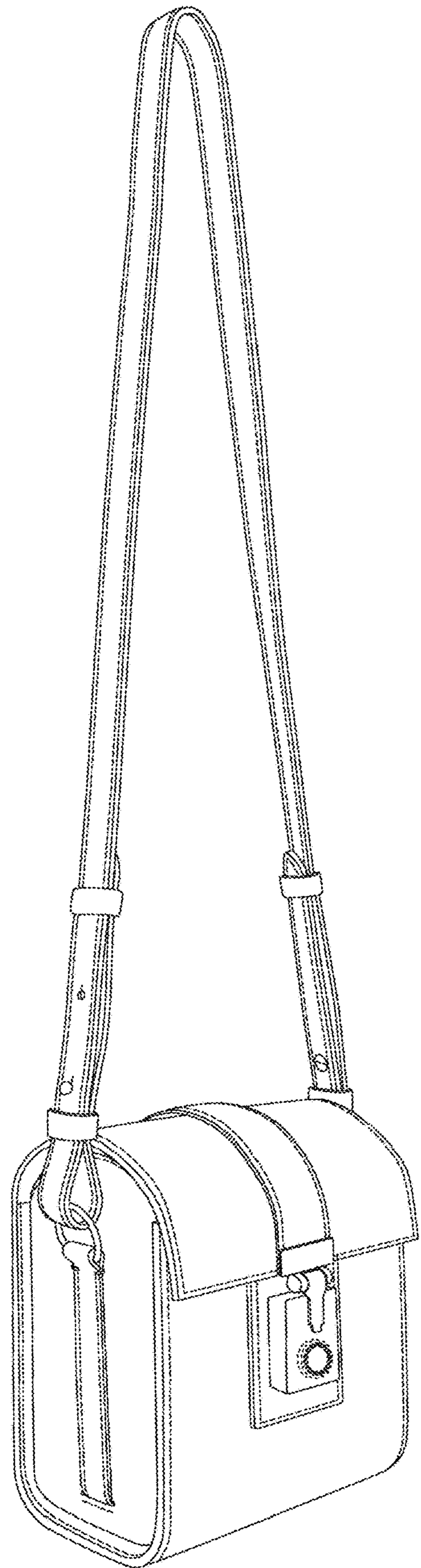


FIG 1

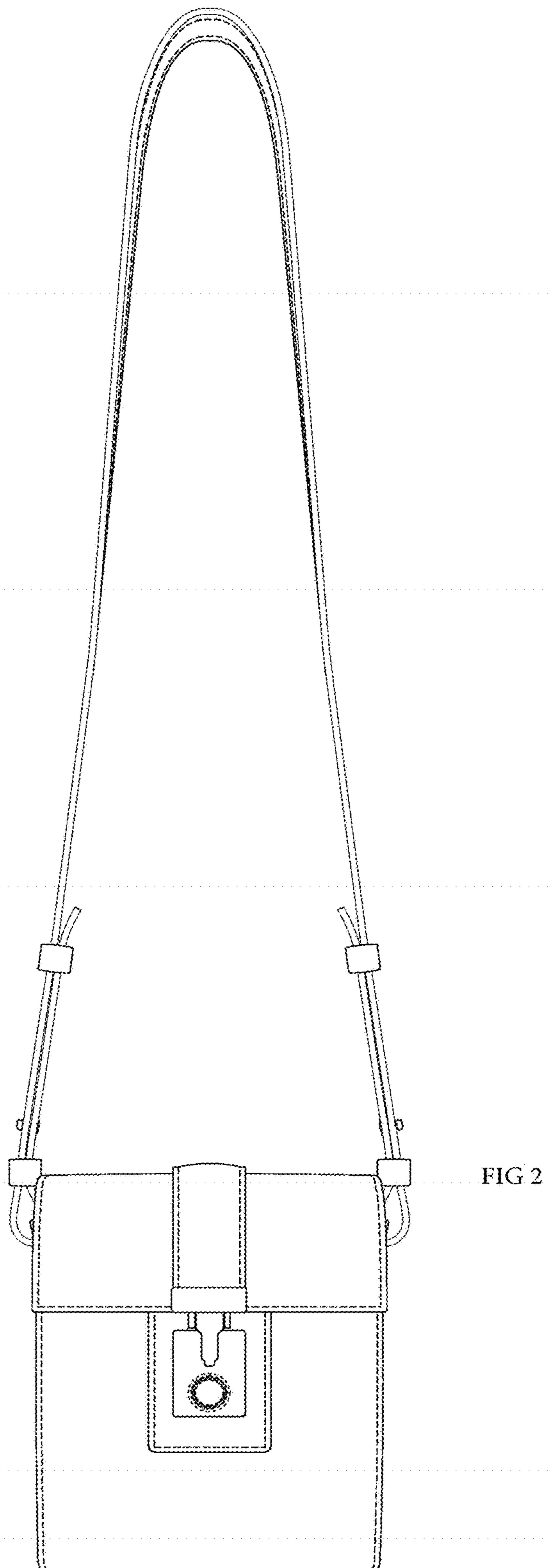
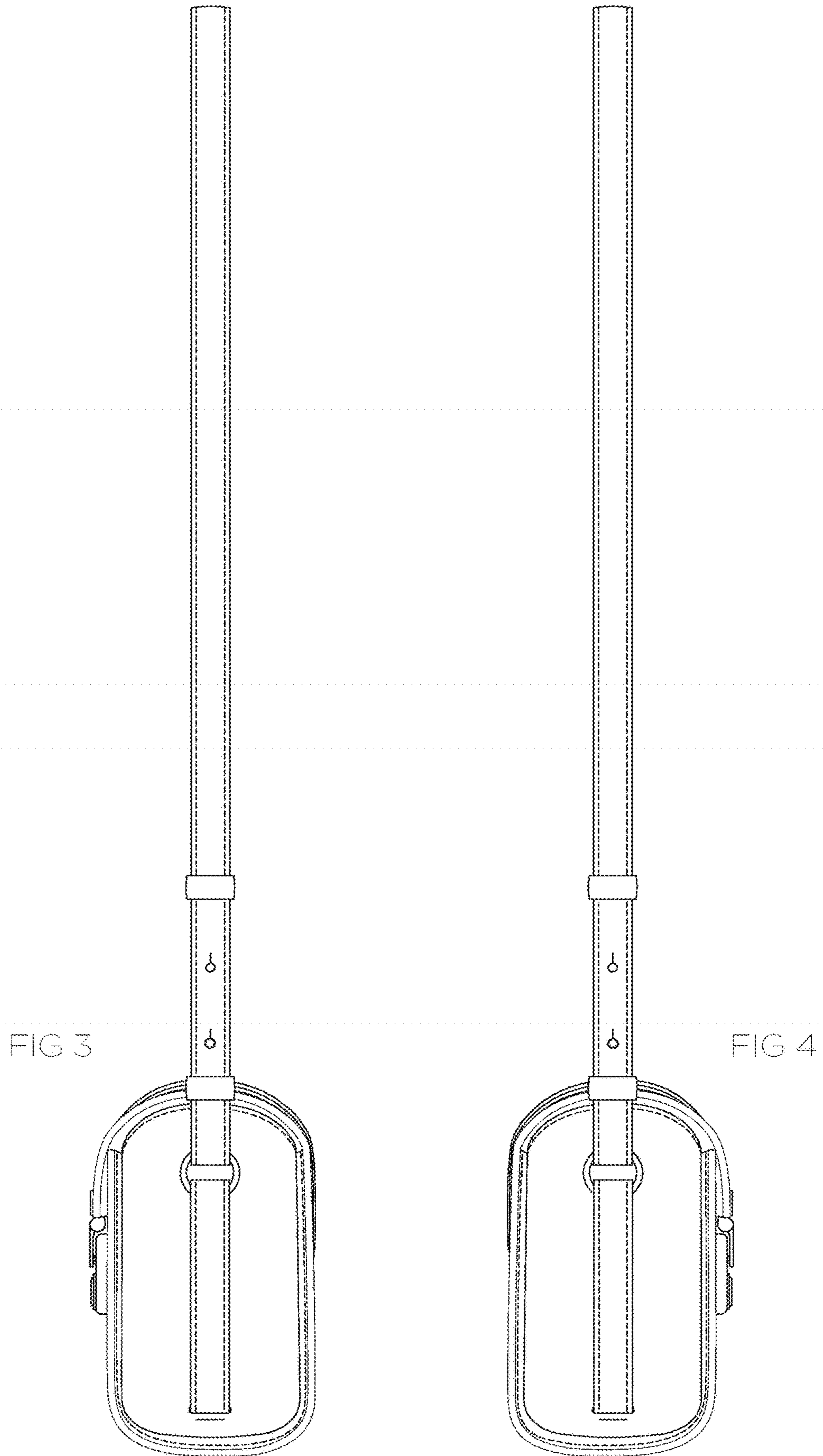
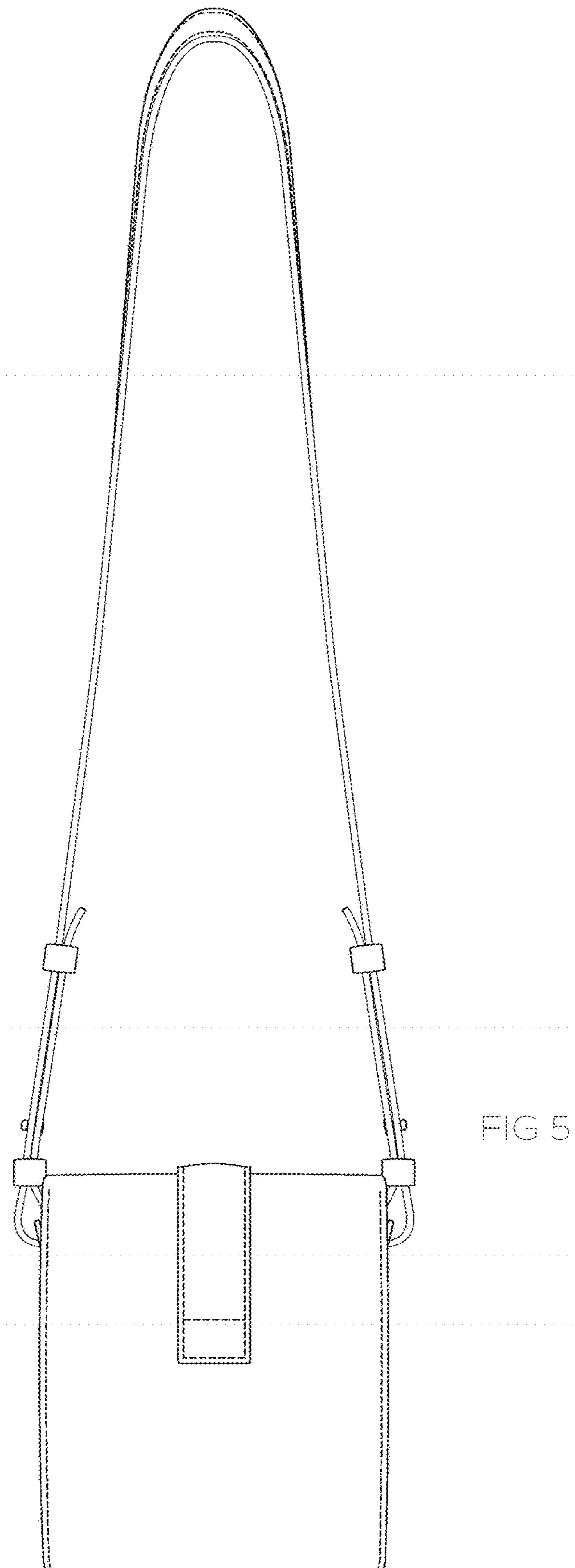


FIG 2





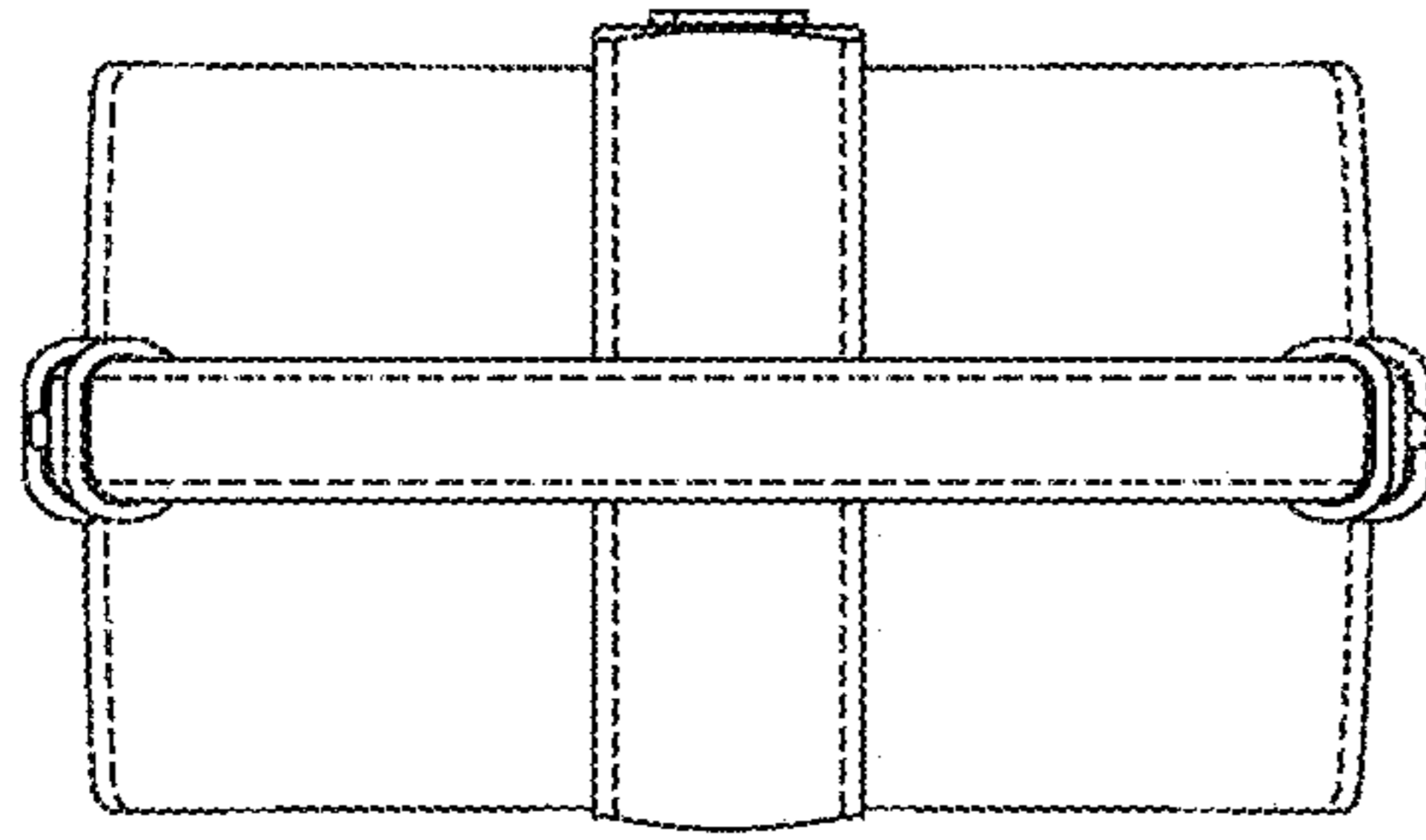


FIG 6

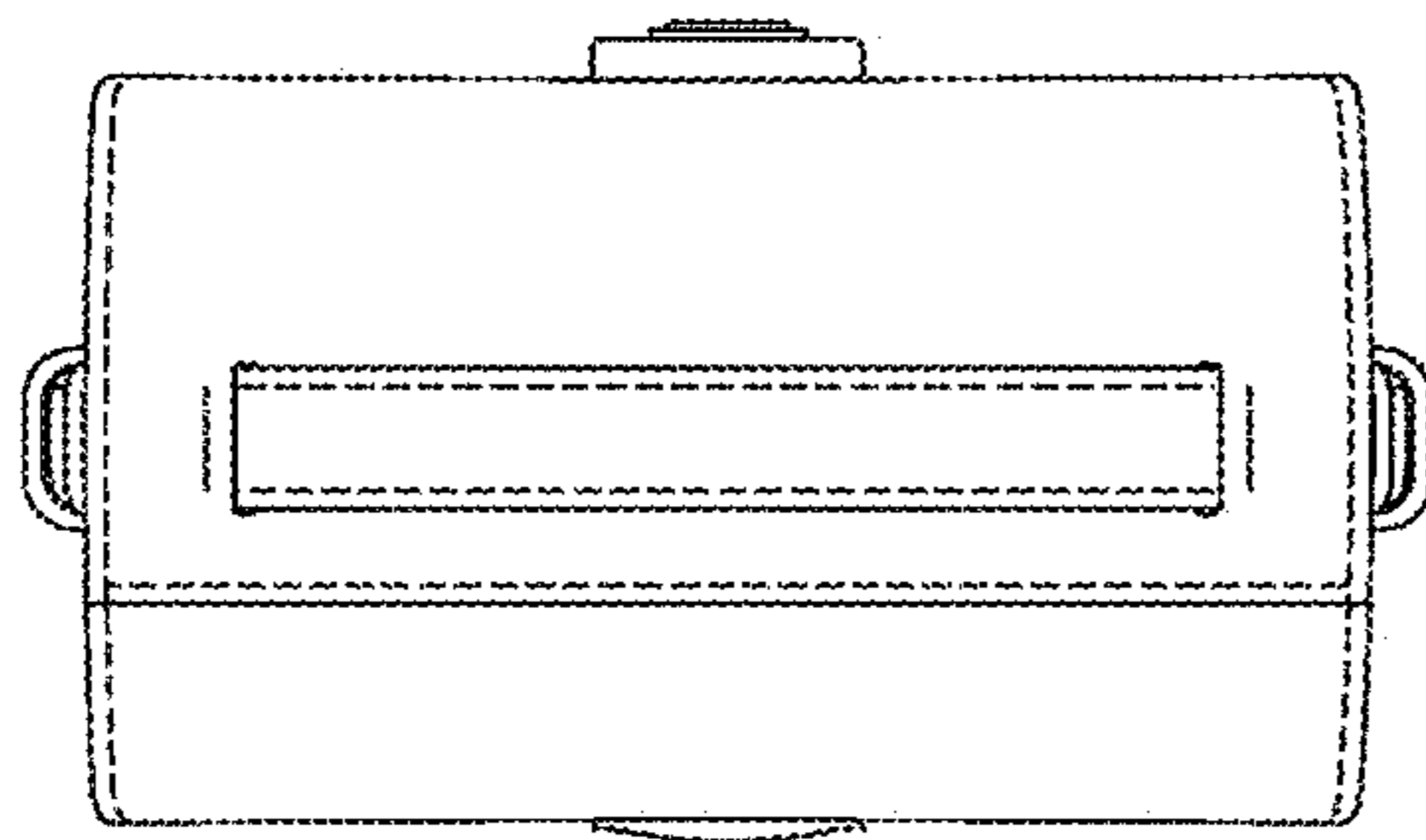
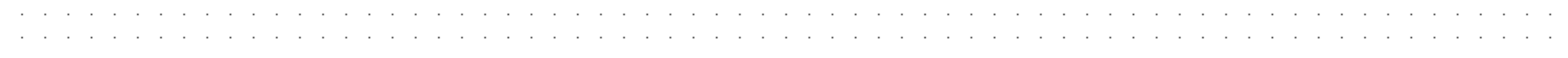


FIG 7