



US00D882244S

(12) **United States Design Patent** (10) **Patent No.:** **US D882,244 S**  
**Gibbons** (45) **Date of Patent:** **\*\* Apr. 28, 2020**

(54) **BABY CARRIER WITH TIES**

FOREIGN PATENT DOCUMENTS

(71) Applicant: **The Boppy Company, LLC**, Golden, CO (US)

AU 2008249011 A1 11/2008  
CA 2685364 C 12/2014

(Continued)

(72) Inventor: **Haley Gibbons**, Westminster, CO (US)

OTHER PUBLICATIONS

(73) Assignee: **The Boppy Company, LLC**, Golden, CO (US)

Schachtner, Petra, "Baby and Toddler Carrier", OHIM—Office for Harmonization in the Internal Market, No. 000989736-0001, Aug. 21, 2008, all pages.

(Continued)

(\*\*) Term: **15 Years**

(21) Appl. No.: **29/675,152**

(22) Filed: **Dec. 28, 2018**

*Primary Examiner* — Eric L Goodman

(51) **LOC (12) Cl.** ..... **03-99**

*Assistant Examiner* — Steven J Czyz

(52) **U.S. Cl.**  
USPC ..... **D3/214**

(74) *Attorney, Agent, or Firm* — Kilpatrick Townsend & Stockton LLP

(58) **Field of Classification Search**  
USPC ..... D3/201, 213, 214, 215; D2/719  
CPC ..... A47D 13/02; A47D 13/025  
See application file for complete search history.

(57) **CLAIM**

The ornamental design for a baby carrier with ties, substantially as shown and described.

(56) **References Cited**

**DESCRIPTION**

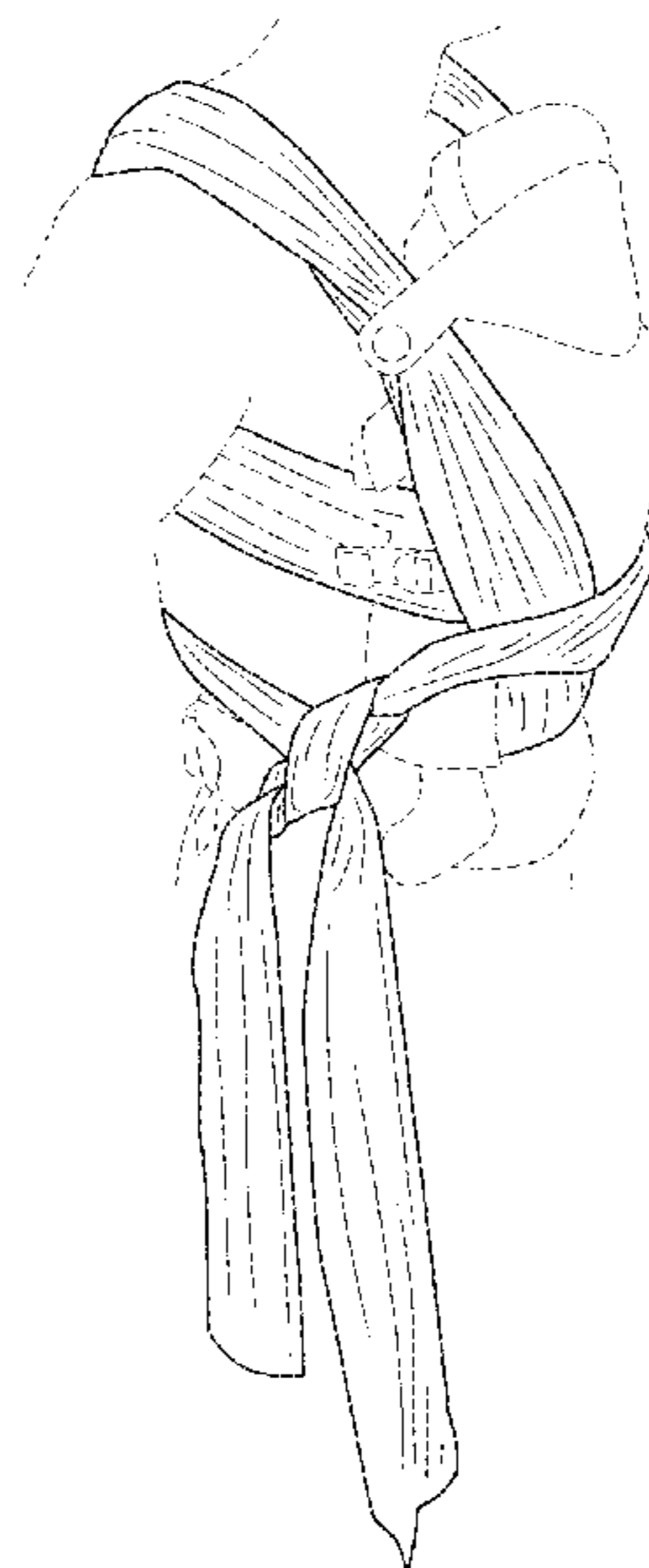
U.S. PATENT DOCUMENTS

- 3,871,562 A 3/1975 Grenier
- 4,009,808 A 3/1977 Sharp
- 4,166,558 A 9/1979 Schroeder
- D266,800 S \* 11/1982 Kula ..... D3/214
- 4,428,514 A 1/1984 Elf
- 4,434,920 A 3/1984 Moore
- 4,469,259 A 9/1984 Krich et al.
- 4,492,326 A 1/1985 Storm
- 4,986,458 A 1/1991 Linday
- 5,071,047 A 12/1991 Cordisco
- 5,205,451 A 4/1993 Manzer
- 5,246,152 A 9/1993 Dotseth
- 5,490,620 A 2/1996 Bergqvist
- 5,632,425 A 5/1997 Hull
- 5,678,739 A 10/1997 Darling et al.
- 5,692,655 A 12/1997 Fair et al.
- 5,791,535 A 8/1998 Roan et al.

(Continued)

FIG. 1 is a perspective view of a baby carrier with ties showing my new, original, and ornamental design when worn by a user;  
FIG. 2 is a front view thereof;  
FIG. 3 is a rear view thereof;  
FIG. 4 is a left-side view thereof;  
FIG. 5 is a right-side view thereof;  
FIG. 6 is a top view thereof;  
FIG. 7 is a front view of the baby carrier with ties, shown when not worn by a user and in an open configuration; and, FIG. 8 is a rear view of the baby carrier with ties, shown when not worn by a user and in an open configuration.  
The broken lines depict environment and portions of the article that form no part of the claimed design.

**1 Claim, 8 Drawing Sheets**



(56)

References Cited

U.S. PATENT DOCUMENTS

5,813,580	A	9/1998	Fair		9,380,887	B2	7/2016	Frost
5,848,741	A	12/1998	Fair		9,380,888	B2	7/2016	Telford et al.
5,950,887	A *	9/1999	Powell	A47D 13/025	9,386,863	B1	7/2016	Antunovic
				224/158	9,439,515	B2	9/2016	Kim
5,961,014	A	10/1999	Knerr		9,521,912	B2	12/2016	Yen
6,045,018	A	4/2000	Onishi		D775,815	S *	1/2017	Halverstadt ..... D3/214
6,065,655	A *	5/2000	Parewick	A47D 13/025	9,565,951	B2	2/2017	Schaarschmidt
				224/158	9,629,398	B2	4/2017	Goryl
6,112,960	A *	9/2000	Seering	A47D 13/025	9,681,737	B2	6/2017	Gleason
				224/158	9,700,152	B2	7/2017	Telford et al.
6,257,468	B1	7/2001	Yamazoe et al.		9,713,391	B2	7/2017	Telford et al.
D452,993	S	1/2002	Norman		9,750,352	B2	9/2017	Harris
6,409,060	B2	6/2002	Donine		9,750,353	B2	9/2017	Antunovic
6,443,339	B1	9/2002	Higuchi		9,788,664	B2	10/2017	Andren et al.
6,598,771	B2	7/2003	Norman		9,839,302	B2	12/2017	Frost
6,666,361	B1	12/2003	Lin		9,848,713	B2	12/2017	Rosen et al.
D486,635	S	2/2004	Yagisawa		9,877,596	B2	1/2018	Schaarschmidt
6,808,099	B2	10/2004	Nykoluk		9,949,575	B2	4/2018	Pond et al.
6,988,644	B1	1/2006	Asherbranner		9,955,797	B2	5/2018	Telford et al.
7,004,362	B2	2/2006	Boone		10,045,634	B2	8/2018	Salazar et al.
7,070,076	B2	7/2006	Bergkvist		10,172,478	B2	1/2019	Telford et al.
7,252,214	B2	8/2007	Krogh		D844,973	S *	4/2019	Gibbons ..... D3/214
7,287,676	B2	10/2007	Chua		10,264,894	B2 *	4/2019	Gibbons ..... A47D 13/025
7,322,498	B2	1/2008	Frost		10,300,327	B2 *	5/2019	Donchenko ..... A47D 13/02
7,494,031	B2	2/2009	Kassai et al.		10,555,620	B2	2/2020	Gibbons
7,661,566	B2	2/2010	Yoshie et al.		2003/0178452	A1	9/2003	Norman
D614,861	S *	5/2010	Smyth	D3/213	2005/0077330	A1 *	4/2005	Fernandez ..... A47D 13/02
7,766,199	B1	8/2010	Caperon				6/2005	Heidt ..... A47D 13/025
D630,838	S *	1/2011	Gmeiner	D3/214	2005/0133551	A1 *		224/160
7,886,946	B2	2/2011	Gray		2005/0242136	A1	11/2005	Moriguchi et al.
D642,375	S	8/2011	Zack et al.		2005/0279785	A1	12/2005	Liistro et al.
D649,345	S	11/2011	Bergkvist et al.		2006/0237493	A1 *	10/2006	Tsai ..... A47D 13/025
8,056,779	B1	11/2011	Brunwin					224/159
D657,132	S	4/2012	Caperon		2007/0029356	A1	2/2007	Moriguchi et al.
8,172,116	B1	5/2012	Lehan et al.		2007/0062987	A1 *	3/2007	Murakami ..... A47D 13/025
D672,546	S *	12/2012	Dror	D3/214				224/158
8,393,505	B2	3/2013	Coote et al.		2007/0062988	A1 *	3/2007	Kassai ..... A47D 13/02
8,403,193	B2	3/2013	Chan					224/158
8,418,897	B1	4/2013	Young		2007/0062989	A1 *	3/2007	Kassai ..... A47D 13/02
8,424,732	B1	4/2013	Lehan et al.					224/158
8,453,894	B2	6/2013	Jung et al.		2007/0080183	A1	4/2007	Lafoux et al.
8,453,897	B2	6/2013	Burton		2007/0284403	A1	12/2007	Minami et al.
8,464,920	B2	6/2013	Meyer		2008/0283559	A1	11/2008	Parness et al.
8,490,844	B2	7/2013	Favorito et al.		2009/0026235	A1	1/2009	Gray
8,523,028	B1	9/2013	Young		2010/0200626	A1	8/2010	Moftakhar
D691,791	S *	10/2013	Rondone	D3/213	2010/0308088	A1	12/2010	Lindblom
8,579,168	B2	11/2013	Zack et al.		2011/0101051	A1	5/2011	Parness et al.
8,590,757	B2	11/2013	Frost		2011/0240693	A1 *	10/2011	Parness ..... A47D 13/025
8,701,949	B1	4/2014	Lehan et al.					224/160
8,752,739	B2	6/2014	Bergkvist et al.		2012/0152987	A1	6/2012	Beltrame et al.
8,807,411	B2	8/2014	Meyer		2012/0199619	A1 *	8/2012	Zack ..... A47D 13/025
8,925,772	B2 *	1/2015	Vukovics	A47D 13/025				224/160
				224/160	2012/0234877	A1	9/2012	Hiniduma-Lokuge
8,973,793	B2 *	3/2015	Arvan	A47D 13/02	2012/0241487	A1	9/2012	Zack et al.
				224/158	2012/0248159	A1 *	10/2012	Rahni ..... A47D 13/02
8,973,794	B2	3/2015	Bergkvist					224/158
9,022,260	B2	5/2015	Frost		2012/0266350	A1	10/2012	Zack
D738,614	S *	9/2015	Chapman	D3/214	2012/0286002	A1 *	11/2012	Dardel ..... A47D 13/025
D738,615	S *	9/2015	Chapman	D3/214				224/159
9,119,423	B2	9/2015	Gotel et al.		2013/0200116	A1 *	8/2013	Arvan ..... A47D 13/025
9,138,071	B2 *	9/2015	Larch	A47D 13/025				224/158
9,173,473	B2	11/2015	Gleason		2014/0084031	A1 *	3/2014	Bowden ..... A47D 13/025
9,179,758	B2	11/2015	Calilung et al.					224/158
9,185,993	B2	11/2015	Telford et al.		2014/0166705	A1 *	6/2014	Vukovics ..... A47D 13/02
9,198,525	B2 *	12/2015	Wernick	A47D 13/025				224/158
9,220,352	B2	12/2015	Frost		2014/0231473	A1 *	8/2014	Bailey ..... A47D 13/025
9,277,830	B2	3/2016	Schachtner					224/160
D752,855	S *	4/2016	Halverstadt	D3/213	2014/0263492	A1	9/2014	Bailey
9,314,111	B2	4/2016	Hartwell et al.		2014/0284362	A1 *	9/2014	Halverstadt ..... A47D 13/02
9,314,112	B2	4/2016	Chuah et al.					224/159
9,314,113	B1	4/2016	Lehan et al.		2014/0319189	A1	10/2014	Hoppener-Visser
9,357,852	B2	6/2016	Salazar et al.		2015/0189997	A1 *	7/2015	Gmeiner ..... A47D 13/02
9,375,096	B2	6/2016	Larch					224/158
9,380,886	B2 *	7/2016	Rahni	A47D 13/02	2015/0196133	A1	7/2015	Rosen et al.
					2015/0201761	A1	7/2015	Wollenberg
					2015/0272342	A1	10/2015	Schaarschmidt
					2016/0066704	A1	3/2016	Frost



(56)

References Cited

U.S. PATENT DOCUMENTS

2016/0120334	A1	5/2016	Pond et al.	
2016/0150893	A1	6/2016	Salazar et al.	
2016/0198865	A1	7/2016	Houston	
2016/0206011	A1*	7/2016	Houston	A47D 13/025
2016/0206115	A1*	7/2016	Brake	A47D 13/025
2016/0227940	A1	8/2016	Wikner et al.	
2016/0278537	A1	9/2016	Frost	
2017/0119173	A1	5/2017	Telford	
2017/0135497	A1	5/2017	Brodin	
2017/0150826	A1	6/2017	Salazar et al.	
2017/0196374	A1	7/2017	Chen	
2017/0238682	A1	8/2017	Goryl	
2017/0238722	A1	8/2017	Flaunty et al.	
2017/0251829	A1	9/2017	Telford et al.	
2017/0332806	A1	11/2017	Liu	
2017/0332807	A1	11/2017	Liu	
2018/0116426	A1	5/2018	Telford	
2018/0228299	A1	8/2018	Gibbons	
2018/0263857	A1	9/2018	Gibbons et al.	
2019/0014920	A1	1/2019	Matsuyama	
2019/0075936	A1	3/2019	Salazar et al.	

FOREIGN PATENT DOCUMENTS

DE	202014002721	U1	7/2014
DE	112010003056	B4	8/2018
EP	1907259	A2	4/2008
EP	2194817	A1	6/2010
EP	1765123	B1	6/2011
EP	2421413	A1	2/2012
EP	2470050	B1	3/2014
EP	2810587	A1	12/2014
EP	2540812	T3	7/2015
EP	3366162	A1	8/2018
GB	2297915	A	8/1996
WO	2005025383	A2	6/2005
WO	2011011158	A2	3/2011
WO	2013188810	A1	12/2013
WO	2014160355	A1	10/2014
WO	2014160355	A1	11/2014
WO	2016039635	A1	3/2016
WO	2016161111	A1	10/2016
WO	2016164713	A1	10/2016
WO	2017075500	A1	5/2017
WO	2018033351	A1	2/2018
WO	2018081603	A1	5/2018

OTHER PUBLICATIONS

Schachtner, Petra, "Baby and Toddler Carrier", OHIM—Office for Harmonization in the Internal Market, No. 000989736-0002, Aug. 21, 2008, all pages.

Schachtner, Petra, "Baby and Toddler Carrier", OHIM—Office for Harmonization in the Internal Market, No. 000989736-0003, Aug. 21, 2008, all pages.

Schachtner, Petra, "Baby and Toddler Carrier", OHIM—Office for Harmonization in the Internal Market, No. 000989736-0004, Aug. 21, 2008, all pages.

Schachtner, Petra, "Baby and Toddler Carrier", OHIM—Office for Harmonization in the Internal Market, No. 000989736-0005, Aug. 21, 2008, all pages.

Schachtner, Petra, "Baby and Toddler Carrier", OHIM—Office for Harmonization in the Internal Market, No. 000989736-0006, Aug. 21, 2008, all pages.

Schachtner, Petra, "Baby and Toddler Carrier", OHIM—Office for Harmonization in the Internal Market, No. 000989736-0007, Aug. 21, 2008, all pages.

Schachtner, Petra, "Baby and Toddler Carrier", OHIM—Office for Harmonization in the Internal Market, No. 000989736-0009, Aug. 21, 2008, all pages.

Schachtner, Petra, "Baby and Toddler Carrier", OHIM—Office for Harmonization in the Internal Market, No. 000989736-0010, Aug. 21, 2008, all pages.

Schachtner, Petra, "Baby and Toddler Carrier", OHIM—Office for Harmonization in the Internal Market, No. 000989736-0011, Aug. 21, 2008, all pages.

Schachtner, Petra, "Baby and Toddler Carrier", OHIM—Office for Harmonization in the Internal Market, No. 000989736-0012, Aug. 21, 2008, all pages.

Schachtner, Petra, "Baby and Toddler Carrier", OHIM—Office for Harmonization in the Internal Market, No. 000989736-0013, Aug. 21, 2008, all pages.

Schachtner, Petra, "Baby and Toddler Carrier", OHIM—Office for Harmonization in the Internal Market, No. 000989736-0014, Aug. 21, 2008, all pages.

Schachtner, Petra, "Baby and Toddler Carrier", OHIM—Office for Harmonization in the Internal Market, No. 000989736-0015, Aug. 21, 2008, all pages.

Schachtner, Petra, "Baby and Toddler Carrier", OHIM—Office for Harmonization in the Internal Market, No. 000989736-0016, Aug. 21, 2008, all pages.

Schachtner, Petra, "Baby and Toddler Carrier", OHIM—Office for Harmonization in the Internal Market, No. 000989736-0017, Aug. 21, 2008, all pages.

Schachtner, Petra, "Baby and Toddler Carrier", OHIM—Office for Harmonization in the Internal Market, No. 000989736-0018, Aug. 21, 2008, all pages.

Schachtner, Petra, "Baby and Toddler Carrier", OHIM—Office for Harmonization in the Internal Market, No. 000989736-0019, Aug. 21, 2008, all pages.

Schachtner, Petra, "Baby and Toddler Carrier", OHIM—Office for Harmonization in the Internal Market, No. 000989736-0020, Aug. 21, 2008, all pages.

Schachtner, Petra, "Baby and Toddler Carrier", OHIM—Office for Harmonization in the Internal Market, No. 000989736-0021, Aug. 21, 2008, all pages.

Schachtner, Petra, "Baby and Toddler Carrier", OHIM—Office for Harmonization in the Internal Market, No. 000989736-0022, Aug. 21, 2008, all pages.

Schachtner, Petra, "Baby and Toddler Carrier", OHIM—Office for Harmonization in the Internal Market, No. 000989736-0023, Aug. 21, 2008, all pages.

Schachtner, Petra, "Baby and Toddler Carrier", OHIM—Office for Harmonization in the Internal Market, No. 000989736-0024, Aug. 21, 2008, all pages.

Unknown, Design DE700000040011804-0001, Dec. 27, 2006, all pages.

International Search Report and Written Opinion for PCT/US2018/014075 dated May 28, 2018, all pages.

Schotthofer, Peter, "Sling for carrying babies", Office for Harmonization in the Internal Market, No. 000304514-0001, May 3, 2005, all pages.

Schotthofer, Peter, "Sling for carrying babies", Office for Harmonization in the Internal Market, No. 000304514-0002, May 3, 2005, all pages.

Schachtner, Petra, "Baby and Toddler Carrier", OHIM—Office for Harmonization in the Internal Market, No. 000989736-0008, Aug. 21, 2008, all pages.

U.S. Appl. No. 16/235,428, filed Dec. 28, 2018 Non-Final Rejection dated Jun. 27, 2019, all pages.

\* cited by examiner

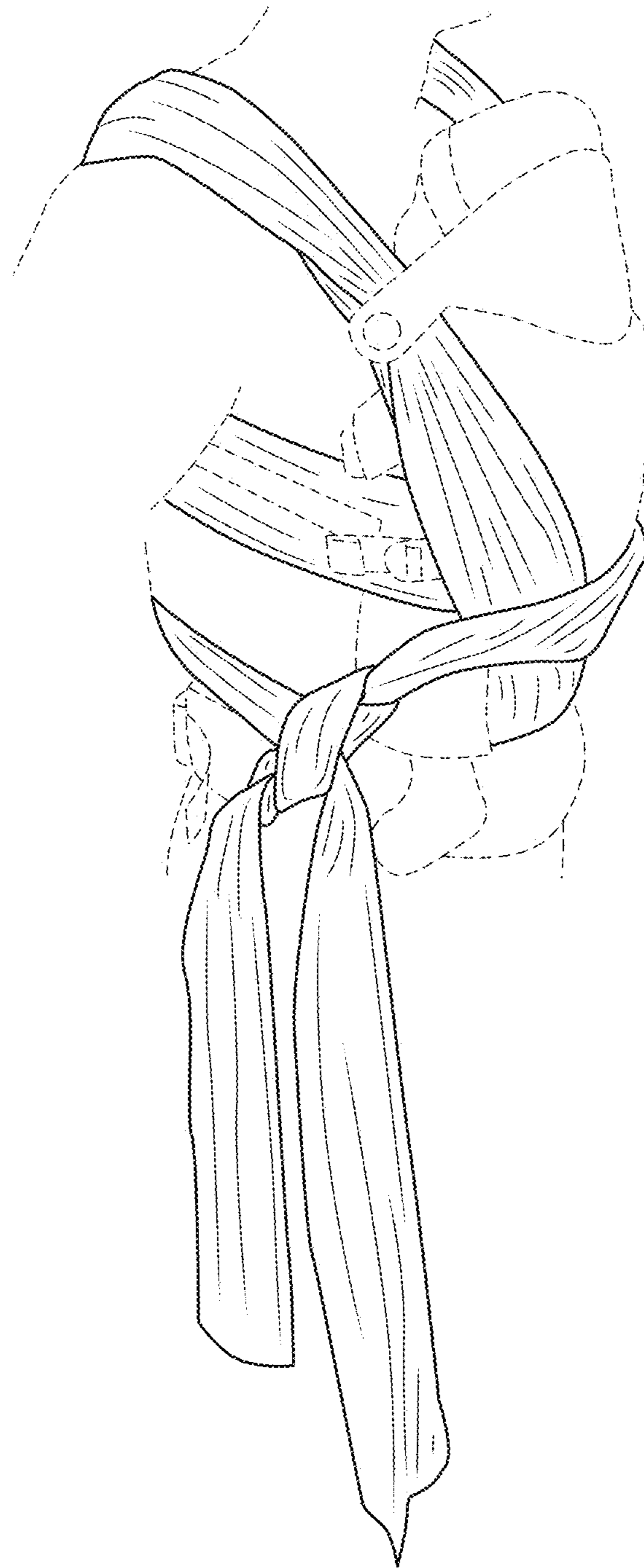


FIG. 1

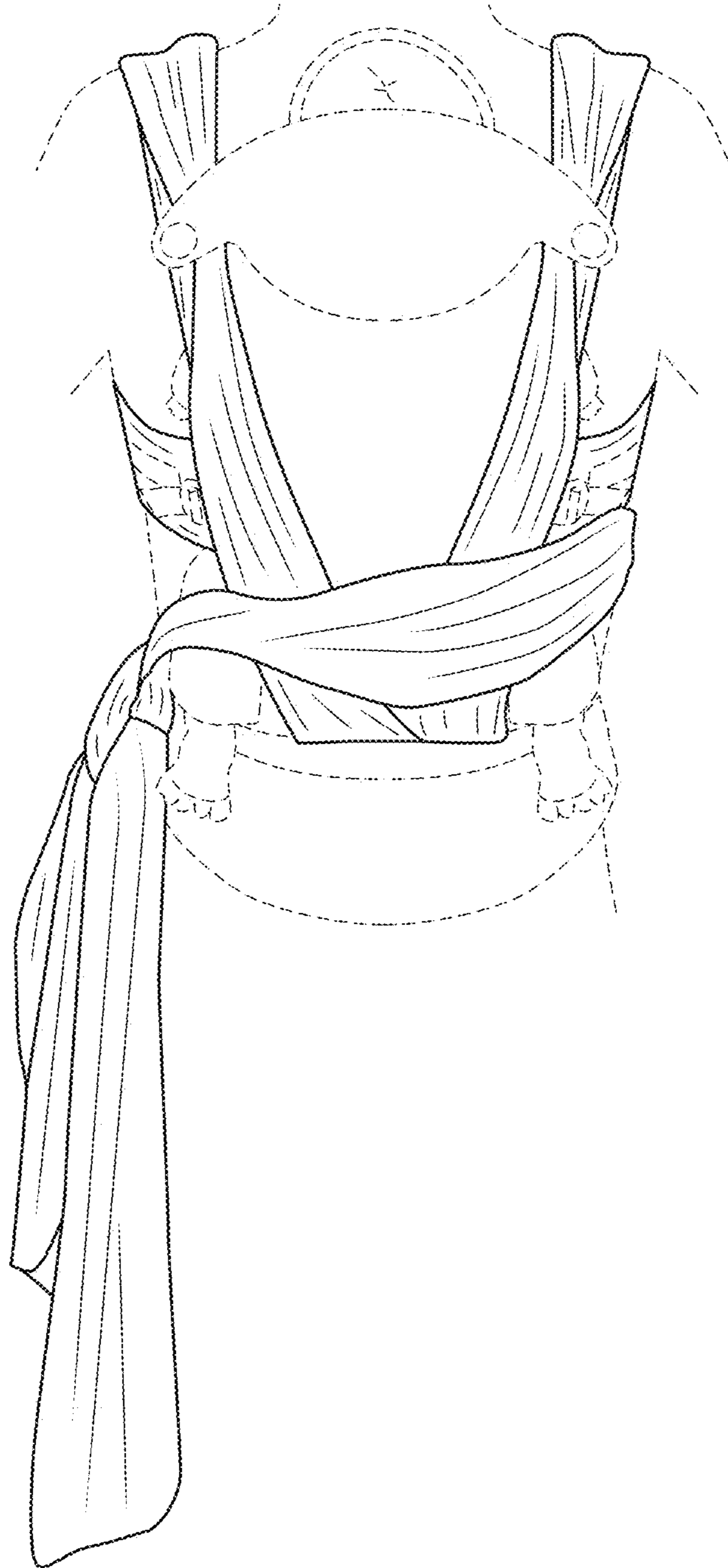


FIG.2



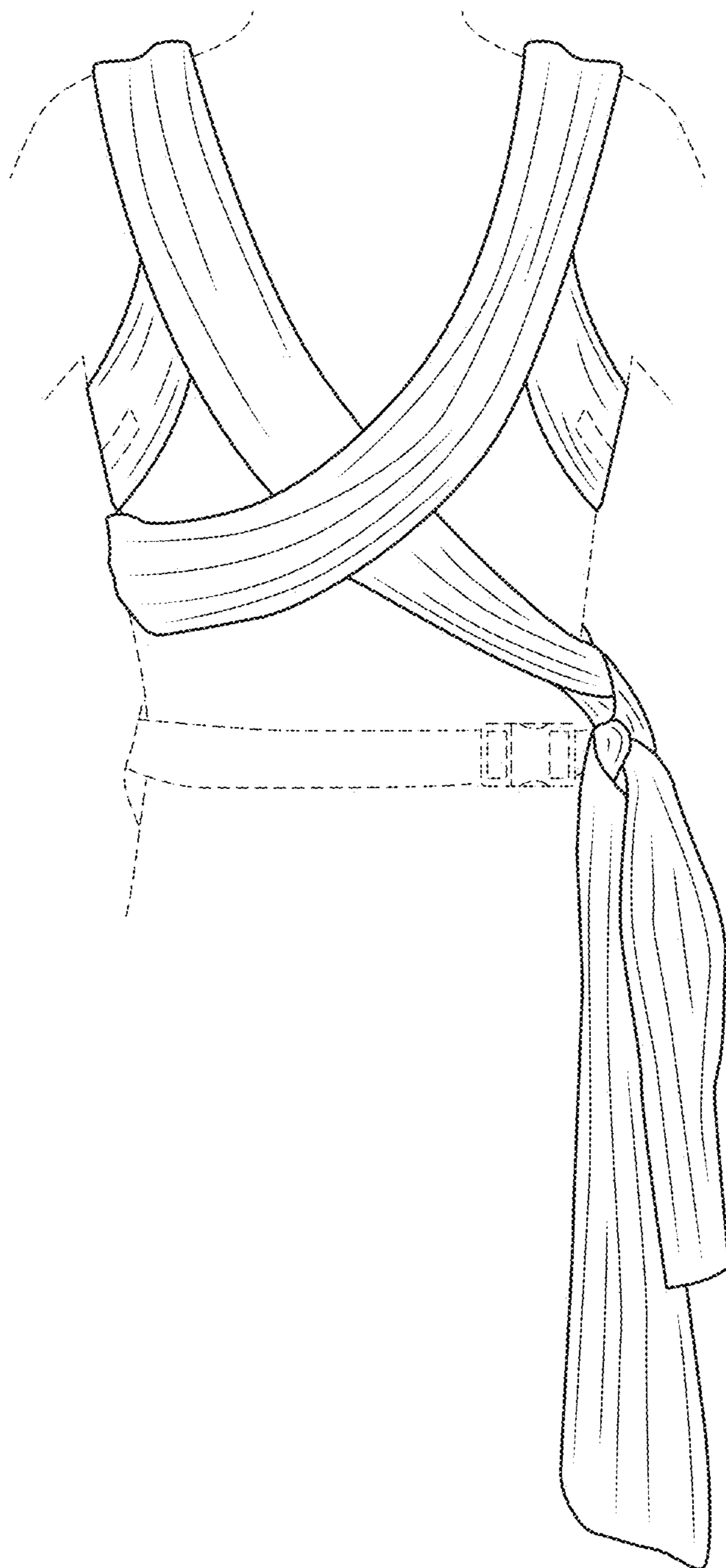


FIG.3

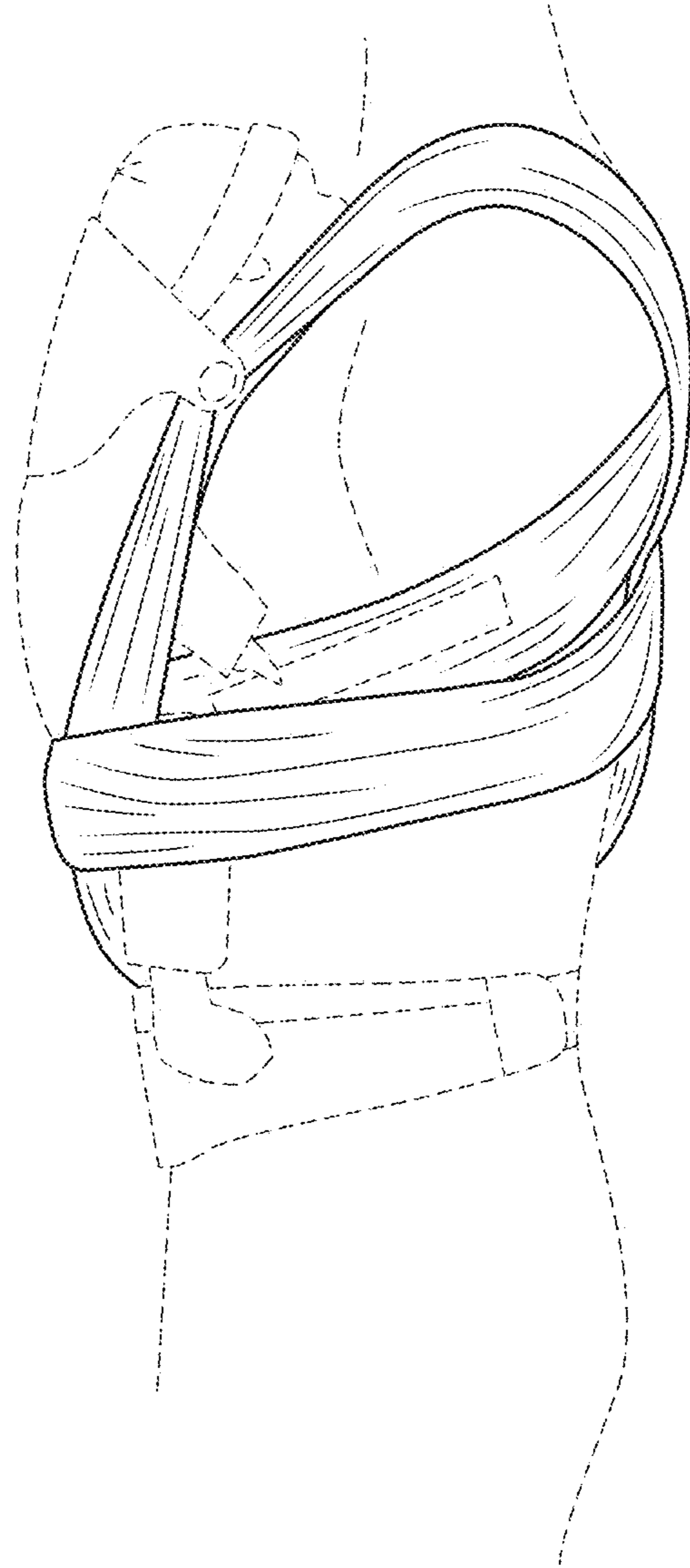


FIG.4

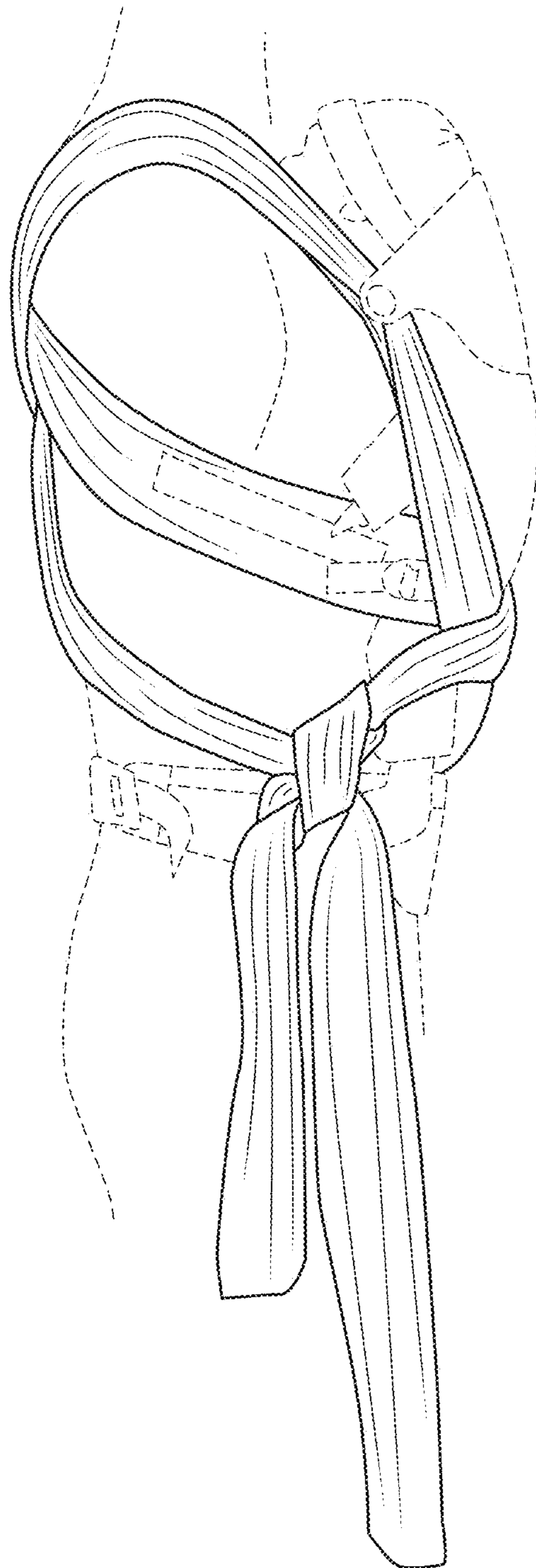


FIG.5



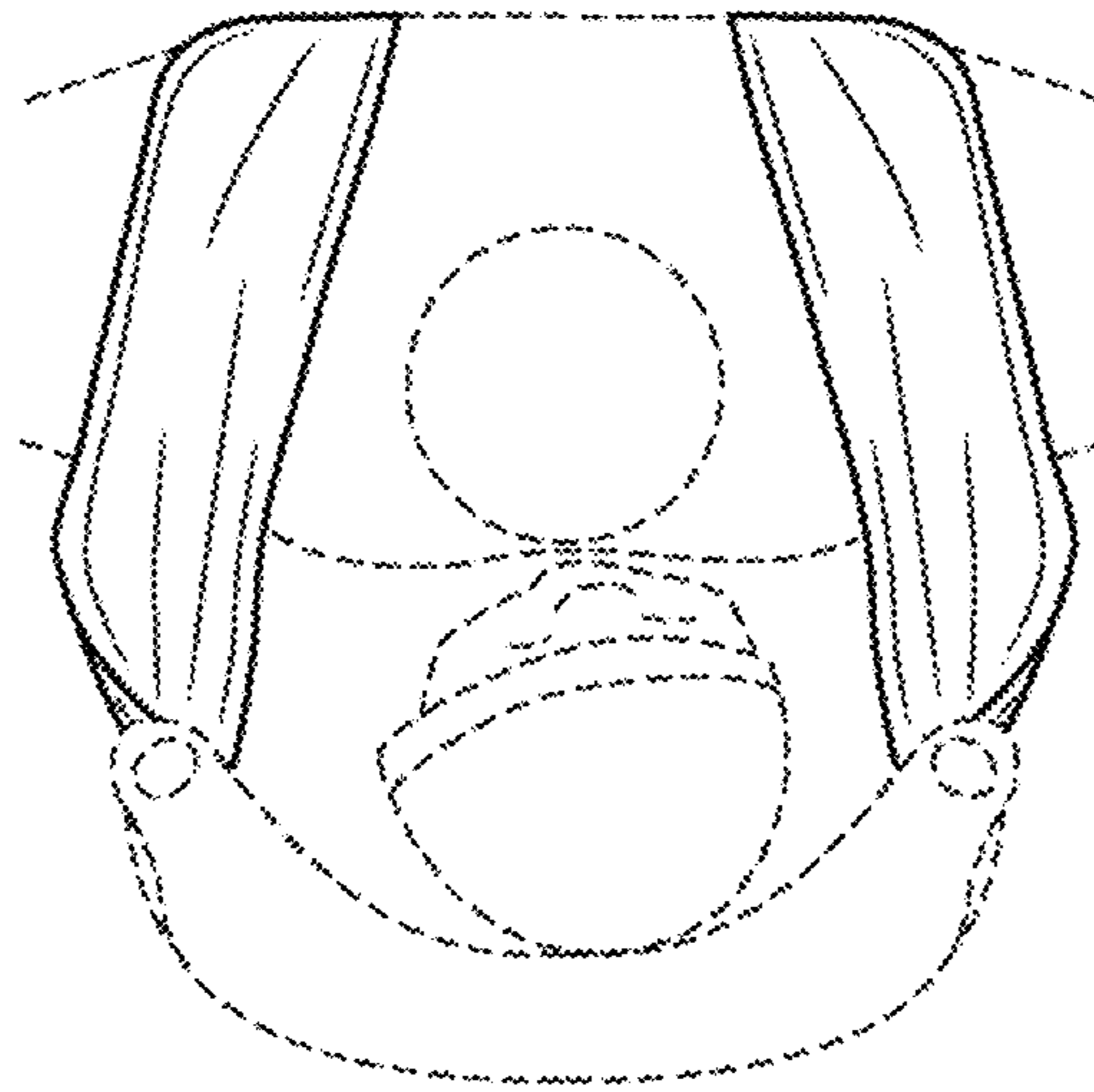


FIG.6

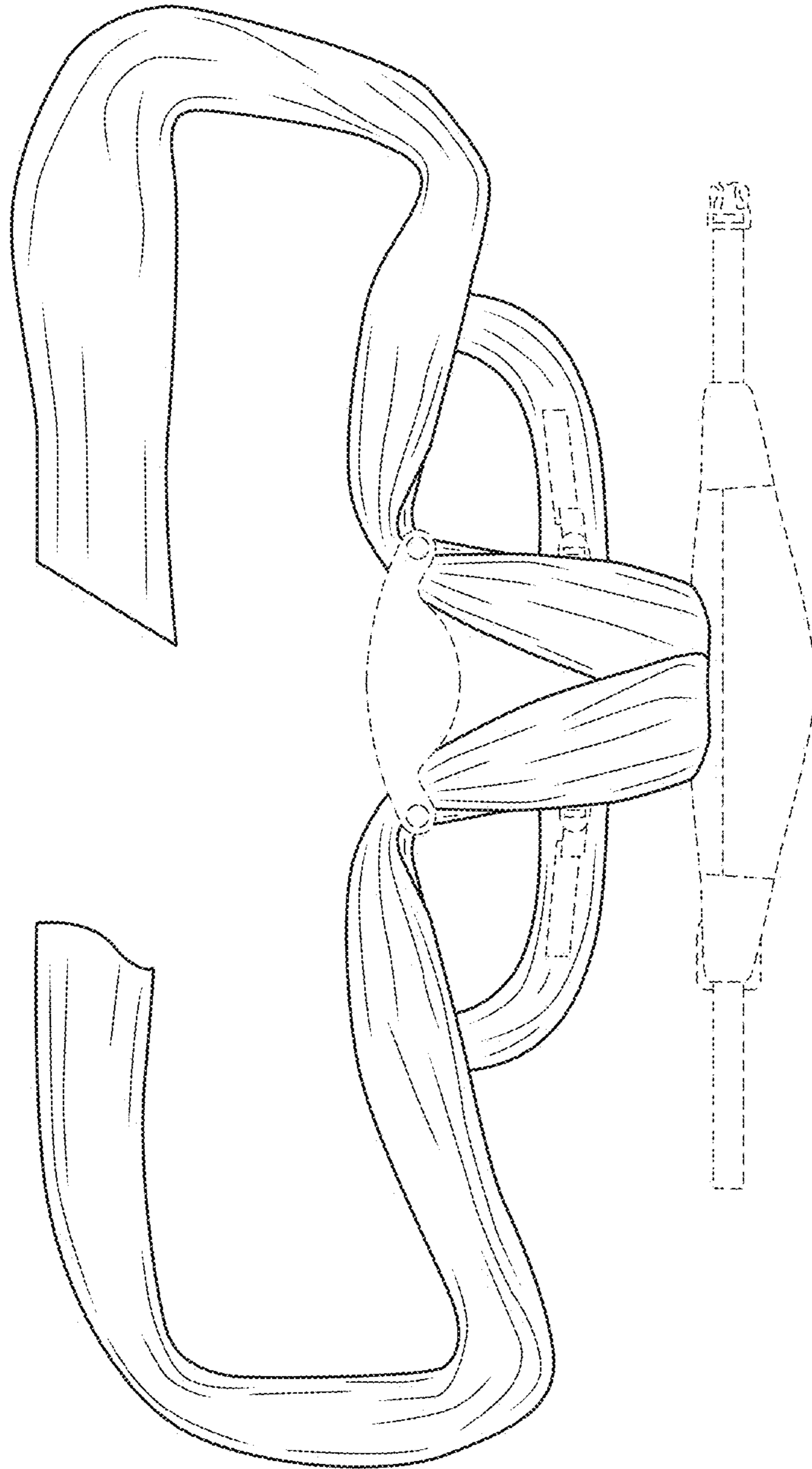


FIG. 7

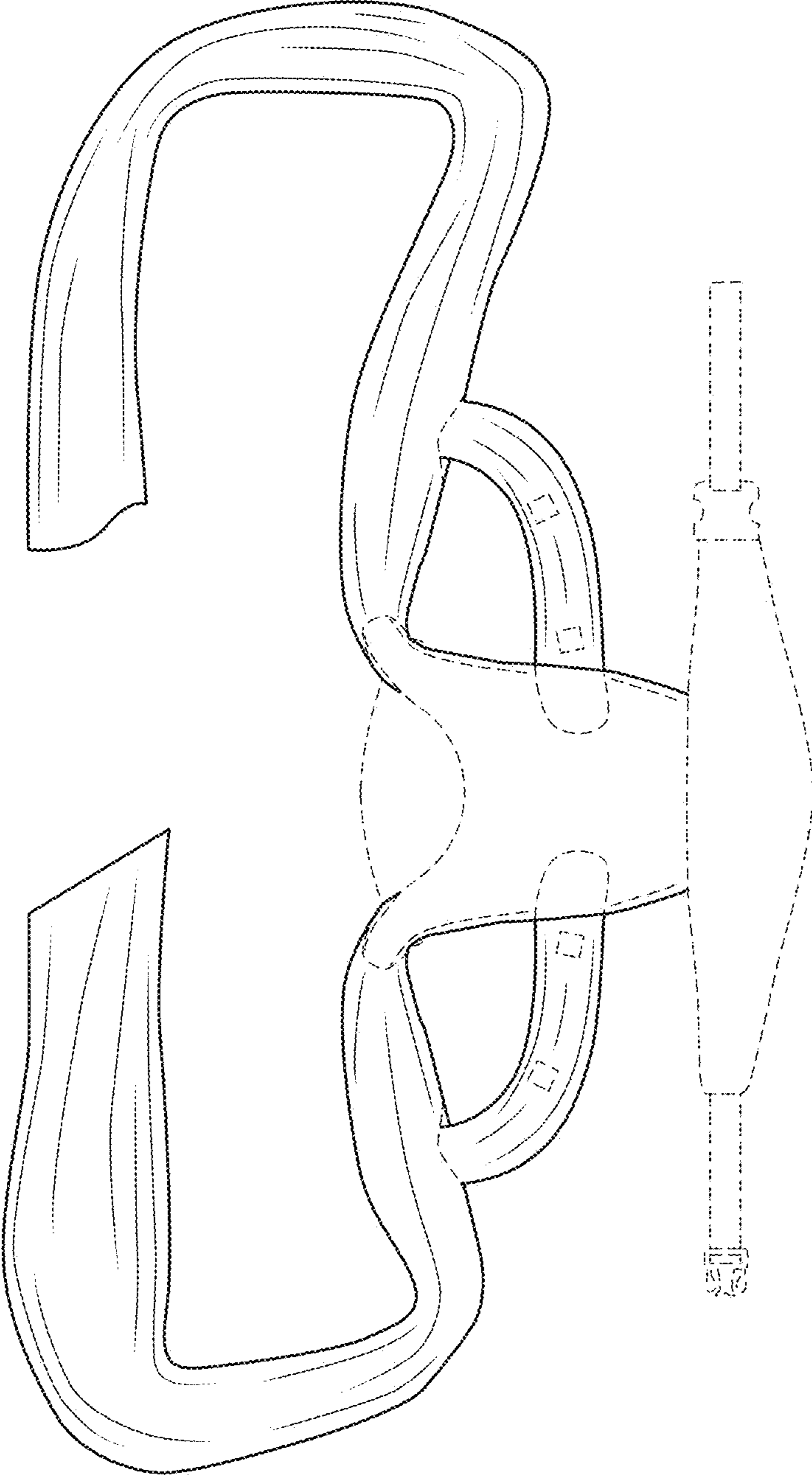


FIG.8