



US00D882241S

(12) **United States Design Patent** (10) **Patent No.:** **US D882,241 S**
Smith Swerdlow (45) **Date of Patent:** **** Apr. 28, 2020**

- (54) **WALKING CANE**
- (71) Applicant: **Aligned As Designed, LLC**, Los Angeles, CA (US)
- (72) Inventor: **Linda Smith Swerdlow**, Los Angeles, CA (US)
- (73) Assignee: **Aligned As Designed, LLC**, Los Angeles, CA (US)
- (**) Term: **15 Years**
- (21) Appl. No.: **29/669,072**
- (22) Filed: **Nov. 5, 2018**

4,493,334 A	1/1985	Semanchik et al.	
4,572,227 A	2/1986	Wheeler	
D283,370 S *	4/1986	Hill	D3/7
D290,784 S *	7/1987	Moshiri	D3/7
D324,944 S *	3/1992	Stupak	D3/7
5,103,850 A	4/1992	Davis	
5,139,040 A *	8/1992	Kelly	A61H 3/02 135/69
5,163,710 A *	11/1992	Chirtel	A63C 11/22 135/78
5,167,746 A	12/1992	Sheenan	
5,353,825 A	10/1994	Davis	
5,411,045 A	5/1995	Davis	
5,417,234 A	5/1995	Davis	

(Continued)

Related U.S. Application Data

- (63) Continuation of application No. 15/713,036, filed on Sep. 22, 2017, now Pat. No. 10,188,183.
- (51) **LOC (12) Cl.** **03-03**
- (52) **U.S. Cl.**
USPC **D3/7**
- (58) **Field of Classification Search**
USPC D3/5, 6, 7, 8, 9, 10
CPC A45B 1/00; A45B 3/00; A45B 7/00; A45B 9/00; A45B 2009/005; A45B 9/02; A45B 2200/05
See application file for complete search history.

References Cited

U.S. PATENT DOCUMENTS

- (56) 1,050,124 A * 1/1913 Greeno et al. A45B 3/00
135/66
- 2,417,171 A 3/1947 McGowan
- 3,040,757 A 6/1962 Smith
- 3,150,672 A 9/1964 Johnson, Jr.
- 3,517,678 A 6/1970 Gilsdorf
- 4,098,283 A 7/1978 Trittle, Jr.
- 4,135,536 A 1/1979 Willis

OTHER PUBLICATIONS

Search Report and Written Opinion dated Nov. 2, 2018 for PCT Application No. PCT/US18/52203, 13 pages.
(Continued)

Primary Examiner — Steven J Czyz
(74) *Attorney, Agent, or Firm* — Patterson Thuente Pedersen, P.A.

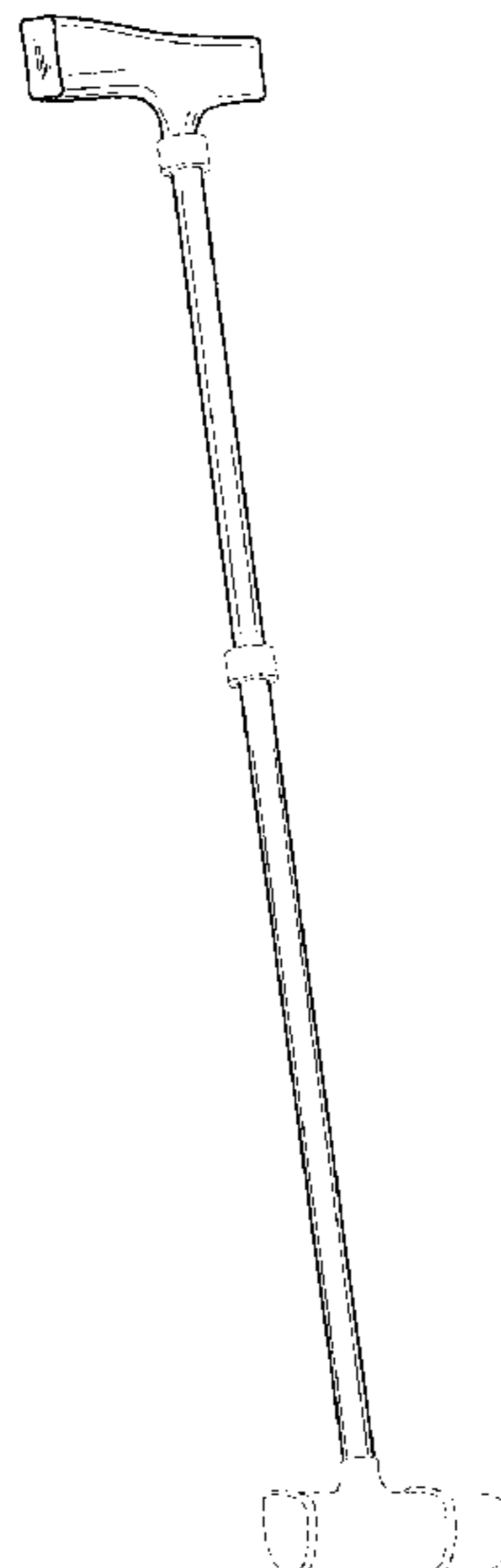
(57) **CLAIM**

I claim the ornamental design for walking cane, as shown and described.

DESCRIPTION

FIG. 1 is an isometric view of a walking cane.
FIG. 2 is a right side elevational view thereof.
FIG. 3 is a left side elevational view thereof.
FIG. 4 is a front elevational view thereof.
FIG. 5 is a rear elevational view thereof.
FIG. 6 is a top plan view thereof; and,
FIG. 7 is a bottom plan view thereof.
The broken lines depict portions of the article that form no part of the claimed design.

1 Claim, 3 Drawing Sheets



(56)

References Cited

U.S. PATENT DOCUMENTS

5,582,196 A * 12/1996 Hae A45B 3/00
 135/65
 D427,763 S * 7/2000 Kikuchi D3/7
 D441,950 S * 5/2001 Suen D3/7
 D442,123 S * 5/2001 Johnston D12/133
 6,374,841 B1 4/2002 Yamamoto et al.
 6,527,001 B1 3/2003 Saldan et al.
 6,851,438 B2 2/2005 Battiston
 D511,889 S 11/2005 Cockrell
 D515,802 S * 2/2006 Grierson D3/7
 D552,245 S * 10/2007 Davis D24/188
 D552,340 S * 10/2007 Graves D3/7
 D555,350 S * 11/2007 Graves D3/7
 7,360,547 B2 * 4/2008 Carlson A45B 9/04
 135/66
 7,374,216 B2 * 5/2008 Rousey A45B 3/00
 294/209
 D570,094 S 6/2008 Wainwright
 D587,894 S 3/2009 Wainwright
 D627,149 S * 11/2010 Wu D3/12
 D632,476 S 2/2011 Owens et al.
 8,439,056 B2 * 5/2013 Shyu A45B 3/00
 135/17
 8,499,776 B2 * 8/2013 Ban A45B 3/00
 135/65
 D690,927 S * 10/2013 Jones D3/7
 D693,565 S * 11/2013 Chan D3/7
 D698,140 S * 1/2014 Parker D3/13
 8,778,031 B1 7/2014 Latour, Jr. et al.
 D734,020 S * 7/2015 Chisum D3/7
 D740,015 S * 10/2015 Berberian D3/7
 D740,543 S * 10/2015 Winters D3/5
 D742,111 S * 11/2015 Diamond D3/7
 D747,867 S * 1/2016 Woodall D3/16
 9,226,555 B1 * 1/2016 Shyu A45B 3/04
 9,358,176 B1 6/2016 Vaeth
 D761,549 S * 7/2016 Pepper D3/7
 9,386,830 B2 * 7/2016 Crowhurst A45B 9/00
 9,512,865 B2 * 12/2016 Wang F16B 7/105
 D789,073 S * 6/2017 Wu D3/9
 9,681,714 B1 6/2017 Yeh
 9,723,901 B1 * 8/2017 Ober A45B 9/04

D807,022 S * 1/2018 Conley D3/7
 9,918,893 B1 3/2018 Wanderman
 9,974,367 B2 5/2018 Liu
 10,004,306 B1 * 6/2018 Randel, Jr. A45B 3/14
 10,105,278 B2 * 10/2018 Bernhardt A61H 3/02
 10,188,183 B1 * 1/2019 Swerdlow A45B 9/04
 10,206,467 B1 * 2/2019 Swerdlow A45B 9/04
 2003/0106576 A1 * 6/2003 Tunnell, Jr. A61H 3/02
 135/68
 2006/0081279 A1 * 4/2006 Carlson A45B 9/04
 135/65
 2007/0106397 A1 5/2007 Townsend et al.
 2008/0035190 A1 2/2008 Baker
 2008/0035193 A1 2/2008 Baker
 2008/0163914 A1 7/2008 Weber et al.
 2008/0173340 A1 7/2008 Robbins
 2008/0251109 A1 * 10/2008 Lee A45B 3/00
 135/66
 2008/0289671 A1 * 11/2008 Chiu A45B 9/00
 135/65
 2009/0255562 A1 * 10/2009 Ruddy A45B 9/04
 135/77
 2010/0229903 A1 * 9/2010 Ozuna A45B 9/04
 135/73
 2011/0271990 A1 * 11/2011 Diamond A45B 3/02
 135/65
 2013/0152986 A1 6/2013 Hunter
 2014/0332045 A1 * 11/2014 Rudin A45B 7/005
 135/82
 2016/0150859 A1 * 6/2016 Osman A61H 3/068
 135/77
 2017/0181918 A1 6/2017 Weber et al.
 2017/0208910 A1 7/2017 Liu

OTHER PUBLICATIONS

Application and File history for U.S. Appl. No. 15/972,876, filed May 7, 2018. Inventor: Swerdlow.
 Application and File history for U.S. Appl. No. 15/713,036, filed Sep. 22, 2017. Inventor: Swerdlow.
 Office Action dated May 7, 2019 for Canadian Application No. 3,036,686, 4 pages.

* cited by examiner

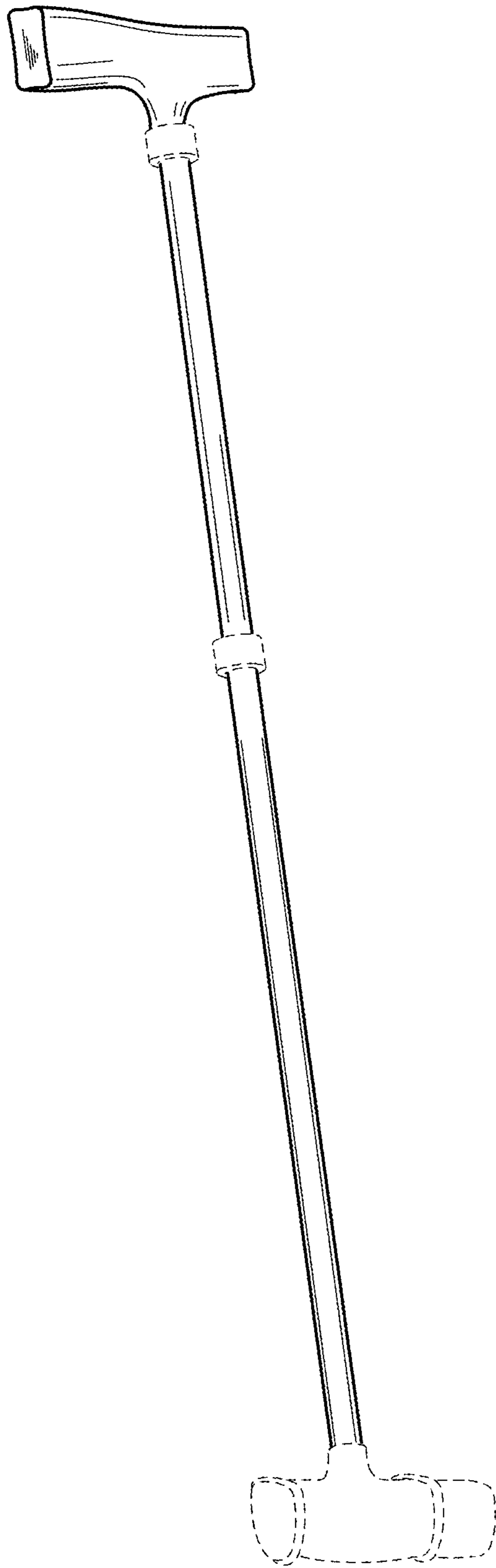


FIG. 1

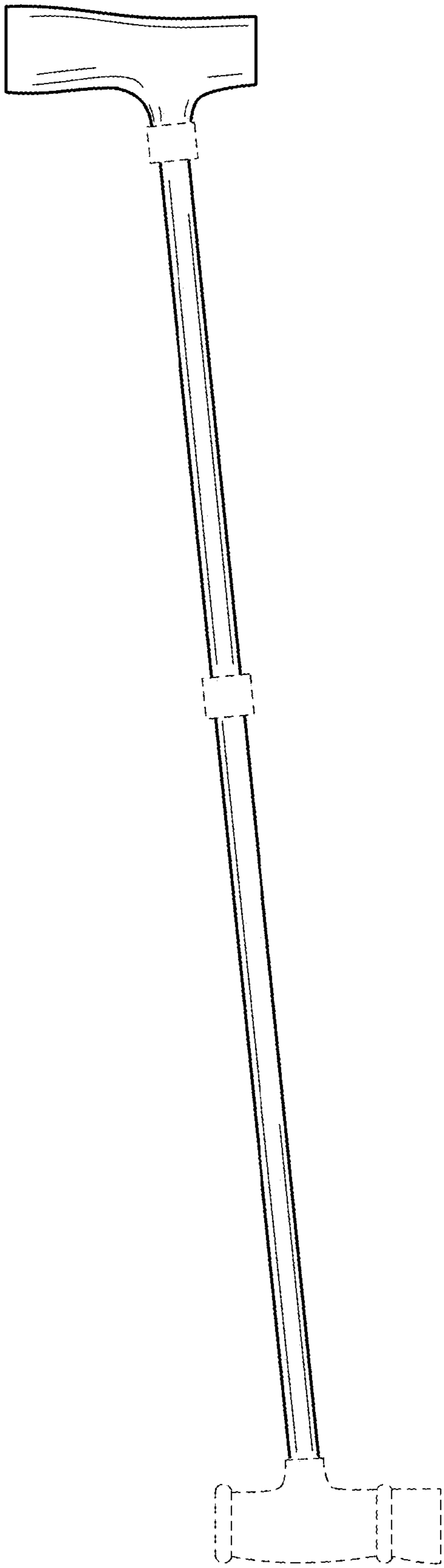


FIG. 2

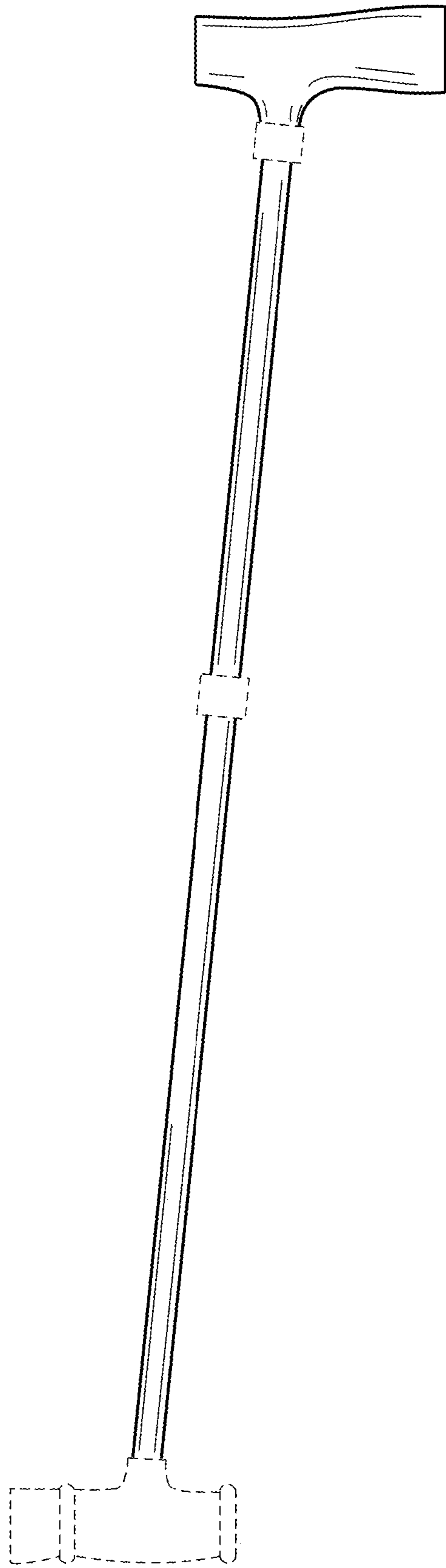


FIG. 3

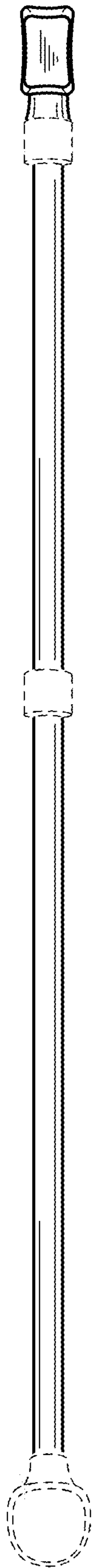


FIG. 4

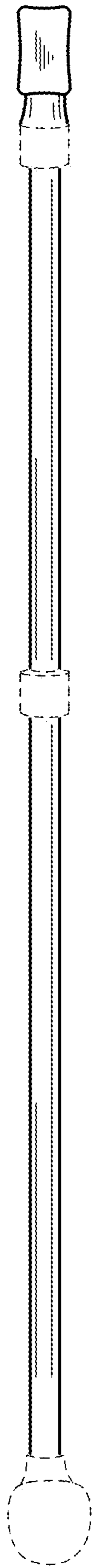


FIG. 5

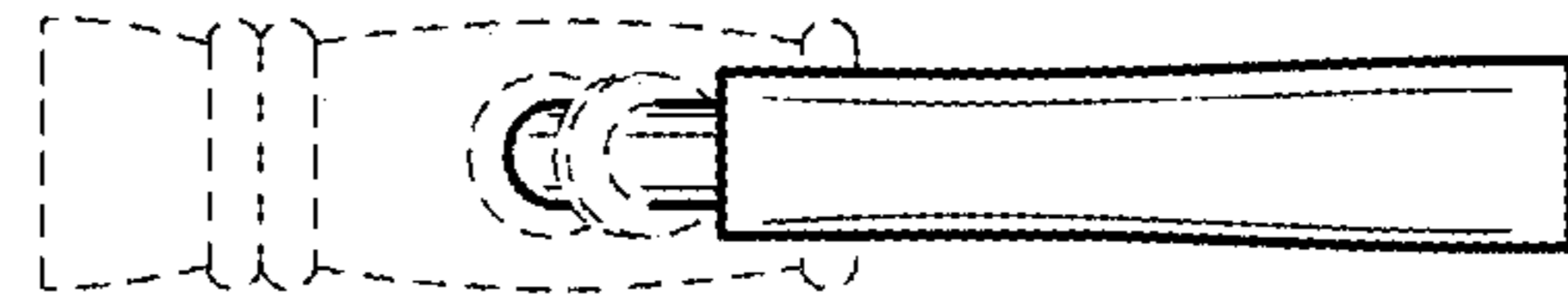


FIG. 6

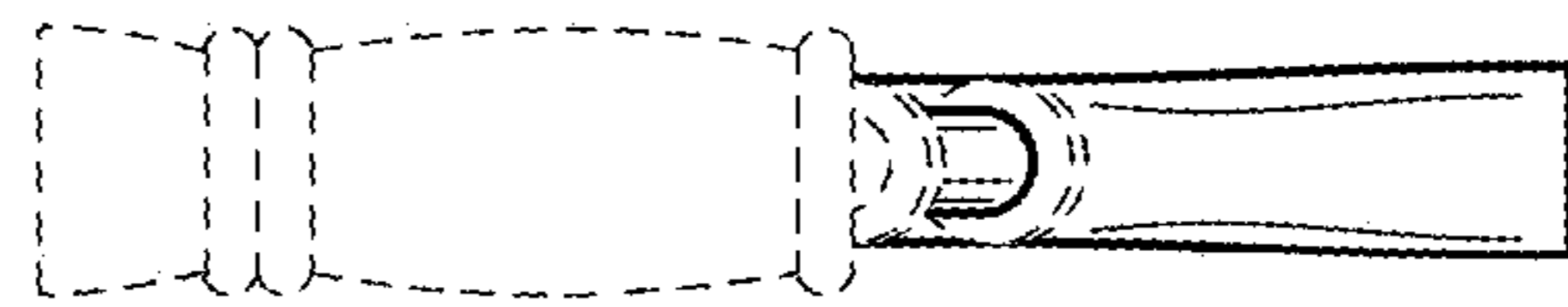


FIG. 7