



US00D882216S

(12) **United States Design Patent**  
**Zhang**

(10) **Patent No.:** **US D882,216 S**

(45) **Date of Patent:** **\*\* Apr. 28, 2020**

(54) **SNOW BOOT**

(71) Applicant: **Zaifa Zhang**, Fujian (CN)

(72) Inventor: **Zaifa Zhang**, Fujian (CN)

(\*\*) Term: **15 Years**

(21) Appl. No.: **29/671,129**

(22) Filed: **Nov. 23, 2018**

(51) **LOC (12) Cl.** ..... **02-04**

(52) **U.S. Cl.**  
USPC ..... **D2/910; D2/960**

(58) **Field of Classification Search**  
USPC ..... D2/896-900, 909-912, 943, 946, 947,  
D2/960, 969, 970, 972

CPC ..... A43C 1/00; A43C 11/004; A43B 3/16;  
A43B 23/00

See application file for complete search history.

(56) **References Cited**

**U.S. PATENT DOCUMENTS**

- 4,512,089 A \* 4/1985 Carrier ..... A43B 7/34  
36/112
- D304,125 S \* 10/1989 Kushitani ..... D2/912

- D315,823 S \* 4/1991 Signori ..... D2/910
- D517,791 S \* 3/2006 Sedlbauer ..... A43B 7/34  
D2/970
- D519,722 S \* 5/2006 Mazzarolo ..... D2/909
- D520,219 S \* 5/2006 Mazzarolo ..... D2/909
- D542,483 S \* 5/2007 Maloney ..... D30/146
- D579,647 S \* 11/2008 Schoenborn ..... D2/970
- D812,359 S \* 3/2018 Clough ..... D2/970
- D838,455 S \* 1/2019 Strother ..... D2/970

\* cited by examiner

*Primary Examiner* — Rashida C. Walshon

(57) **CLAIM**

The ornamental design for a snow boot, as shown and described.

**DESCRIPTION**

FIG. 1 is a perspective view of a snow boot showing my new design;

FIG. 2 is a front view thereof;

FIG. 3 is a rear view thereof;

FIG. 4 is a side view thereof;

FIG. 5 is an opposite side view thereof;

FIG. 6 is a top view thereof; and,

FIG. 7 is a bottom view thereof.

The broken lines in the figures show portions of the snow boot that form no part of the claimed design.

**1 Claim, 7 Drawing Sheets**

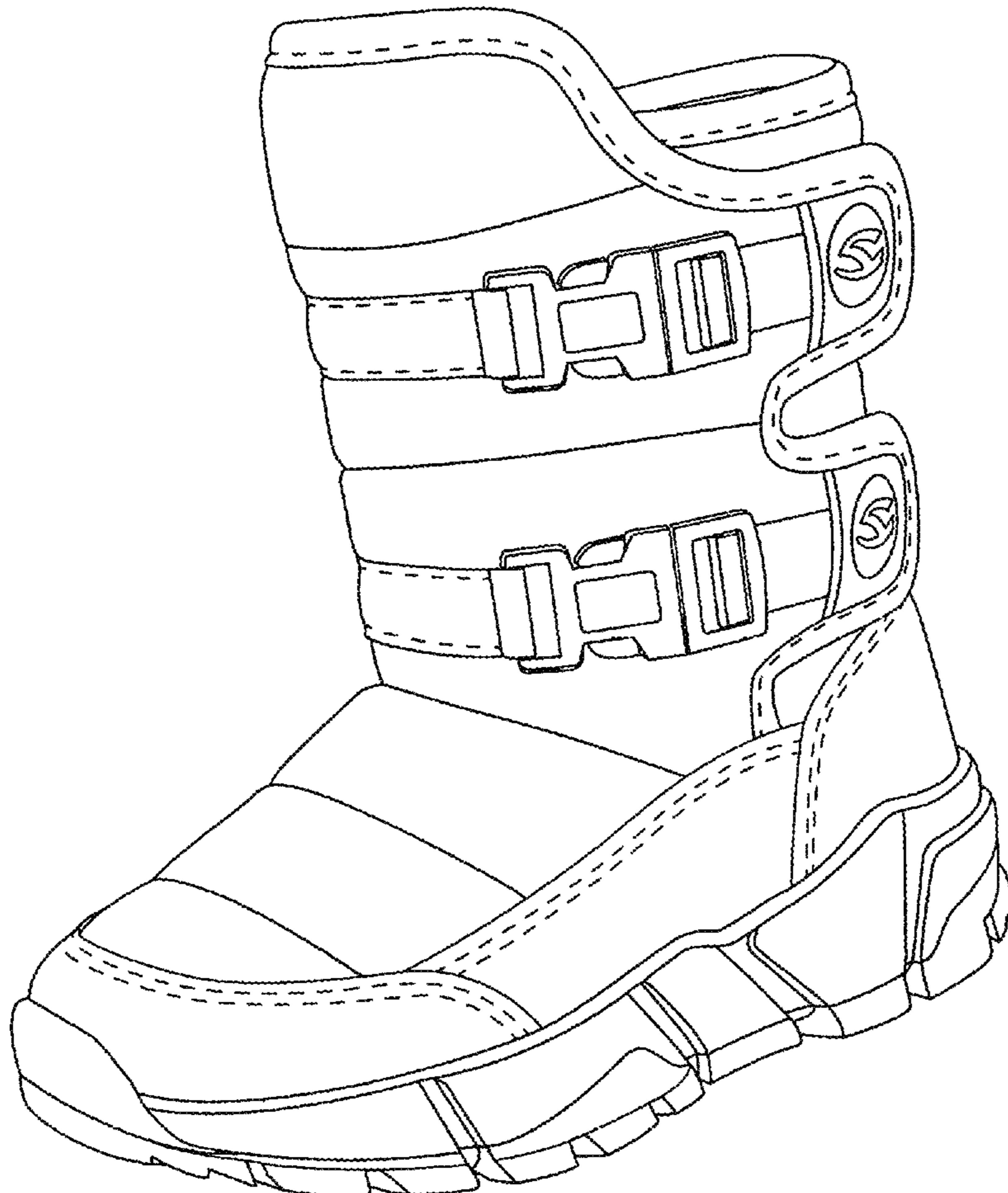




FIG.1

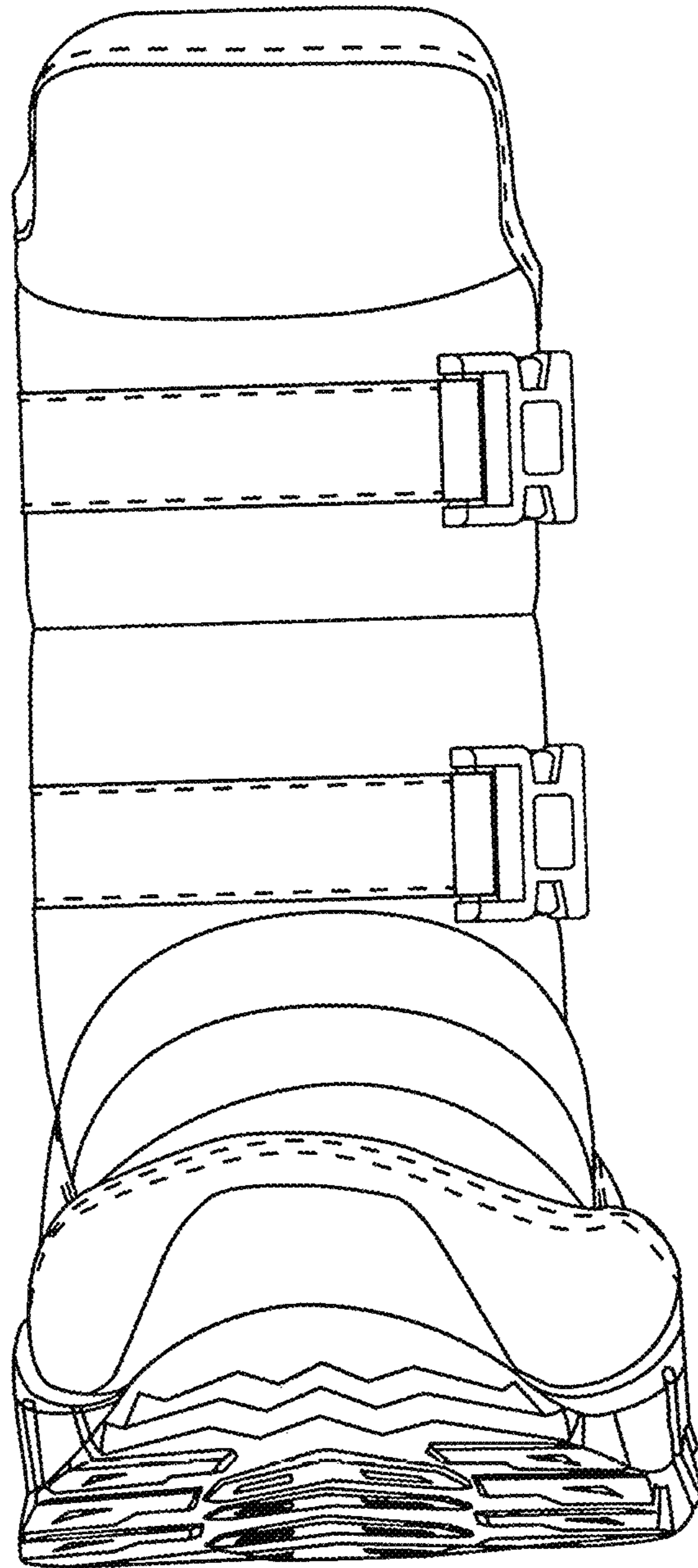


FIG.2

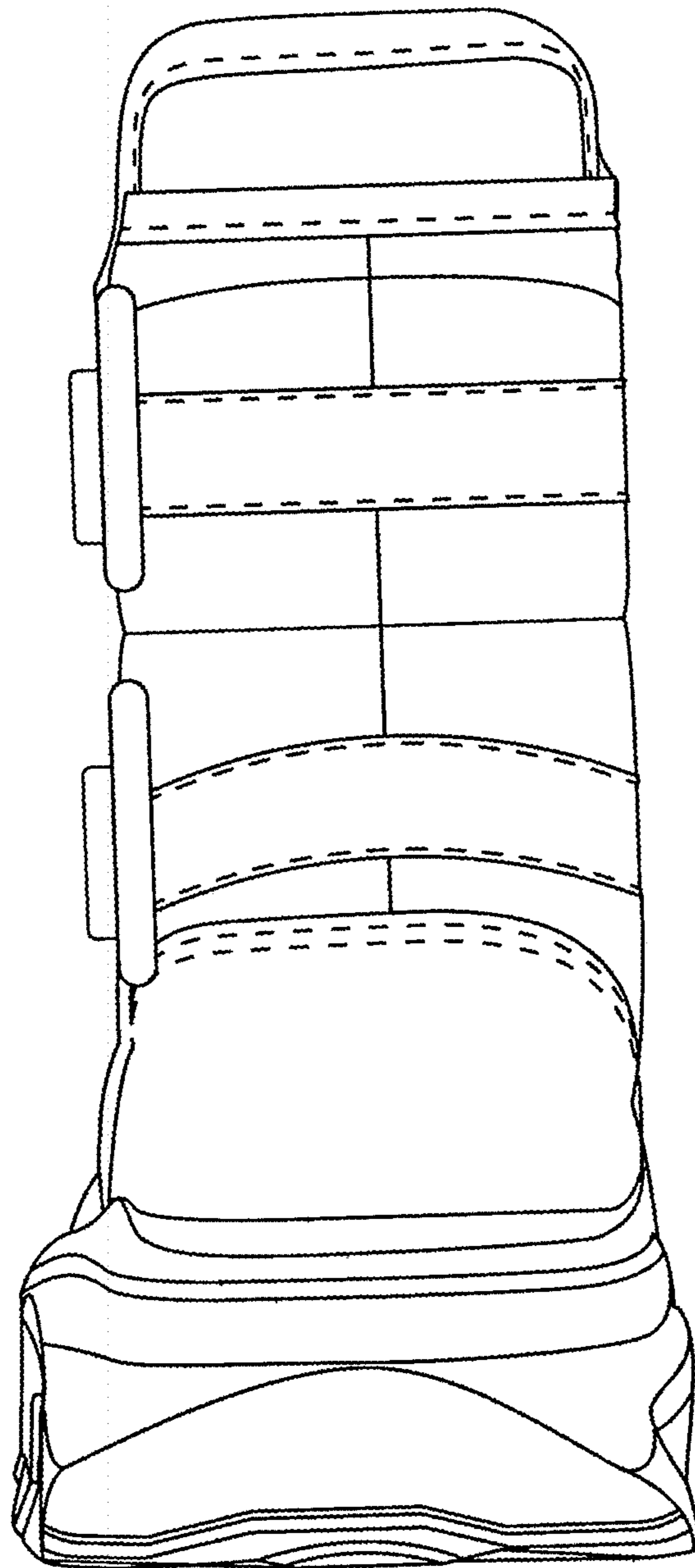


FIG.3



FIG.4



FIG. 5

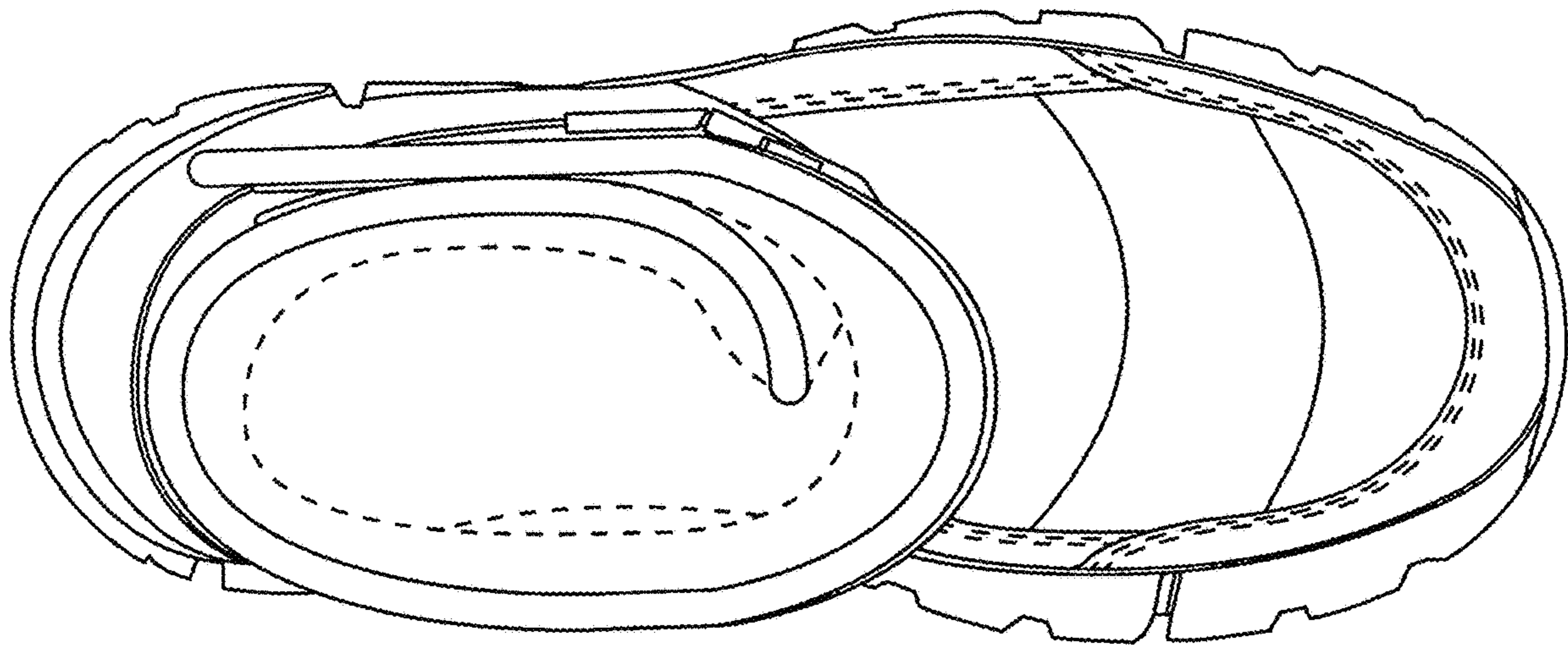


FIG.6

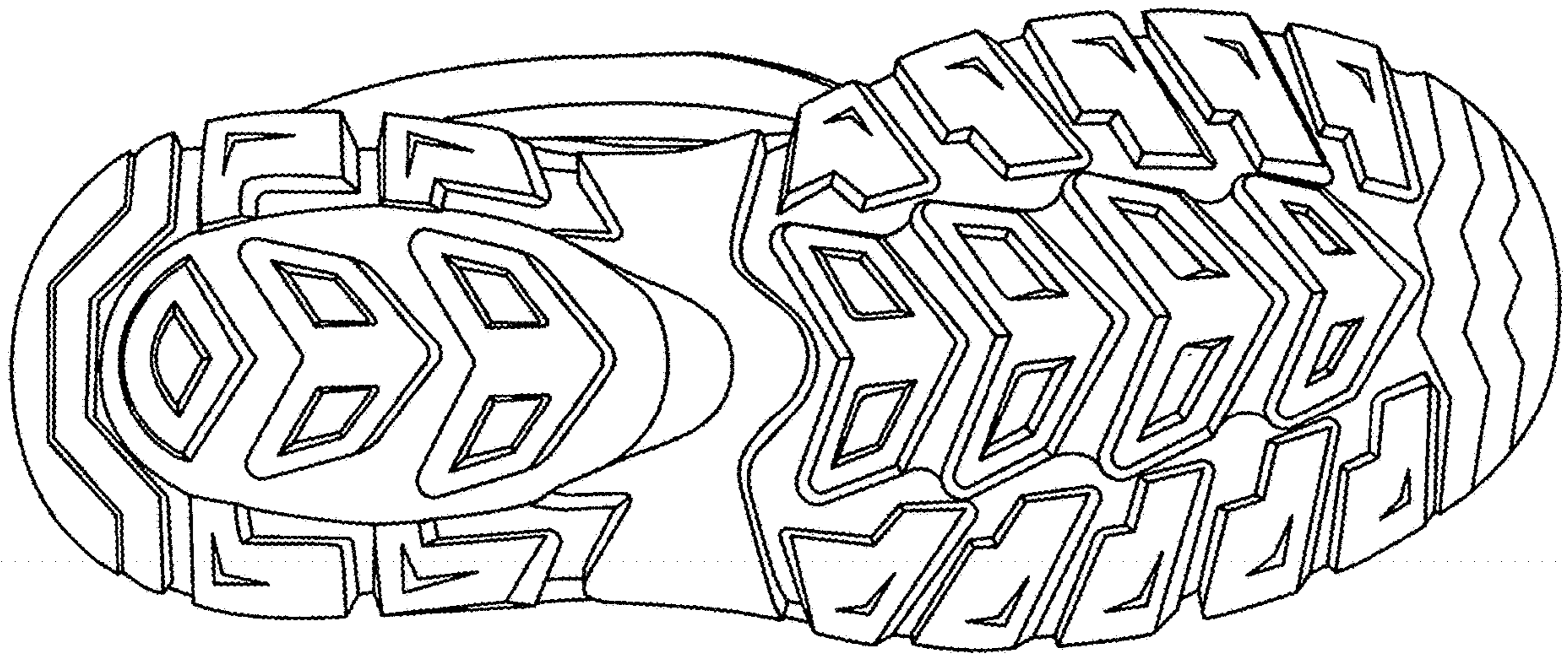


FIG. 7