



US00D882204S

(12) **United States Design Patent** (10) **Patent No.:** **US D882,204 S**
Wenjing et al. (45) **Date of Patent:** **** Apr. 21, 2020**

(54) **PERSONNEL LIFT VEHICLE**

(56) **References Cited**

(71) Applicant: **Zhejiang E-P Equipment Co., Ltd.**,
Huzhou (CN)

U.S. PATENT DOCUMENTS

(72) Inventors: **Wu Wenjing**, Huzhou (CN); **Xu Hongpeng**, Huzhou (CN); **Xu Linjie**,
Huzhou (CN)

D409,349 S *	5/1999	Bidwell	D12/1
D424,777 S *	5/2000	Bidwell	D34/34
D579,621 S *	10/2008	Babel	D34/34
D730,614 S *	5/2015	Wu	D34/34
D733,389 S *	6/2015	Wu	D34/34
D733,390 S *	6/2015	Wu	D34/34
D734,589 S *	7/2015	Wu	D34/34
10,160,629 B2 *	12/2018	Wenjing	B66F 11/04

(73) Assignee: **Zhejiang E-P Equipment Co., Ltd.**
(CN)

* cited by examiner

(**) Term: **15 Years**

Primary Examiner — Gino Colan

(21) Appl. No.: **29/722,388**

(74) *Attorney, Agent, or Firm* — Cook Alex Ltd.

(22) Filed: **Jan. 29, 2020**

(57) **CLAIM**

We claim the ornamental design for a personnel lift device,
as shown and described.

DESCRIPTION

Related U.S. Application Data

(62) Division of application No. 29/641,691, filed on Mar.
23, 2018.

(51) **LOC (12) Cl.** **12-05**

(52) **U.S. Cl.**
USPC **D34/34**

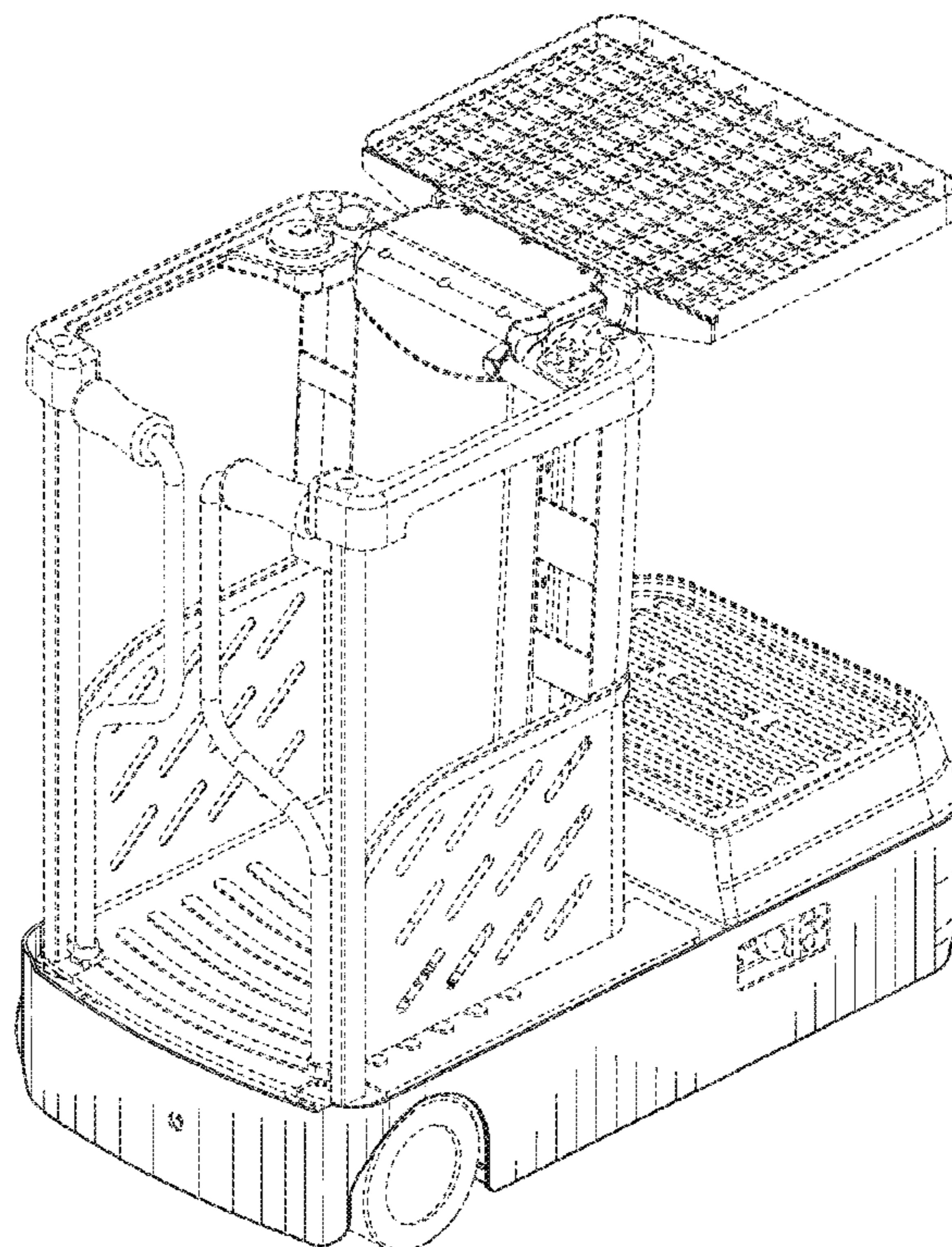
(58) **Field of Classification Search**
USPC D34/28, 32, 30, 33, 34, 35, 36, 37;
182/69.6, 141, 222, 14, 148, 19
CPC B66F 11/04; B66F 11/044; B66F 17/006;
B66F 9/127; B66F 11/046; B66F 9/0655;
B66F 9/12; B66B 9/16

See application file for complete search history.

FIG. 1 is a left rear perspective view of a personnel lift device showing our new design;
FIG. 2 is a right rear perspective view thereof;
FIG. 3 is a left front perspective view thereof;
FIG. 4 is a right front perspective view thereof;
FIG. 5 is a right side elevational view thereof;
FIG. 6 is a left side elevational view thereof;
FIG. 7 is a front elevational view thereof;
FIG. 8 is a rear elevational view thereof;
FIG. 9 is a top plan view thereof; and,
FIG. 10 is a bottom plan view thereof.

The broken lines shown in the figures are for the purpose of illustrating portions of the personnel lift vehicle and form no part of the claimed design.

1 Claim, 10 Drawing Sheets



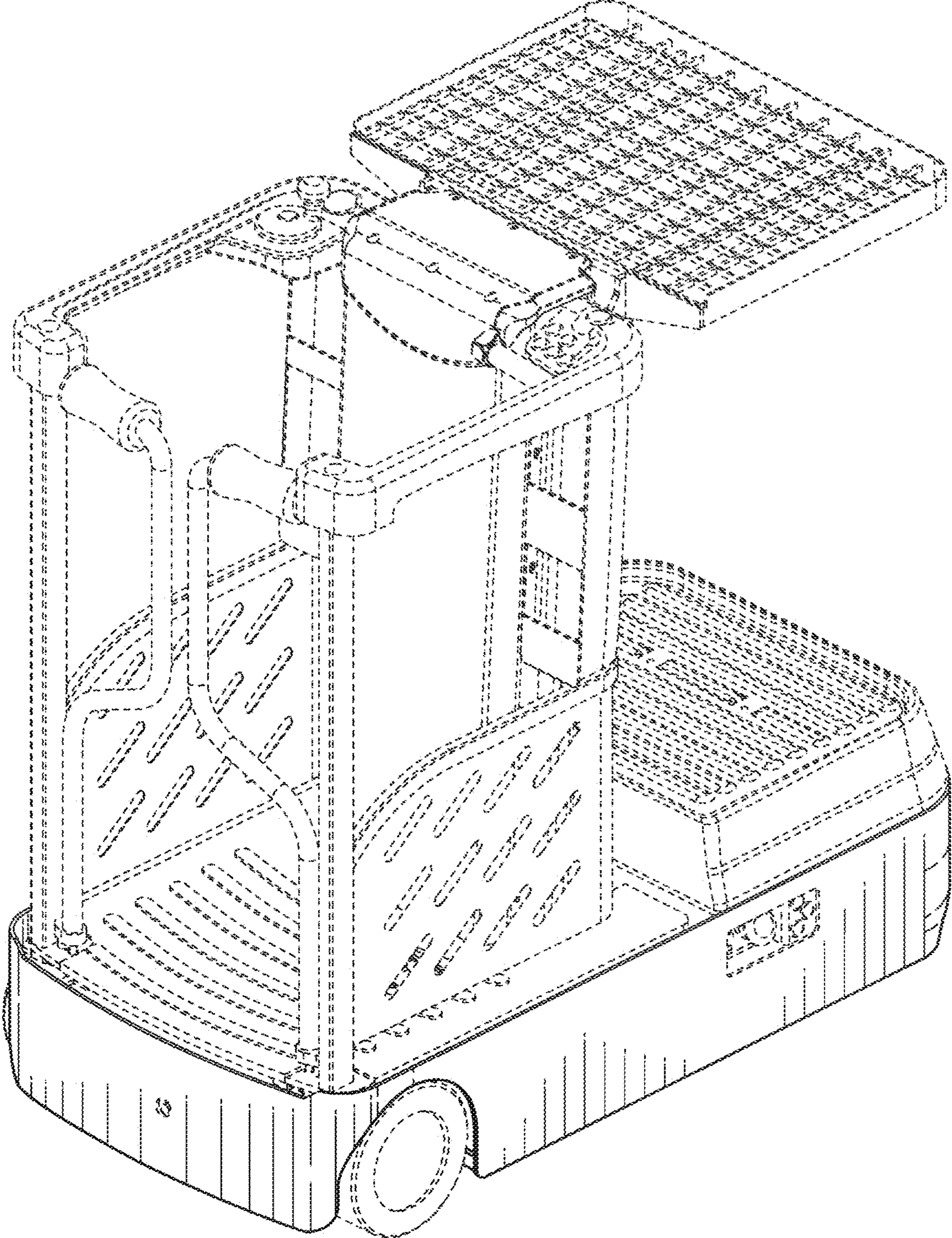


FIG. 1

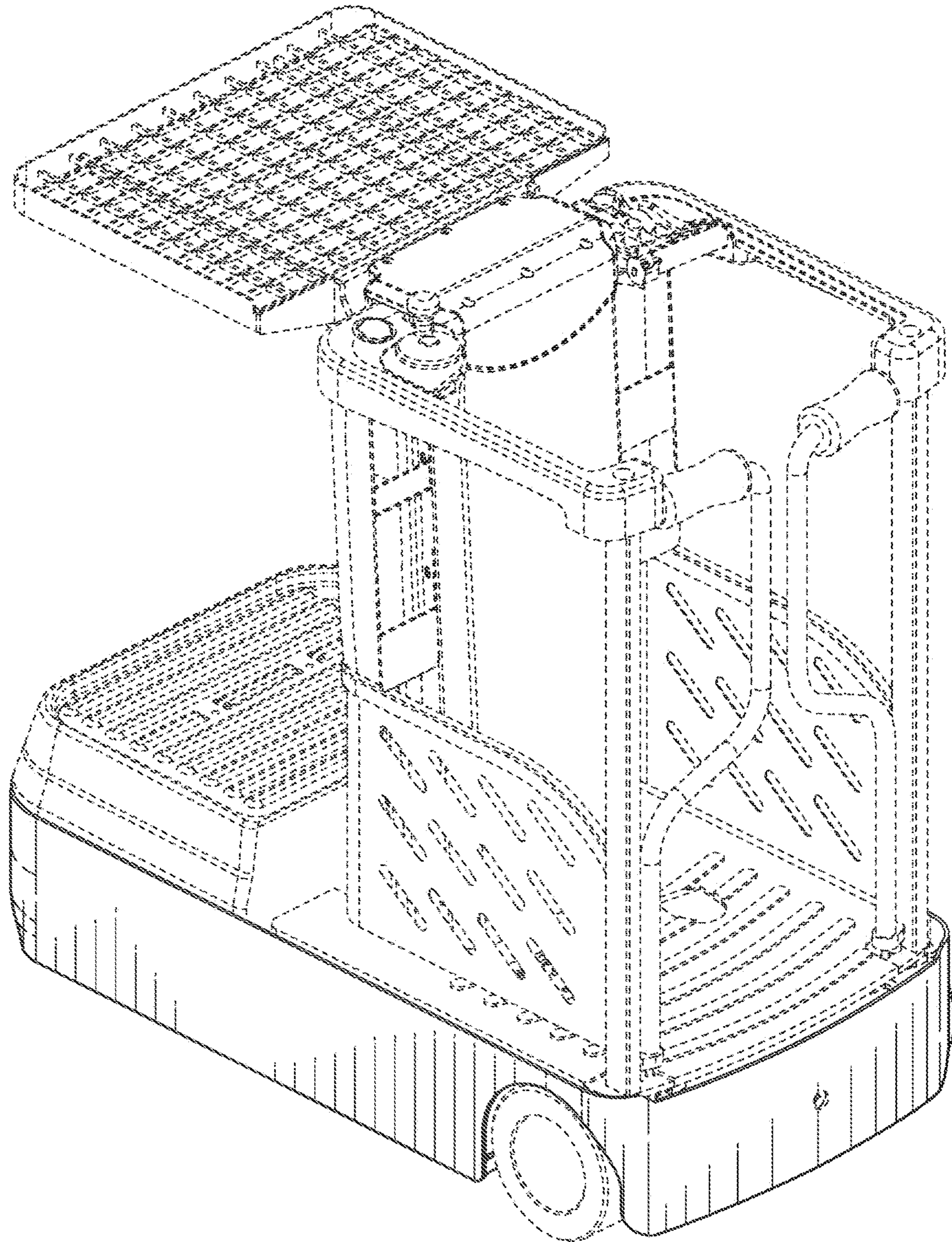


FIG. 2

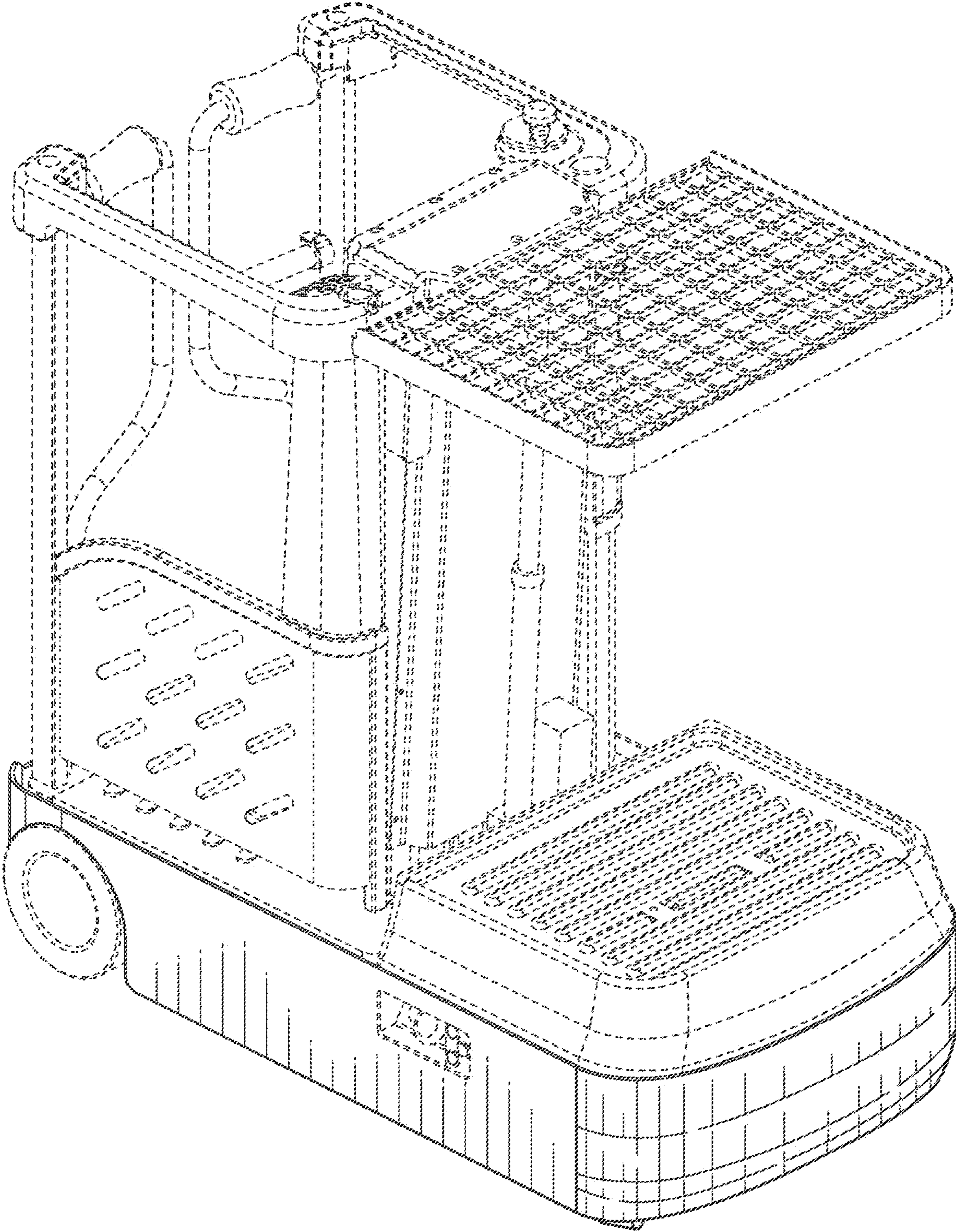


FIG. 3

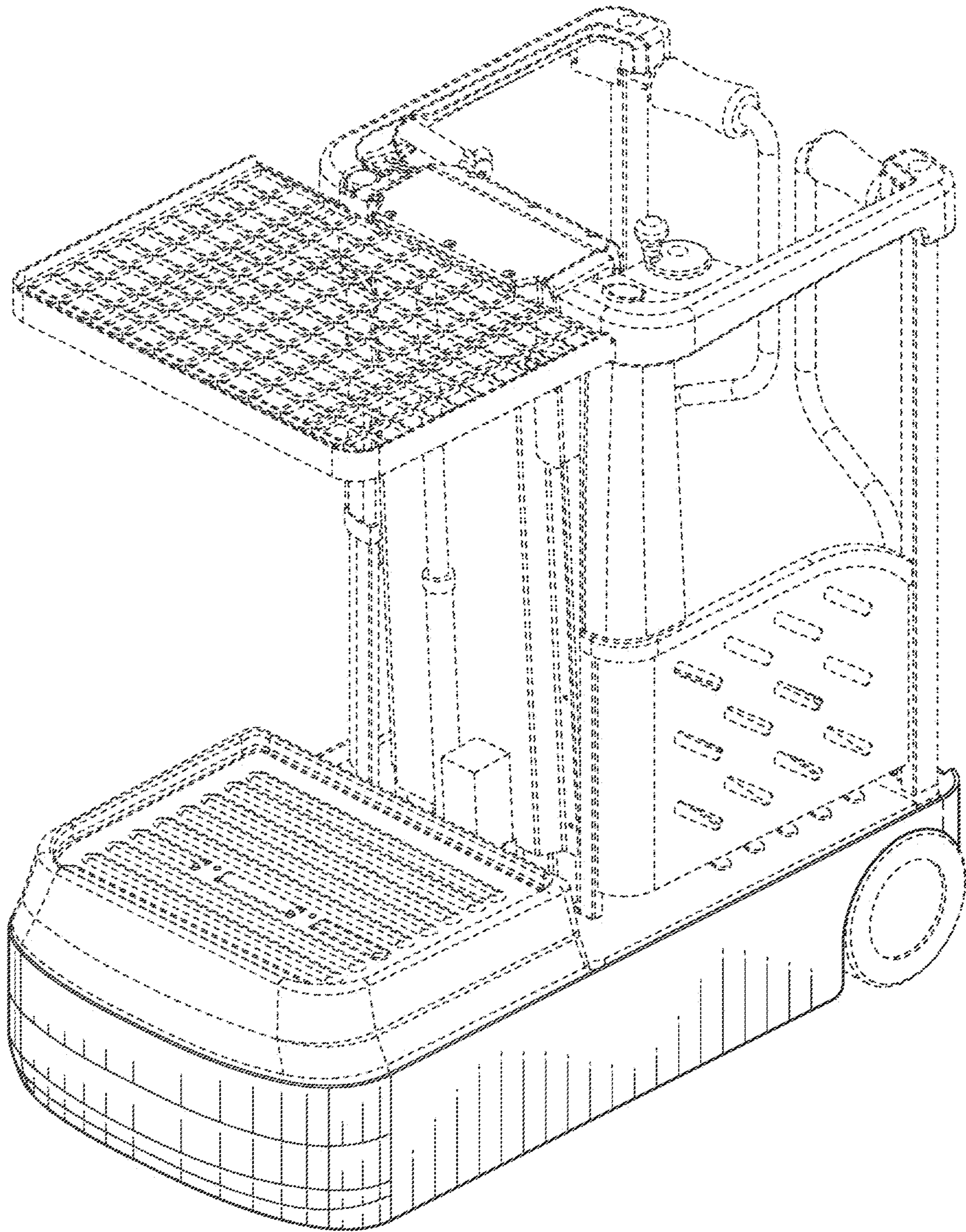


FIG. 4

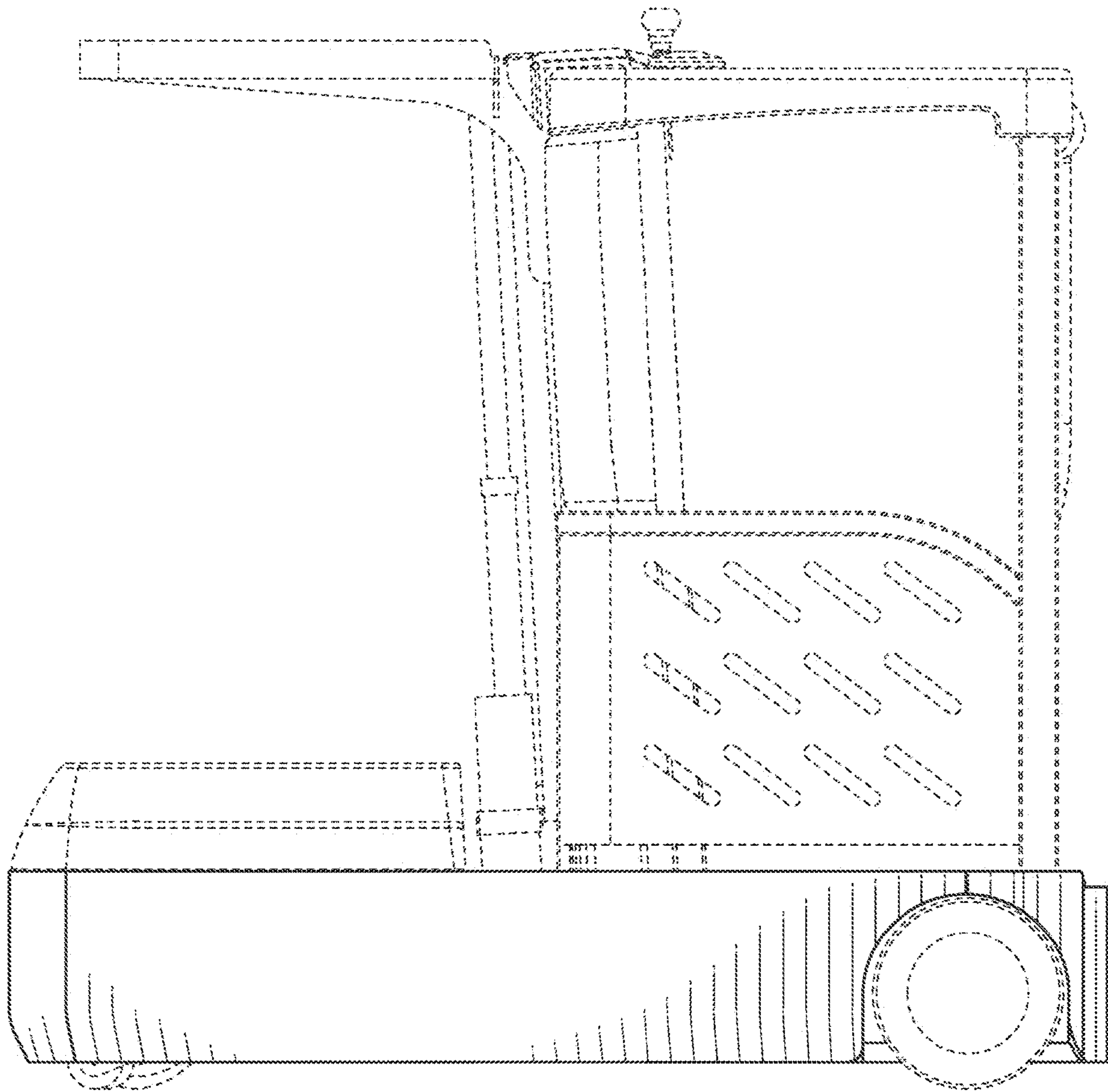


FIG. 5

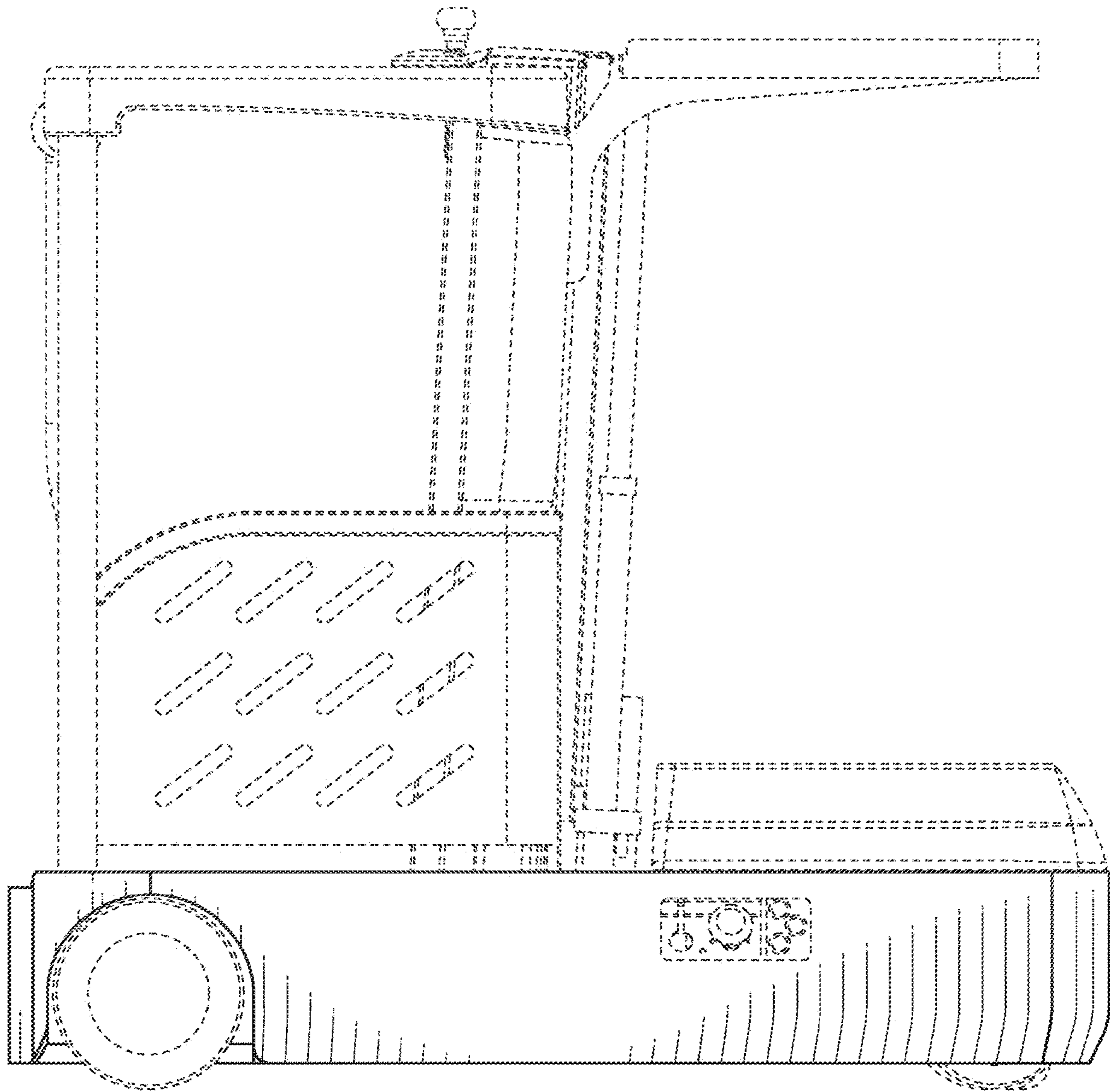


FIG. 6

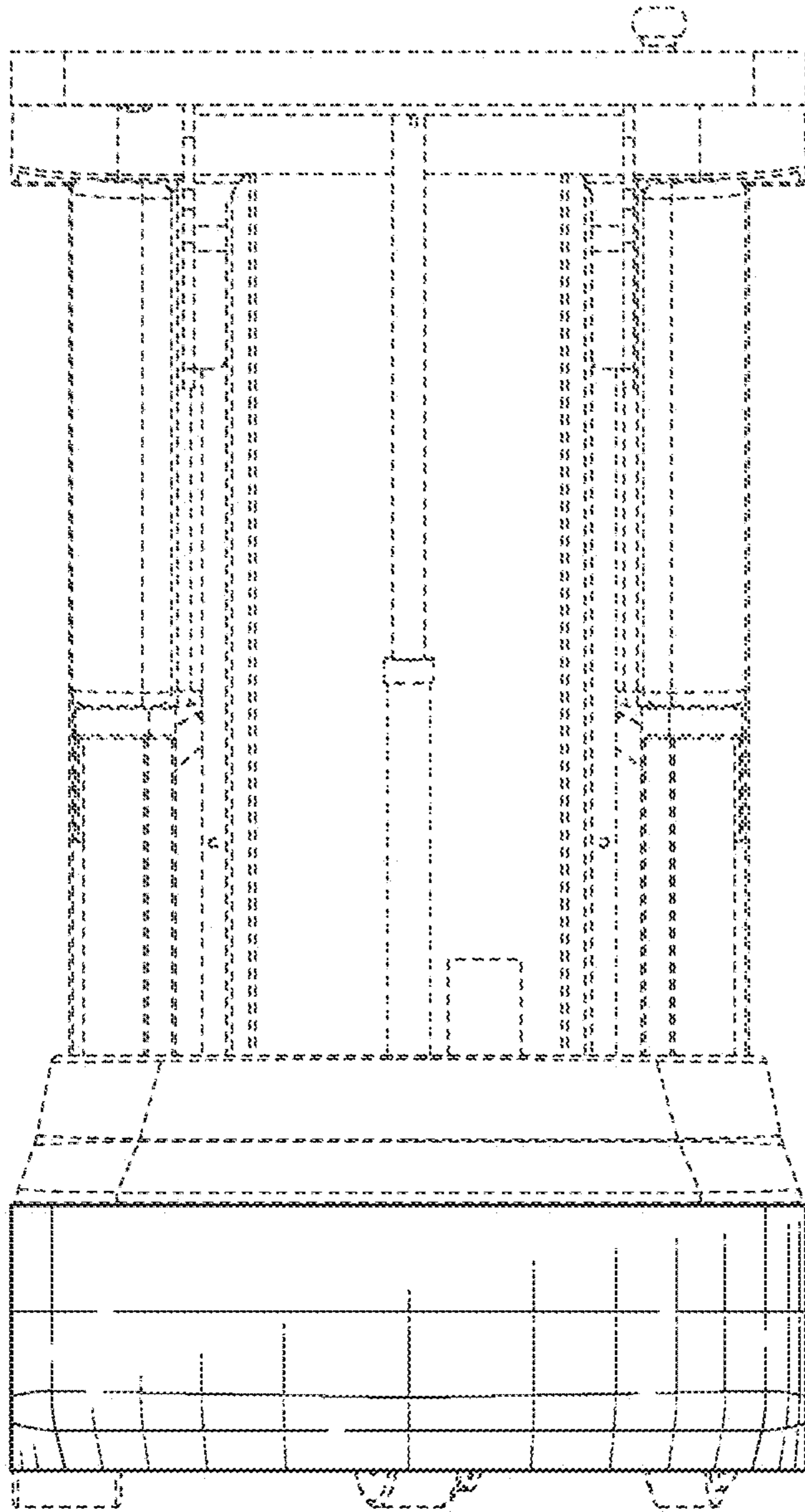


FIG. 7

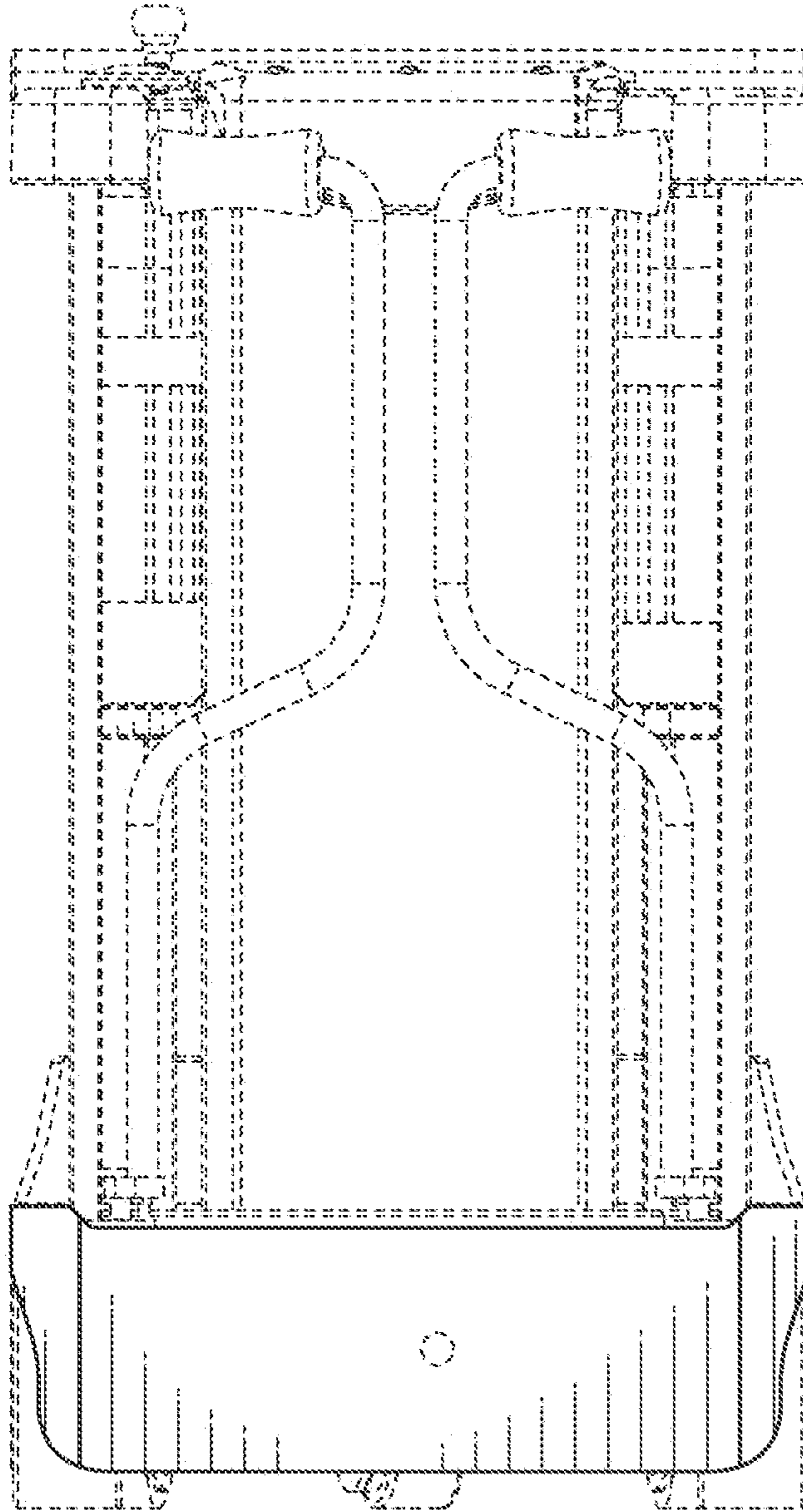


FIG. 8

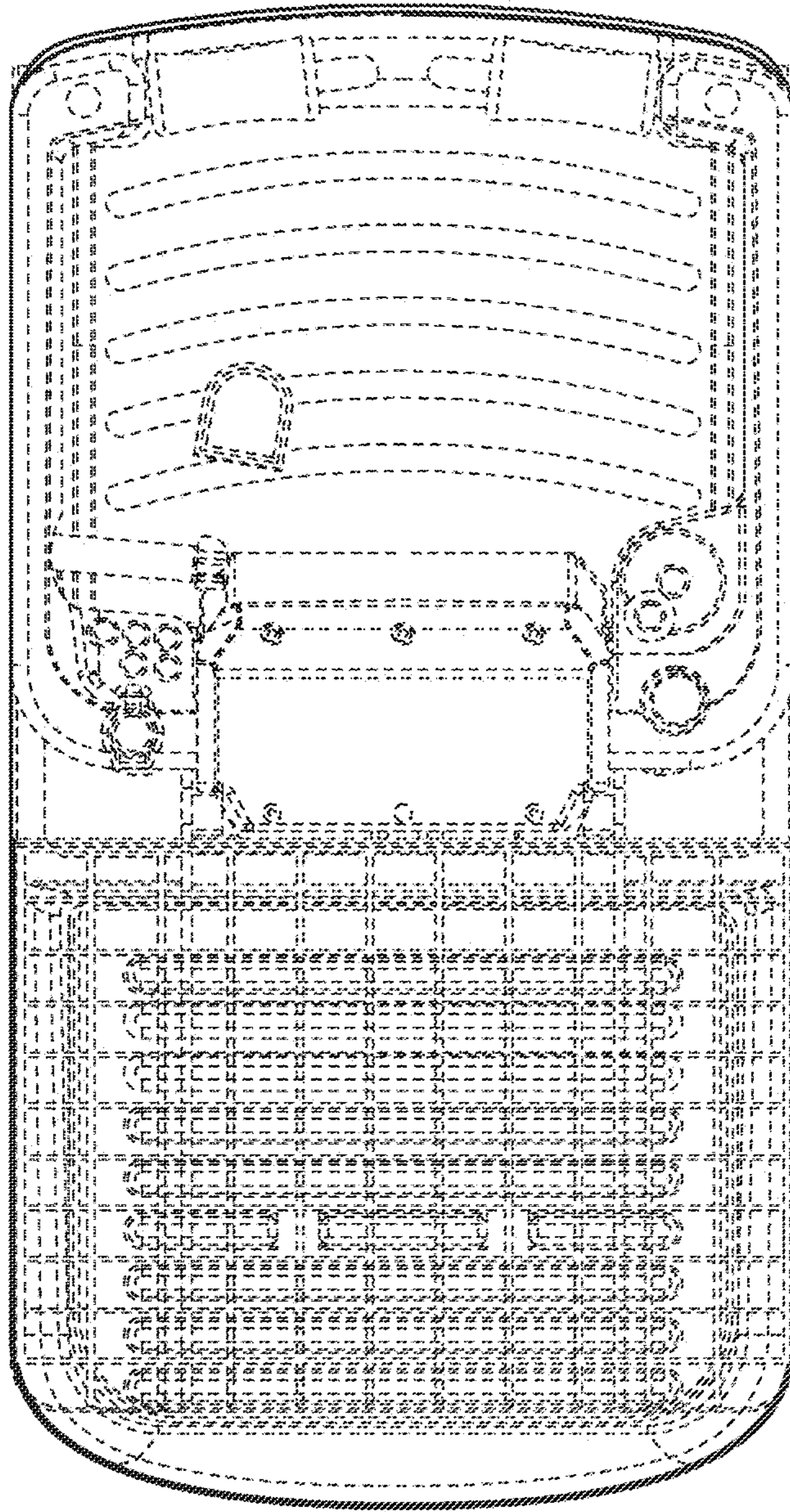


FIG. 9

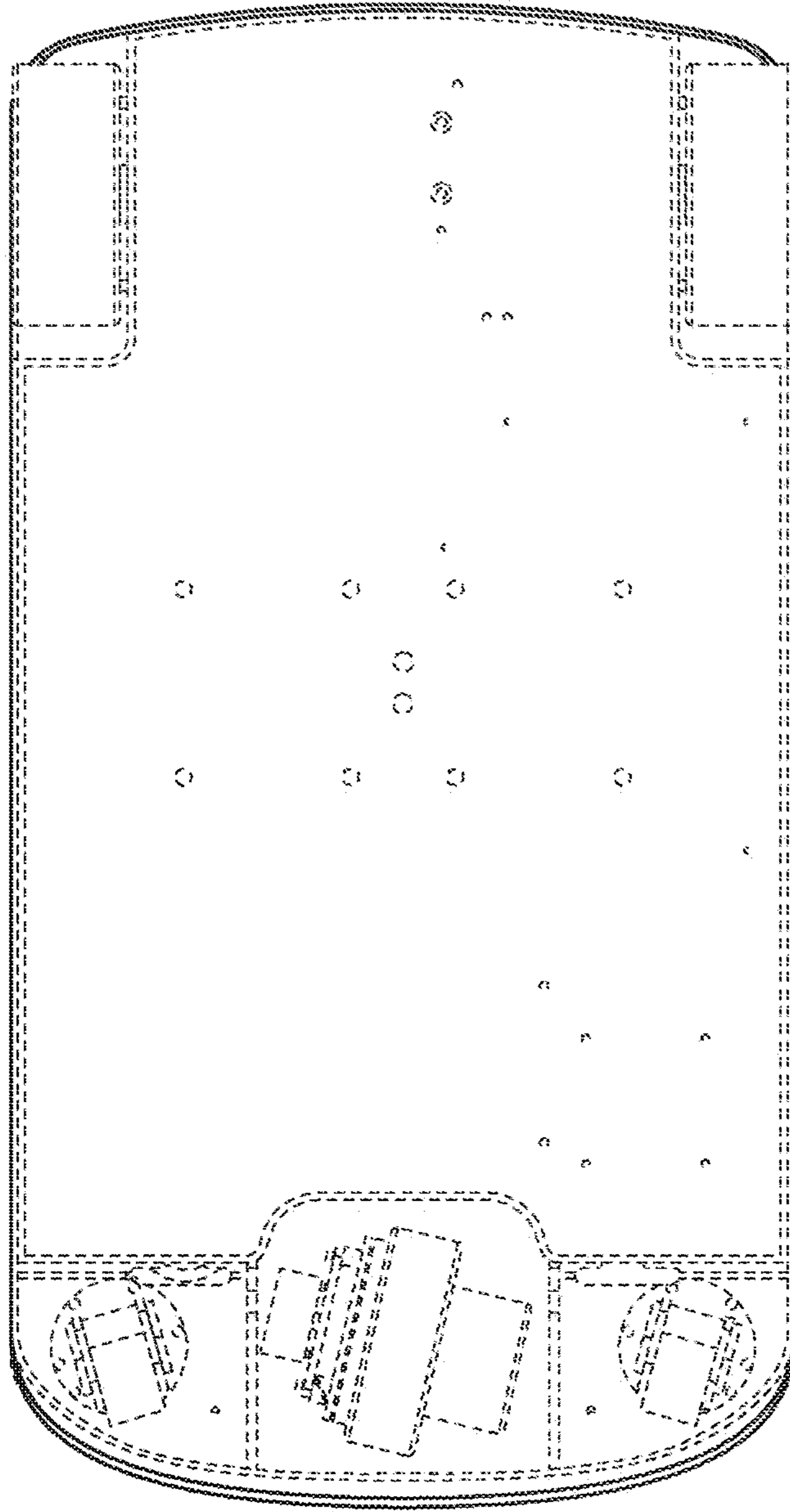


FIG. 10