



US00D882203S

(12) **United States Design Patent** (10) **Patent No.:** **US D882,203 S**  
**Nicholson et al.** (45) **Date of Patent:** **\*\* Apr. 21, 2020**

(54) **RESTAURANT SERVICE CART**  
(71) Applicant: **Cambro Manufacturing Company**,  
Huntington Beach, CA (US)  
(72) Inventors: **Jeff Nicholson**, Long Beach, CA (US);  
**Rainer Schnabel**, Sun Prairie, WI  
(US); **Douglas E. Seals**, Fitchburg, WI  
(US); **Jeffrey R. Staszak**, Deerfield, WI  
(US); **Tyler Toy**, Union City, CA (US)  
(73) Assignee: **Cambro Manufacturing Company**,  
Huntington Beach, CA (US)  
(\*\*) Term: **15 Years**  
(21) Appl. No.: **29/678,077**  
(22) Filed: **Jan. 25, 2019**  
(51) **LOC (12) Cl.** ..... **12-02**  
(52) **U.S. Cl.**  
USPC ..... **D34/21**  
(58) **Field of Classification Search**  
USPC ..... D34/21, 17, 20, 27, 14, 23, 12, 28;  
280/47.34, 47.35, 651, 33.992, 33.997  
CPC ..... A47B 31/00; A47B 2031/002; A47B  
2031/003; A47B 2031/008; B62B  
2202/67; B62B 3/02; B62B 2205/32  
See application file for complete search history.

(56) **References Cited**  
U.S. PATENT DOCUMENTS  
D344,382 S \* 2/1994 Conaway ..... D34/17  
D361,188 S \* 8/1995 Perelli ..... D34/17  
D578,269 S \* 10/2008 Van Landingham, Jr. .... D34/17  
D598,623 S \* 8/2009 Zang Wentz Pho ..... D34/20  
D618,419 S \* 6/2010 Catron ..... D34/12  
D817,584 S \* 5/2018 Phillips ..... D34/21  
D850,753 S \* 6/2019 Cao ..... D34/21

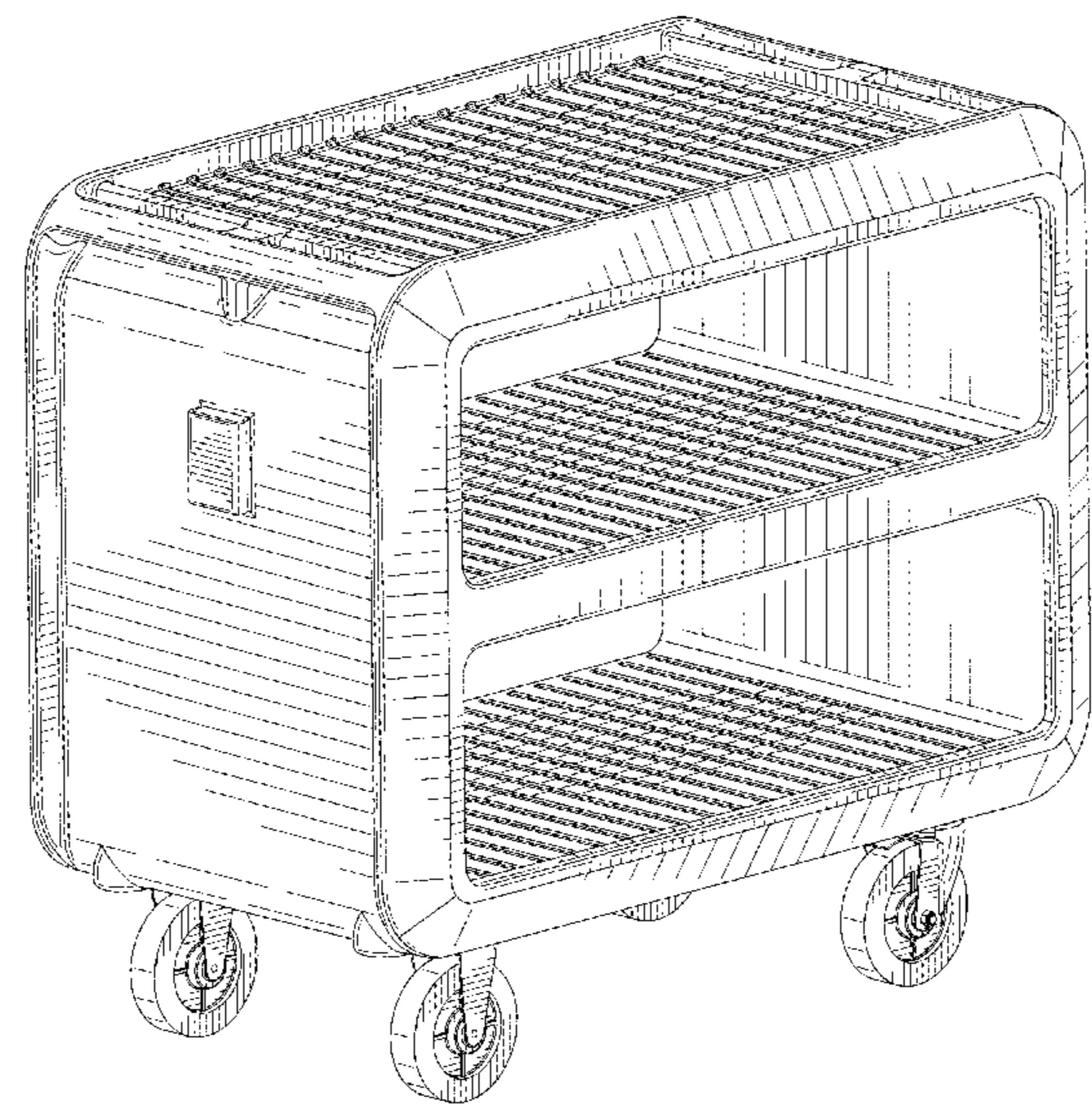
\* cited by examiner

*Primary Examiner* — Gino Colan  
(74) *Attorney, Agent, or Firm* — Marcus Dawes; George Bethel

(57) **CLAIM**  
The ornamental design for a restaurant service cart, as shown and described.

**DESCRIPTION**  
FIG. 1 shows a front top left perspective view of the restaurant service cart.  
FIG. 2 shows a front elevation view thereof.  
FIG. 3 shows a top plan view thereof.  
FIG. 4 shows a left side elevation view thereof.  
FIG. 5 shows a right side elevation view thereof.  
FIG. 6 shows a rear elevation view thereof.  
FIG. 7 shows a bottom plan view thereof.  
FIG. 8 shows a bottom perspective view thereof.  
FIG. 9 shows another perspective view thereof.  
FIG. 10 shows a front top left perspective view of an alternative embodiment of the restaurant service cart.  
FIG. 11 shows a front elevation view of an alternative embodiment thereof.  
FIG. 12 shows a top plan view of an alternative embodiment thereof.  
FIG. 13 shows a left side elevation view of an alternative embodiment thereof.  
FIG. 14 shows a right side elevation view of an alternative embodiment thereof.  
FIG. 15 shows a rear elevation view of an alternative embodiment thereof.  
FIG. 16 shows a bottom plan view of an alternative embodiment thereof.  
FIG. 17 shows a bottom perspective view of an alternative embodiment thereof; and,  
FIG. 18 shows another perspective view thereof.  
The broken lines showing a utensil and trash holder in FIGS. 9 and 18 are for the purpose of illustrating environment and form no part of the claimed design.

**1 Claim, 12 Drawing Sheets**



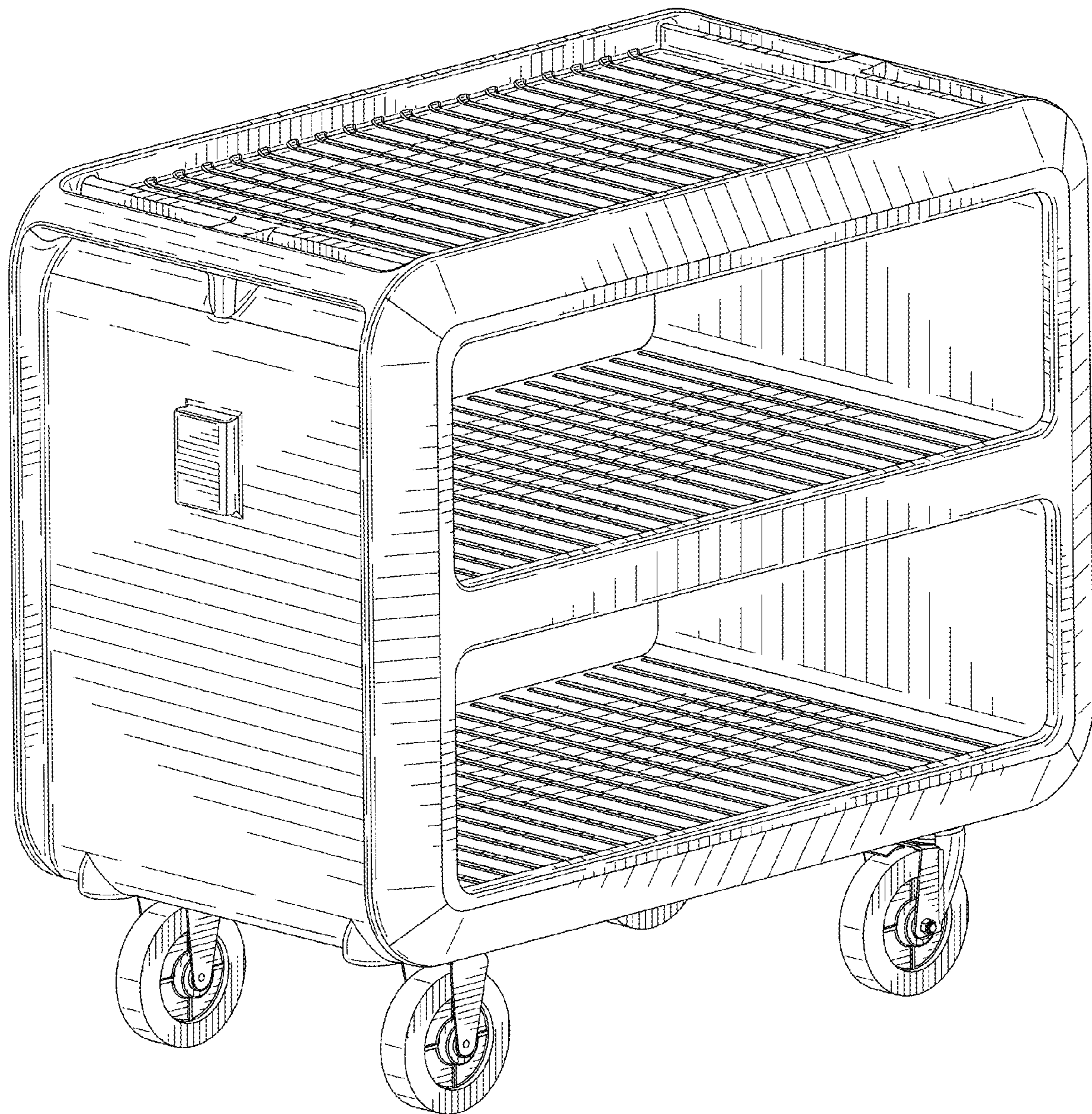


FIG. 1

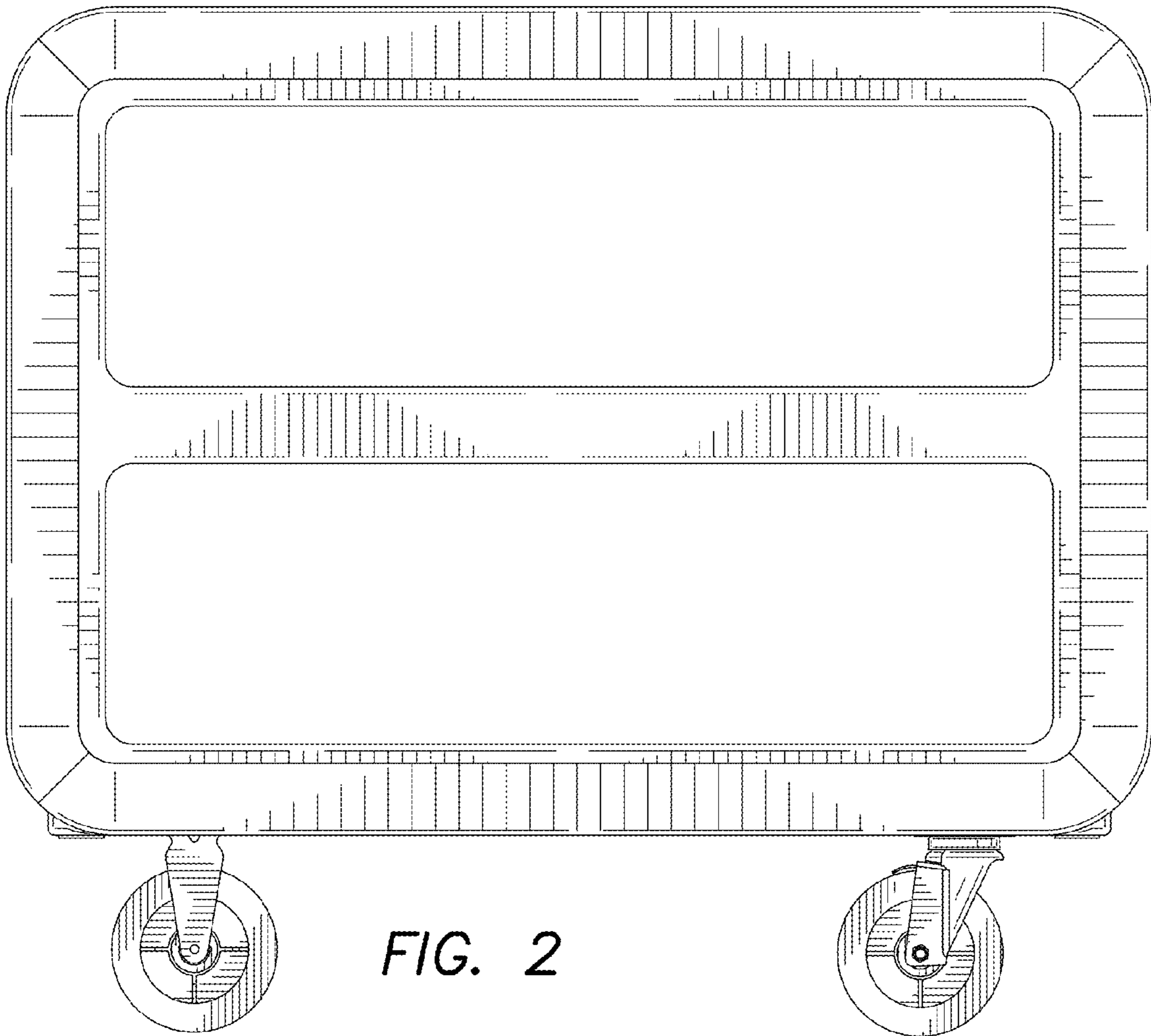


FIG. 2

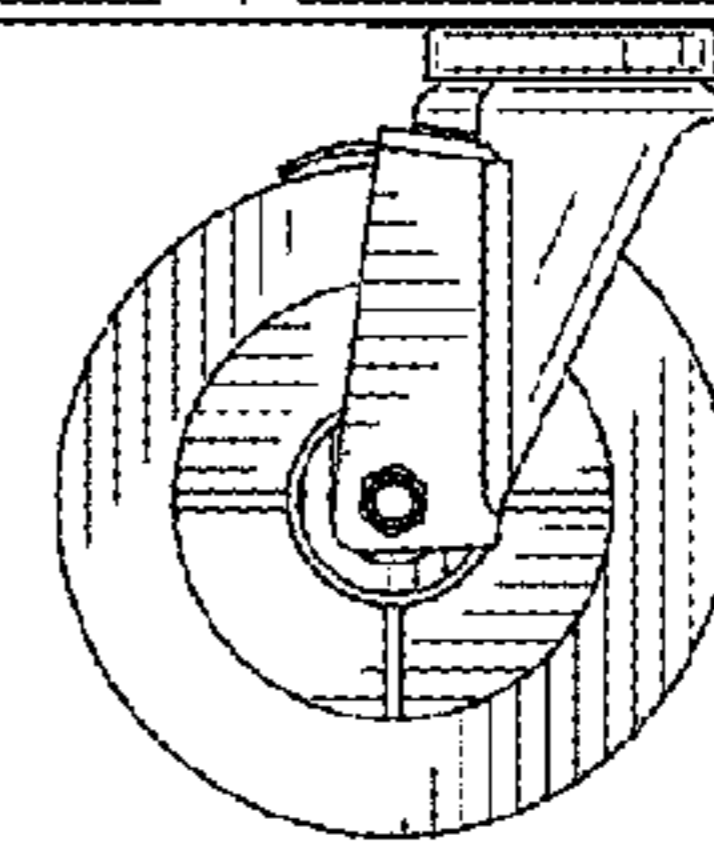
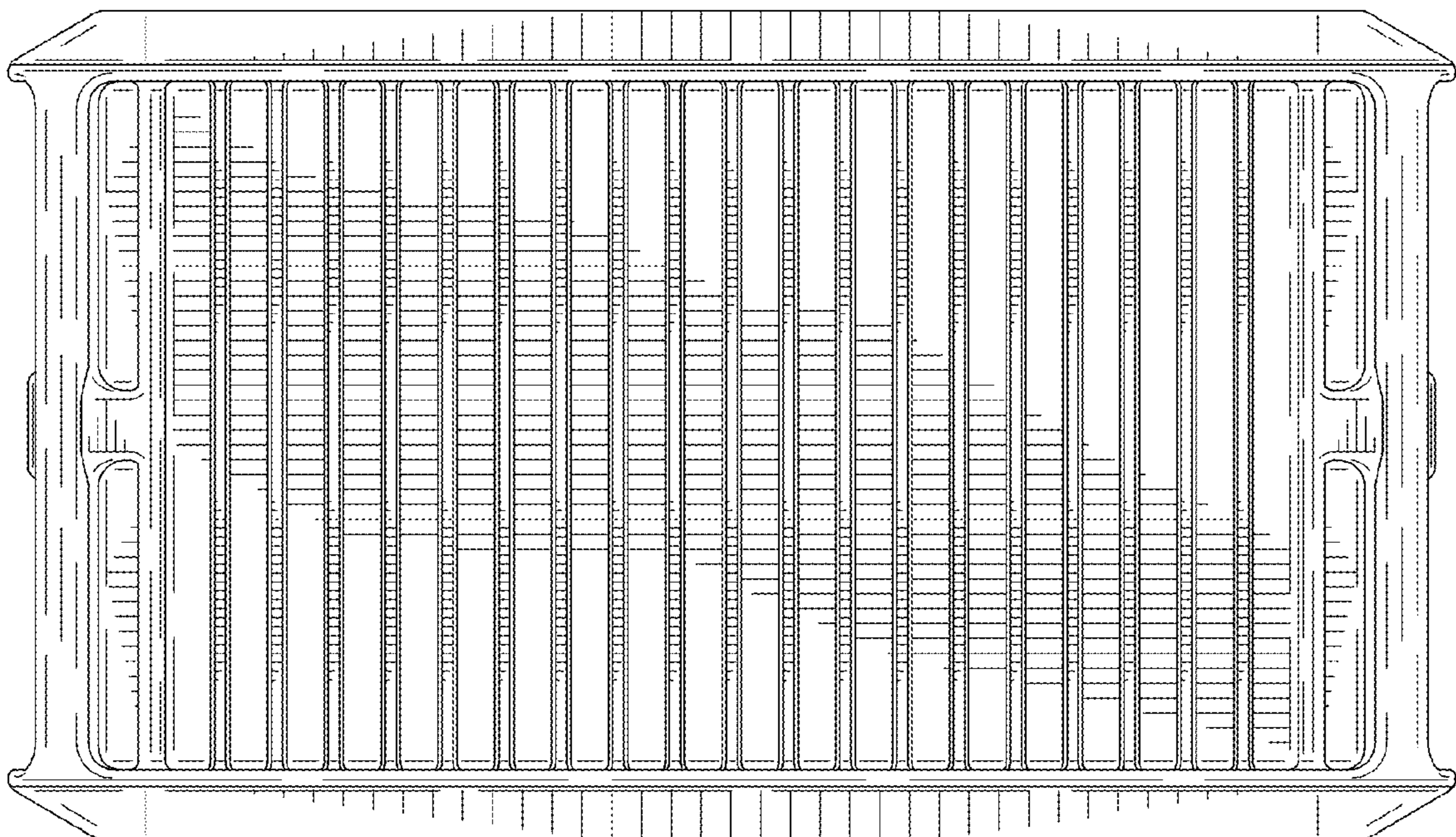


FIG. 3



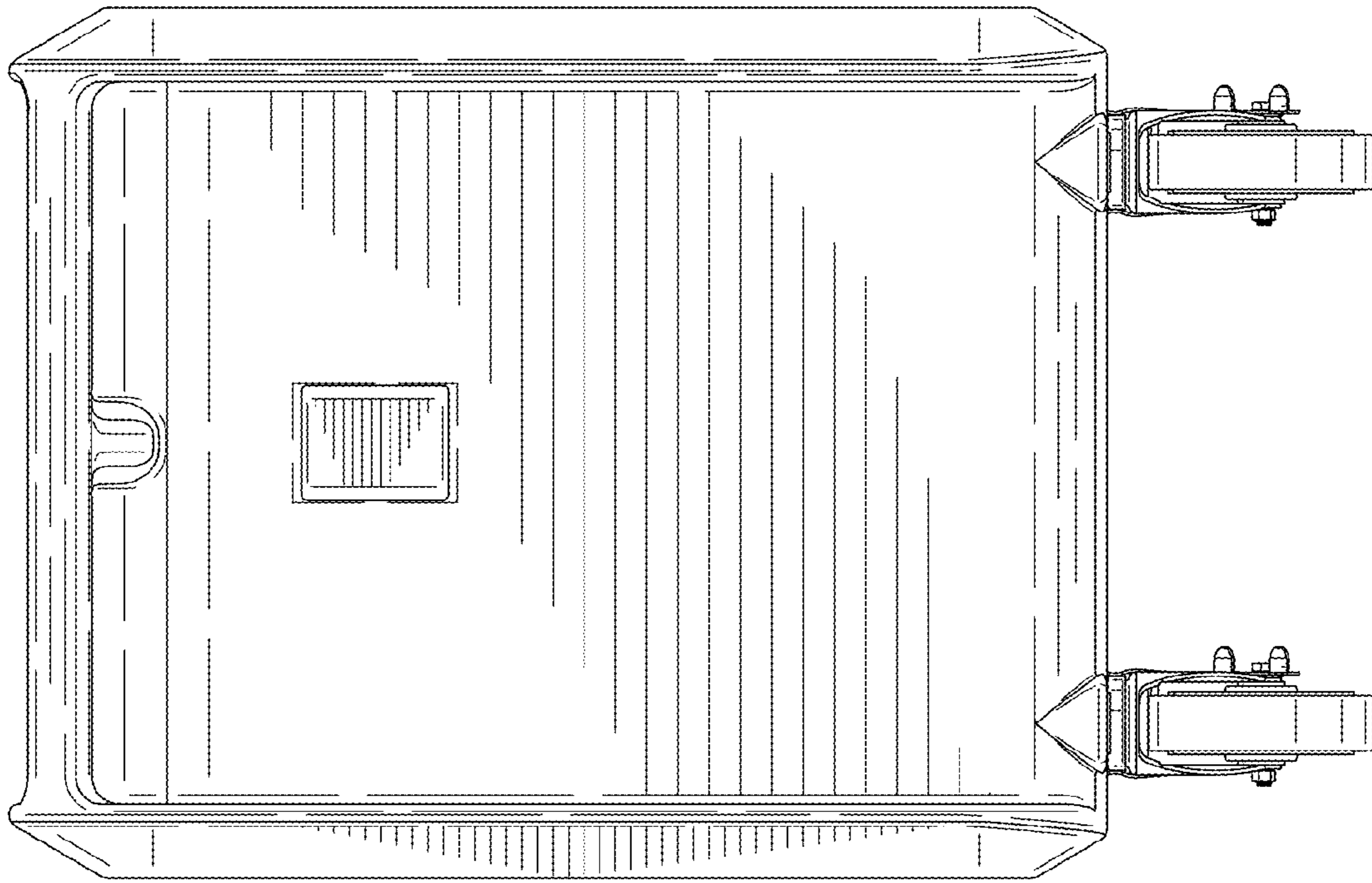


FIG. 4

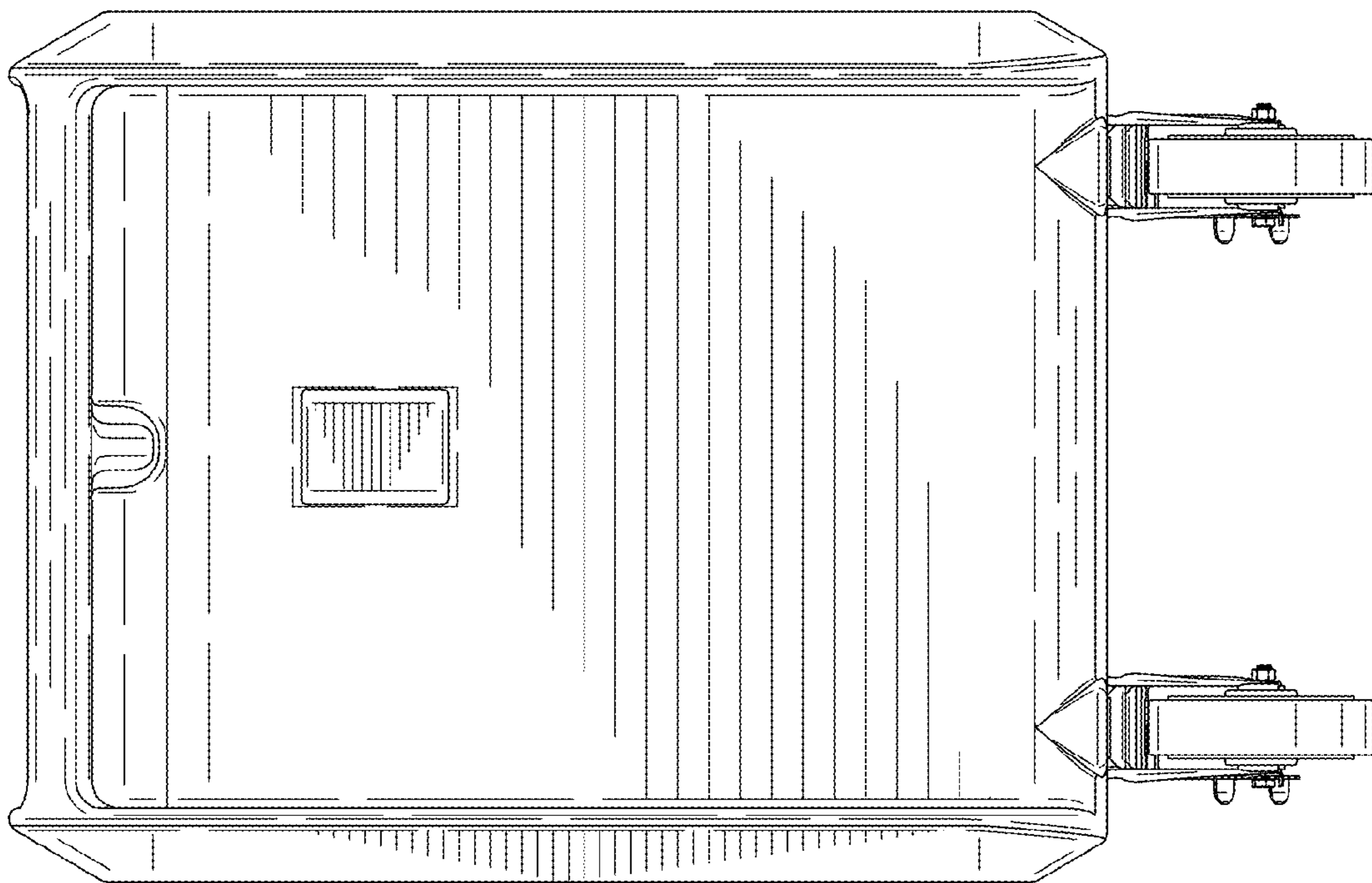


FIG. 5

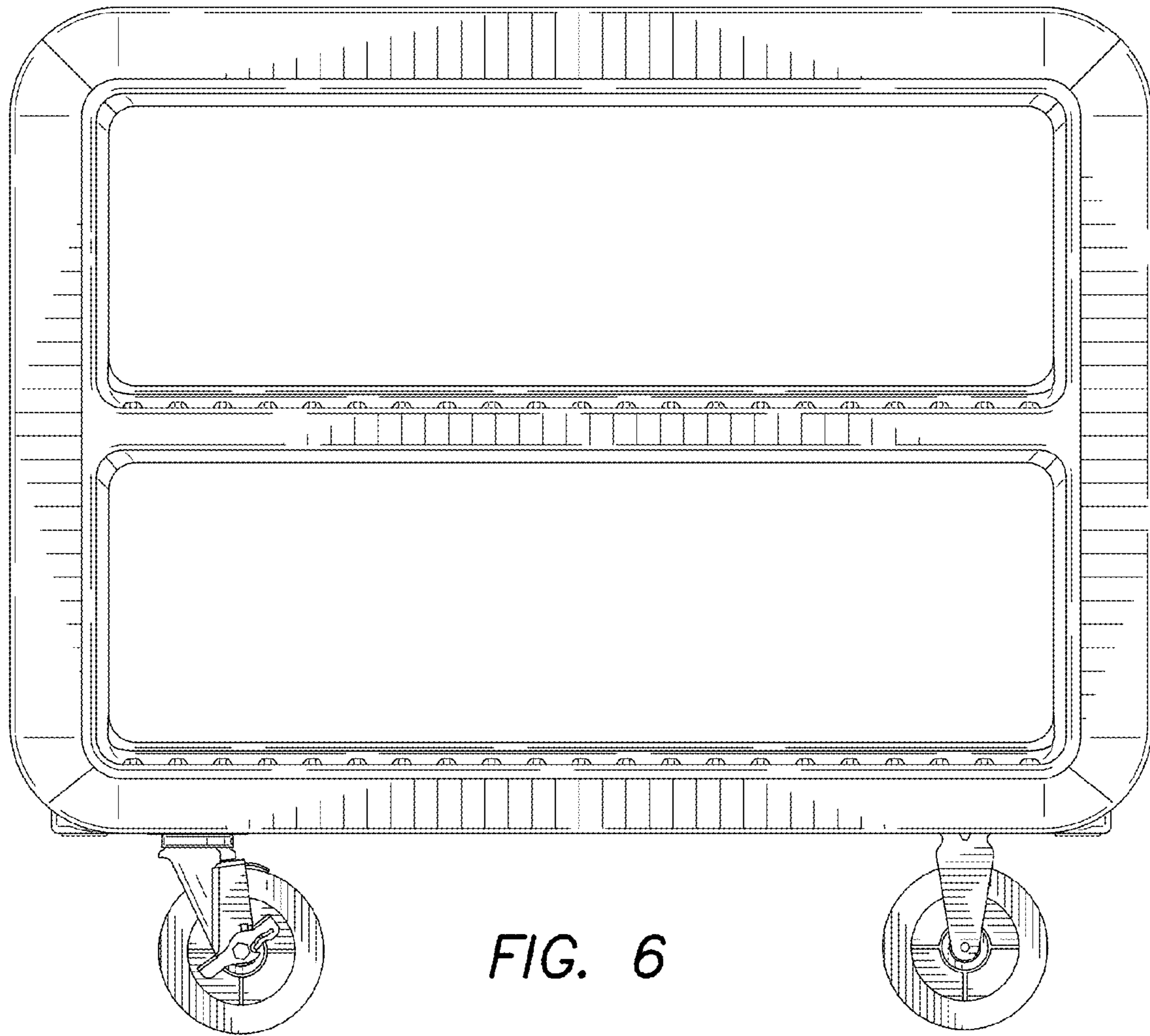
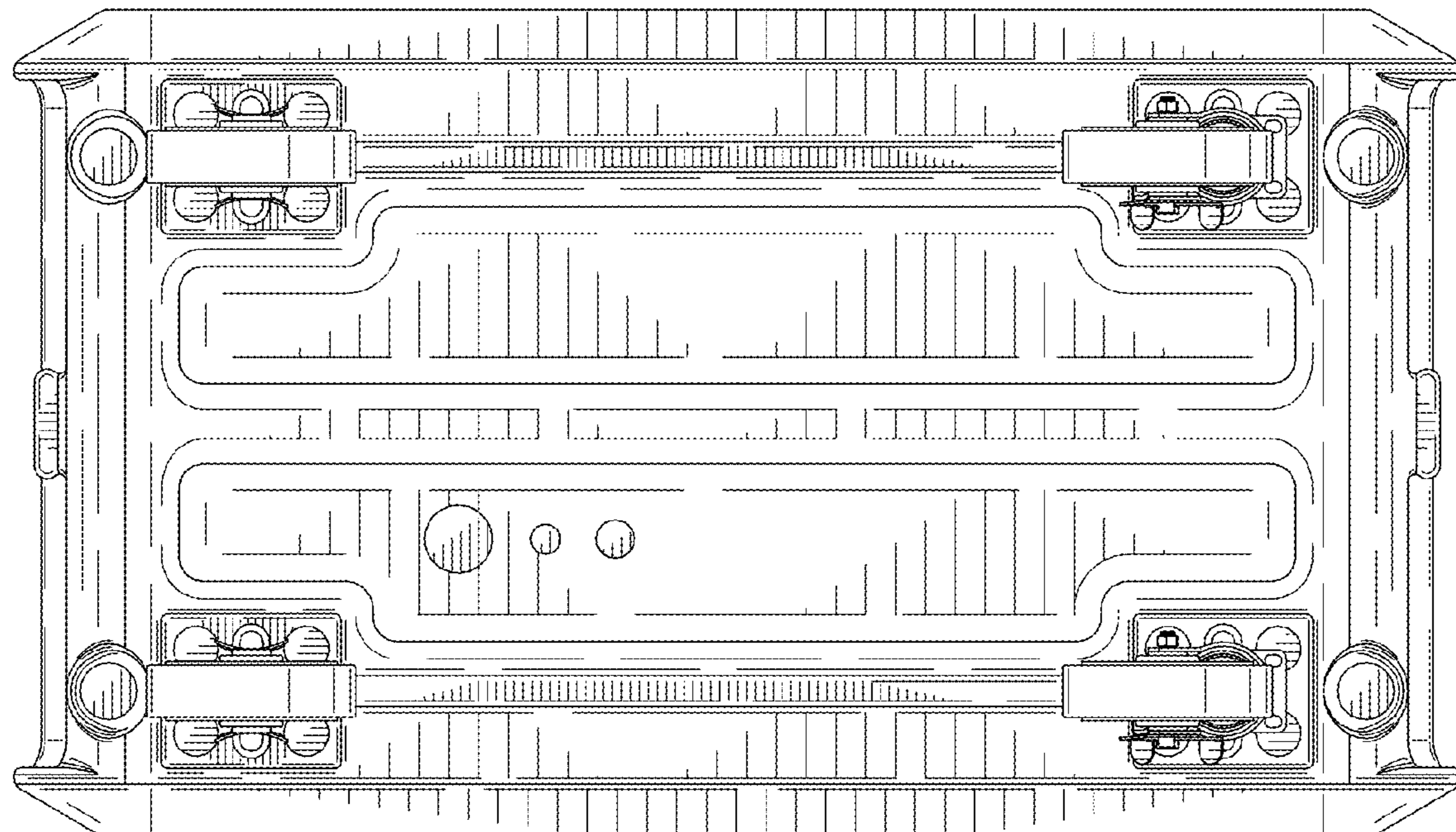


FIG. 6

FIG. 7



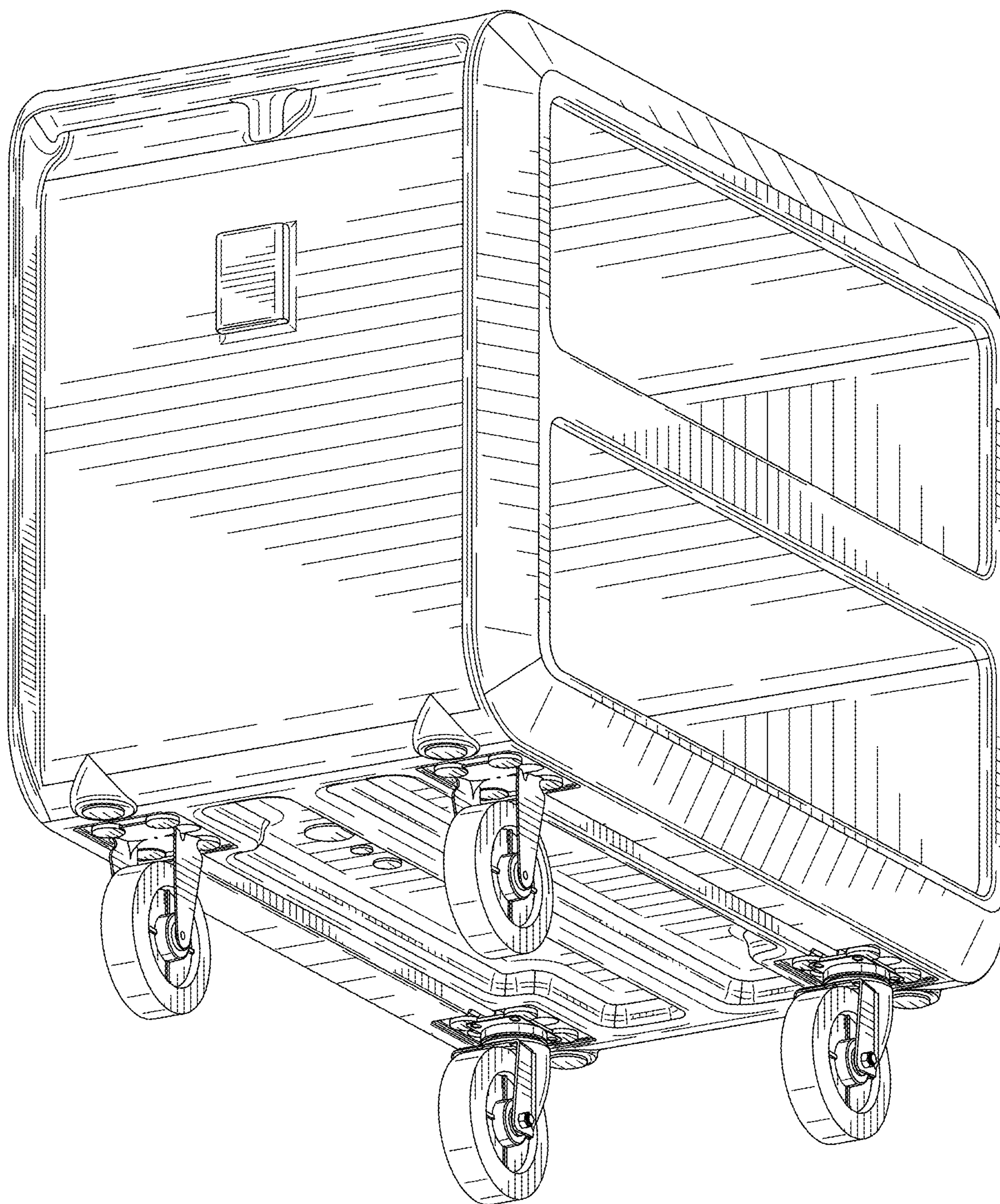


FIG. 8

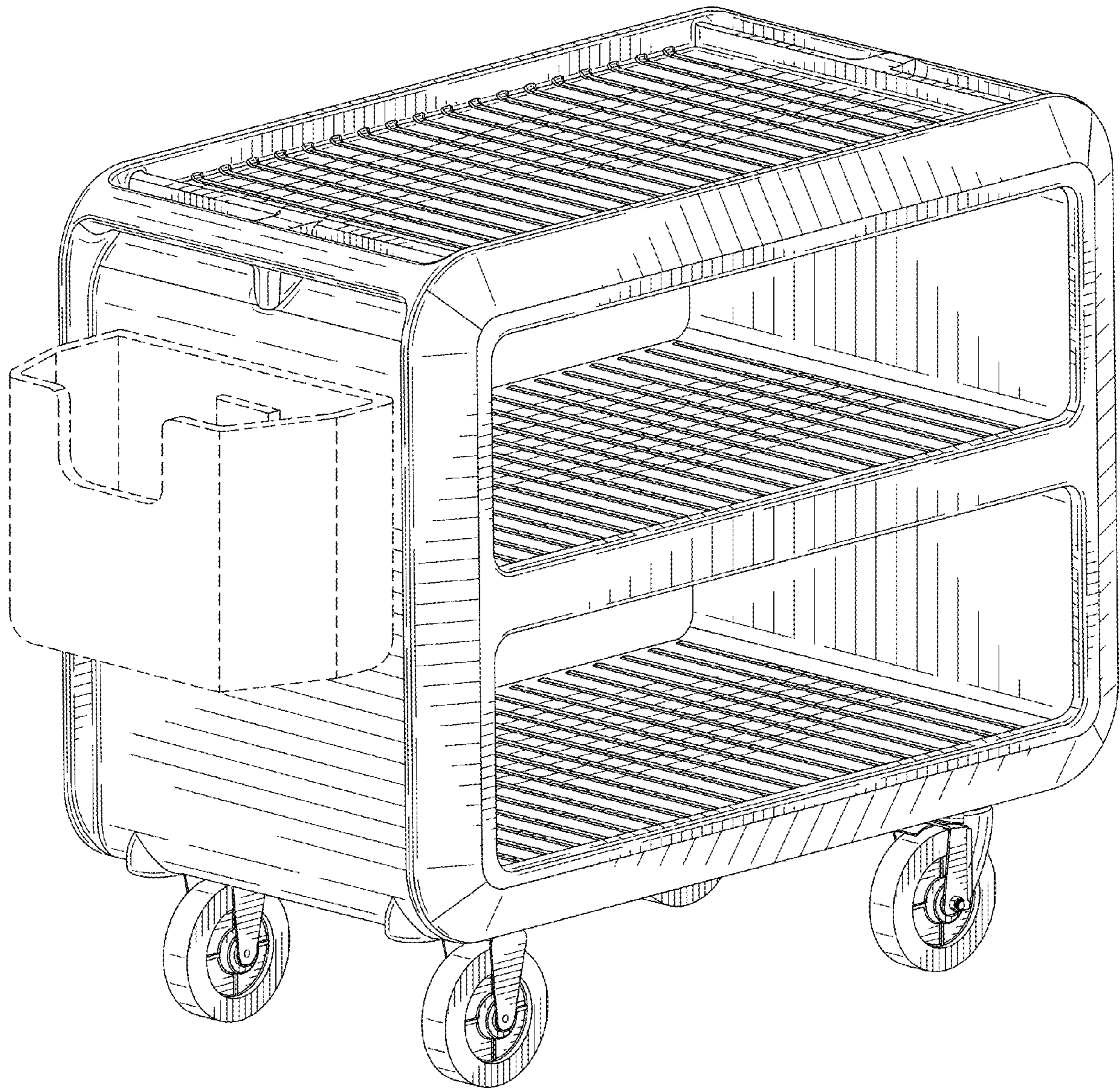


FIG. 9

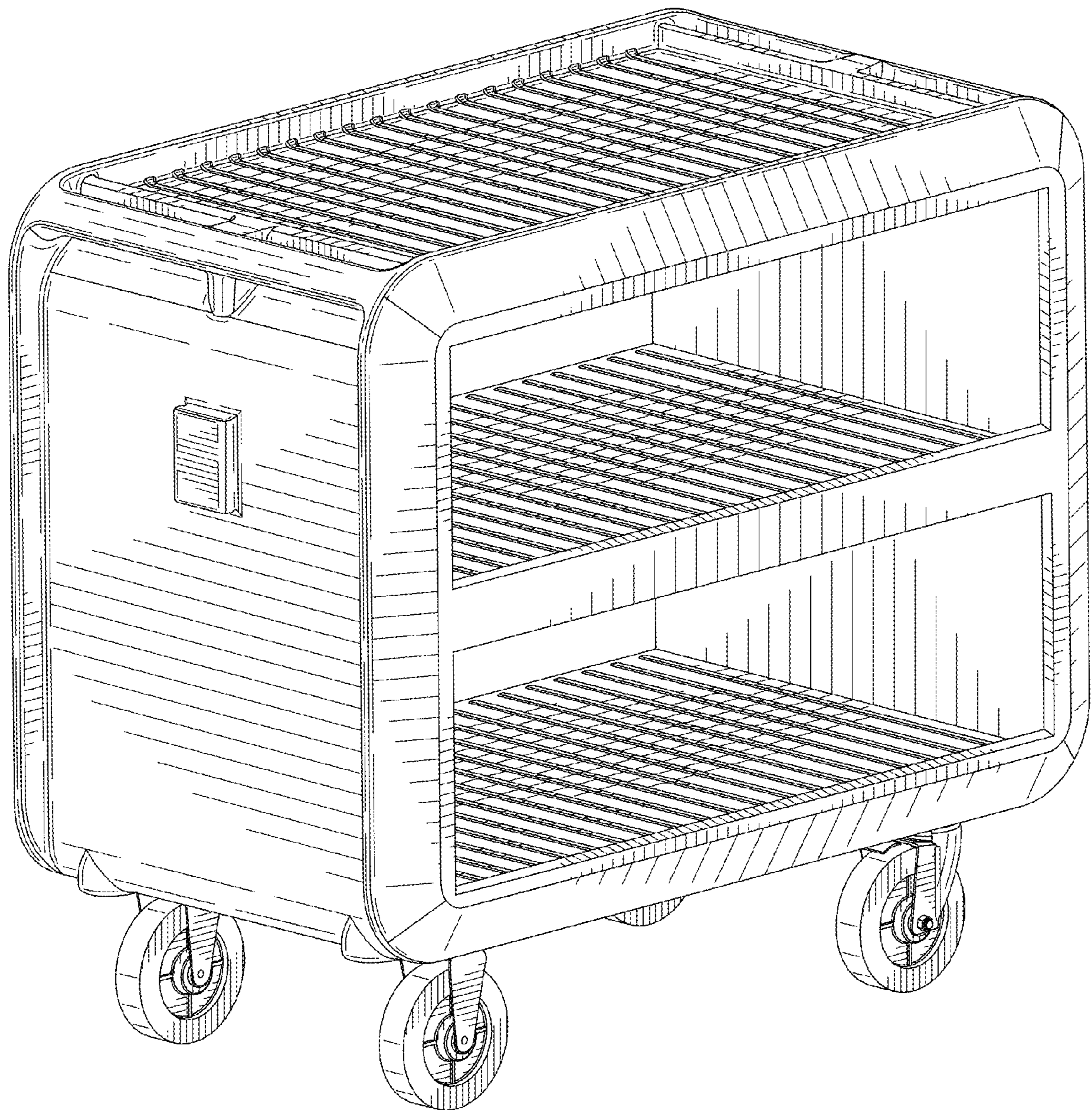


FIG. 10



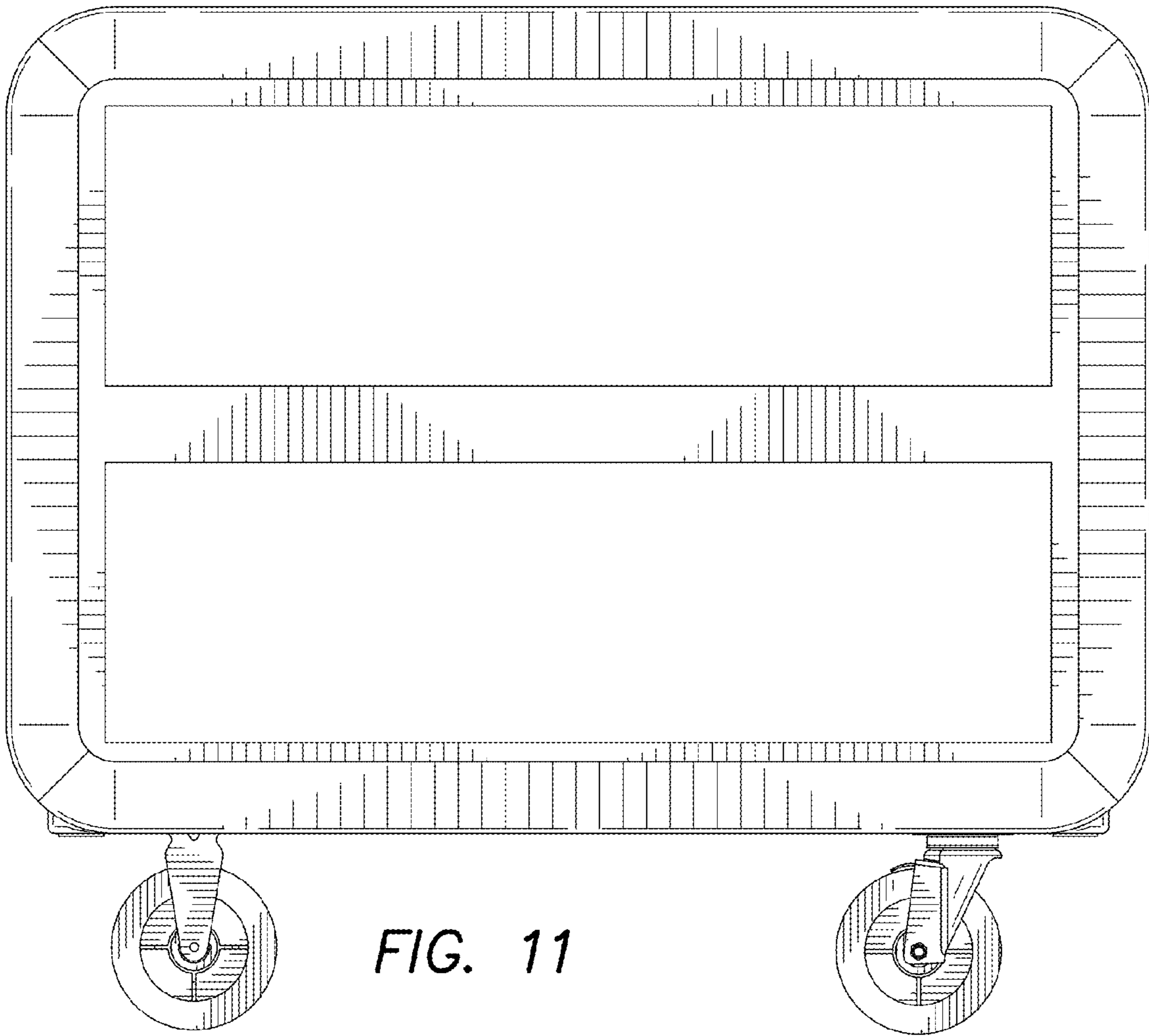
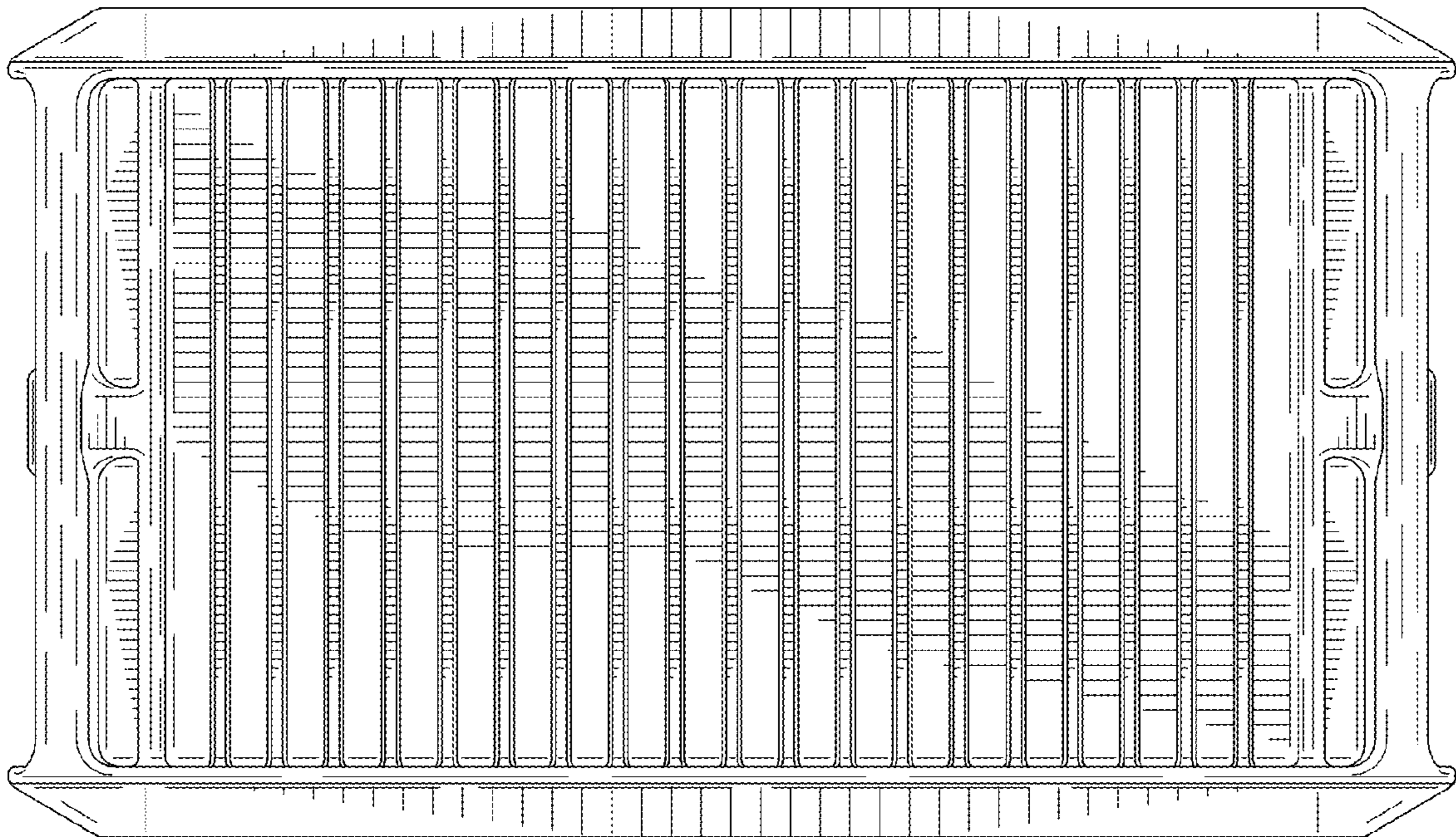


FIG. 11

FIG. 12



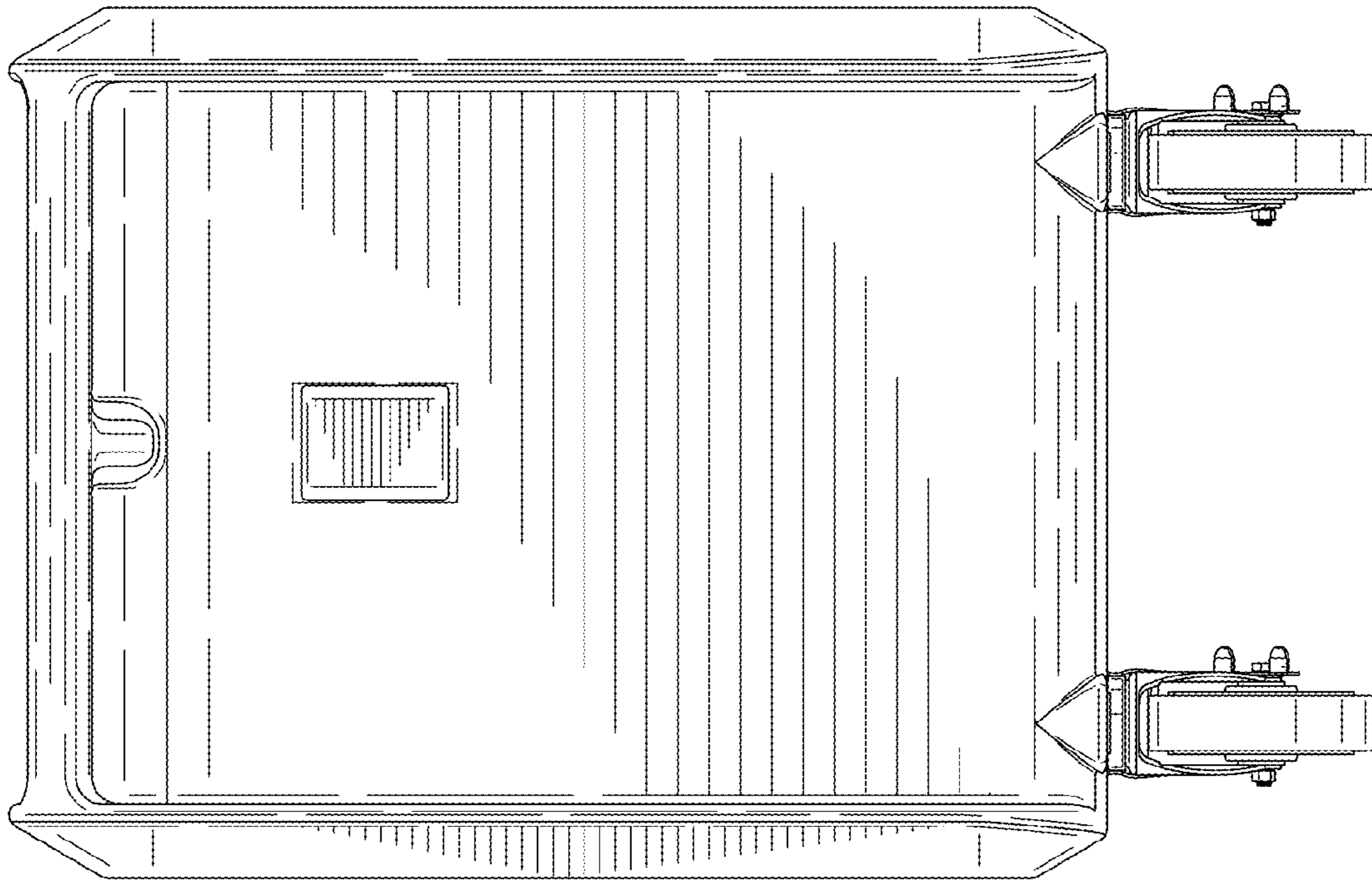


FIG. 14

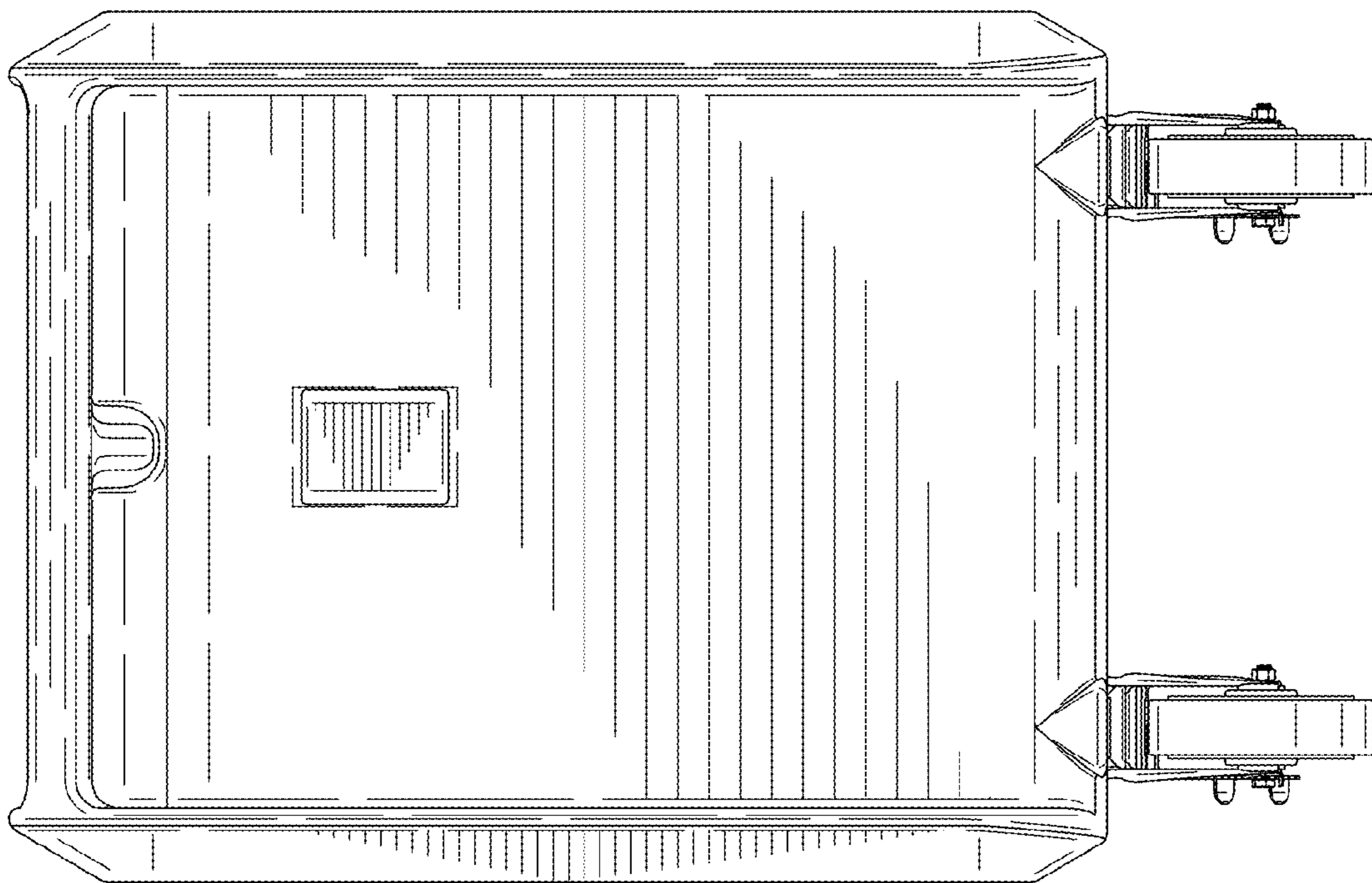


FIG. 13

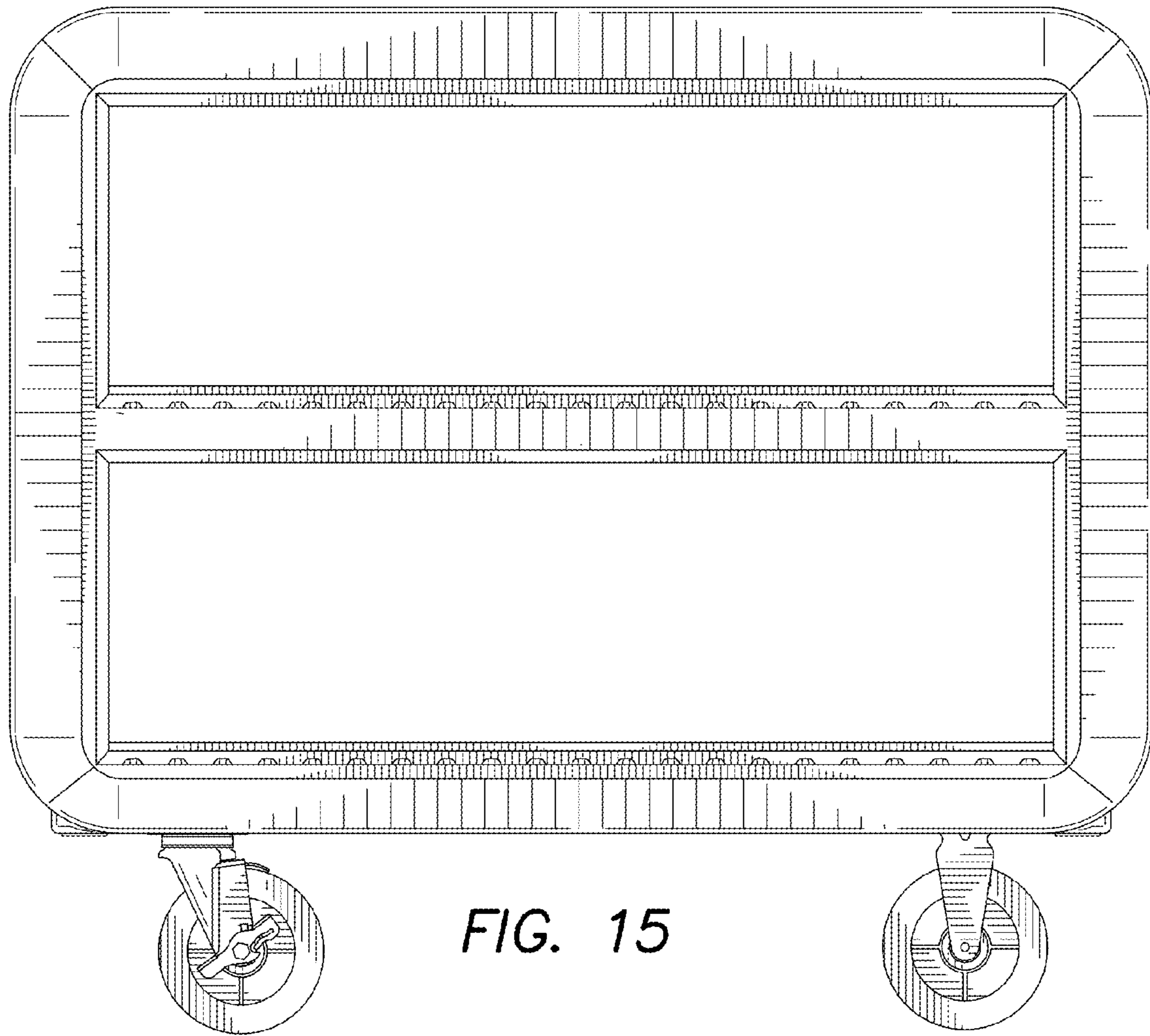
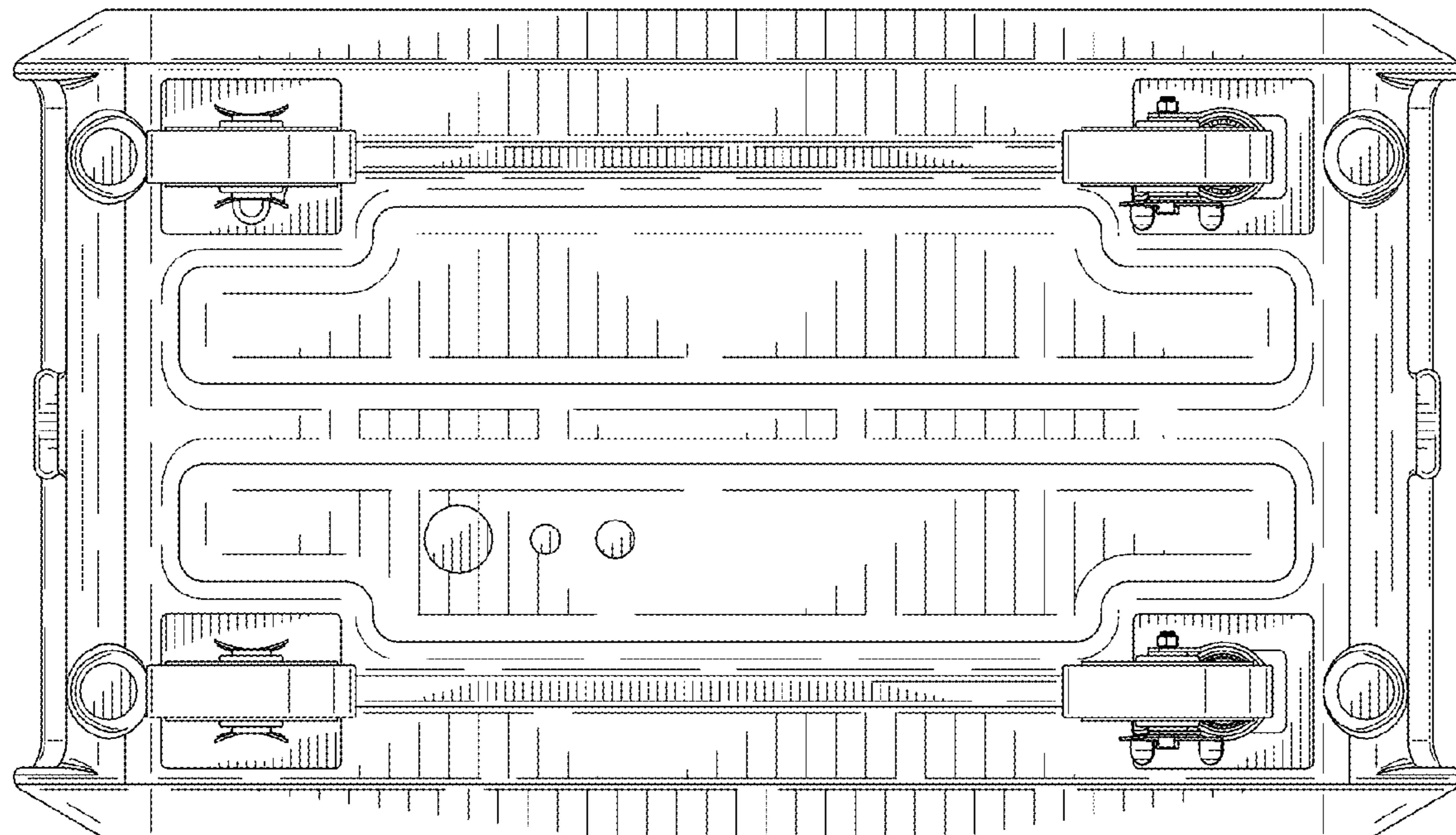


FIG. 15

FIG. 16



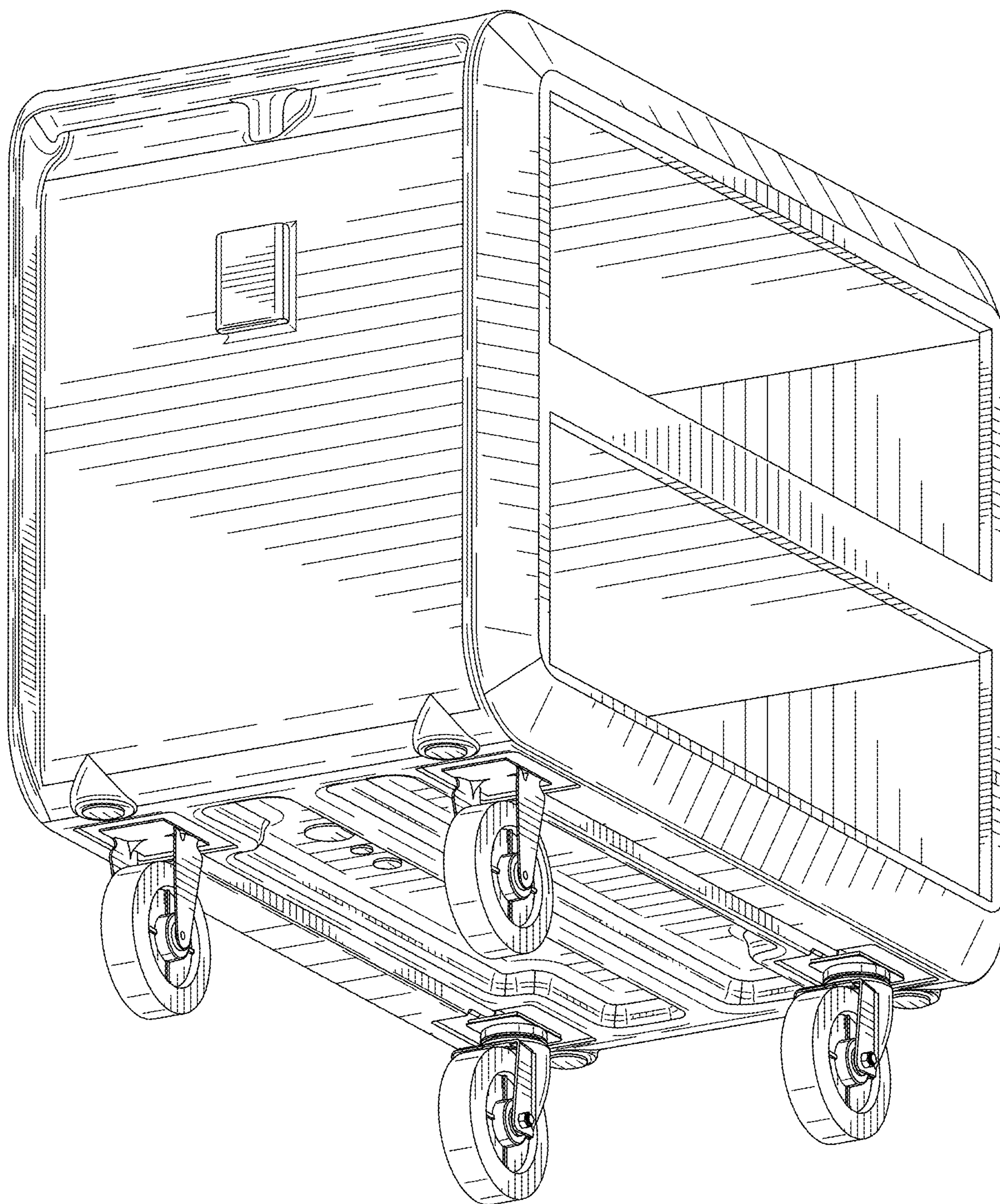


FIG. 17

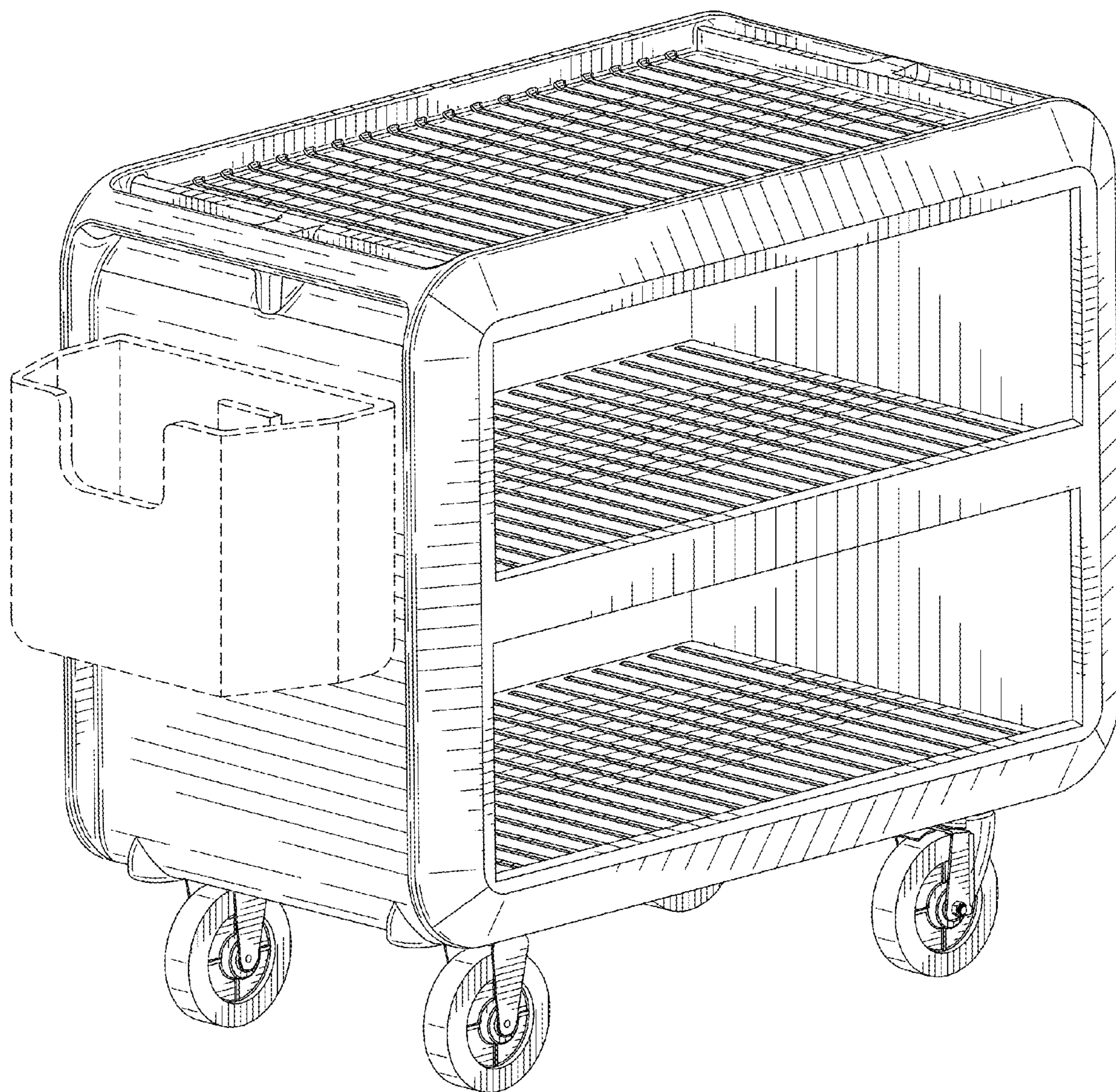


FIG. 18