



US00D882202S

(12) **United States Design Patent**  
**Lu**

(10) **Patent No.:** **US D882,202 S**

(45) **Date of Patent:** **\*\* \*Apr. 21, 2020**

(54) **GARBAGE CAN**

(71) Applicant: **JINLONG INDUSTRIAL CO., LTD.**,  
Jiangmen (CN)

(72) Inventor: **Huanbang Lu**, Jiangmen (CN)

(73) Assignee: **Jinlong Industrial Co., Ltd.**, Jiangmen  
(CN)

(\*) Notice: This patent is subject to a terminal disclaimer.

(\*\*) Term: **15 Years**

(21) Appl. No.: **29/600,314**

(22) Filed: **Apr. 11, 2017**

(30) **Foreign Application Priority Data**

Feb. 14, 2017 (CN) ..... 2017 3 0039033

(51) **LOC (12) Cl.** ..... **09-09**

(52) **U.S. Cl.**  
USPC ..... **D34/9**

(58) **Field of Classification Search**  
USPC ..... D34/1, 7, 8, 9, 10, 11; 220/262-264  
CPC ..... B65F 1/163; B65F 1/16; B65F 2250/116;  
B65F 2250/12

See application file for complete search history.

(56) **References Cited**

U.S. PATENT DOCUMENTS

D631,221 S *	1/2011	Yang	.....	D34/9
D774,270 S *	12/2016	Chen	.....	D34/9
D793,642 S *	8/2017	Yang	.....	D34/7
D795,521 S *	8/2017	Han	.....	D34/7
D804,133 S *	11/2017	Yang	.....	D34/9
D822,933 S *	7/2018	Hoon	.....	D34/9

\* cited by examiner

*Primary Examiner* — Cynthia Ramirez

(74) *Attorney, Agent, or Firm* — Hoffmann & Baron, LLP

(57) **CLAIM**

The ornamental design for an a garbage can, as shown and described.

**DESCRIPTION**

FIG. 1 is a perspective view showing the top, front and left side view of a garbage can of my new design;

FIG. 2 is a front view thereof;

FIG. 3 is a rear view thereof;

FIG. 4 is a left side view thereof;

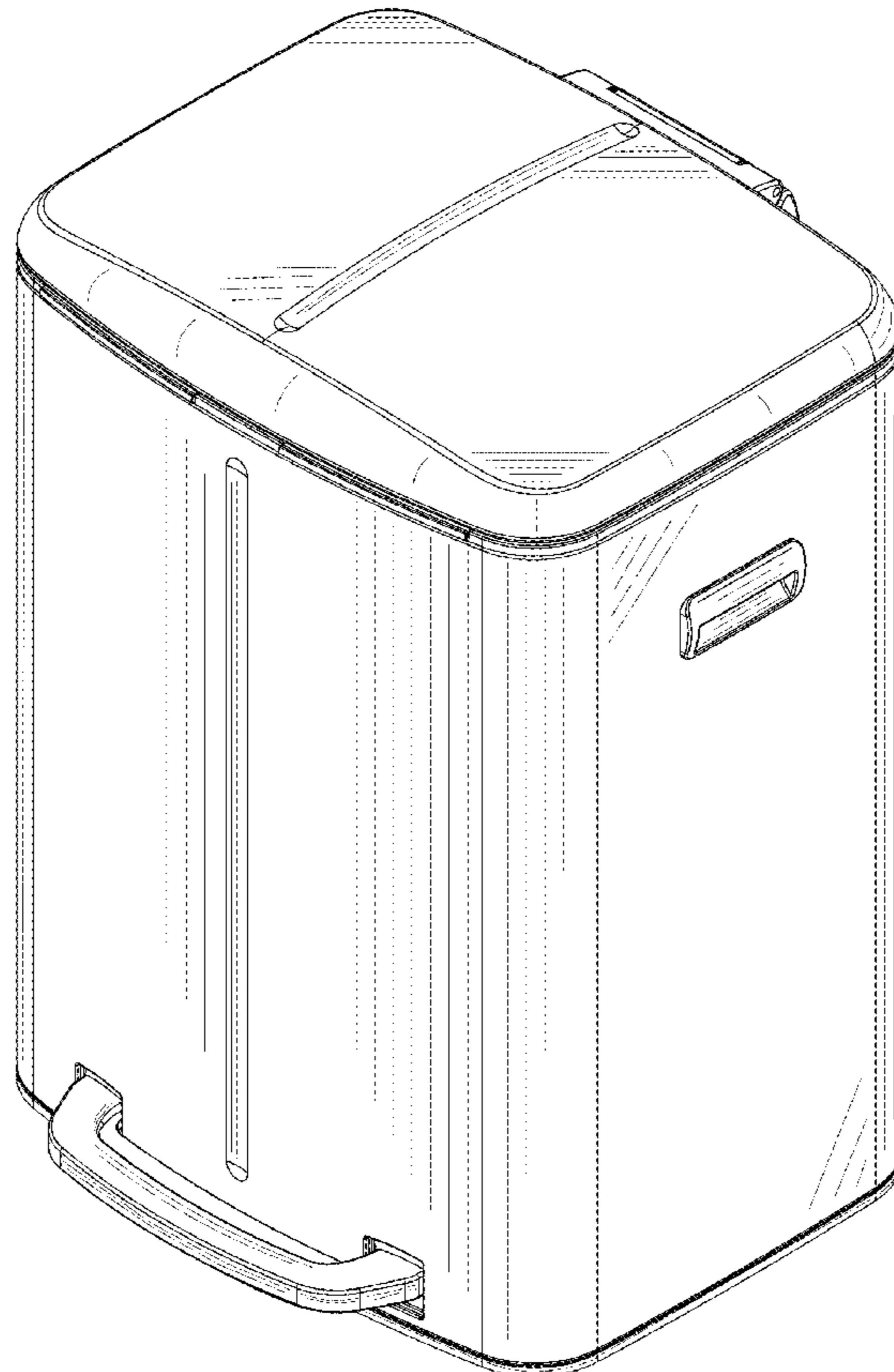
FIG. 5 is a right side view thereof;

FIG. 6 is a top view thereof; and,

FIG. 7 is a bottom view thereof.

The broken lines depict of the portions of the garbage can that form no part of the claimed design.

**1 Claim, 7 Drawing Sheets**



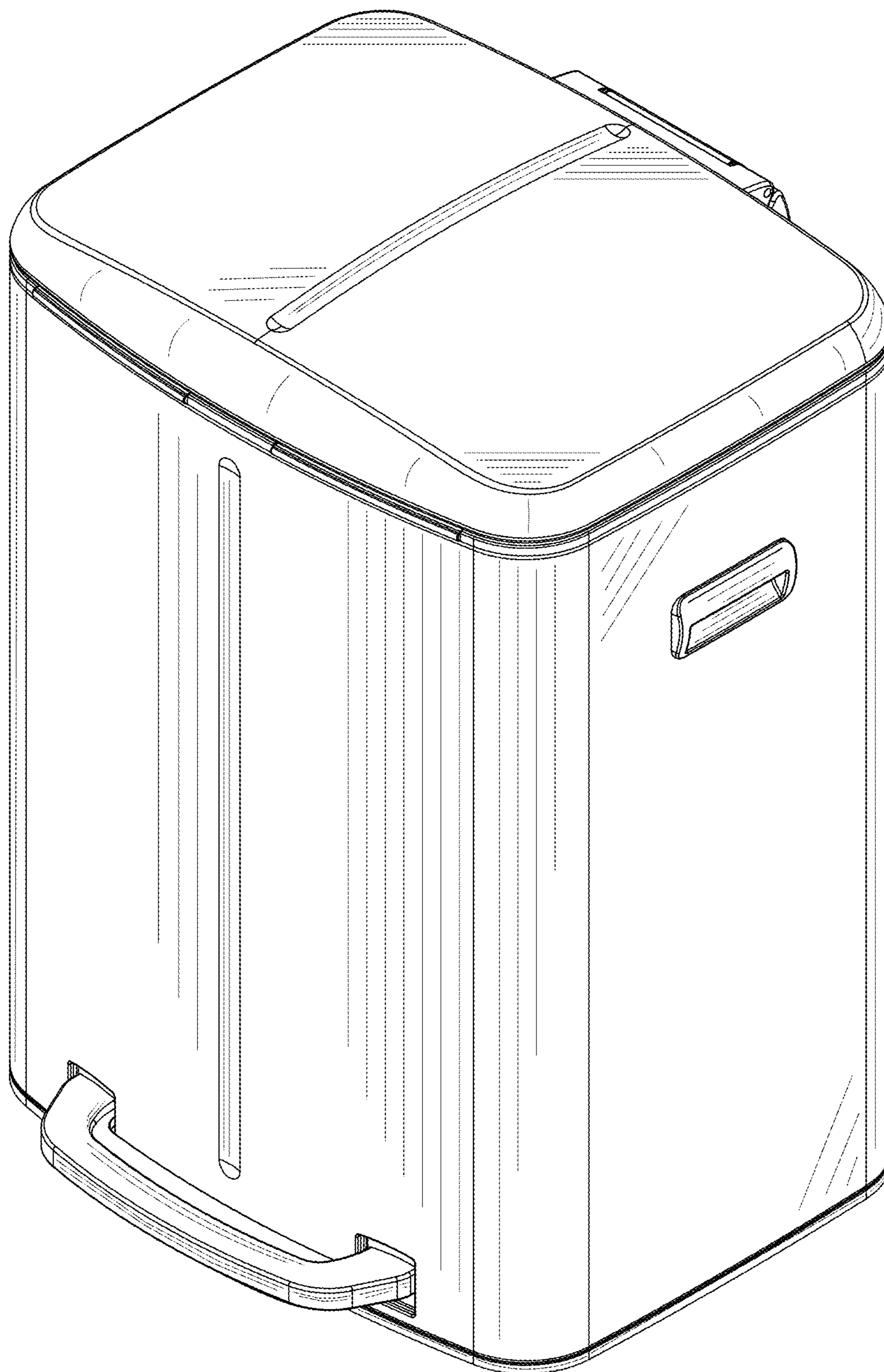


FIG. 1

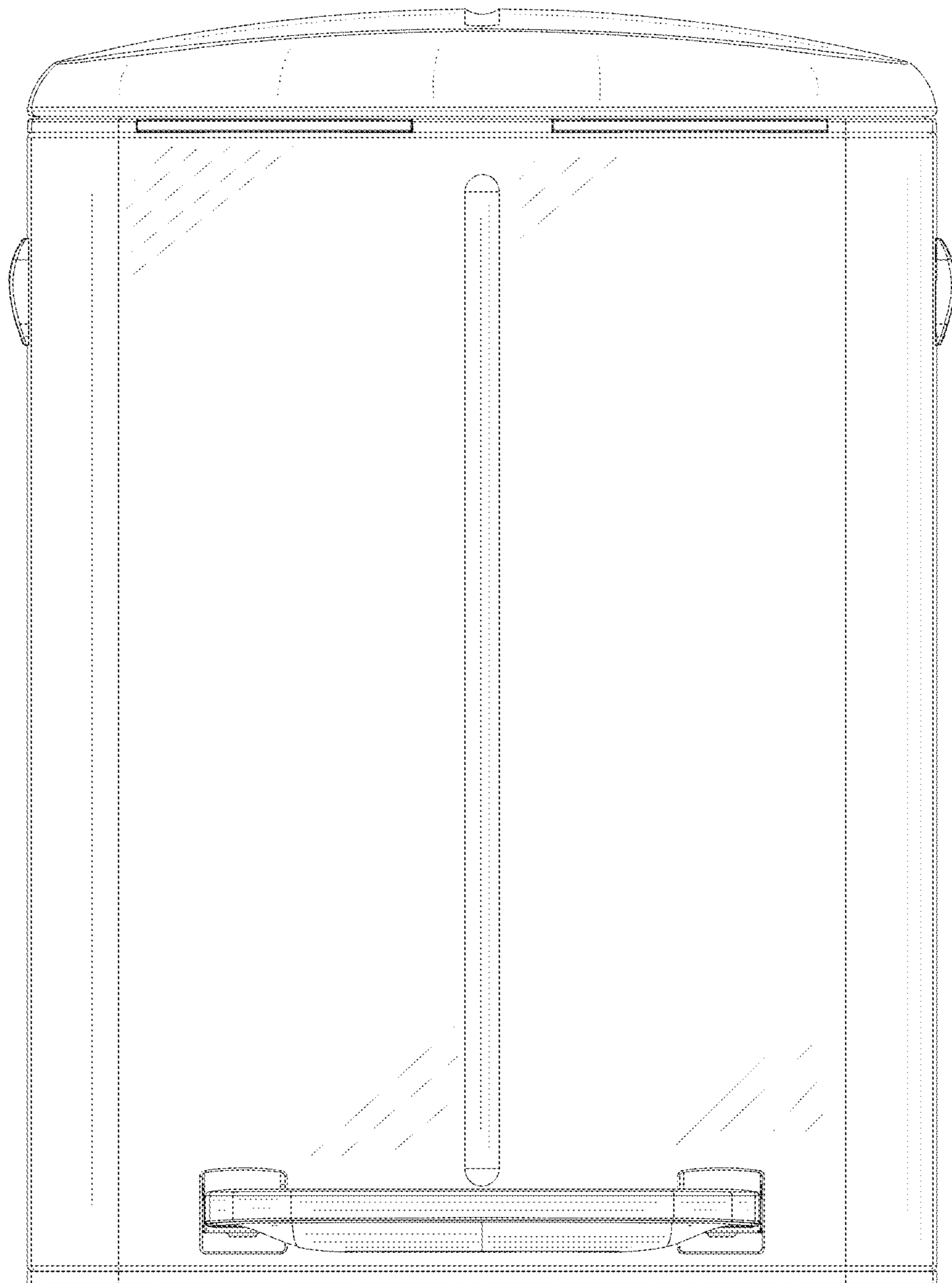


FIG.2

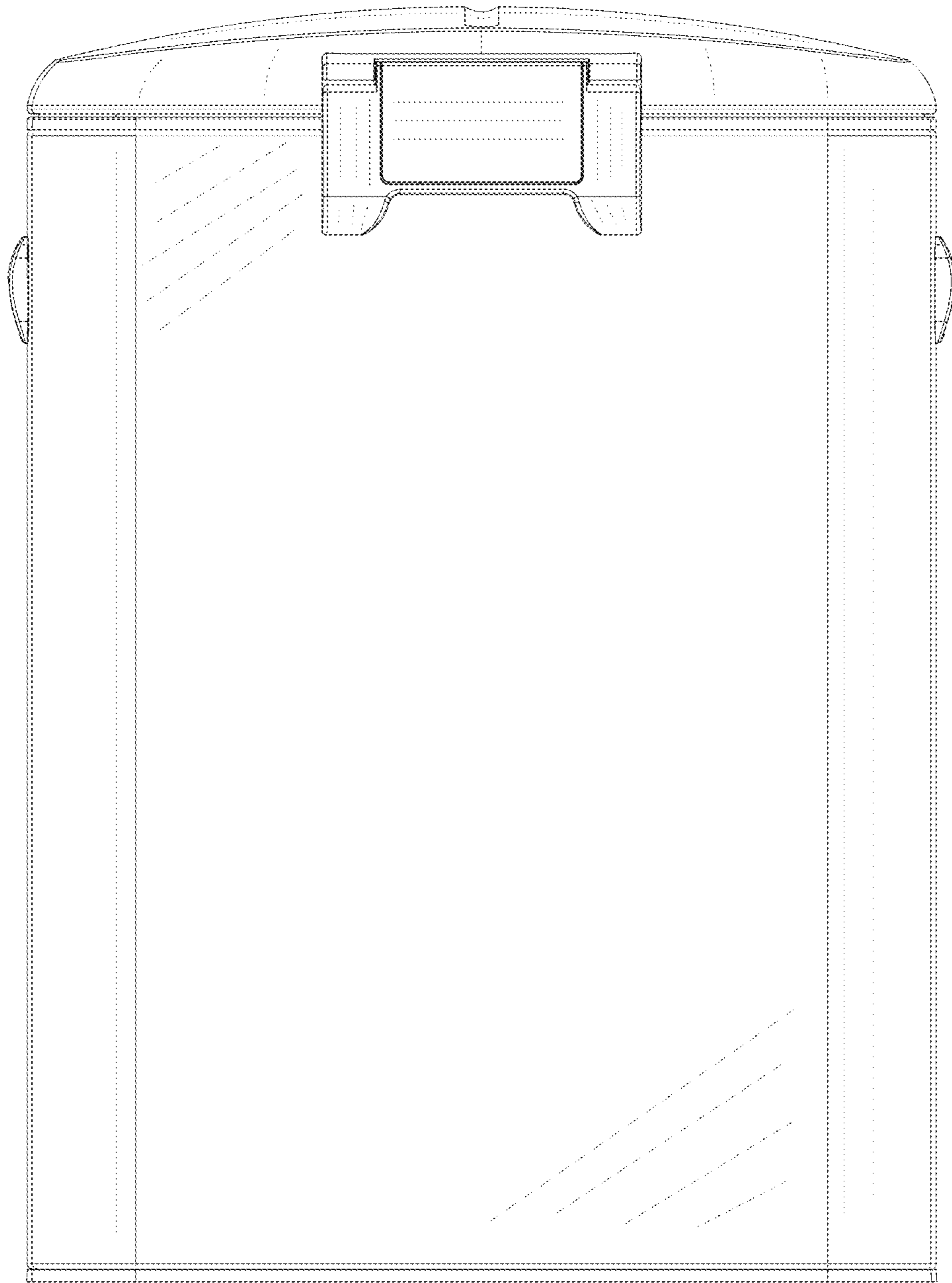


FIG.3



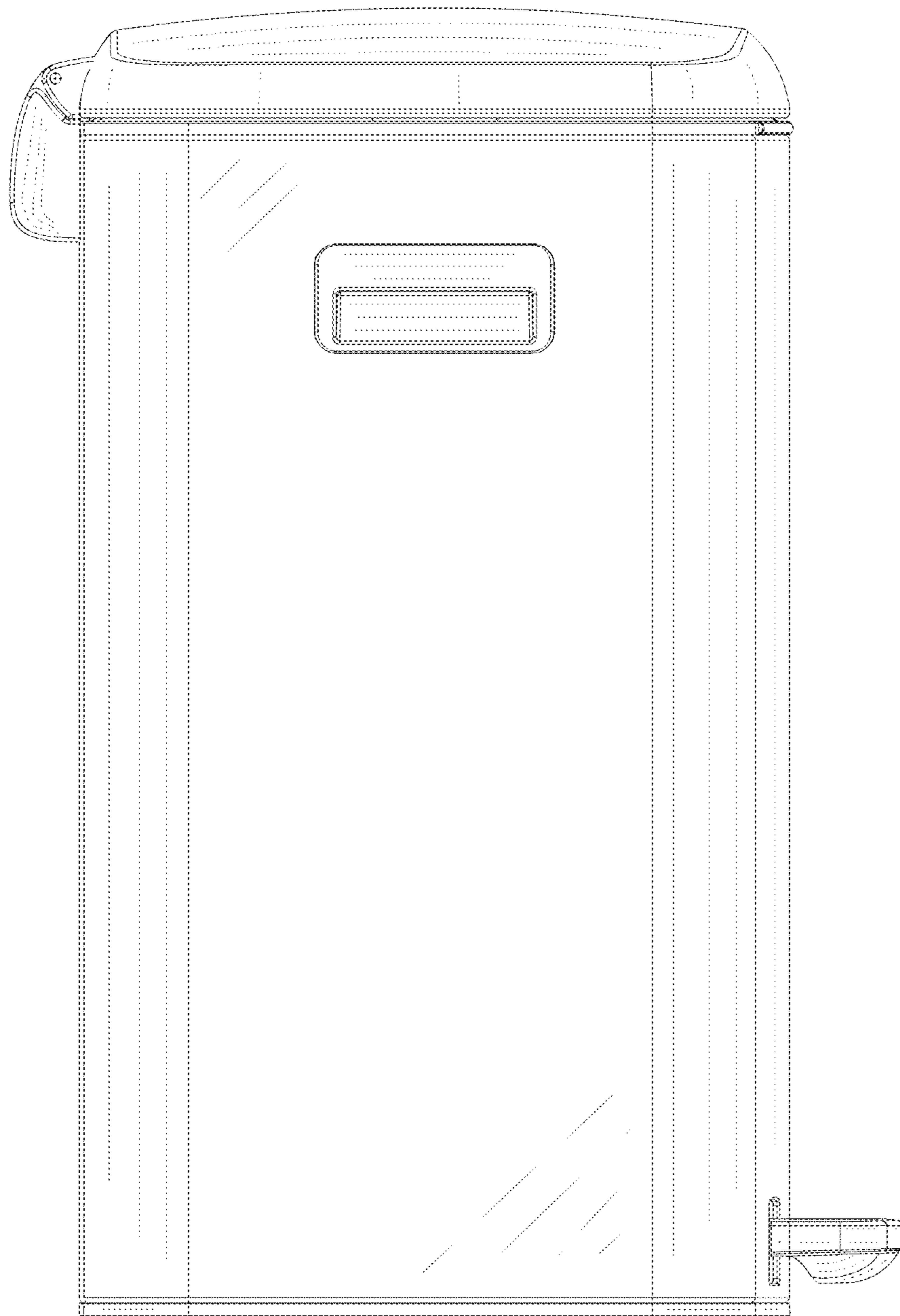


FIG.4

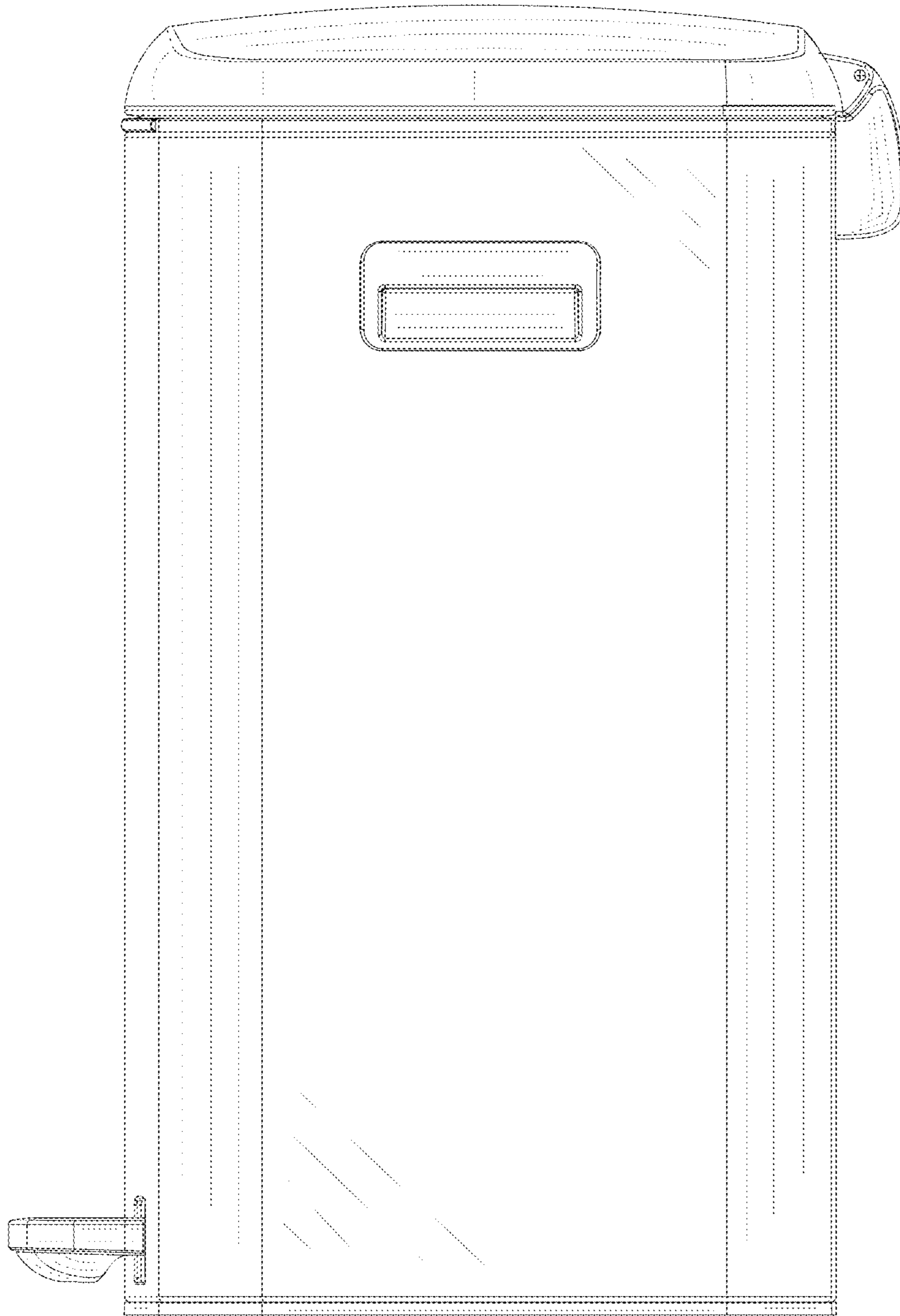


FIG.5

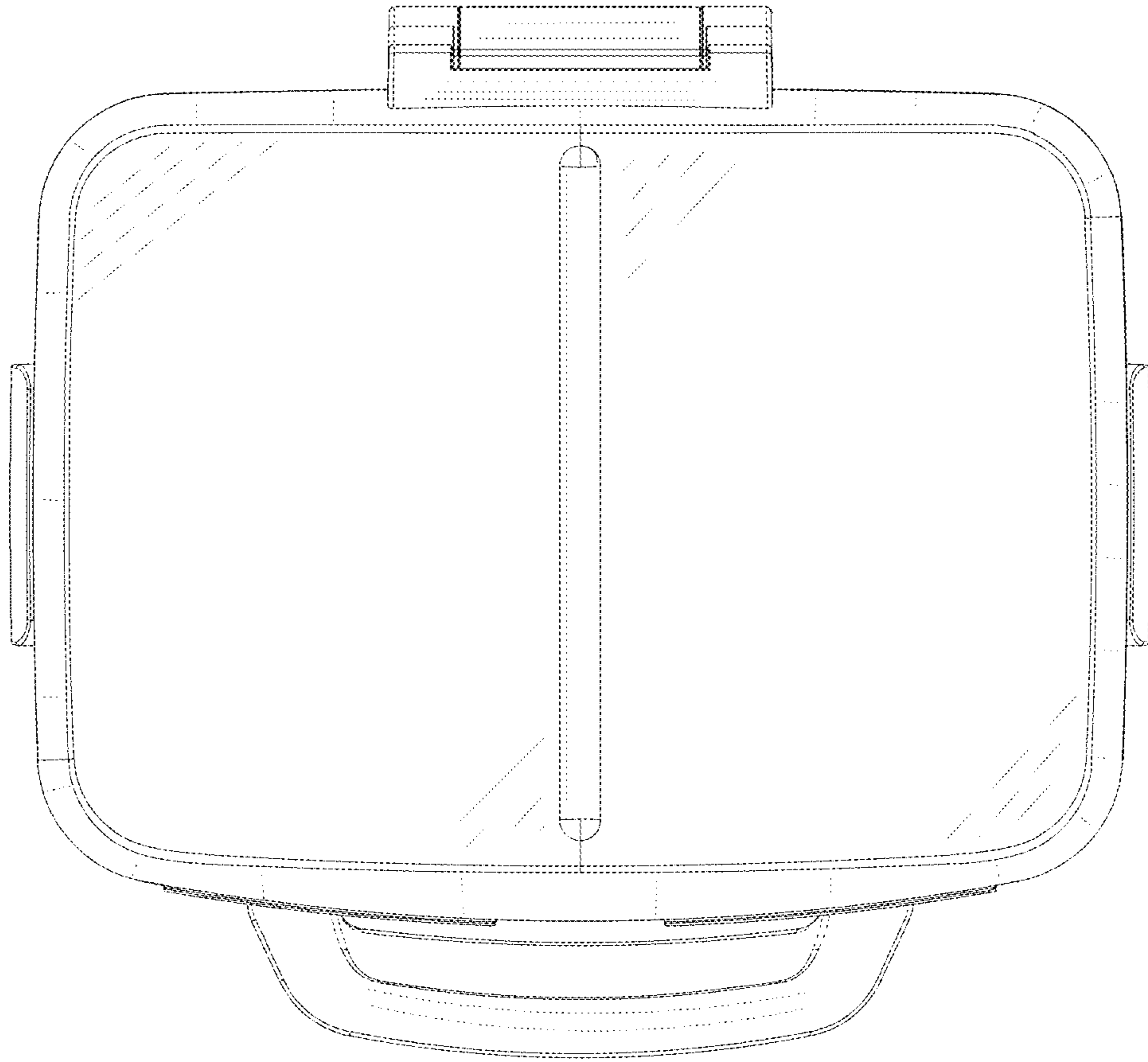


FIG.6

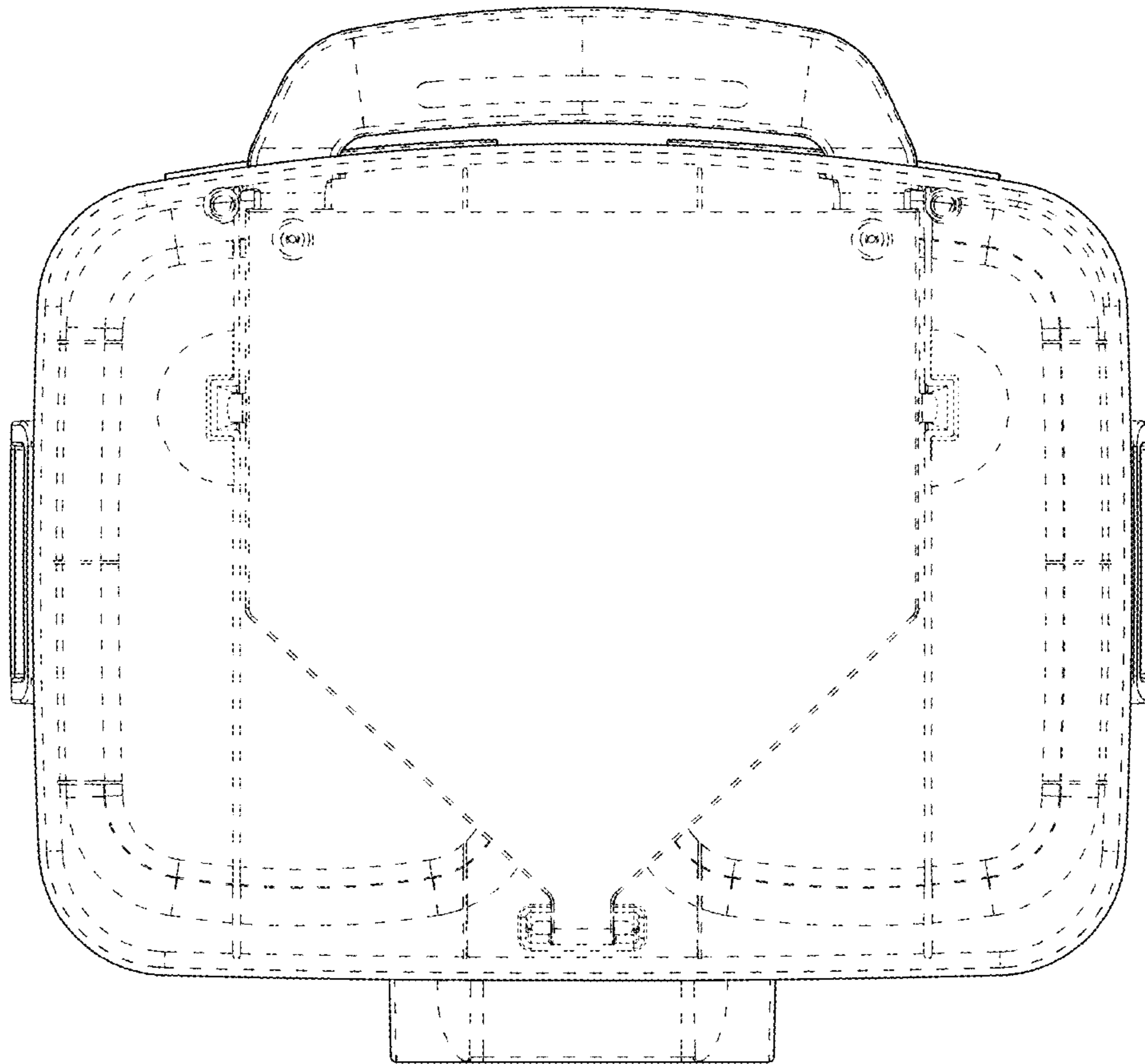


FIG.7