



US00D882200S

(12) **United States Design Patent**  
**Cahen**

(10) **Patent No.:** **US D882,200 S**

(45) **Date of Patent:** **\*\* Apr. 21, 2020**

(54) **MOBILE IRON SUPPORT**

(71) Applicant: **LAURASTAR SA**, Châtel-St-Denis (CH)

(72) Inventor: **Antoine Cahen**, Lausanne (CH)

(73) Assignee: **Laurastar SA**, Châtel-St-Denis (CH)

(\*\*) Term: **15 Years**

(21) Appl. No.: **35/506,370**

(22) Filed: **Aug. 28, 2018**

(80) **Hague Agreement Data**

Int. Filing Date: **Aug. 28, 2018**

Int. Reg. No.: **DM/103368**

Int. Reg. Date: **Aug. 28, 2018**

Int. Reg. Pub. Date: **Mar. 1, 2019**

(51) **LOC (12) Cl.** ..... **07-05**

(52) **U.S. Cl.**  
USPC ..... **D32/73**

(58) **Field of Classification Search**

USPC ..... D32/17, 68, 70, 73

CPC ..... D06F 73/00; D06F 79/02; D06F 75/14;

D06F 75/38; D06F 87/00; F22B 27/14;

B08B 3/006

See application file for complete search history.

(56) **References Cited**

**U.S. PATENT DOCUMENTS**

D275,043 S \* 8/1984 Mulay ..... D32/73

D280,455 S \* 9/1985 Negrich ..... D32/73

D592,368 S \* 5/2009 Massip ..... D32/34

D607,620 S \* 1/2010 Massip ..... D32/17

D680,291 S \* 4/2013 Shepherd ..... 248/117.1

D707,000 S \* 6/2014 Massip ..... D32/17  
D770,104 S \* 10/2016 Koehler ..... D32/17  
D788,397 S \* 5/2017 Tan ..... D32/73

**OTHER PUBLICATIONS**

Laurastar Rolling Cart. © 1995-2019; 2 pages. Found Nov. 13, 2019 at [https://www.allbrands.com/products/95739-laurastar-rolling-cart-for-lift-steam-irons-from-s?utm\\_source=froogle&utm\\_medium=feed&utm\\_campaign=feeds&utm\\_term=LauraStar&gclid=CjwKCAiA8K7uBRBBEiwACOm4d8dt2CqjRmdHv0MSW8aOJnPTMDn7oCdj5Y1VVkqPG8ARSZ9pl4wjQ](https://www.allbrands.com/products/95739-laurastar-rolling-cart-for-lift-steam-irons-from-s?utm_source=froogle&utm_medium=feed&utm_campaign=feeds&utm_term=LauraStar&gclid=CjwKCAiA8K7uBRBBEiwACOm4d8dt2CqjRmdHv0MSW8aOJnPTMDn7oCdj5Y1VVkqPG8ARSZ9pl4wjQ).\*

\* cited by examiner

*Primary Examiner* — Robert M. Spear

(74) *Attorney, Agent, or Firm* — Andre Roland S.A.;  
Nikolaus Schibli

(57) **CLAIM**

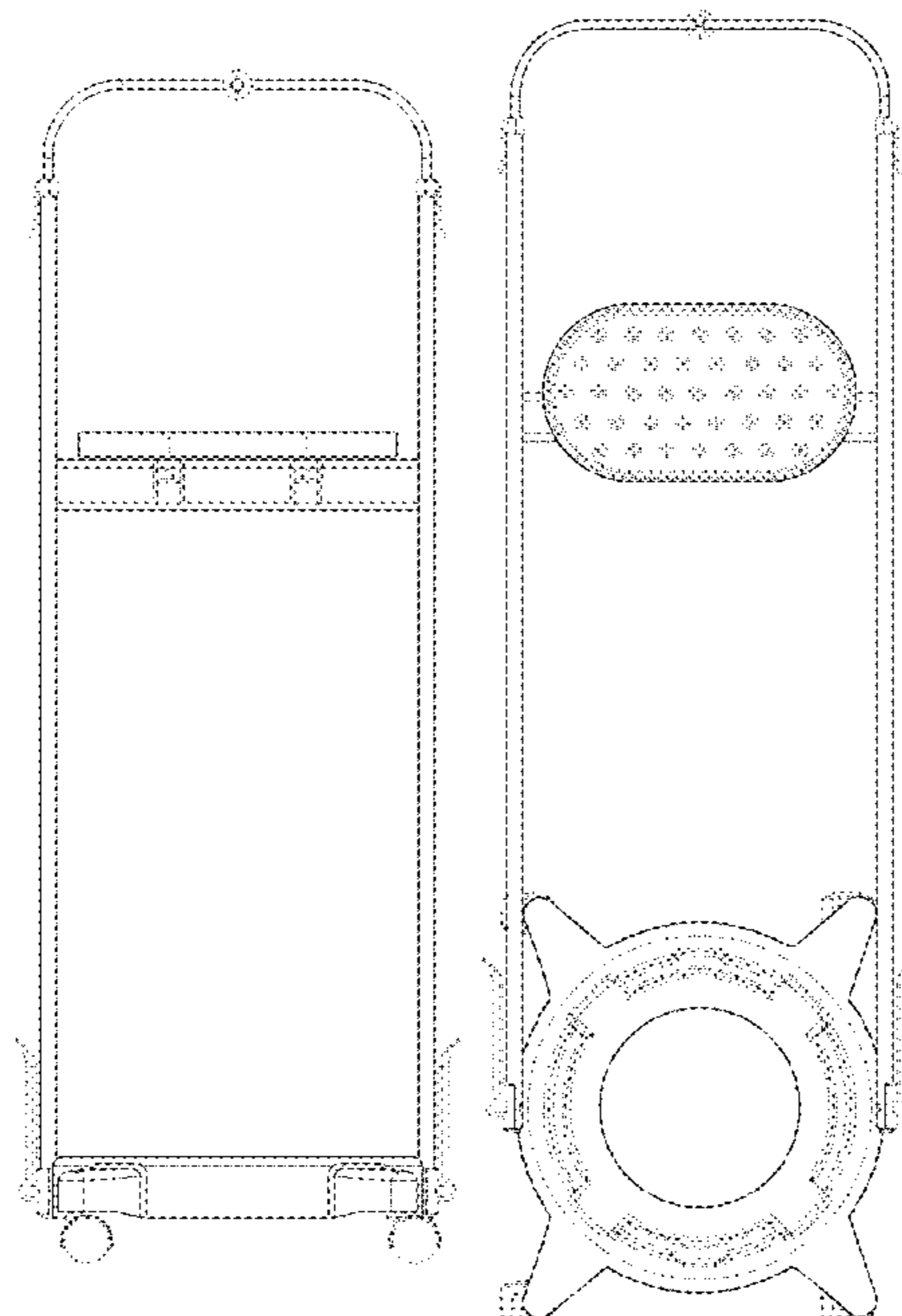
The ornamental design for a mobile iron support, as shown and described.

**DESCRIPTION**

FIG. 1.1 is a top view of the mobile iron support;  
FIG. 1.2 is a side view thereof;  
FIG. 1.3 is a bottom view thereof;  
FIG. 1.4 is a front view thereof when extended;  
FIG. 1.5 is a front view thereof;  
FIG. 1.6 is a side view when the mobile iron support is in a folded state; and  
FIG. 1.7 is a front view when the mobile iron support is in a folded state.

The broken lines shown throughout the views of the drawings are for the purpose of illustrating portions of the mobile iron support, and form no part of the claimed design.

**1 Claim, 7 Drawing Sheets**



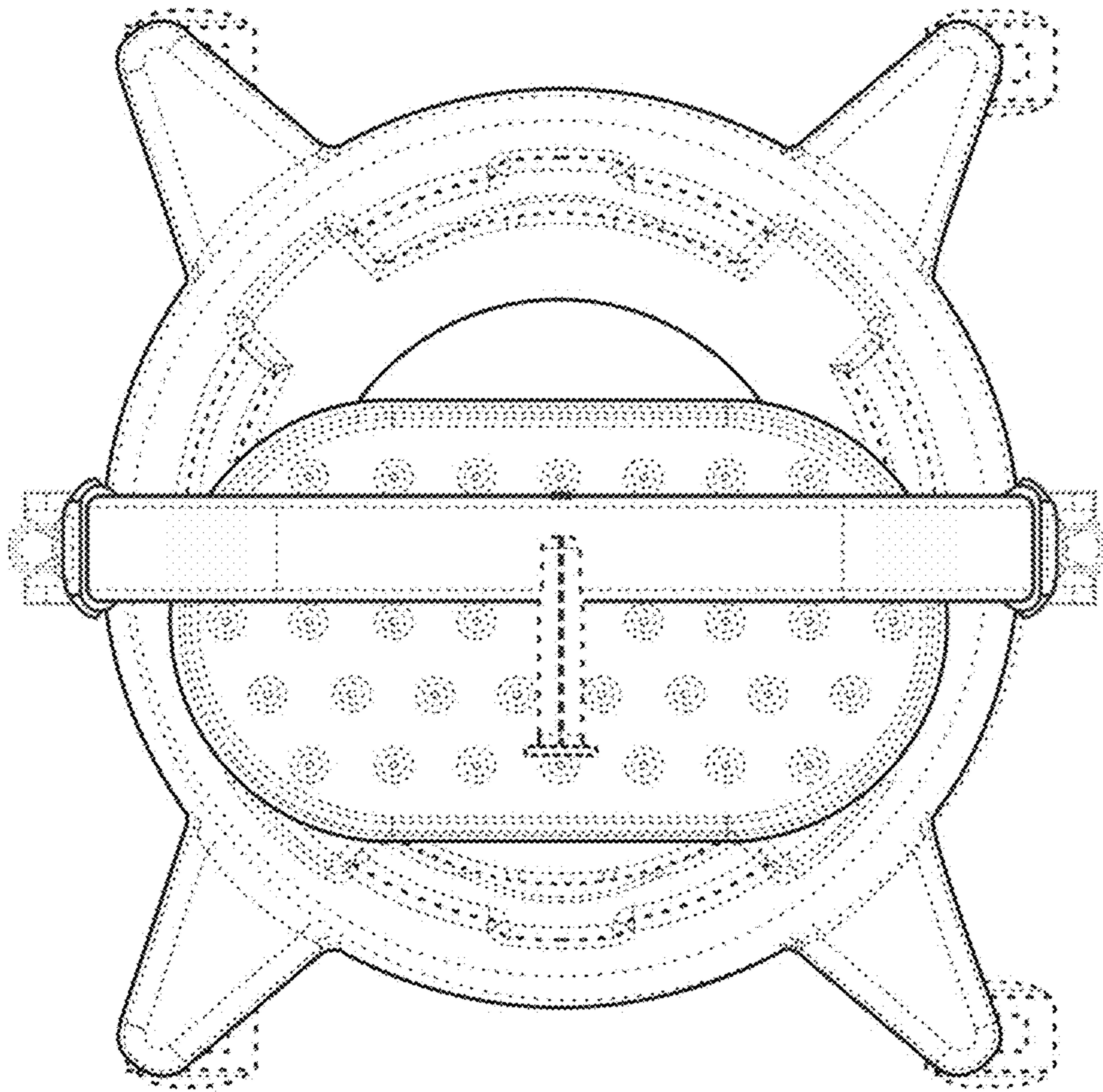


FIG. 1.1

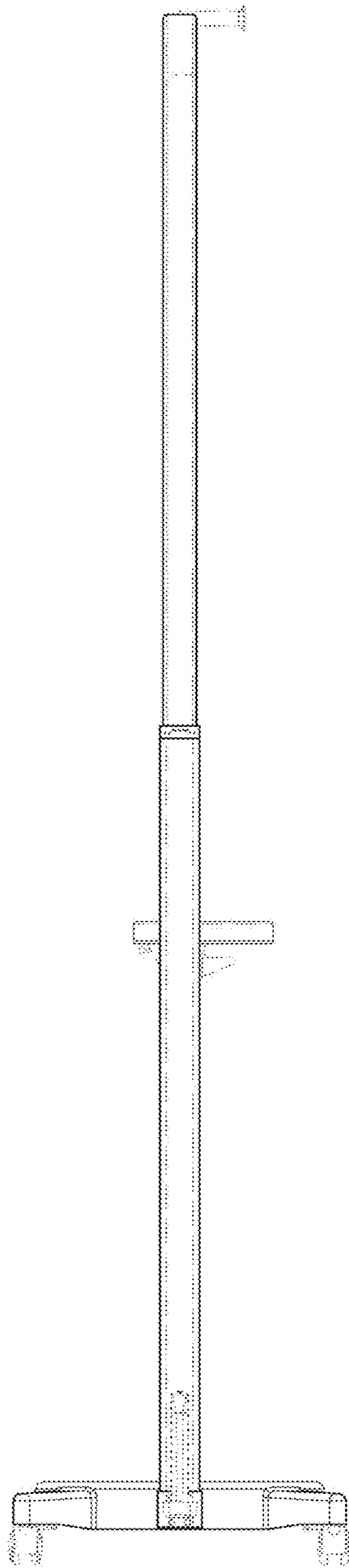


FIG. 1.2

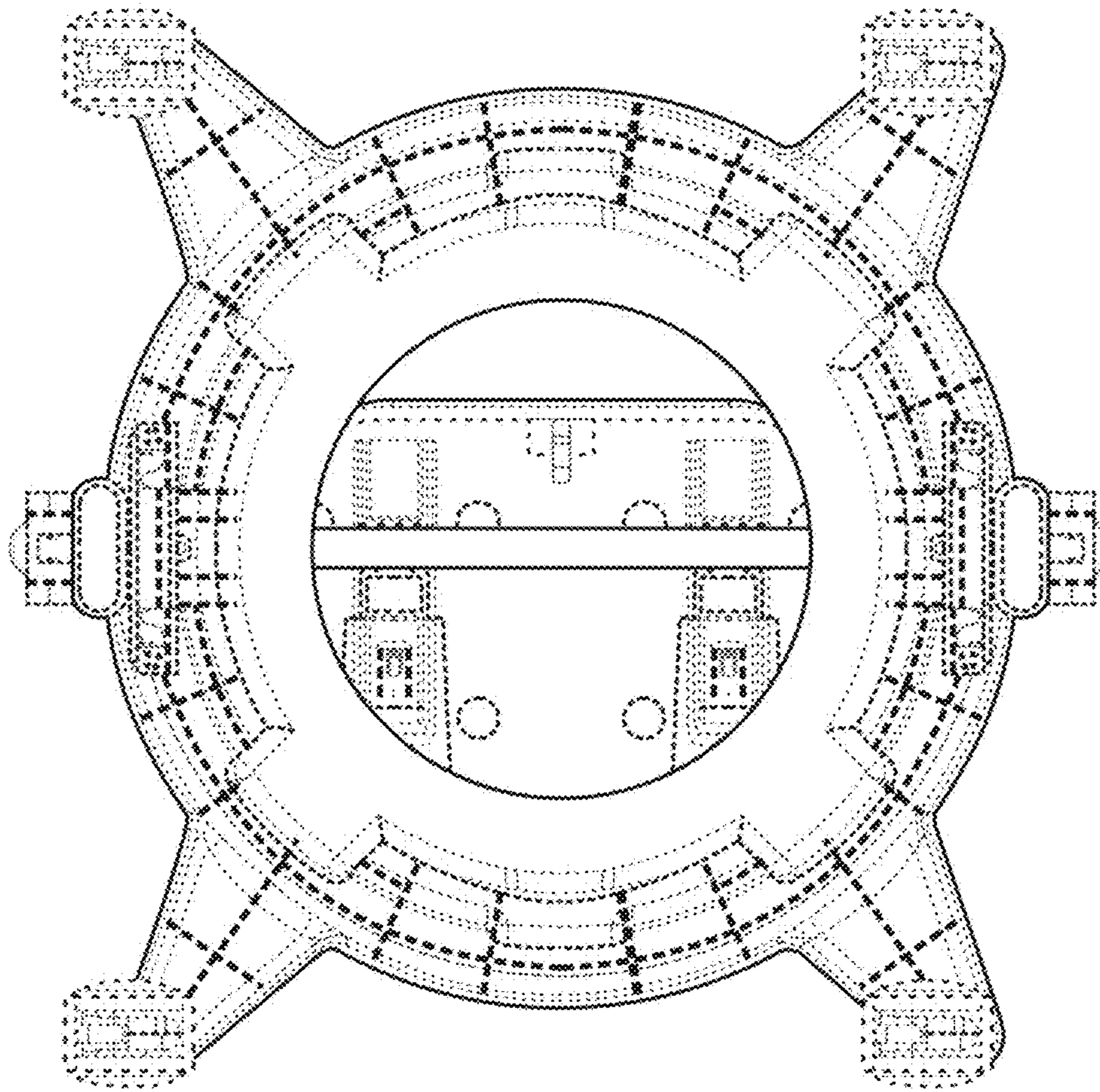


FIG. 1.3

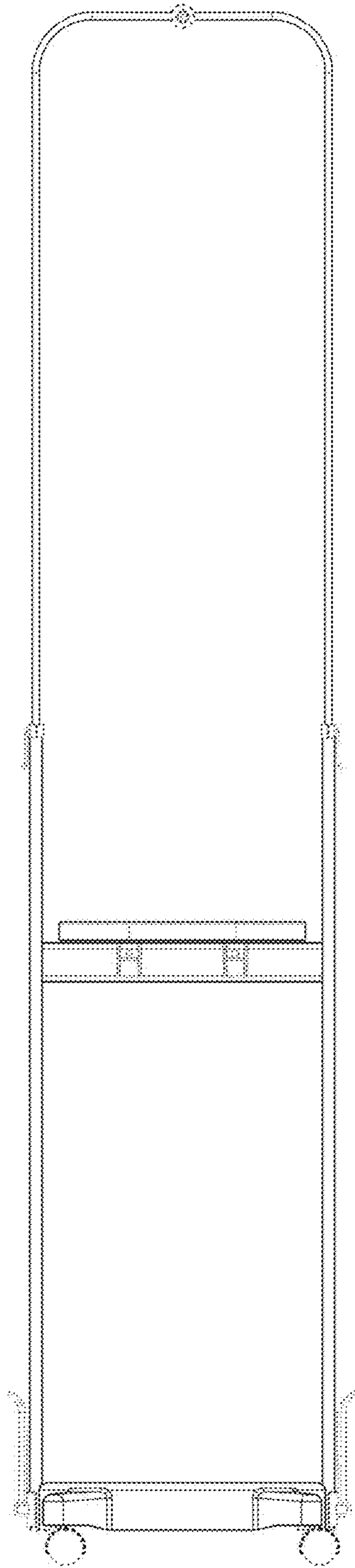


FIG. 1.4

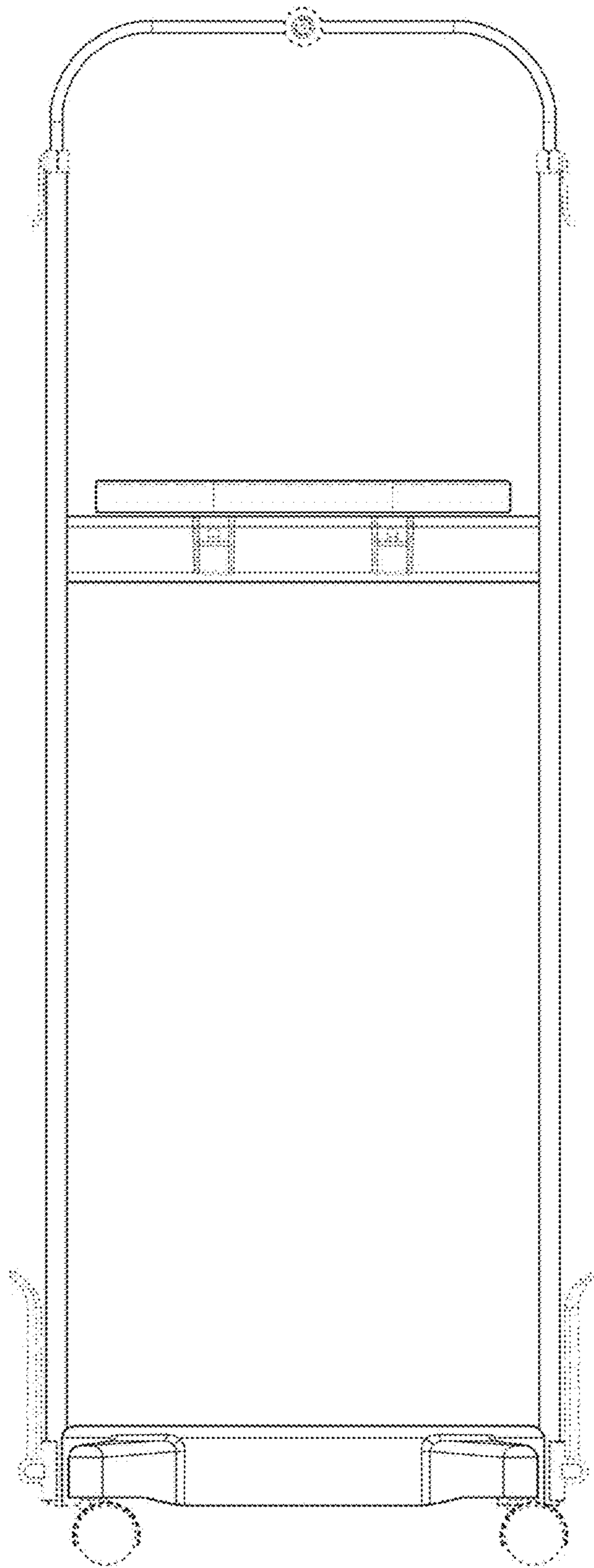


FIG. 1.5

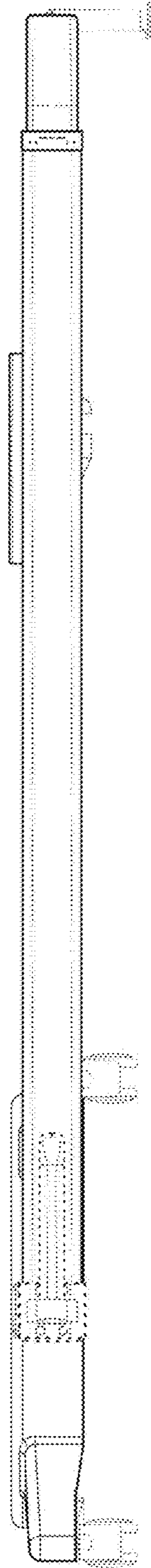


FIG. 1.6

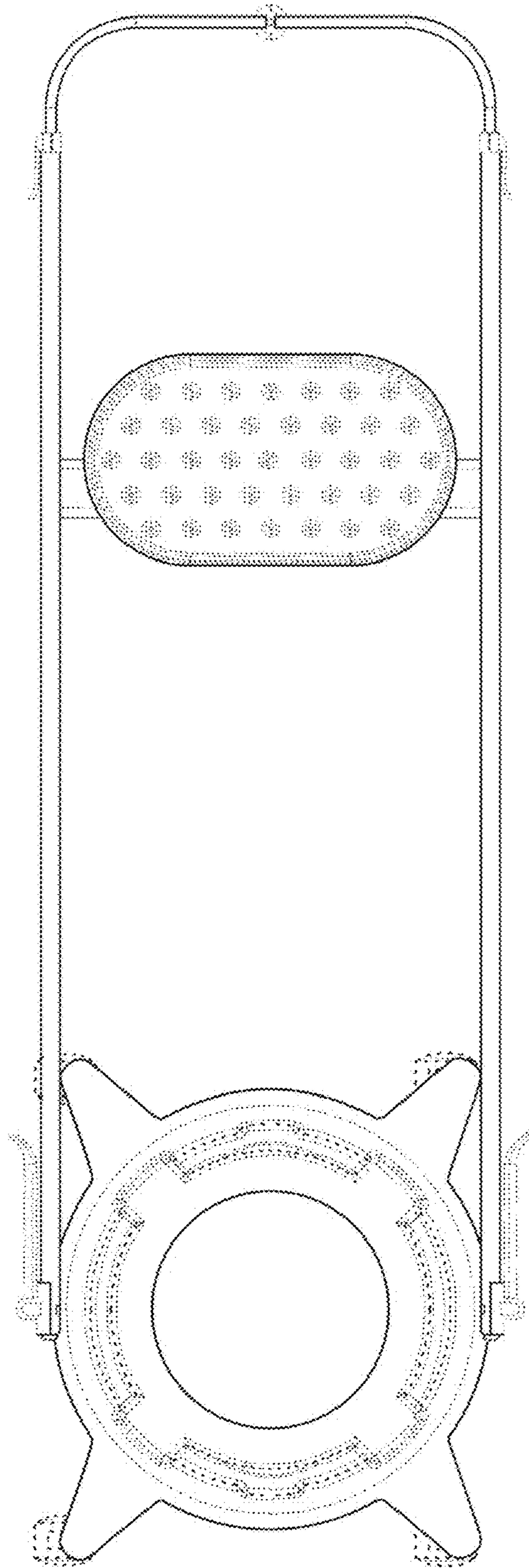


FIG. 1.7