



US00D882197S

(12) **United States Design Patent**
Zemel et al.

(10) **Patent No.:** **US D882,197 S**

(45) **Date of Patent:** **** Apr. 21, 2020**

(54) **GRILL CLEANER**

(71) Applicant: **Mr. Bar-B-Q Products LLC**, Melville,
NY (US)

(72) Inventors: **Marc Zemel**, Melville, NY (US);
Jeffrey Rosenberger, Elizabethtown,
PA (US)

(73) Assignee: **MR. BAR-B-Q PRODUCTS LLC**,
Melville, NY (US)

(**) Term: **15 Years**

(21) Appl. No.: **29/662,354**

(22) Filed: **Sep. 5, 2018**

(51) **LOC (12) Cl.** **07-05**

(52) **U.S. Cl.**
USPC **D32/46**

(58) **Field of Classification Search**
USPC D7/678; D32/40, 43, 45-46, 50-52, 14;
D8/47, 82-86, 90; D21/449; D14/230;
D9/429, 434
CPC A47L 13/255; A47L 13/20; A63H 27/00;
B08B 9/045
See application file for complete search history.

(56) **References Cited**

U.S. PATENT DOCUMENTS

269,767	A	12/1882	Wilson	
D50,078	S *	12/1916	Schmitt	D32/46
1,726,017	A *	8/1929	Des Enfants, Sr.	B44D 3/162 30/333
1,898,747	A *	2/1933	Schacht	A47L 13/08 30/169
2,046,599	A	7/1936	Andrews	
2,173,700	A *	9/1939	Skarsten	B44D 3/162 30/171
D156,638	S *	12/1949	Lifschutz	D32/49
D170,460	S *	9/1953	Hauser	D32/49

2,747,911	A *	5/1956	Kuever	A47J 43/288 99/450
3,092,411	A *	6/1963	Hardy	A47J 43/288 294/7
3,229,316	A *	1/1966	Matheson	A47L 1/16 15/105

(Continued)

FOREIGN PATENT DOCUMENTS

CA	2023273	A1	2/1992
CA	2386483	A1	11/2003

(Continued)

OTHER PUBLICATIONS

Brushes, Scrapers, Wipes—Mr. Bar-B-Q, website 2018, <https://mrbarbq.com/product-category/brushes-scrapers-wipes/>, site visited Dec. 22, 2019.*

(Continued)

Primary Examiner — John R Yeh

(74) *Attorney, Agent, or Firm* — Carter, DeLuca & Farrell
LLP

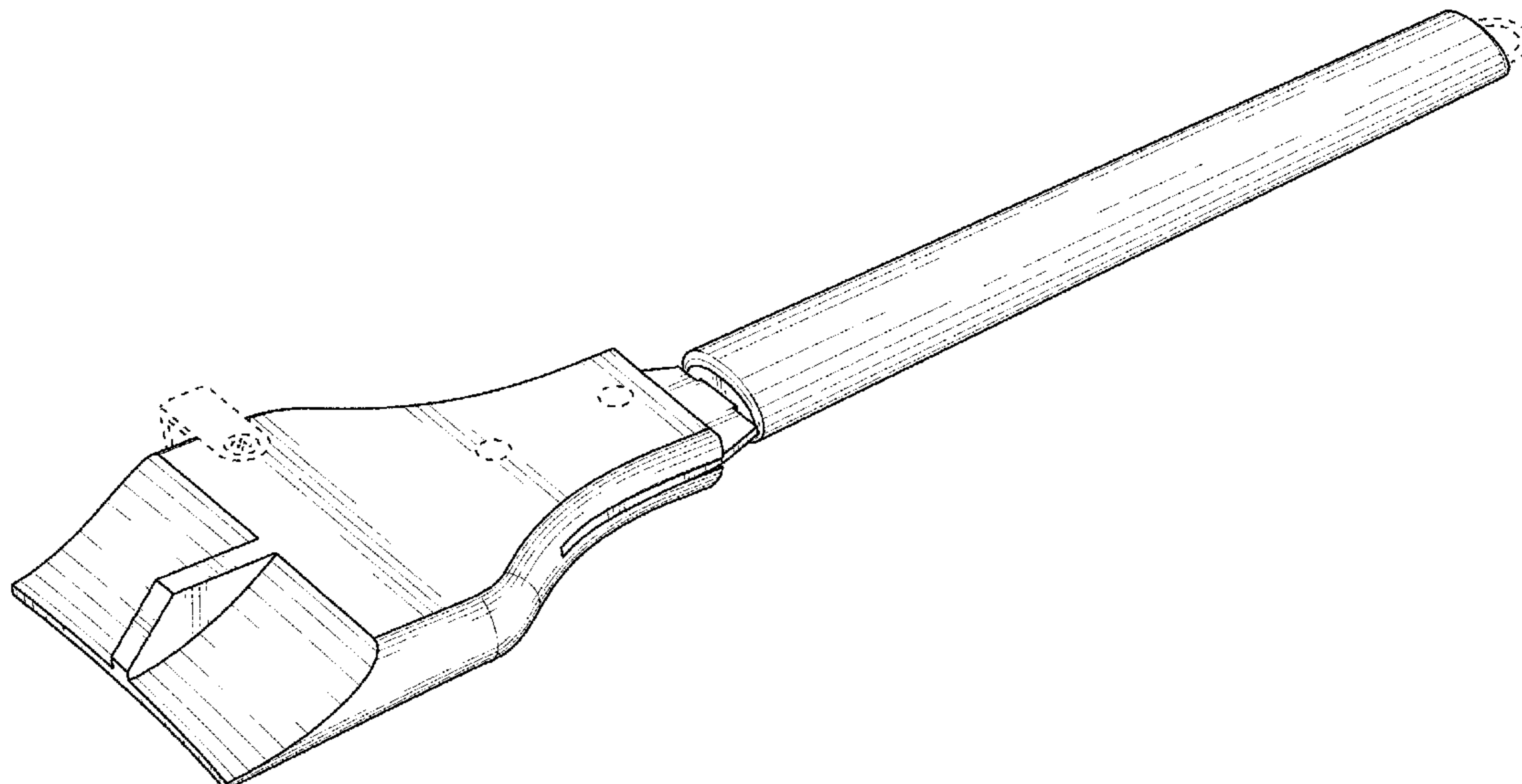
(57) **CLAIM**

The ornamental design for a grill cleaner, as shown and described.

DESCRIPTION

FIG. 1 is a bottom perspective view of a grill cleaner in accordance with the present design;
FIG. 2 is a left side elevational view thereof;
FIG. 3 is a right side elevational view thereof;
FIG. 4 is a front elevational view thereof;
FIG. 5 is a rear elevational view thereof;
FIG. 6 is a bottom plan view thereof; and,
FIG. 7 is a top plan view thereof.
The broken lines shown in the drawings illustrate portions of the grill cleaner that form no part of the claimed design.

1 Claim, 4 Drawing Sheets



(56)

References Cited

U.S. PATENT DOCUMENTS

3,487,491 A 1/1970 Dunn
D222,329 S * 10/1971 Cuscovitch D8/15
D268,215 S 3/1983 McBride
D269,767 S 7/1983 Houlihan et al.
D288,975 S * 3/1987 Leray D32/49
5,001,948 A * 3/1991 Weible B25B 15/007
81/436
D321,962 S * 11/1991 Roma D32/49
D324,747 S 3/1992 Rood
D341,455 S * 11/1993 Roma D32/49
5,373,600 A 12/1994 Stojanovski et al.
5,440,777 A * 8/1995 Olivieri B44D 3/164
15/236.01
D362,936 S 10/1995 Shabel
D363,863 S 11/1995 Tipp
D364,015 S * 11/1995 Stoltzfus D32/46
D379,256 S 5/1997 Tipp
D381,149 S 7/1997 Mayo
D390,074 S * 2/1998 Lasecki D8/14
5,729,854 A 3/1998 Powers
D412,653 S * 8/1999 Dorer D8/86
6,039,372 A 3/2000 Noe et al.
D426,757 S 6/2000 McGrellis
6,263,578 B1 7/2001 Frantz et al.
6,276,023 B1 8/2001 Grundy
D459,187 S * 6/2002 Norton D8/14
6,745,428 B2 6/2004 MacLean
D496,566 S * 9/2004 Gaspar D8/14
7,013,524 B1 3/2006 McIlree, Sr.
7,039,983 B1 5/2006 Outlaw
D537,591 S 2/2007 Gringer et al.
D539,105 S 3/2007 Bennett
D569,566 S 5/2008 Pfitzinger
D624,262 S 9/2010 Gringer
D651,485 S 1/2012 Michalek
D664,318 S 7/2012 Thompson et al.
D664,319 S 7/2012 Thompson et al.

D677,847 S 3/2013 Thompson et al.
8,438,687 B2 5/2013 Cybulski et al.
D695,981 S * 12/2013 Myoung D32/46
8,741,068 B2 6/2014 Thompson et al.
D753,890 S 4/2016 Zemel et al.
9,545,173 B2 1/2017 Brown
9,820,612 B2 * 11/2017 Thompson A47L 17/06
9,943,885 B1 4/2018 Rosenberger
D828,666 S * 9/2018 Borovicka D32/40
D846,218 S * 4/2019 Thompson D32/46
D849,349 S * 5/2019 Boss D32/46
D850,043 S * 5/2019 Stubbs D32/46
D856,774 S * 8/2019 Kuperus D8/77
D860,566 S * 9/2019 Borovicka D32/46
D861,269 S * 9/2019 Thompson D32/40
2005/0150070 A1 7/2005 Persichina et al.
2005/0160544 A1 7/2005 Geller
2006/0207042 A1 9/2006 Di Paolo
2009/0031519 A1 2/2009 Carpenter
2009/0188061 A1 7/2009 Cybulski et al.
2011/0088265 A1 4/2011 Madren
2011/0258801 A1 10/2011 Thompson et al.
2013/0061411 A1 3/2013 Witzel et al.
2014/0298606 A1 10/2014 Thompson et al.
2016/0060884 A1 3/2016 Bernicke-Grussing et al.
2017/0203336 A1 7/2017 Rosenberger

FOREIGN PATENT DOCUMENTS

CA 2854057 A1 9/2015
CN 202913644 U 5/2013
WO WO D030713-001 * 11/1994

OTHER PUBLICATIONS

Amazon.com : Mr. BBQ Natural Wood Scraper, website 2020,
https://www.amazon.com/Mr-BBQ-Natural-Wood-Scraper/dp/B07DPKXTZ9/ref=asc_df_B... site visited Mar. 4, 2020.*

* cited by examiner

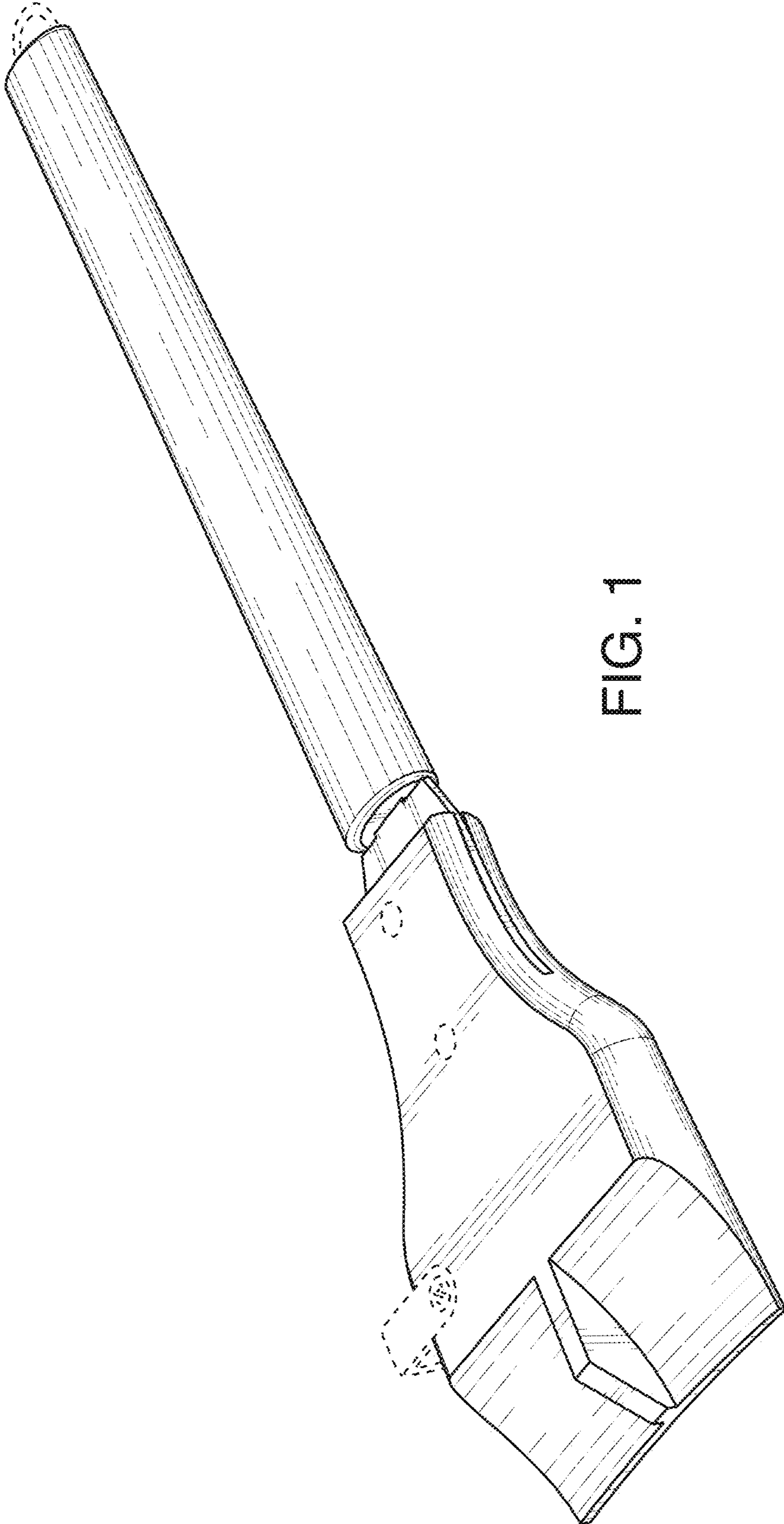


FIG. 1

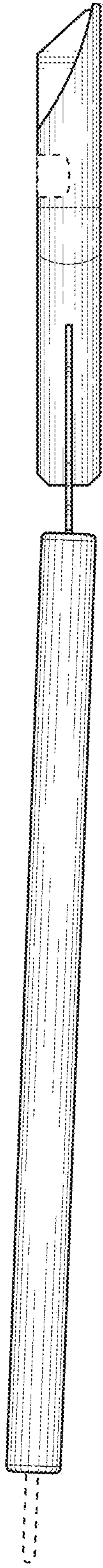


FIG. 2

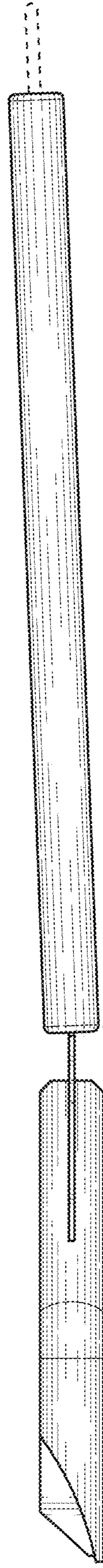


FIG. 3

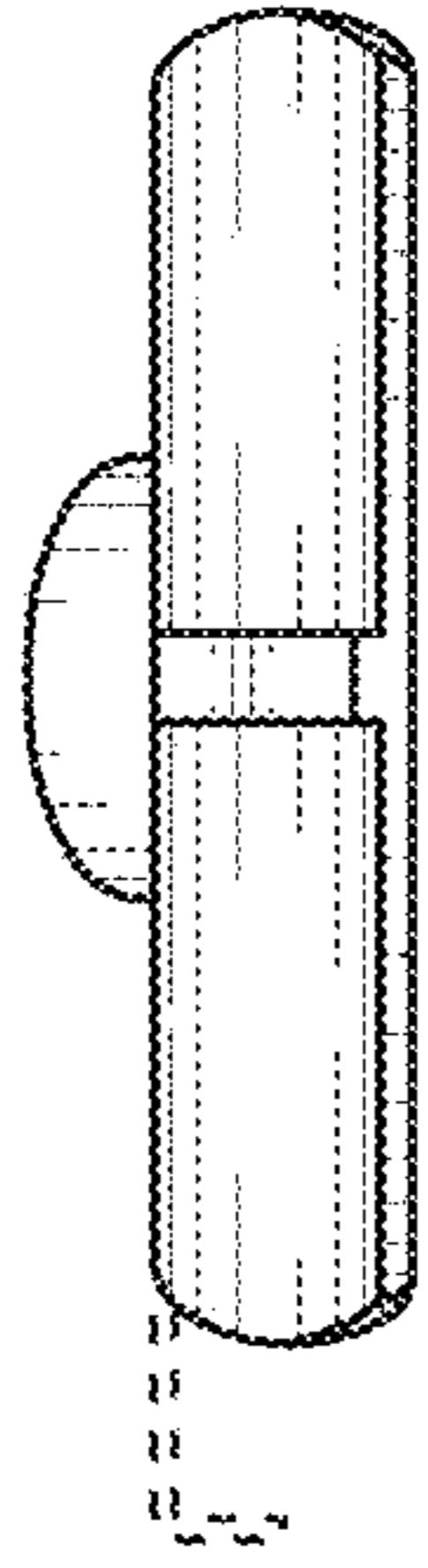


FIG. 4

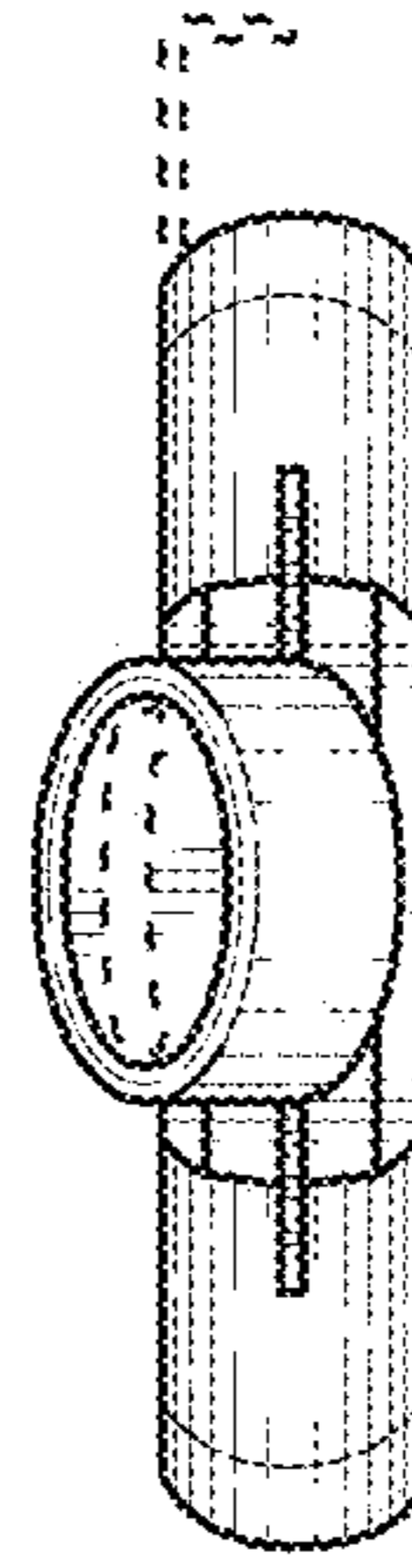


FIG. 5

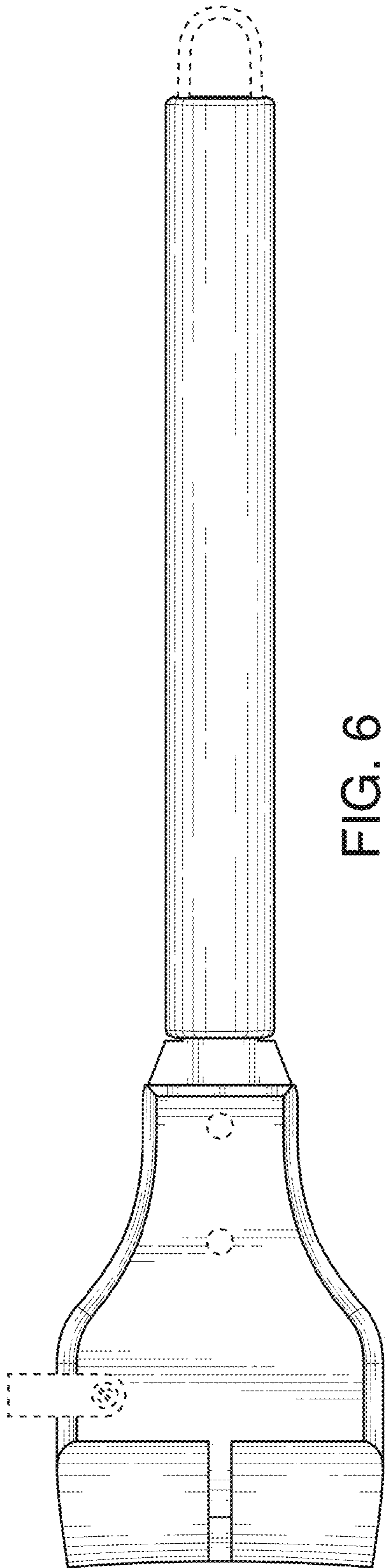


FIG. 6

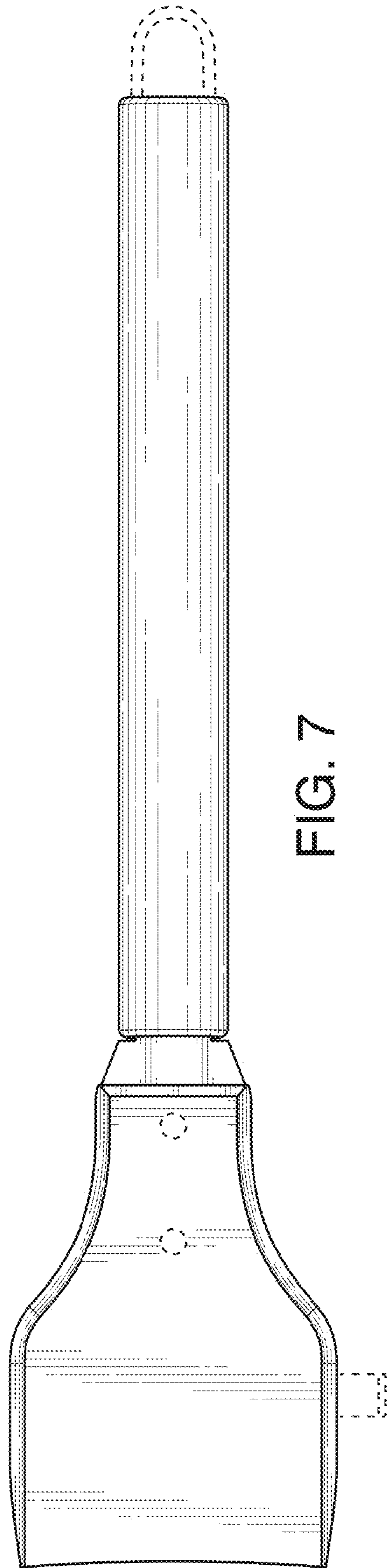


FIG. 7