



US00D882196S

(12) **United States Design Patent** (10) **Patent No.:** **US D882,196 S**
Lee et al. (45) **Date of Patent:** **** Apr. 21, 2020**

(54) **BRUSH FOR CLEANER** D796,136 S * 8/2017 Reynolds D32/33
D828,968 S * 9/2018 Tokoi D32/32
(71) Applicant: **Samsung Electronics Co., Ltd.**, D846,821 S * 4/2019 Palladino D32/32
Suwon-si (KR)

FOREIGN PATENT DOCUMENTS

(72) Inventors: **Hwandong Lee**, Seoul (KR);
Hyungsub Choi, Goyang-si (KR)
(73) Assignee: **SAMSUNG ELECTRONICS CO., LTD.**, Gyeonggi-Do (KR)
CN 304572369 4/2018
EM 0029045080016 7/2016
KR 300958504 5/2018
KR 3009617790005 7/2018

OTHER PUBLICATIONS

(**) Term: **15 Years**
(21) Appl. No.: **29/675,194**
(22) Filed: **Dec. 28, 2018**
(30) **Foreign Application Priority Data**
Aug. 29, 2018 (KR) 30-2018-0040344

Internet Newspaper, Posted Apr. 3, 2018, pp. 1-3, Retrieved from the Internet Sep. 10, 2018 <URL:http://www.ekn.kr/news/article_print.html?no=353392>.

* cited by examiner

Primary Examiner — Ruth McInroy
(74) *Attorney, Agent, or Firm* — Cantor Colburn LLP

(51) **LOC (12) Cl.** **15-05**
(52) **U.S. Cl.**
USPC **D32/33**

(57) **CLAIM**

The ornamental design for a brush for cleaner, as shown and described.

(58) **Field of Classification Search**
USPC D32/17, 31-34, 19-20, 22, 25, 40, 50
CPC . A47L 9/02; A47L 9/04; A47L 9/0461; A47L
5/26; A47L 5/28; A47L 11/4044
See application file for complete search history.

DESCRIPTION

(56) **References Cited**

U.S. PATENT DOCUMENTS

D585,167 S 1/2009 Wishney
D649,725 S * 11/2011 Fjellman D32/32
D686,379 S * 7/2013 Kim D32/32
D762,031 S * 7/2016 Niedzwecki D32/32
D770,711 S * 11/2016 Okada D32/32
D775,443 S * 12/2016 Kwon D32/33
D779,752 S * 2/2017 Johnson D32/32

FIG. 1 is a front perspective view of a brush for cleaner, showing our new design;
FIG. 2 is a front view thereof;
FIG. 3 is a rear view thereof;
FIG. 4 is a left-side view thereof;
FIG. 5 is a right-side view thereof;
FIG. 6 is a top view thereof; and,
FIG. 7 is a bottom view thereof.
The dot-dash broken lines in the figures represent a boundary of the claimed design and form no part of the claimed design. The broken lines illustrating portions of the brush for cleaner form no part of the claimed design.

1 Claim, 5 Drawing Sheets

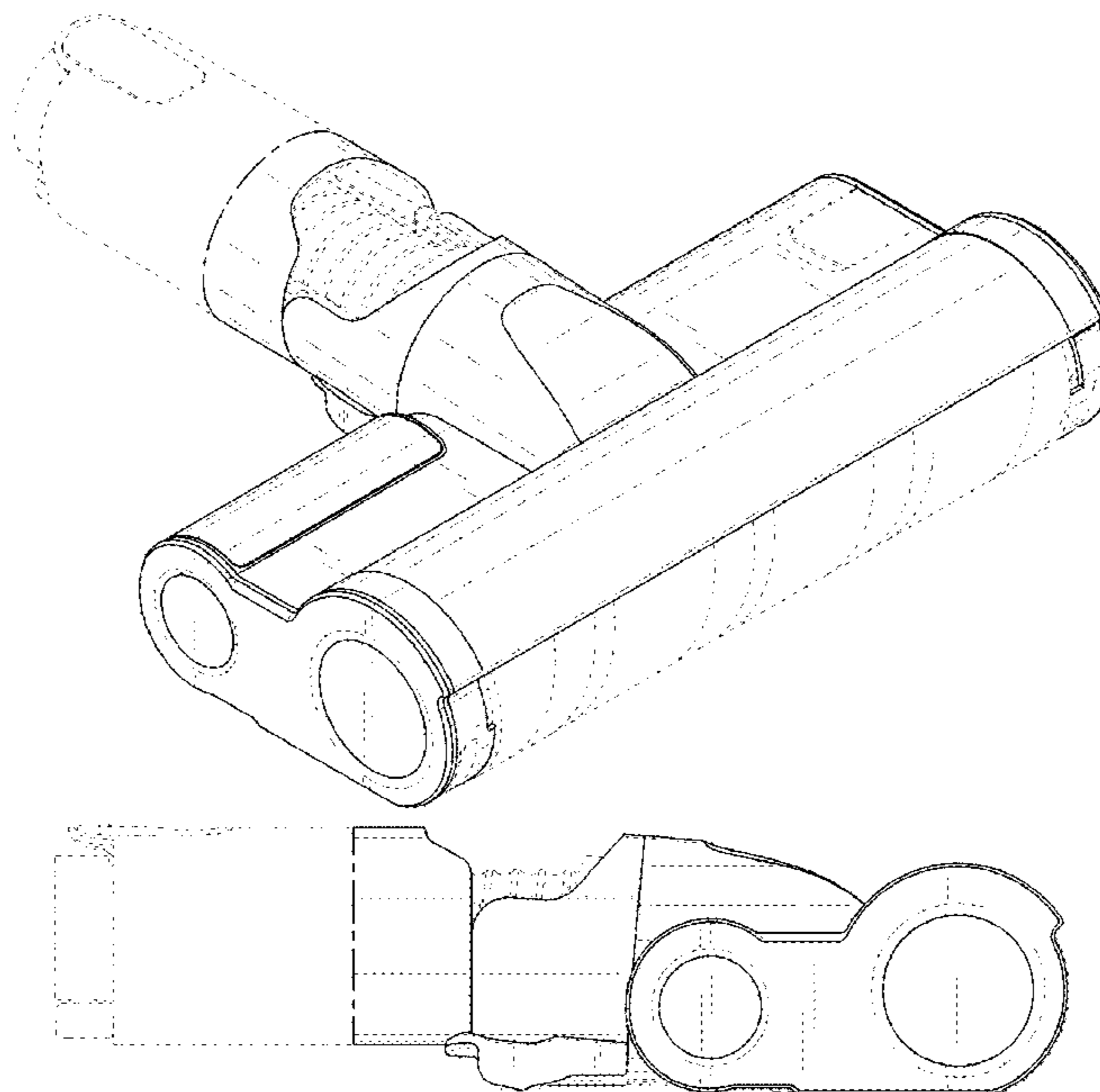


FIG. 1

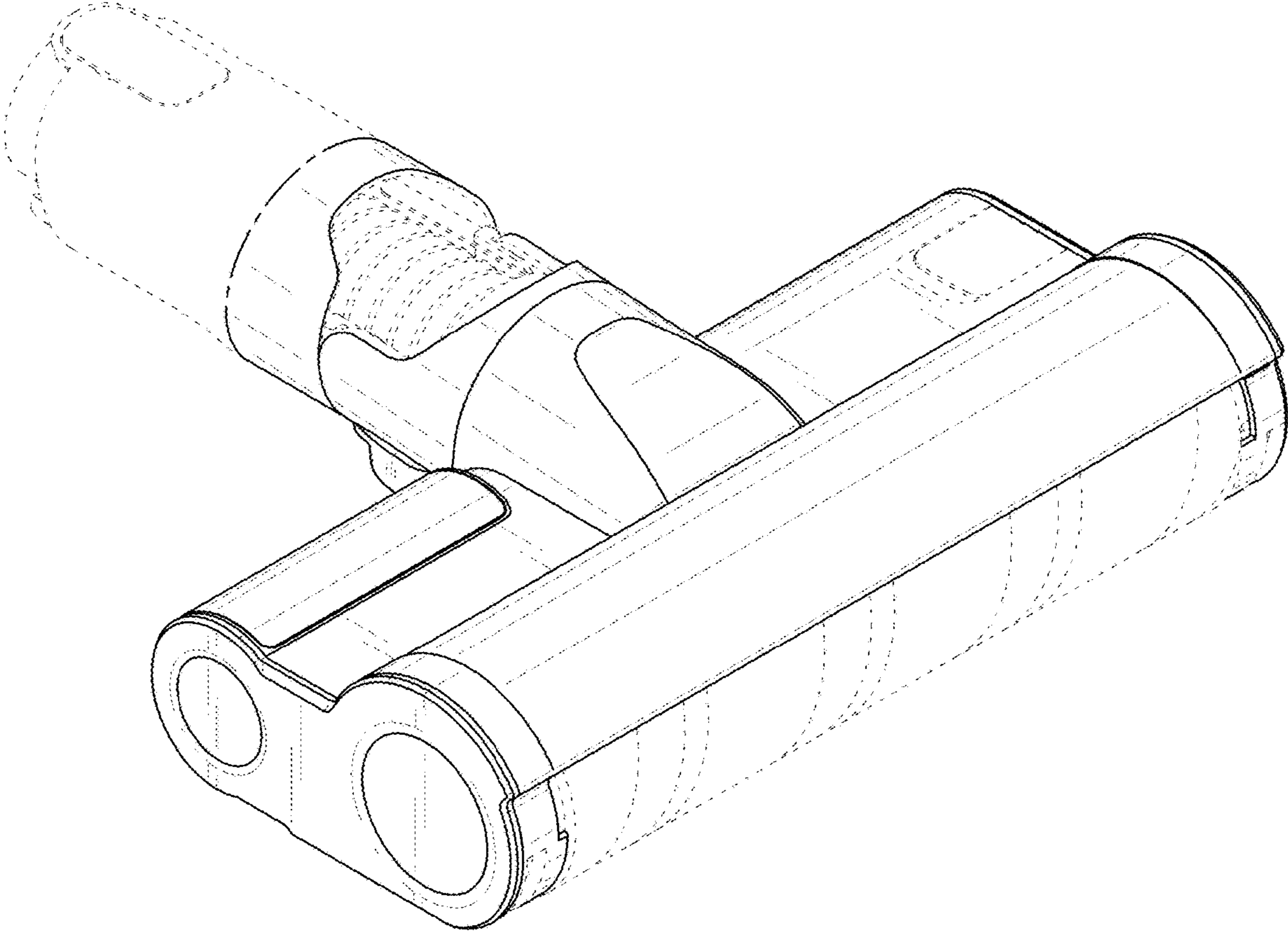


FIG. 2

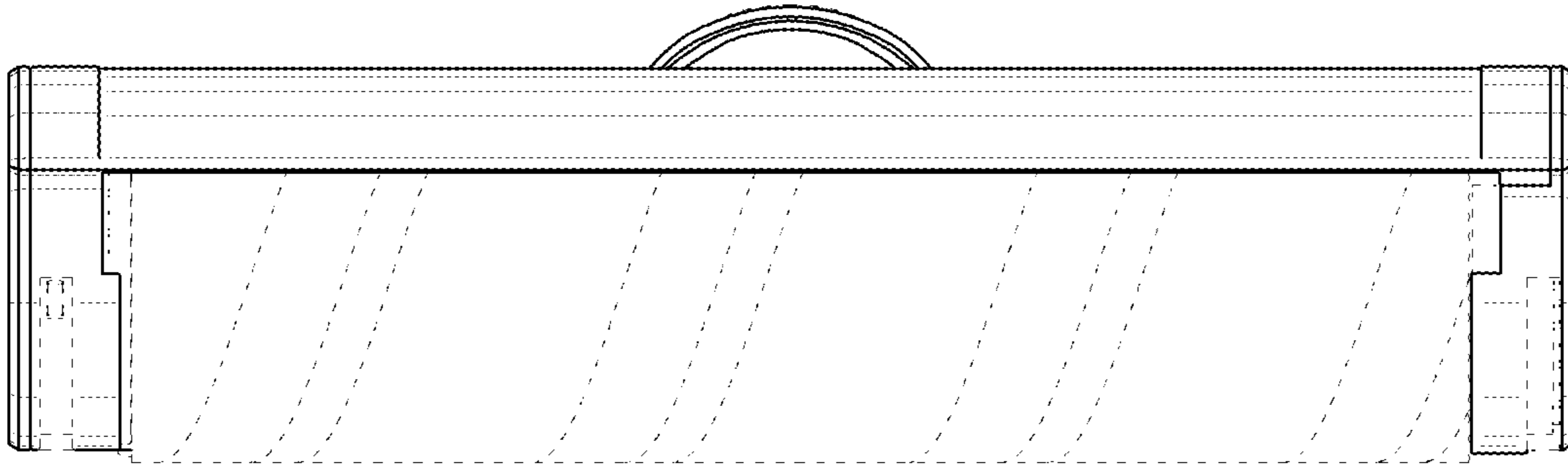


FIG. 3

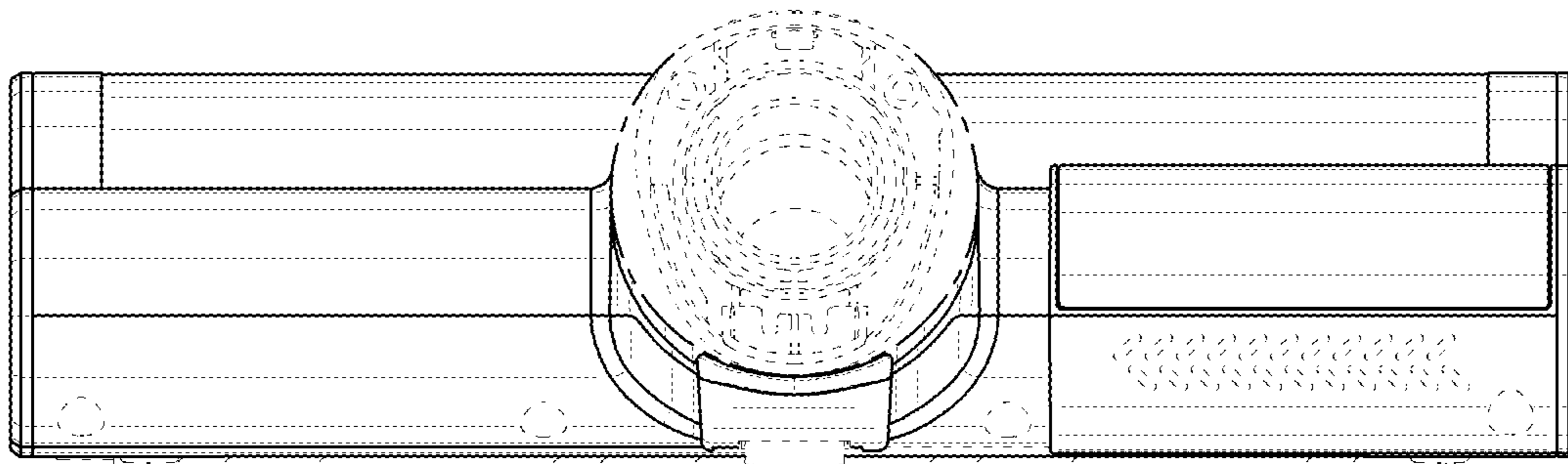


FIG. 4

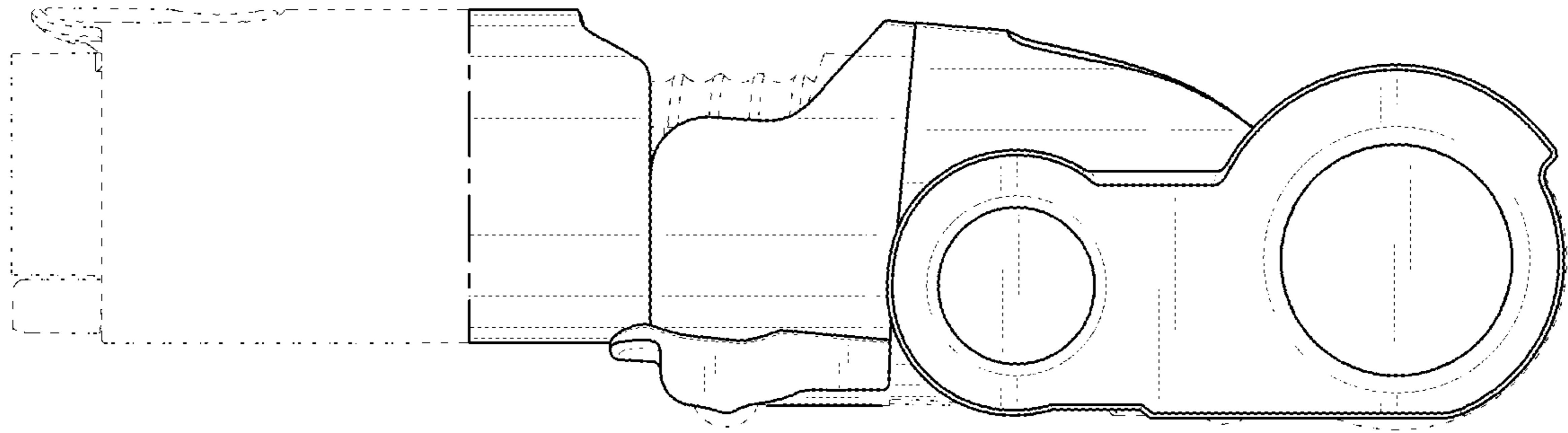


FIG. 5

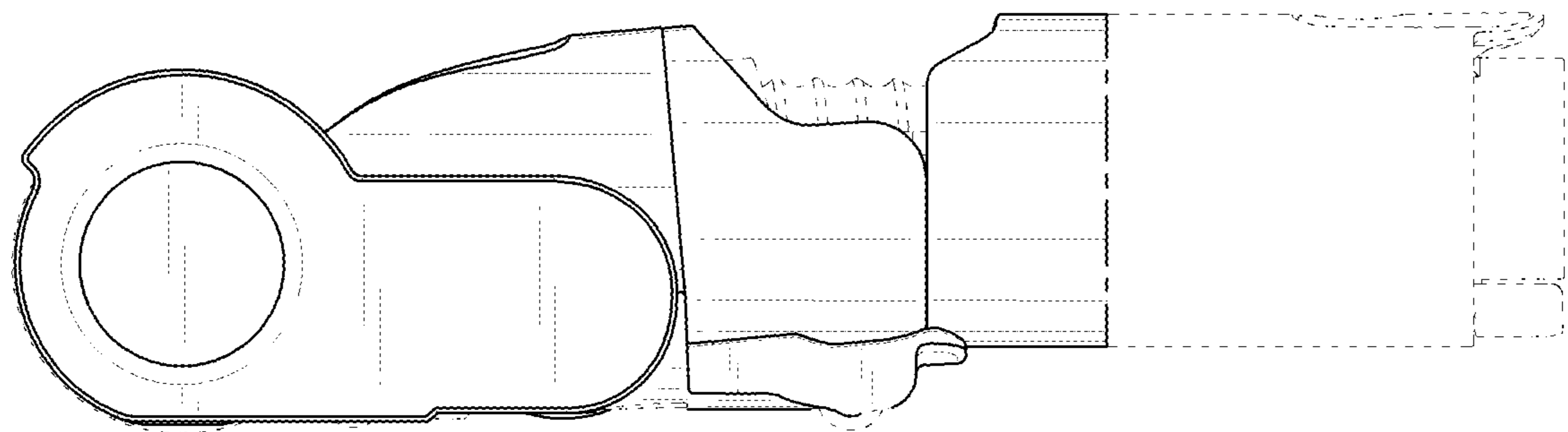


FIG. 6

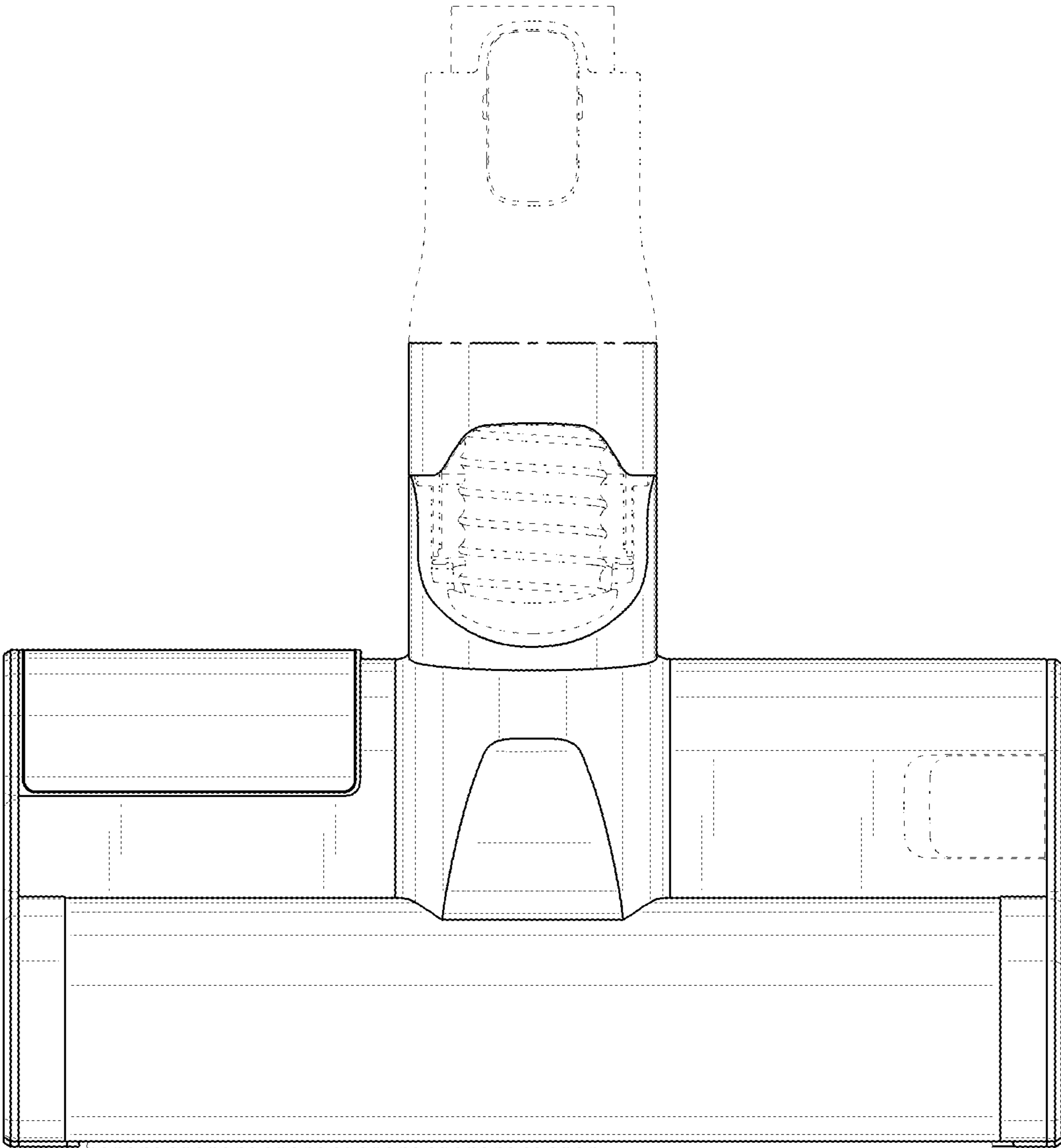


FIG. 7

