



US00D882195S

(12) **United States Design Patent**  
**Palladino et al.**

(10) **Patent No.:** **US D882,195 S**  
(45) **Date of Patent:** **\*\* Apr. 21, 2020**

(54) **DETACHABLE CANISTER FOR A VACUUM CLEANER**

(71) Applicant: **SHARKNINJA OPERATING LLC**,  
Needham, MA (US)

(72) Inventors: **Gary Palladino**, Sommerville, MA  
(US); **Owen R. Johnson**, Needham,  
MA (US)

(73) Assignee: **SharkNinja Operating LLC**,  
Needham, MA (US)

(\*\*) Term: **15 Years**

(21) Appl. No.: **29/659,465**

(22) Filed: **Aug. 9, 2018**

**Related U.S. Application Data**

(63) Continuation of application No. 29/611,782, filed on  
Jul. 25, 2017, now abandoned.

(51) **LOC (12) Cl.** ..... **15-05**

(52) **U.S. Cl.**  
USPC ..... **D32/31**

(58) **Field of Classification Search**  
USPC ..... D32/17, 22, 31  
CPC ..... A47L 11/20; A47L 11/30; A47L 11/34;  
A47L 7/0004; A47L 5/28; A47L 5/30;  
A47L 5/32

See application file for complete search history.

(56) **References Cited**

**U.S. PATENT DOCUMENTS**

6,012,200 A 1/2000 Murphy et al.  
6,226,832 B1 5/2001 McCormick  
D510,465 S 10/2005 Takahashi et al.  
7,200,893 B2 4/2007 Gerber et al.  
7,329,294 B2 2/2008 Conrad  
D573,759 S 7/2008 Konno et al.

D587,870 S 3/2009 Baek et al.  
D608,064 S 1/2010 Conrad et al.  
D611,210 S 3/2010 Conrad et al.  
7,690,079 B2 4/2010 Boddy et al.  
D633,264 S 2/2011 Lee  
8,032,983 B2 10/2011 Griffith et al.  
D662,271 S 6/2012 Conrad et al.  
D662,272 S 6/2012 Conrad et al.  
8,402,601 B2 3/2013 Fahlstrom  
D680,288 S 4/2013 Bilger et al.  
D685,961 S 7/2013 Bilger et al.  
D686,377 S 7/2013 Thorne  
D693,975 S 11/2013 Santiago et al.  
D695,980 S 12/2013 Thorne

(Continued)

**FOREIGN PATENT DOCUMENTS**

JP H10201682 A 8/1998  
WO 2014131106 A1 9/2014

*Primary Examiner* — Ruth McInroy

(74) *Attorney, Agent, or Firm* — Grossman Tucker  
Perreault & Pflieger, PLLC

(57) **CLAIM**

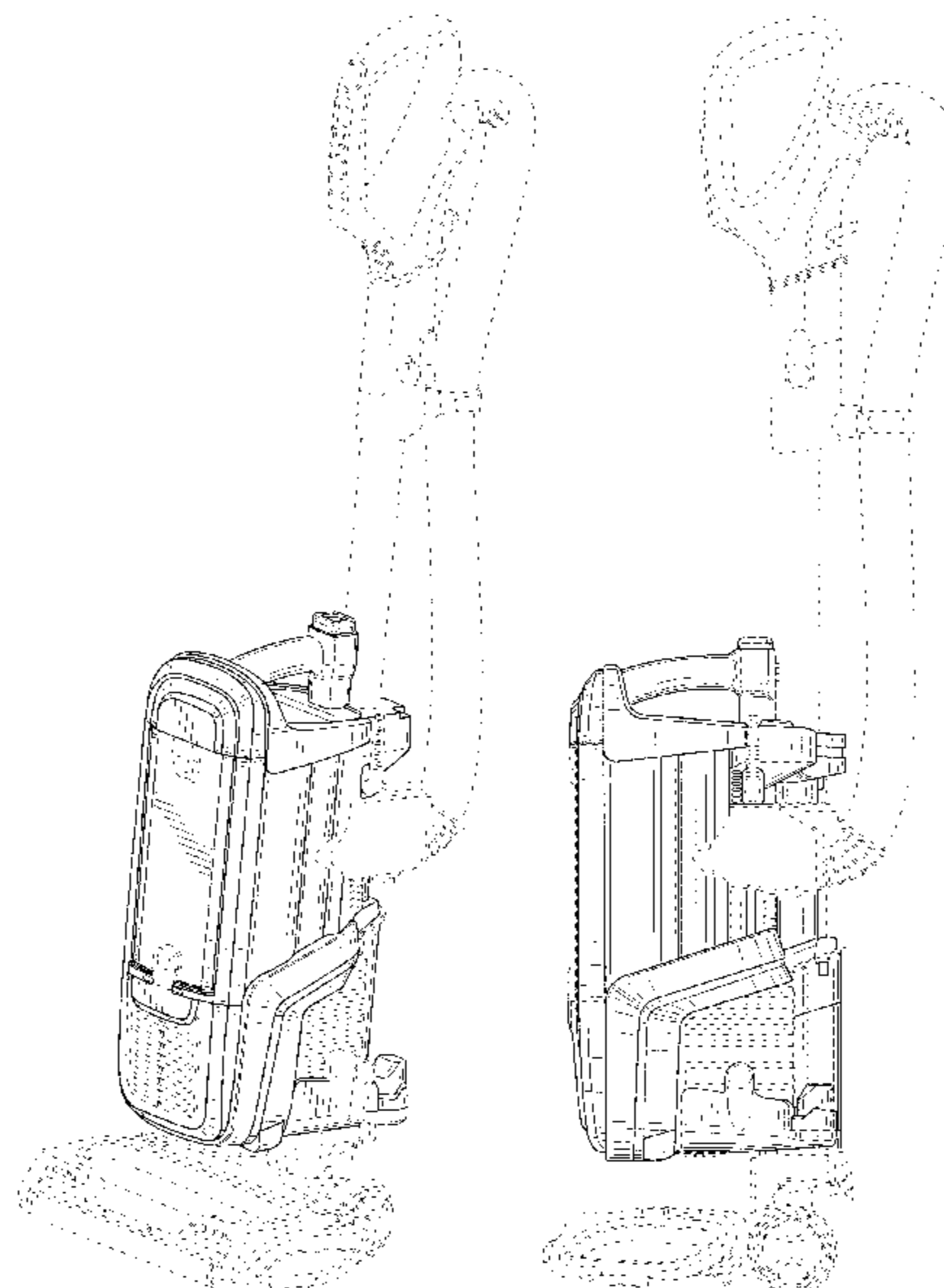
We claim the ornamental design for a detachable canister for  
a vacuum cleaner, as shown and described.

**DESCRIPTION**

FIG. 1 is a perspective view of a detachable canister for a  
vacuum cleaner, showing the new design;  
FIG. 2 is a front view thereof;  
FIG. 3 is a back view thereof;  
FIG. 4 is a left side view thereof;  
FIG. 5 is a right side view thereof;  
FIG. 6 is a top view thereof; and,  
FIG. 7 is a bottom view thereof.

Color, logos, surface ornamentation, and written matter  
shown on the claimed design form no part thereof and are  
hereby disclaimed.

**1 Claim, 7 Drawing Sheets**



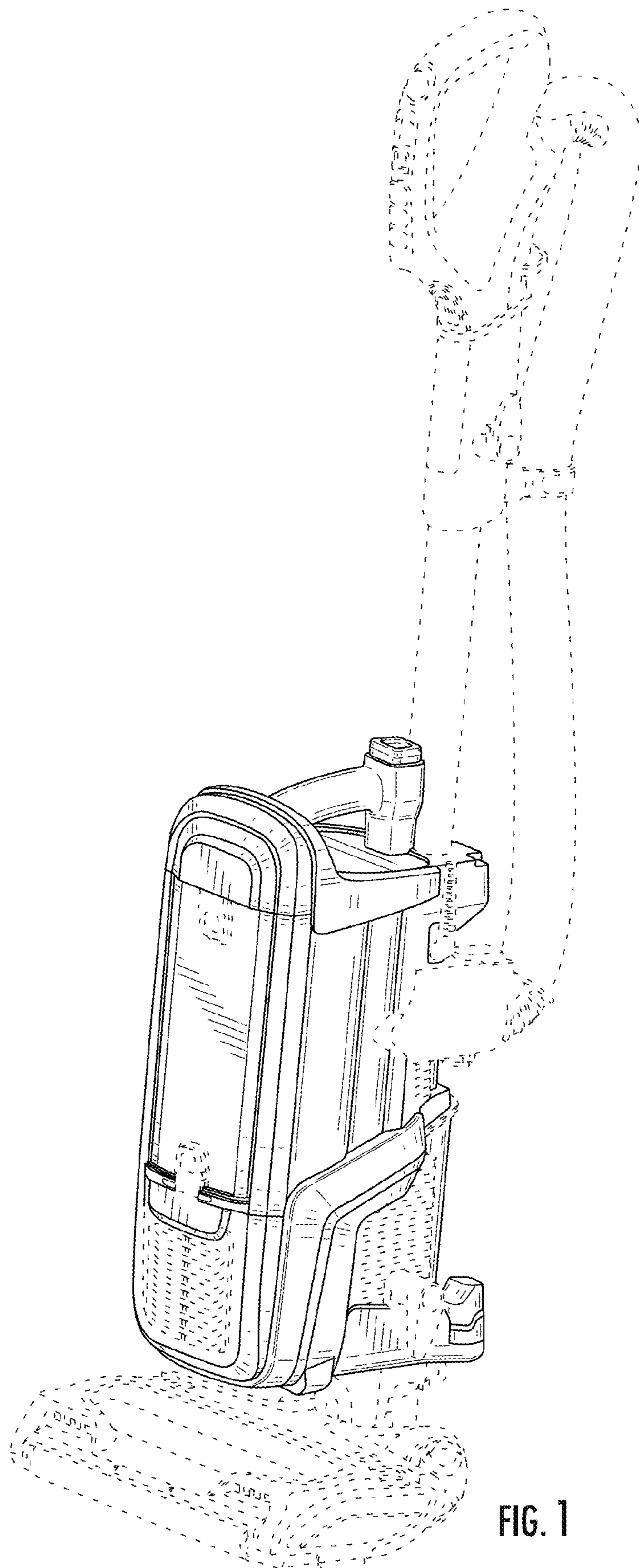
(56)

**References Cited**

U.S. PATENT DOCUMENTS

8,631,541	B2	1/2014	Tran	
8,776,311	B2	7/2014	Genn et al.	
D730,001	S *	5/2015	Yun .....	D32/22
D739,620	S *	9/2015	Johnson .....	D32/22
9,119,511	B2	9/2015	Kah, Jr.	
9,307,881	B2 *	4/2016	Salo .....	A47L 11/34
9,427,122	B2	8/2016	Conrad et al.	
9,451,855	B2	9/2016	Conrad	
D768,944	S *	10/2016	Zhang .....	D32/22
D769,557	S *	10/2016	Johnson .....	D32/22
D770,106	S *	10/2016	Johnson .....	D32/22
D775,440	S *	12/2016	Kwon .....	D32/22
9,591,951	B2 *	3/2017	Rukavina .....	A47L 5/225
D783,912	S *	4/2017	Shin .....	D32/22
D789,626	S *	6/2017	Bloemendaal .....	D32/22
D794,880	S *	8/2017	Zhou .....	D32/22

\* cited by examiner



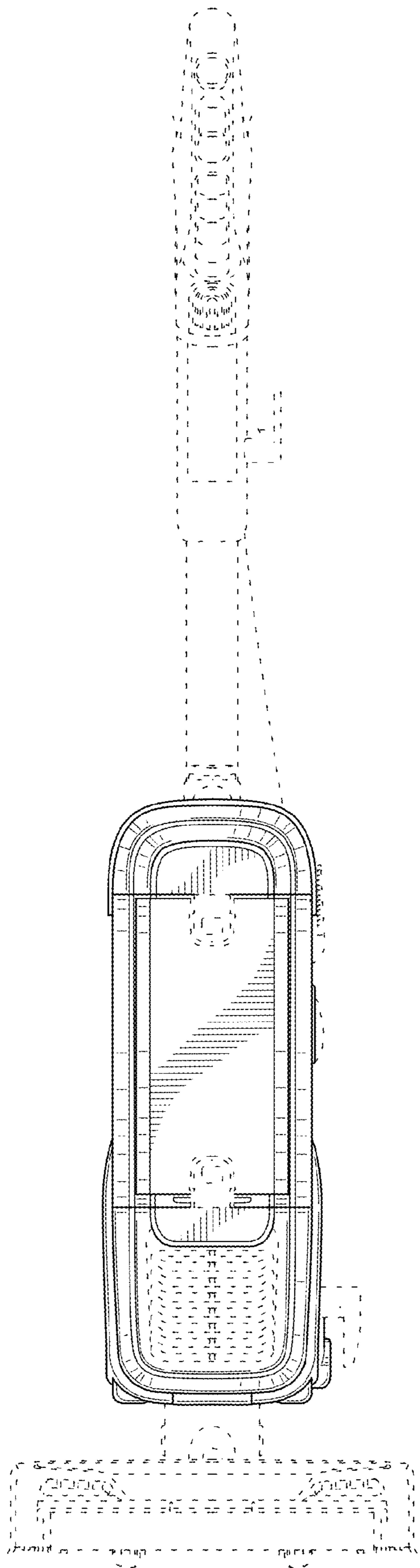


FIG. 2

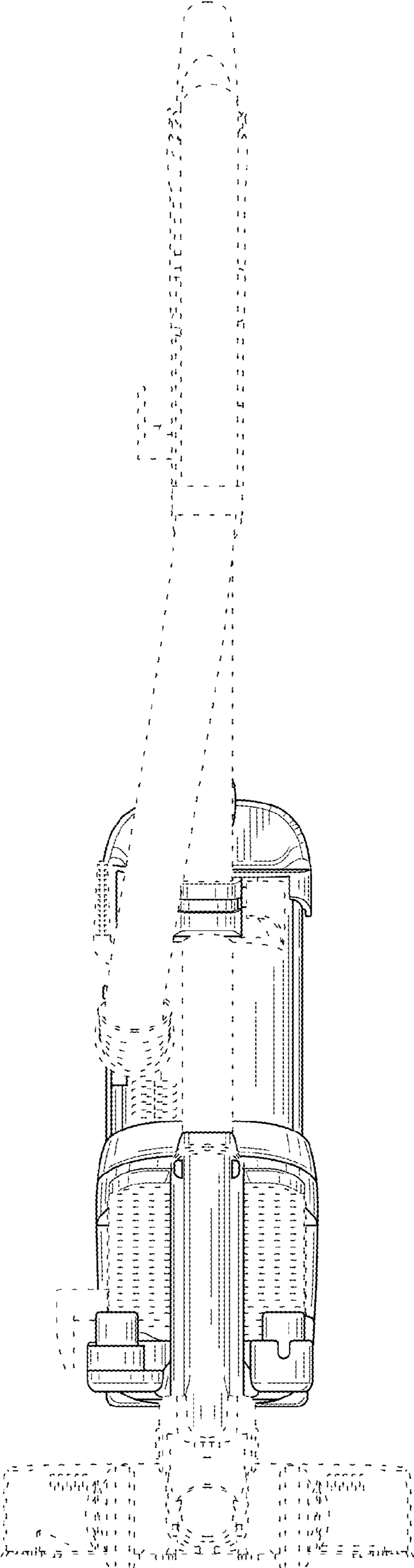


FIG. 3

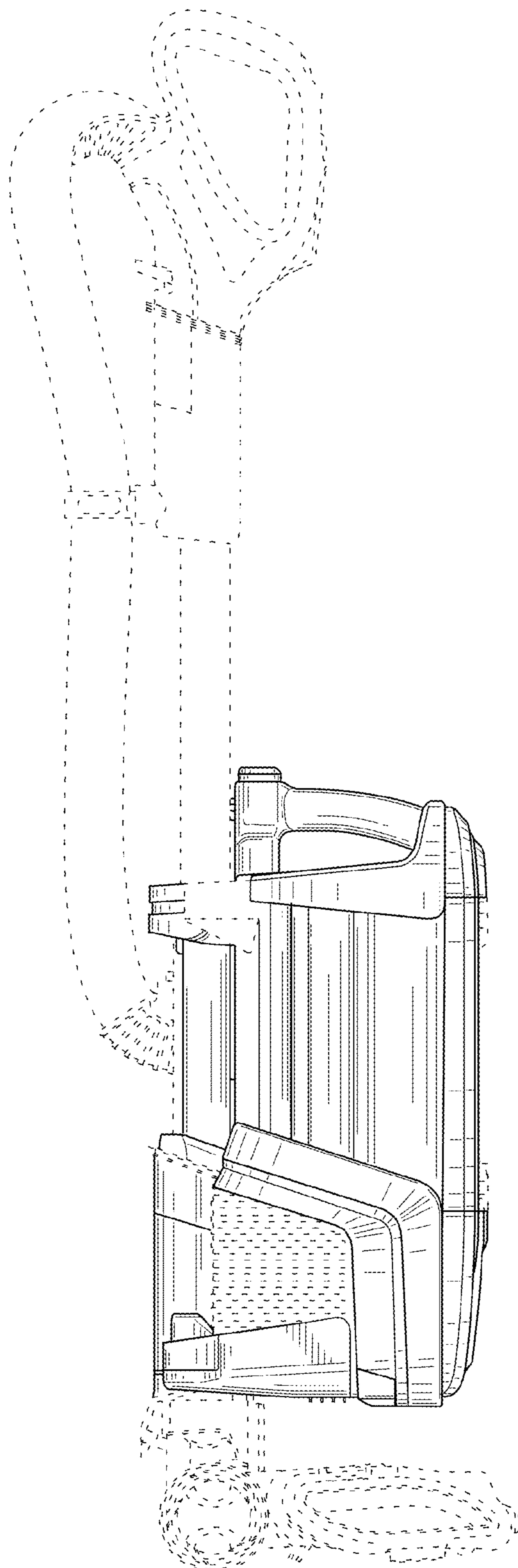


FIG. 4

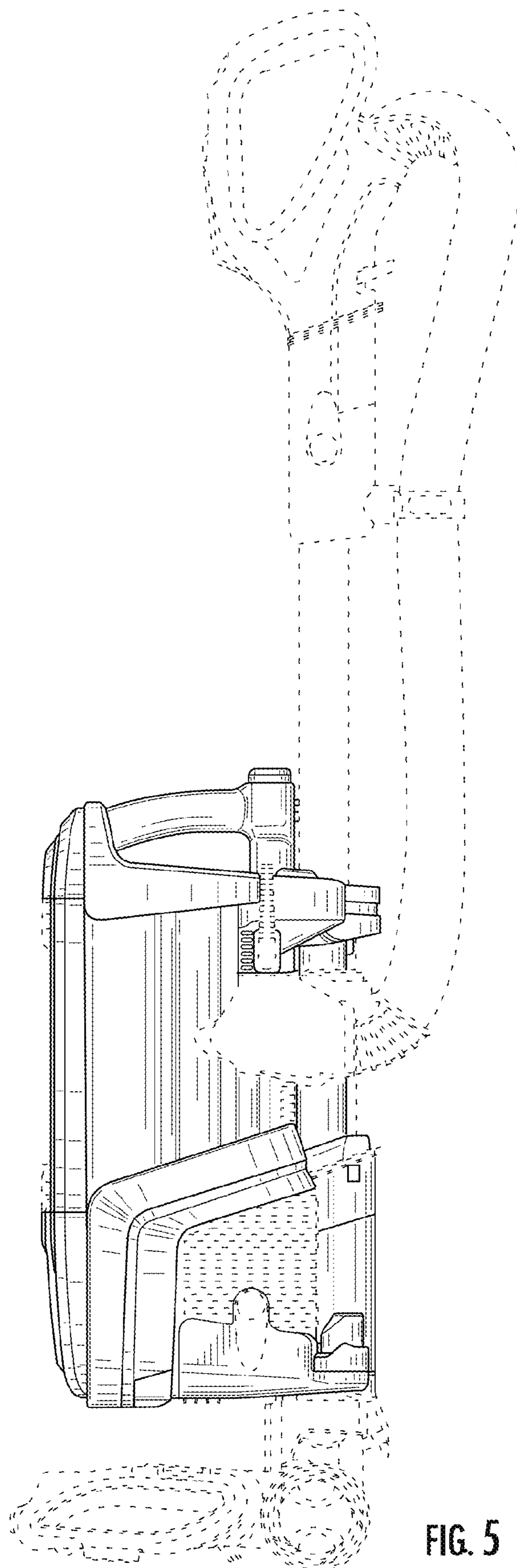


FIG. 5

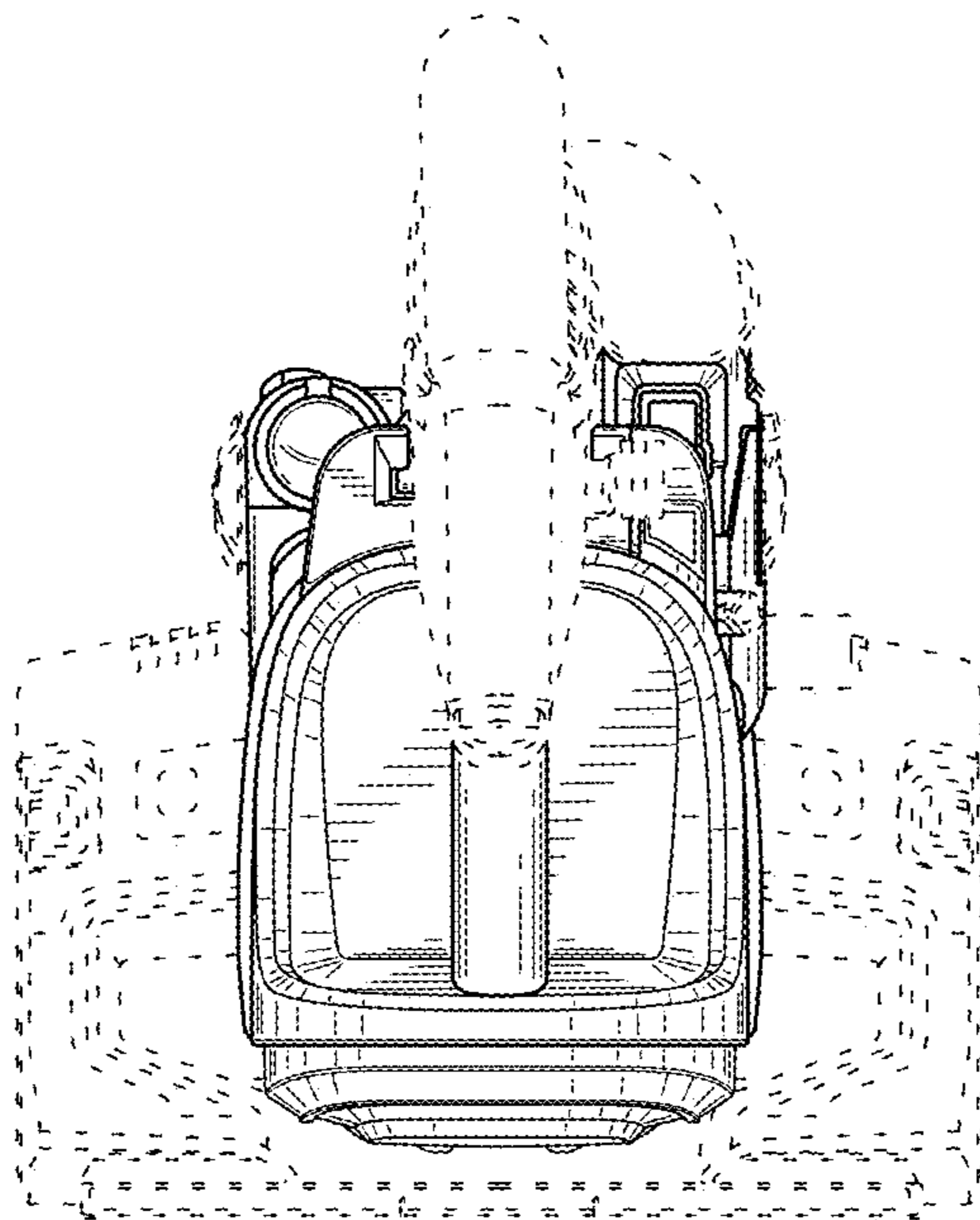


FIG. 6



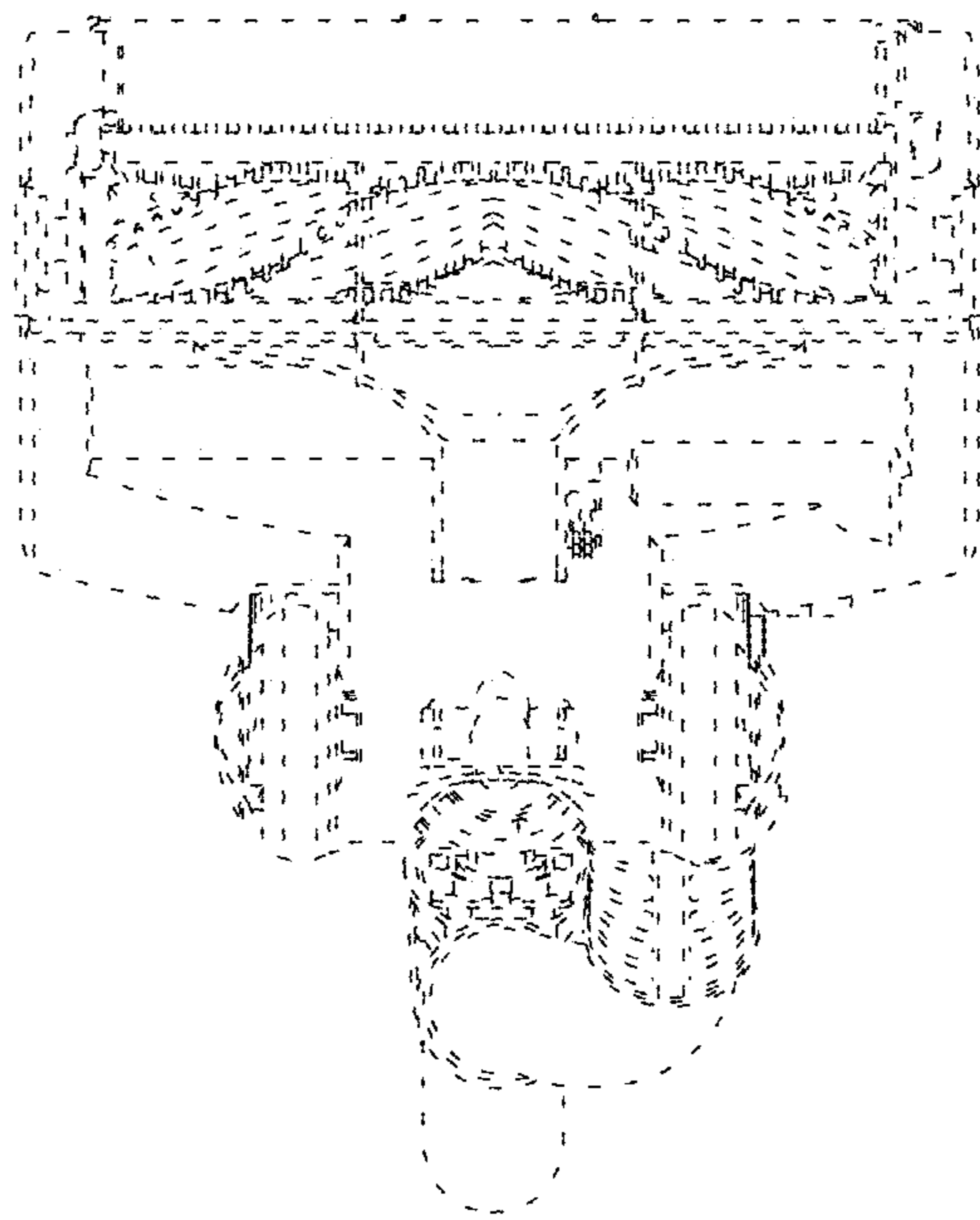


FIG. 7