



US00D882188S

(12) **United States Design Patent**
Dong

(10) **Patent No.:** **US D882,188 S**
(45) **Date of Patent:** **** Apr. 21, 2020**

(54) **ELECTRONIC TRAINING COLLAR**

(71) Applicant: **Fuliang Dong**, Shenzhen (CN)

(72) Inventor: **Fuliang Dong**, Shenzhen (CN)

(**) Term: **15 Years**

(21) Appl. No.: **29/626,453**

(22) Filed: **Nov. 17, 2017**

(51) **LOC (12) Cl.** **30-04**

(52) **U.S. Cl.**

USPC **D30/152**; D30/199

(58) **Field of Classification Search**

USPC D30/144, 151, 152, 155, 199;

D10/104.1; D11/3, 26; D24/167, 200

CPC .. A01K 15/021; A01K 27/009; A01K 15/022;

A01K 27/001

See application file for complete search history.

(56) **References Cited**

U.S. PATENT DOCUMENTS

3,983,483 A * 9/1976 Pando H01Q 1/273
455/90.2

D327,861 S * 7/1992 Davis D11/116

D336,055 S * 6/1993 Juliana D30/152

5,815,077 A * 9/1998 Christiansen A01K 15/021
119/712

D400,458 S * 11/1998 Titus D10/104.1

D410,206 S * 5/1999 Slater D10/104.1

5,934,225 A * 8/1999 Williams A01K 27/009
119/859

(Continued)

OTHER PUBLICATIONS

“Grope Anti Bark Collar.” Found online May 3, 2019 at www.amazon.com. Page dated Jun. 6, 2018. Retrieved from URL: https://www.amazon.com/Grope-Anti-Bark-Collar-Collar/dp/B07BXQTTKN/ref=sr_1_7?keywords=grope+anti+bark+collar&qid=1556983310&s=gateway&sr=8-7-spell (Year: 2018).*

(Continued)

Primary Examiner — Mary Ann Calabrese

Assistant Examiner — Katelin G Kloberg

(74) *Attorney, Agent, or Firm* — W&K IP

(57) **CLAIM**

The ornamental design for an electronic training collar, as shown and described.

DESCRIPTION

FIG. 1 is a bottom, front, right side perspective view of an electronic training collar, showing my new design;

FIG. 2 is a top, front, left side perspective view thereof;

FIG. 3 is a front elevation view thereof;

FIG. 4 is a rear elevation view thereof;

FIG. 5 is a left side view showing my design;

FIG. 6 is a right side view showing my design;

FIG. 7 is a top plan view showing my design;

FIG. 8 is a bottom plan view showing my design;

FIG. 9 is an enlarged partial rear view of the electronic training collar taken from the showing in FIG. 4 thereof;

FIG. 10 is an enlarged partial bottom view of the electronic training collar taken from the showing in FIG. 8 thereof;

FIG. 11 is an enlarged partial front view of the electronic training collar taken from the showing in FIG. 3 thereof;

FIG. 12 is an enlarged partial top view of the electronic training collar taken from the showing in FIG. 7 thereof;

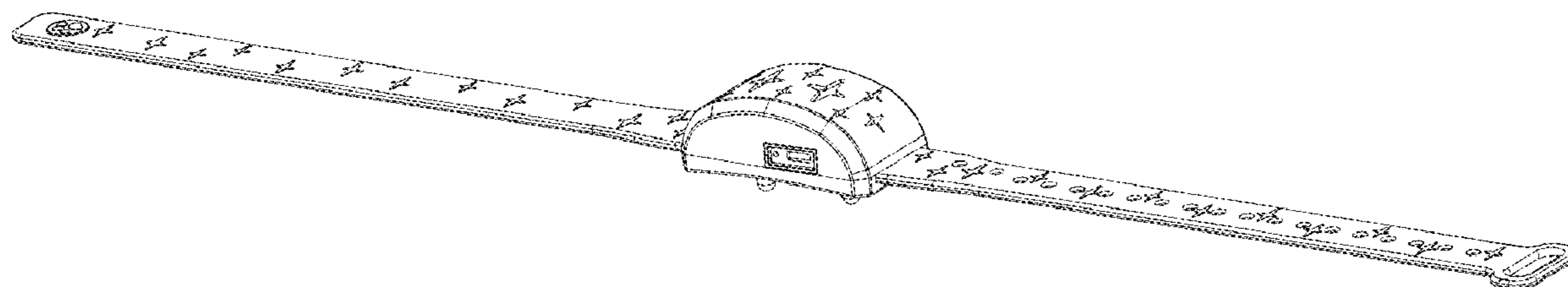
FIG. 13 is an enlarged partial perspective view of the electronic training collar taken from the showing in FIG. 2 thereof;

FIG. 14 is an enlarged partial left view of the electronic training collar taken from the showing in FIG. 5 thereof; and,

FIG. 15 is an enlarged partial perspective view of the electronic training collar taken from the showing in FIG. 6 thereof.

The broken lines shown on the article depict portions of the electronic training collar that form no part of the claimed design.

1 Claim, 15 Drawing Sheets



(56)

References Cited

U.S. PATENT DOCUMENTS

7,021,247 B1 * 4/2006 Seeno A01K 15/02
119/859
D520,894 S * 5/2006 Zakharyan D30/199
D522,187 S * 5/2006 Nottingham D30/152
D597,436 S * 8/2009 Bowdish D11/4
D597,676 S * 8/2009 Copeland D24/187
D652,756 S * 1/2012 Lans D11/3
D665,952 S * 8/2012 Guo D30/152
D715,675 S * 10/2014 Ma D11/3
D725,841 S * 3/2015 So D30/152
D729,681 S * 5/2015 Lee D11/3
9,332,812 B2 * 5/2016 Ma A44C 15/0015
D763,455 S * 8/2016 Hesse D24/200
D794,261 S * 8/2017 Pulliam D30/152
D798,003 S * 9/2017 Dong D30/199
D812,499 S * 3/2018 Kuh D10/70
D818,350 S * 5/2018 Dencek D8/356
D824,033 S * 7/2018 Masuyama D24/167
D826,763 S * 8/2018 Chuang D11/3
D831,645 S * 10/2018 Wu D14/344
D846,747 S * 4/2019 Lillquist D24/186
2007/0227465 A1 * 10/2007 Gerig A01K 15/021
119/859

2010/0231391 A1 * 9/2010 Dror G01D 1/00
340/573.3
2010/0238033 A1 * 9/2010 Blumel A61B 5/1112
340/573.4
2013/0027207 A1 * 1/2013 Goetzl A01K 11/008
340/573.3
2018/0249680 A1 * 9/2018 Van Curen A01K 15/022

OTHER PUBLICATIONS

“CHAUDER Anti Bark Collar for Small Dog Large Dog.” Found online May 3, 2019 at www.amazon.com. Product reviewed Jan. 11, 2019. Retrieved from URL: https://www.amazon.com/CHAUDER-Anti-Collar-Small-Large/dp/B07DB3JRFF/ref=pd_rhf_dp_p_img_6?_encoding=UTF8&psc=1&refRID=BG70A5XMYNFPY0S15DHJ (Year: 2019).*

“A+ Trainer Bark Collar.” Found online May 3, 2019 at www.amazon.com. Product reviewed Oct. 1, 2018. Retrieved from URL: https://www.amazon.com/. . . -Sensitivity-Rechargeable-Waterproof-Vibration/dp/B07GXGM6QP/ref=pd_rhf_dp_p_img_5?_encoding=UTF8&psc=1&refRID=BG70A5XMYNFPY0S15DHJ (Year: 2018).*

* cited by examiner

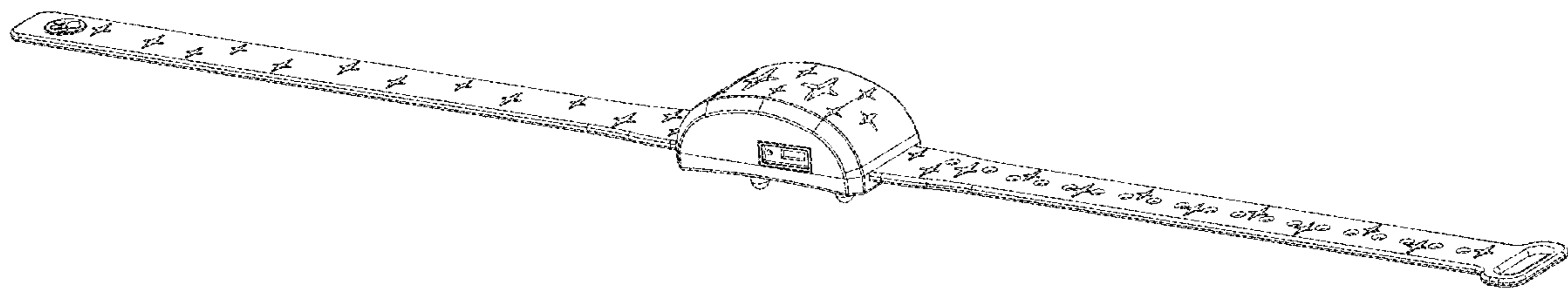


FIG.1

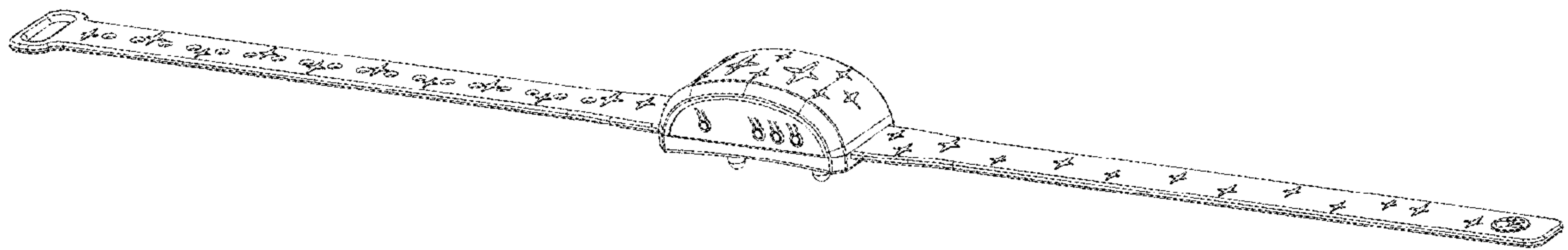


FIG. 2

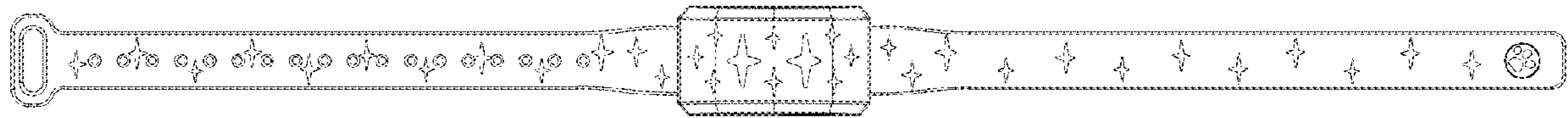


FIG. 3

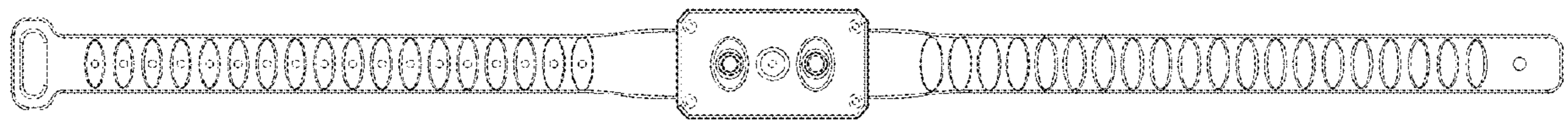


FIG. 4

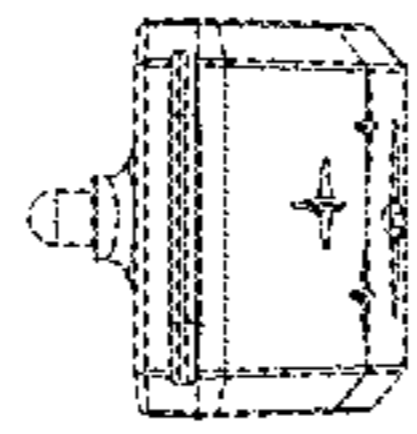


FIG. 5

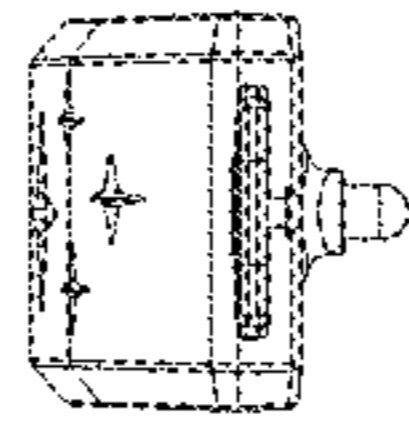


FIG. 6

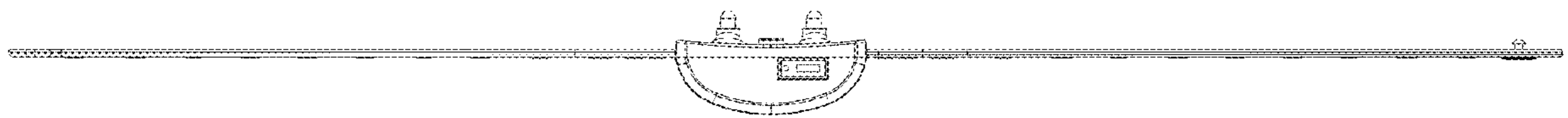


FIG. 7

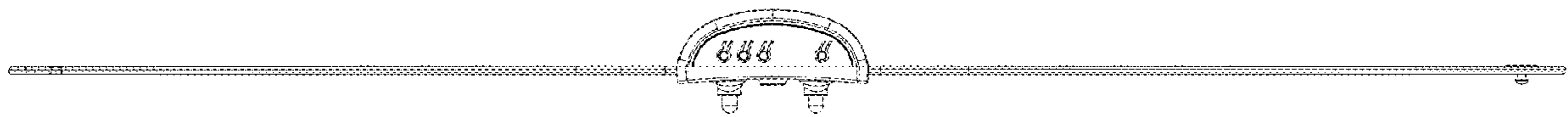


FIG. 8

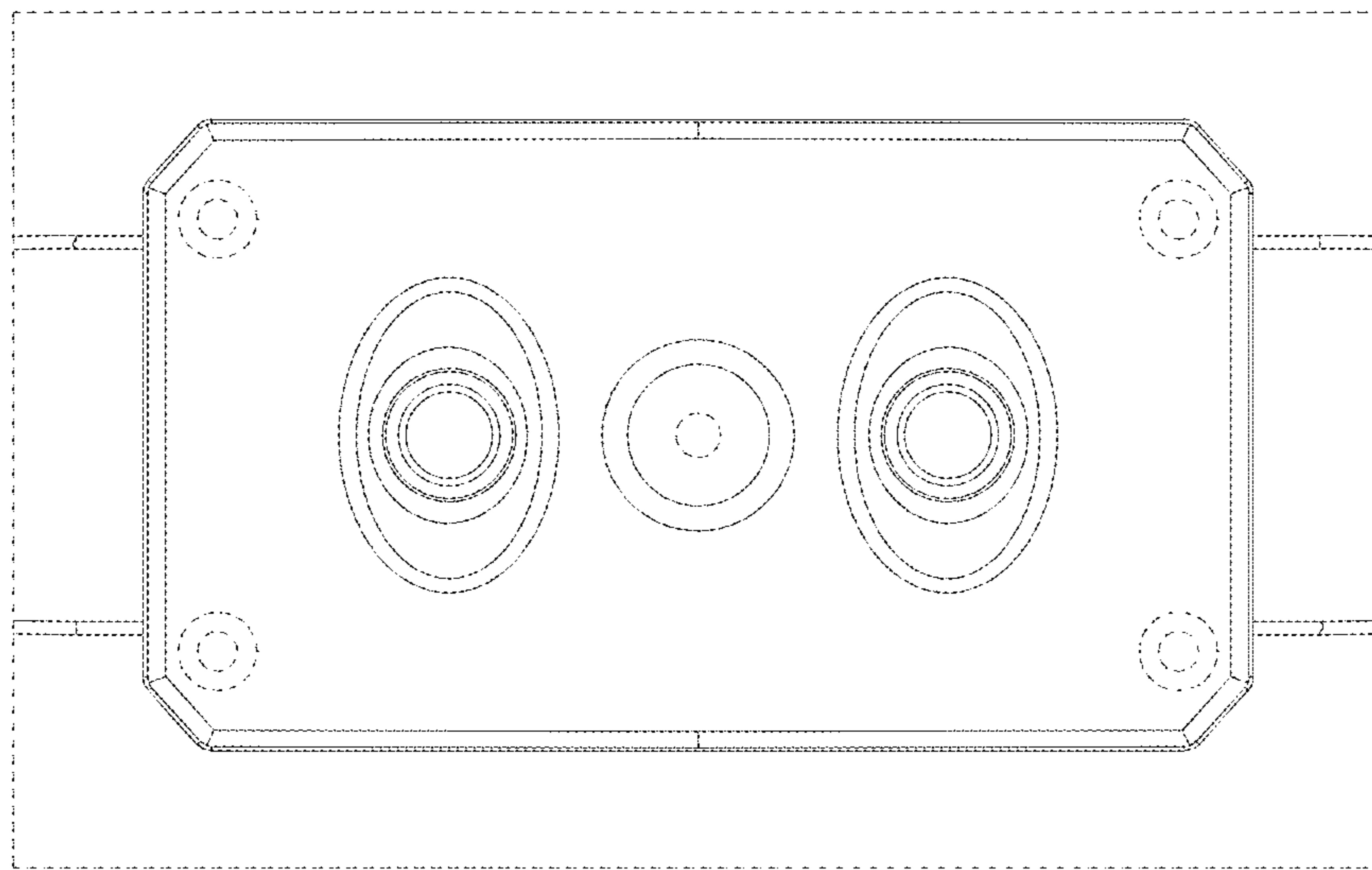


FIG. 9

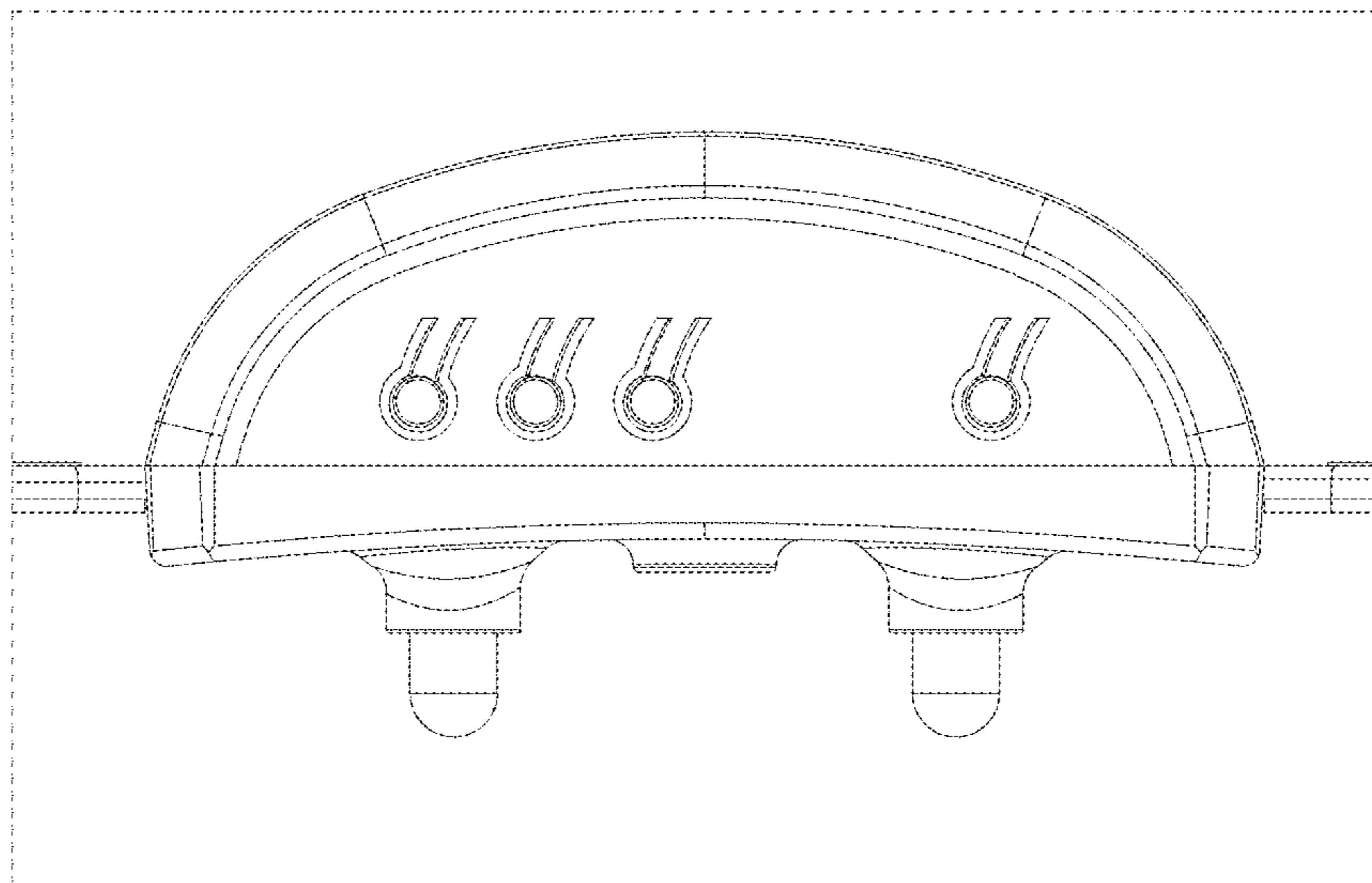


FIG.10

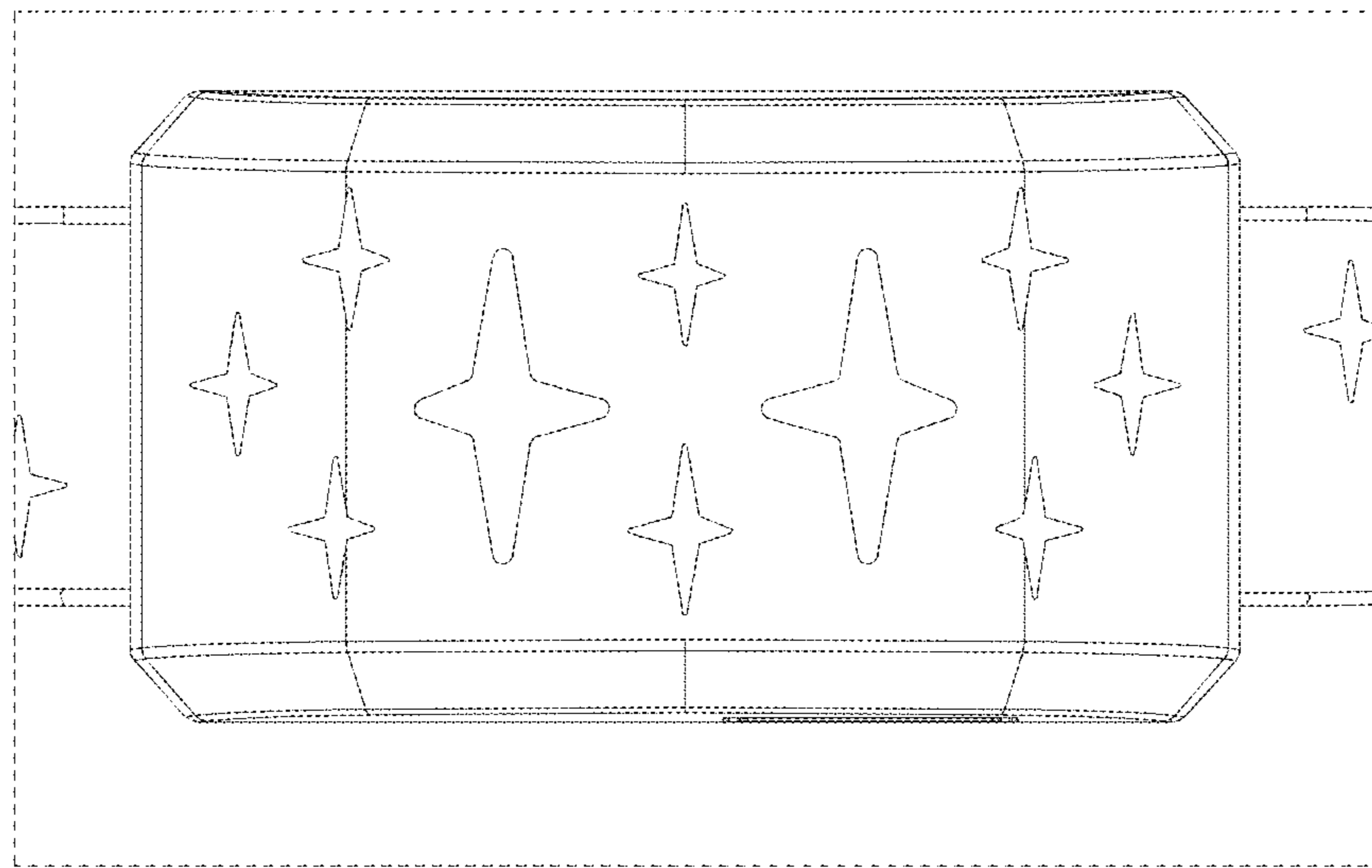


FIG.11

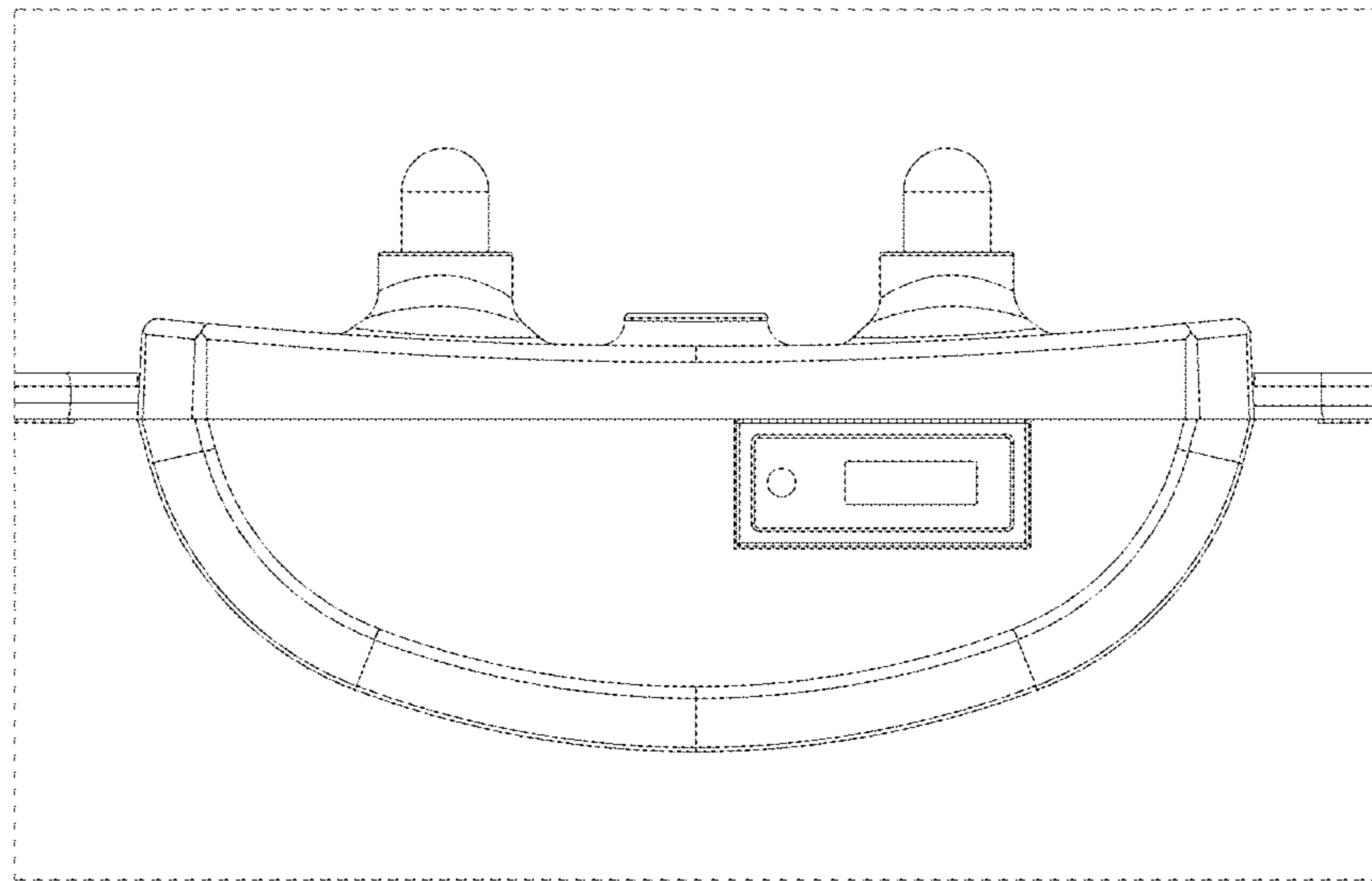


FIG.12

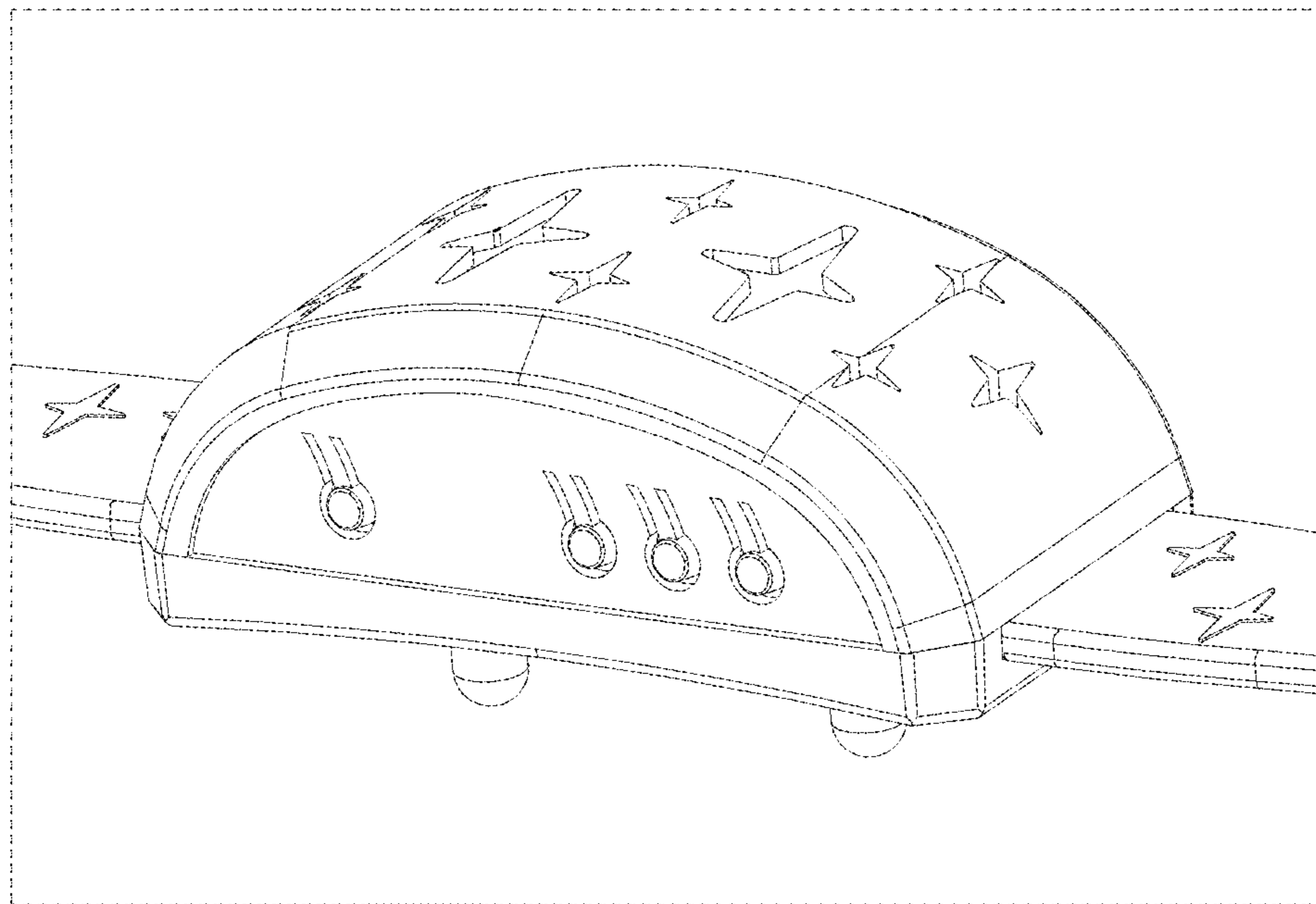


FIG.13

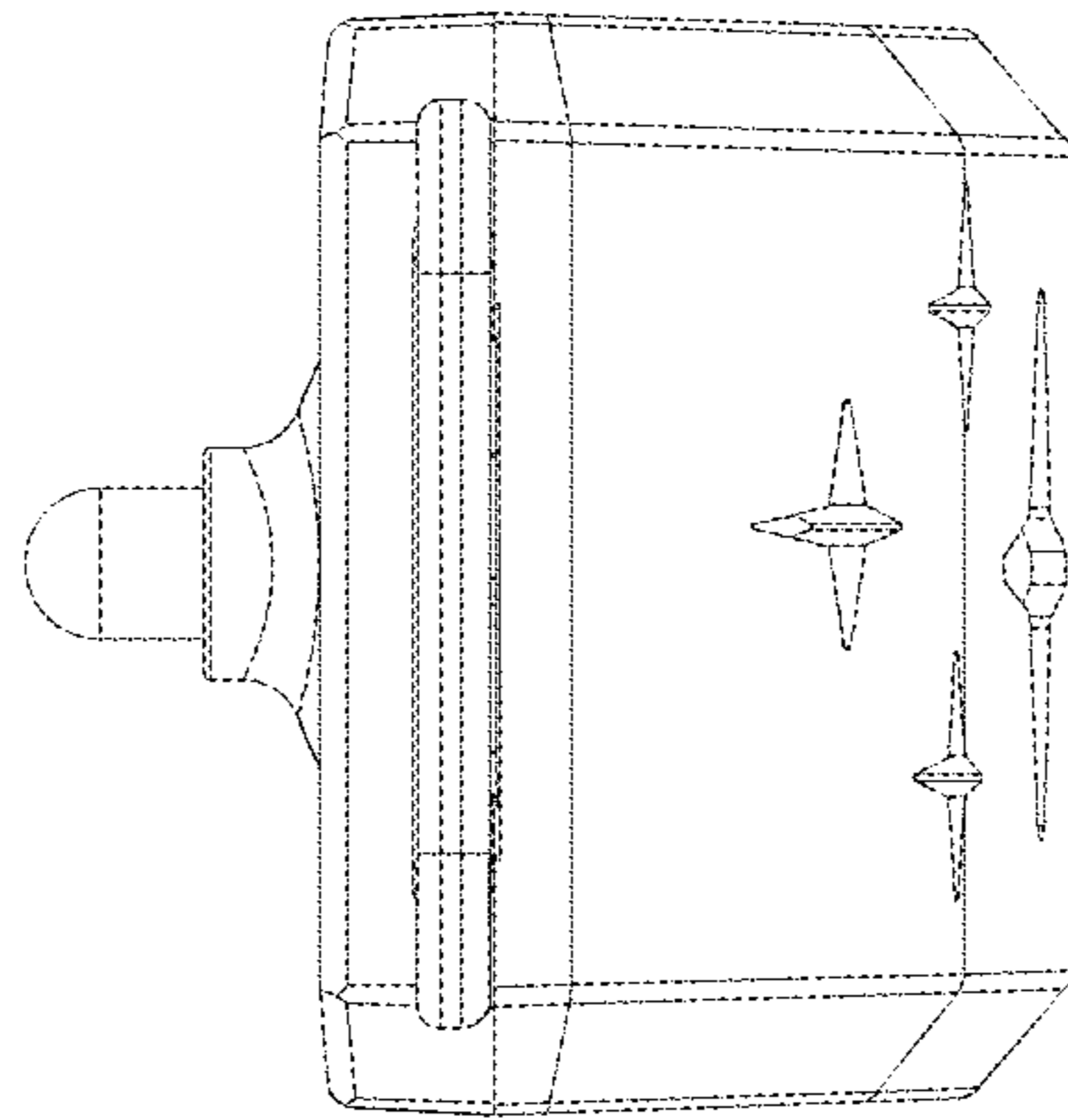


FIG.14

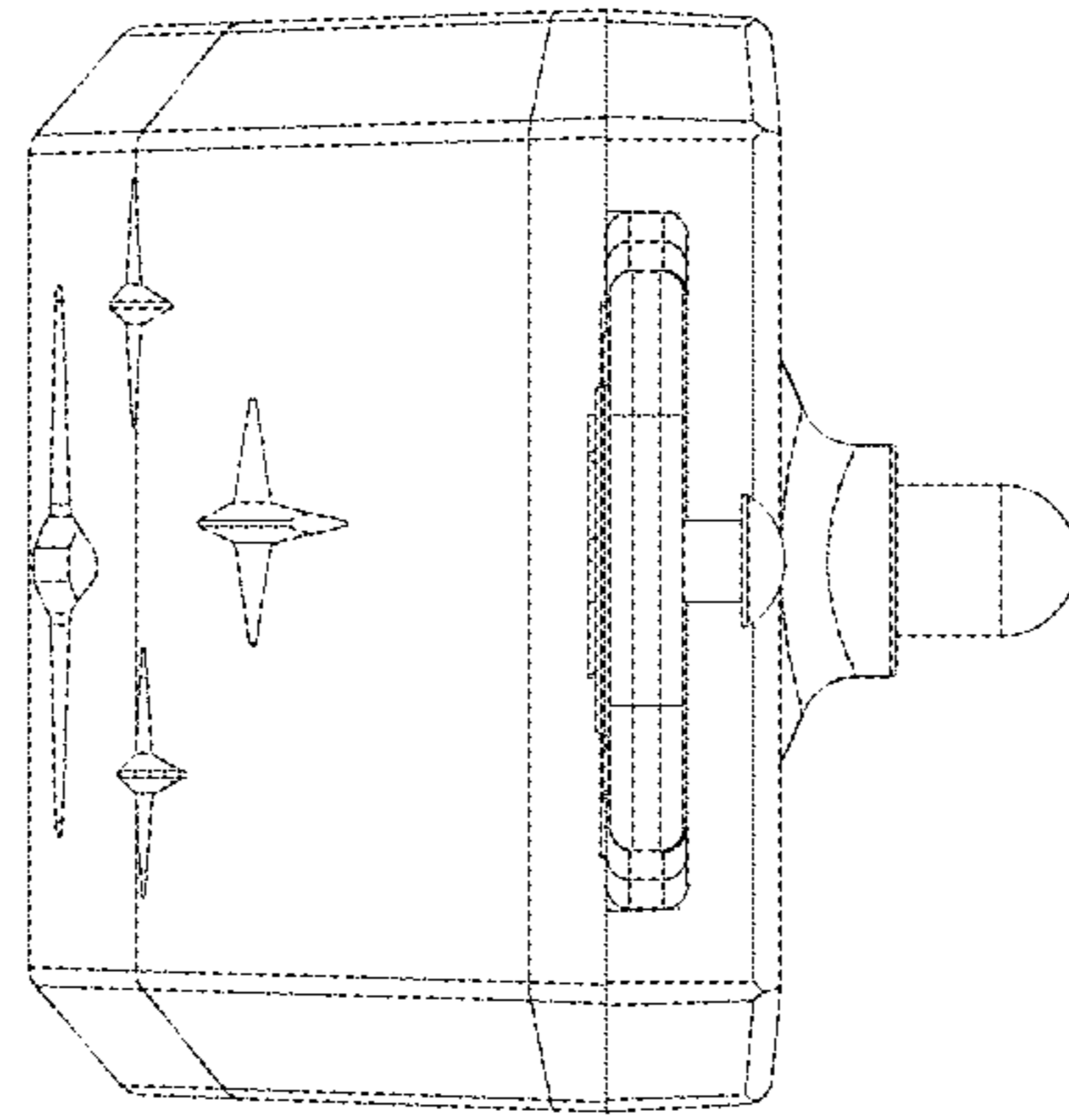


FIG.15