



US00D882186S

(12) **United States Design Patent**
Daniel

(10) **Patent No.:** **US D882,186 S**
(45) **Date of Patent:** **** Apr. 21, 2020**

- (54) **AUTOMATIC ANIMAL FEEDER**
- (71) Applicant: **ZAXE TECHNOLOGIES INC.,**
Sainte-Julie (CA)
- (72) Inventor: **Robert Daniel,** Farnham (CA)
- (73) Assignee: **ZAXE TECHNOLOGIES INC. (CA)**
- (**) Term: **15 Years**
- (21) Appl. No.: **29/673,842**
- (22) Filed: **Dec. 18, 2018**
- (51) **LOC (12) Cl.** **30-03**
- (52) **U.S. Cl.**
USPC **D30/122; D30/121; D30/131**
- (58) **Field of Classification Search**
USPC D30/133, 121, 122, 124, 127, 128, 132,
D30/131, 114, 119, 199; 119/51.01, 61,
119/51.04, 53, 57.91, 54, 53.5, 52.4,
119/51.11, 63, 61.2, 52.1, 57.5, 57.6,
119/51.13, 62, 75, 500, 501, 521, 57.92,
119/59, 51.12, 57.1, 56.1, 57; 239/7,
239/687, 379, 397.5; 222/199, 181.1,
222/181.2, 185.1, 557, 156, 485, 486,
222/548, 555, 424, 526, 502, 503, 196,
222/413, 564; 220/200, 227, 247, 262,
220/564, 196, 201, 233; 221/174, 185.1,
221/289, 295, 296, 559; 454/35;
209/270, 283, 244; 52/194, 192; 49/279,
49/344, 357; D34/28; 47/79, 80, 87;
169/26, 29, 30; D99/5; D3/316;
D23/225, 223, 202, 205; D15/13, 28;
141/300; 55/429; 366/101, 341, 181.2,
366/181.1, 183.1, 181.5, 9, 173.1, 175.2;
406/94, 144, 137; 266/217
CPC A01K 5/001; A01K 5/002; A01K 5/0225;
A01K 5/00; A01K 5/02; A01K 5/01;
A01K 5/0291; A01K 5/0266; A01K
5/0275; A01K 5/0283; A01K 5/004;
A01K 5/005; A01K 5/007; A01K 5/0107;
A01K 5/0208; A01K 5/0216; A01K
5/0233; A01K 5/0241; A01K 5/025;

A01K 5/0258; A01K 1/0209; A01K
39/00; A01K 39/01; A01K 39/0113;
A01K 39/012; A01K 39/0125; A01K
39/014; A01K 39/04; B28C 7/0046;
B65D 90/0093;

(Continued)

(56) **References Cited**

U.S. PATENT DOCUMENTS

298,904 A *	5/1884	Sheppard	B01F 5/246 366/179.1
2,123,318 A *	7/1938	Taylor	G01F 11/24 222/231

(Continued)

FOREIGN PATENT DOCUMENTS

CA	2712784 C	11/2013
CA	2952227 A1	12/2015
CA	2858568 C	9/2017

Primary Examiner — Susan Moon Lee
(74) *Attorney, Agent, or Firm* — Lavery, De Billy, LLP;
Gonzalo Lavin

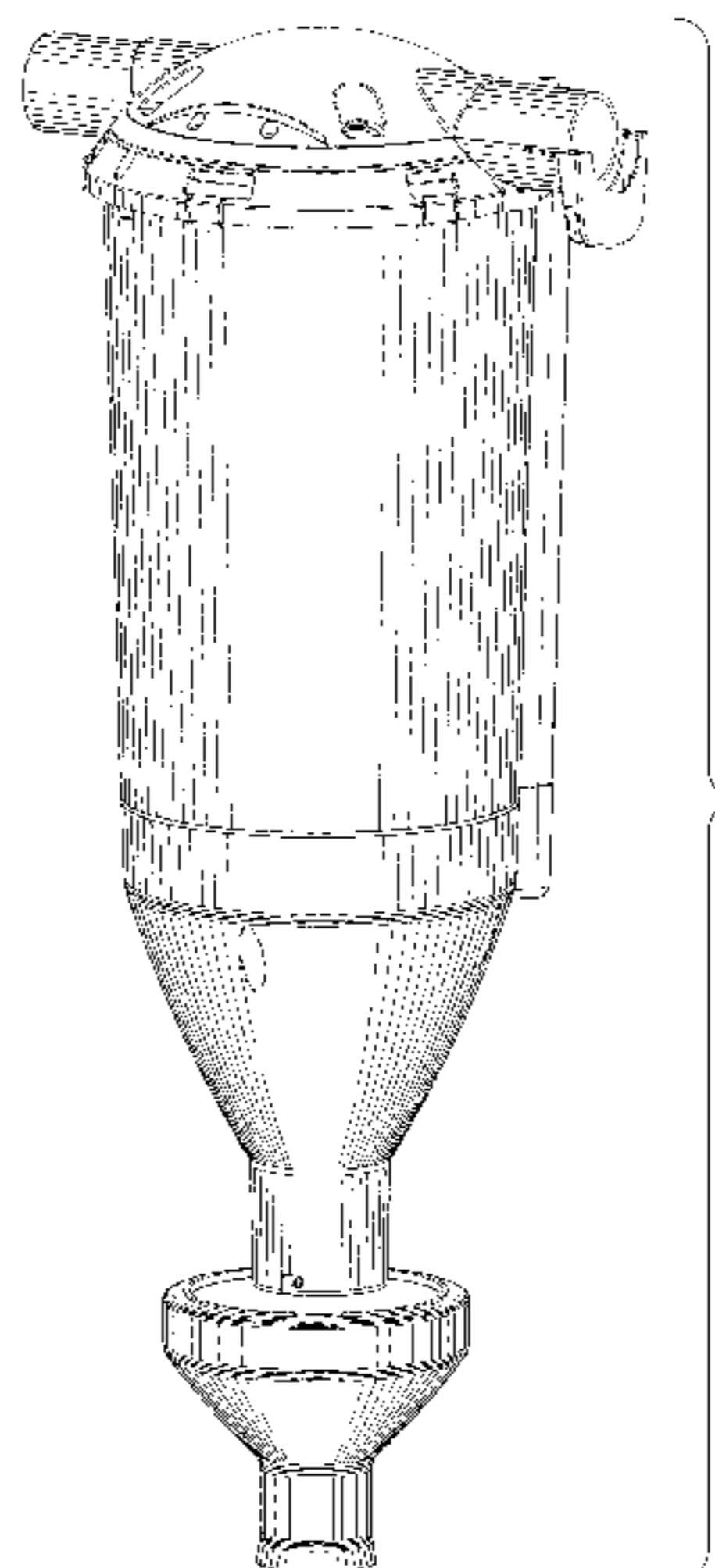
(57) **CLAIM**

The ornamental design for an automatic animal feeder, as shown and described.

DESCRIPTION

FIG. 1 is a front perspective view of an automatic animal feeder showing my new design;
FIG. 2 is a left side view thereof;
FIG. 3 is a right side view thereof;
FIG. 4 is a front view thereof;
FIG. 5 is a rear view thereof;
FIG. 6 is a top plan view thereof; and,
FIG. 7 is a bottom view thereof.
The broken lines depict unclaimed features of the automatic animal feeder, shown for purposes of illustration, that form no part of the claimed design.

1 Claim, 6 Drawing Sheets



(58) **Field of Classification Search**

CPC B65D 90/14; B65D 88/52; B65D 88/30;
 B65D 88/64; B65D 88/66; B65D 88/70;
 B65D 88/72; B65D 88/32; A01C 17/005;
 A01C 17/006; Y10T 74/19721; Y10T
 74/2063; Y10T 137/87997; A01G 9/02;
 A01G 9/021; B29B 7/603; A61G 17/08;
 A61G 17/0076; B01J 2208/00761; B01J
 2208/00778; B01J 2208/00743; B01J
 2208/00752; B01J 2208/00769; B65G
 65/4881; B65G 65/489; B65G 53/36;
 B65G 53/40; F27D 3/10; G01G 13/00;
 G01G 13/06; G01G 13/006; G01G 13/02;
 G01G 13/022; G01G 13/024; G01G
 13/026; G01G 13/028; G01G 13/24;
 G01G 13/248; B01F 15/00954; B01F
 15/00032; B01F 15/0201; B01F 13/0244;
 B01F 13/0283; Y10S 119/902; B08B
 9/093; B08B 9/0813

See application file for complete search history.

(56) **References Cited**

U.S. PATENT DOCUMENTS

2,222,380 A * 11/1940 Statler B02C 21/00
 241/61
 2,455,572 A * 12/1948 Evans B01F 5/244
 366/336
 3,145,975 A * 8/1964 Towns, Jr. B01F 13/0238
 366/137
 3,194,539 A * 7/1965 Hanne-Wiame C21C 5/5294
 406/94
 3,198,492 A * 8/1965 Schneider B01F 13/0238
 366/107
 3,216,629 A * 11/1965 Goins B01F 5/242
 222/459
 3,218,175 A * 11/1965 Siegel G07F 13/065
 426/416
 3,223,457 A * 12/1965 Albert B65D 88/72
 406/138
 3,258,252 A * 6/1966 Lanier B01F 13/0244
 366/107
 3,272,399 A * 9/1966 Dight A47J 31/40
 222/232
 3,275,303 A * 9/1966 Goins B01F 5/242
 366/137
 3,351,326 A * 11/1967 Alberts B01F 5/242
 366/134
 3,361,413 A * 1/1968 Heyl B01F 5/243
 366/137
 3,448,965 A * 6/1969 Young B01F 5/10
 366/134
 3,583,681 A * 6/1971 Brown B01F 5/245
 366/107
 3,587,936 A * 6/1971 Riotto B61D 5/002
 222/196
 3,688,743 A * 9/1972 Rack A01K 61/80
 119/51.04
 3,752,446 A * 8/1973 Watanabe B01F 5/205
 366/102
 3,782,695 A * 1/1974 Sandiford B01F 3/1271
 366/163.1
 3,804,303 A * 4/1974 Fassauer B01J 8/002
 406/71
 3,871,626 A * 3/1975 Wohlfarth B01F 13/0244
 366/107
 3,871,629 A * 3/1975 Hishida B29C 45/1816
 366/76.2
 3,891,196 A * 6/1975 Forster C21C 7/0037
 239/307
 3,893,655 A * 7/1975 Sandiford B01F 3/1271
 366/131

3,920,624 A * 11/1975 Humkey B01D 3/38
 528/501
 3,989,308 A * 11/1976 Zimmermann B65G 53/24
 406/23
 4,014,462 A * 3/1977 Robertson B01F 7/00208
 222/136
 4,016,970 A * 4/1977 Wert B65G 65/46
 198/524
 4,068,828 A * 1/1978 Goins B01F 5/242
 366/136
 4,087,134 A * 5/1978 Jordan B65G 53/26
 406/146
 4,108,334 A * 8/1978 Moller B29C 48/286
 222/136
 4,128,343 A * 12/1978 Moked B01F 13/0244
 366/101
 4,141,321 A * 2/1979 Wolf A01K 5/0283
 119/56.1
 4,185,587 A * 1/1980 Kallin A01K 5/0275
 119/51.11
 4,194,845 A * 3/1980 Krambrock B01F 13/0244
 366/101
 4,200,060 A * 4/1980 Van Daele A01K 5/0275
 119/53
 4,285,602 A * 8/1981 Hagerty B01F 5/242
 366/101
 4,286,883 A * 9/1981 Johanson B01F 5/246
 366/137
 4,337,728 A * 7/1982 Van Gilst A01K 7/02
 119/51.01
 4,358,207 A * 11/1982 Roth B01F 5/246
 366/336
 4,360,044 A * 11/1982 Wisneski B01F 5/244
 141/100
 4,412,748 A * 11/1983 Wohnhas B01F 5/24
 366/341
 4,415,297 A * 11/1983 Boring B65G 53/24
 406/168
 4,459,028 A * 7/1984 Bruder B01F 5/241
 141/83
 4,473,300 A * 9/1984 Goins B01F 5/242
 366/136
 4,478,517 A * 10/1984 Hoppe B01F 5/243
 222/459
 4,486,101 A * 12/1984 Brar B01F 13/0244
 137/625.41
 4,548,342 A * 10/1985 Fisher B65D 88/28
 222/145.6
 4,569,596 A * 2/1986 Romanchik B01F 13/0244
 366/107
 4,573,800 A * 3/1986 Lasso B01F 3/18
 366/101
 4,582,023 A * 4/1986 Zumbahlen A01K 5/0241
 119/53.5
 4,601,414 A * 7/1986 Lawson B65D 88/64
 222/564
 4,629,328 A * 12/1986 Revelt B01F 5/245
 366/134
 4,629,410 A * 12/1986 Hehl B29C 45/1858
 222/144.5
 4,719,875 A * 1/1988 Van Gilst A01K 5/0241
 119/53.5
 4,756,624 A * 7/1988 Hoppe B01F 13/0244
 366/101
 4,758,654 A * 7/1988 Brod C08F 6/02
 528/483
 D298,946 S * 12/1988 Schave D15/13
 4,788,940 A * 12/1988 Forster A01K 9/00
 119/71
 4,792,235 A * 12/1988 Paul B01F 13/0244
 222/195
 4,799,455 A * 1/1989 O'Kelley A01K 5/0233
 119/51.01
 4,815,417 A * 3/1989 Strong A01K 39/0125
 119/51.12

(56)

References Cited

U.S. PATENT DOCUMENTS

4,822,173	A *	4/1989	Paul	B01F 13/0244 251/117	6,102,562	A *	8/2000	Bengtson	B01F 5/246 193/2 R
4,834,544	A *	5/1989	Paul	B01F 15/00954 209/142	6,129,049	A *	10/2000	Rasmussen	A01K 5/0233 119/52.1
4,860,930	A *	8/1989	Tu	A47J 31/404 222/231	6,142,193	A *	11/2000	Sanders	B65B 39/04 141/300
4,883,390	A *	11/1989	Reintjes	B65G 53/12 406/24	6,199,511	B1 *	3/2001	Thibault	A01K 5/0241 119/53
4,889,078	A *	12/1989	Smiley	A01K 5/0216 119/53.5	6,494,612	B2 *	12/2002	Johanson	B01F 5/24 366/228
4,923,304	A *	5/1990	Jackson	B01F 5/24 222/459	6,591,780	B2 *	7/2003	Fujii	A01K 5/0208 119/57.2
4,941,779	A *	7/1990	Dewitz	B01J 3/02 222/195	6,845,890	B2 *	1/2005	Johanson	B65D 88/28 222/459
4,945,859	A *	8/1990	Churchwell	A01K 5/0275 119/54	6,868,801	B2 *	3/2005	Rovira Badia	A01K 5/0225 119/51.5
4,958,741	A *	9/1990	Johanson	B65D 88/28 220/DIG. 13	6,910,443	B2 *	6/2005	Rasmussen	A01K 5/0225 119/52.1
4,978,228	A *	12/1990	Wilms	B01F 5/243 366/138	D512,538	S *	12/2005	Bird	119/52.1
5,018,869	A *	5/1991	Paul	B01F 13/0244 366/101	7,077,906	B2 *	7/2006	Colombo	B01F 5/0602 118/303
5,123,749	A *	6/1992	Avery, Jr.	B01F 5/242 366/341	7,096,822	B2 *	8/2006	Hofer	A01K 5/0241 119/53
5,129,766	A *	7/1992	Dirkse	B01J 8/0015 222/195	7,114,638	B2 *	10/2006	Vaynshteyn	G03G 15/0865 222/181.1
5,138,979	A *	8/1992	Baird	A01K 61/80 119/51.04	7,237,582	B1 *	7/2007	Harvey	B65B 39/02 141/330
5,243,930	A *	9/1993	Rahm	A01K 5/0233 119/54	7,798,098	B1 *	9/2010	Patterson	A01K 5/0225 119/51.11
5,245,949	A *	9/1993	Hively	A01K 5/0225 119/53	7,874,326	B1 *	1/2011	Harvey	B65B 39/001 141/330
5,248,197	A *	9/1993	Storf	B01F 5/24 222/564	8,011,396	B1 *	9/2011	Harvey	B65B 39/001 141/330
5,277,492	A *	1/1994	Paul	B01F 13/0244 222/195	8,132,538	B1 *	3/2012	Schick	A01K 1/0209 119/502
5,292,037	A *	3/1994	Held	G01F 11/46 222/339	D671,563	S *	11/2012	Moretto	D15/28
5,405,219	A *	4/1995	Wang	B01J 8/0015 406/137	D671,564	S *	11/2012	Moretto	D15/28
5,447,119	A *	9/1995	Rasmussen	A01K 5/0241 119/51.5	8,393,361	B2 *	3/2013	Luchinger	G01G 13/02 141/332
5,462,351	A *	10/1995	Royal	B65D 88/72 222/195	8,470,082	B2 *	6/2013	Blickley	B01J 8/12 95/271
5,499,749	A *	3/1996	Conant	G01F 11/24 222/181.1	8,596,218	B2 *	12/2013	Brumbaugh	A01K 5/0233 119/54
5,570,547	A *	11/1996	Webb	B65D 88/08 220/247	8,698,013	B1 *	4/2014	Hall	G01G 13/003 119/51.01
5,575,596	A *	11/1996	Bauer	B65G 53/24 406/168	9,028,132	B2 *	5/2015	Ungerechts	B01F 5/244 366/181.2
5,595,139	A *	1/1997	Hofer	A01K 5/025 119/54	D732,689	S *	6/2015	Carter	D25/14
5,651,479	A *	7/1997	Bates	B65D 88/28 222/196	9,169,062	B2 *	10/2015	Reece	B65D 88/70
5,697,327	A *	12/1997	Pollock	A01K 5/0258 119/57.4	D742,428	S *	11/2015	Barry	D15/28
5,772,319	A *	6/1998	Pemberton	B29C 31/02 366/76.2	9,173,375	B1 *	11/2015	Schleichardt	A01K 5/0225
5,782,201	A *	7/1998	Wells	A01K 5/02 119/56.1	9,247,712	B2 *	2/2016	Rausch	A01K 5/0233
5,794,561	A *	8/1998	Schulz	A01K 5/0225 119/52.1	9,295,226	B2	3/2016	Brooks	
5,829,385	A *	11/1998	Kaspersen	A01K 5/0233 119/54	9,532,549	B2 *	1/2017	Rose	A01K 5/0258
5,839,389	A *	11/1998	Fujii	A01K 5/0233 119/53	9,700,015	B2 *	7/2017	Ryder	A01K 5/0258
5,850,805	A *	12/1998	Kleinsasser	A01K 5/0241 119/54	9,854,784	B2 *	1/2018	Frieden	A01K 5/02
6,051,070	A *	4/2000	Sunter	A21C 9/04 118/13	9,854,785	B2	1/2018	Fallis et al.	
6,082,300	A *	7/2000	Futch	A01K 5/0225 119/51.11	10,123,508	B2 *	11/2018	Lee	A01K 1/0209
					10,138,075	B2 *	11/2018	Maguire	B65G 53/24
					10,182,553	B2 *	1/2019	Eakin	A01K 5/0225
					10,306,871	B2 *	6/2019	Brunnberg	A01K 5/0233
					10,334,818	B2 *	7/2019	Eakin	A01K 5/0225
					2003/0235111	A1 *	12/2003	Bishop	B01F 5/243 366/341
					2004/0083980	A1 *	5/2004	Harding	A01K 5/0216 119/60
					2009/0105969	A1 *	4/2009	Saylor	G01D 9/005 702/47
					2009/0120369	A1 *	5/2009	Lewis	A01K 5/0225 119/51.01
					2009/0320764	A1 *	12/2009	Chang	A01K 5/0225 119/53.5
					2011/0001265	A1 *	1/2011	Walia	B01F 5/246 264/299
					2011/0139077	A1 *	6/2011	Gray	A01K 5/0225 119/51.11

(56)

References Cited

U.S. PATENT DOCUMENTS

2011/0297093 A1* 12/2011 Lai A01K 5/0114
119/54
2012/0227257 A1* 9/2012 Kalavitz F16B 21/04
29/825
2013/0004247 A1* 1/2013 Reece B65D 88/70
406/136
2013/0180456 A1* 7/2013 Whitsett A01K 5/02
119/57.92
2013/0276709 A1* 10/2013 Ryder A01K 5/0258
119/51.01
2013/0298837 A1* 11/2013 Weelink A01K 5/0275
119/51.02
2014/0166438 A1* 6/2014 Mikulec G01G 11/086
198/524
2015/0040834 A1* 2/2015 Loos A01K 1/0209
119/518
2015/0237825 A1* 8/2015 Fallis A01K 5/0225
119/51.11
2015/0355003 A1* 12/2015 Saeger G01F 25/0007
73/861.18
2016/0302383 A1* 10/2016 Frieden A01K 5/02
2016/0324127 A1* 11/2016 Brunnberg A01K 5/0233
2016/0346745 A1* 12/2016 Mothersbaugh B01F 5/10
2017/0042118 A1* 2/2017 Lee A01K 1/0209
2018/0099253 A1* 4/2018 Maguire B65G 53/24
2018/0279579 A1* 10/2018 Alcoser A01K 5/0291
2018/0281002 A1* 10/2018 Cotler B65D 88/66
2019/0008116 A1* 1/2019 Eakin A01K 5/0225
2019/0084780 A1* 3/2019 Maguire B65G 53/24
2019/0090452 A1* 3/2019 Grijalva A01K 5/0142
2019/0105623 A1* 4/2019 Harrington A23K 20/142
2019/0116756 A1* 4/2019 Bellow A01K 5/0225
2019/0297841 A1* 10/2019 Smith A01K 5/0225
2019/0343072 A1* 11/2019 Encarnacion H04N 7/142

* cited by examiner

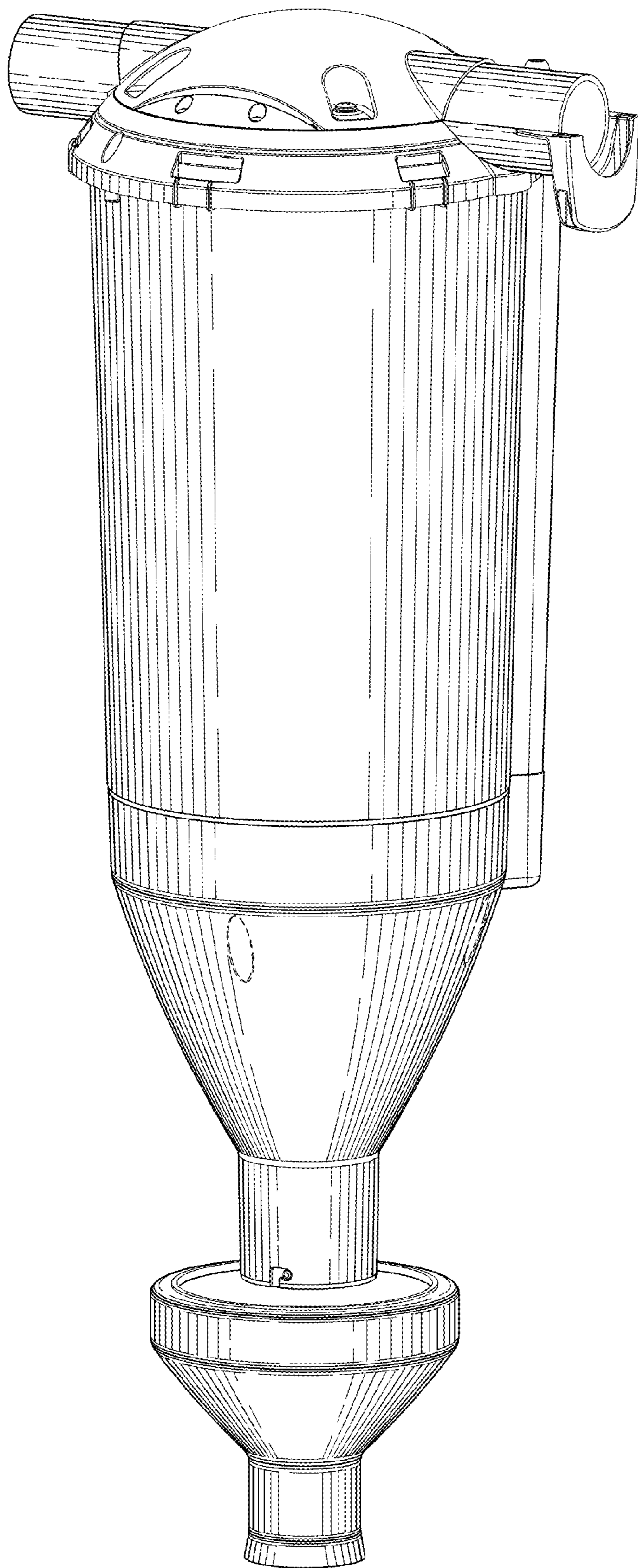


FIG. 1

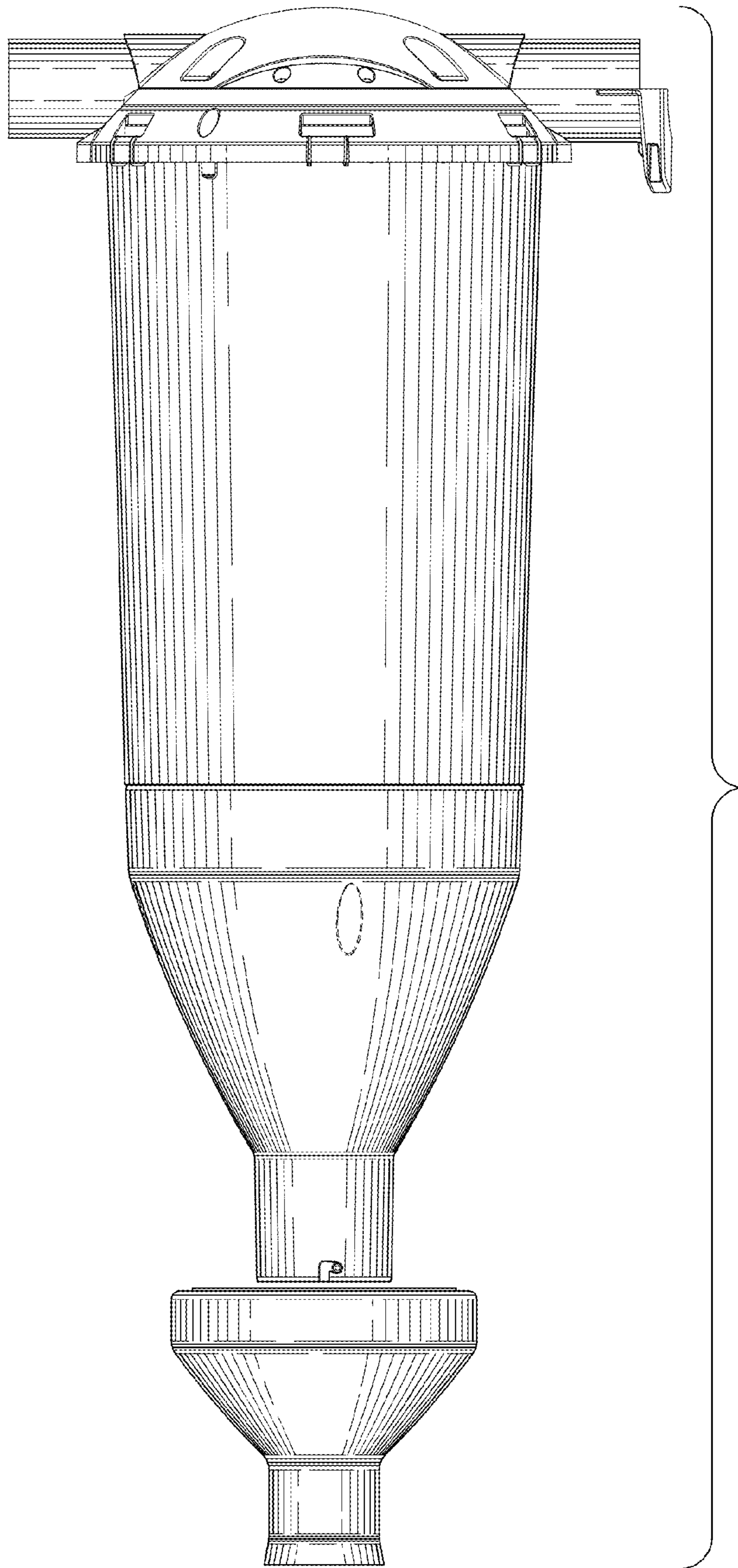


FIG. 2

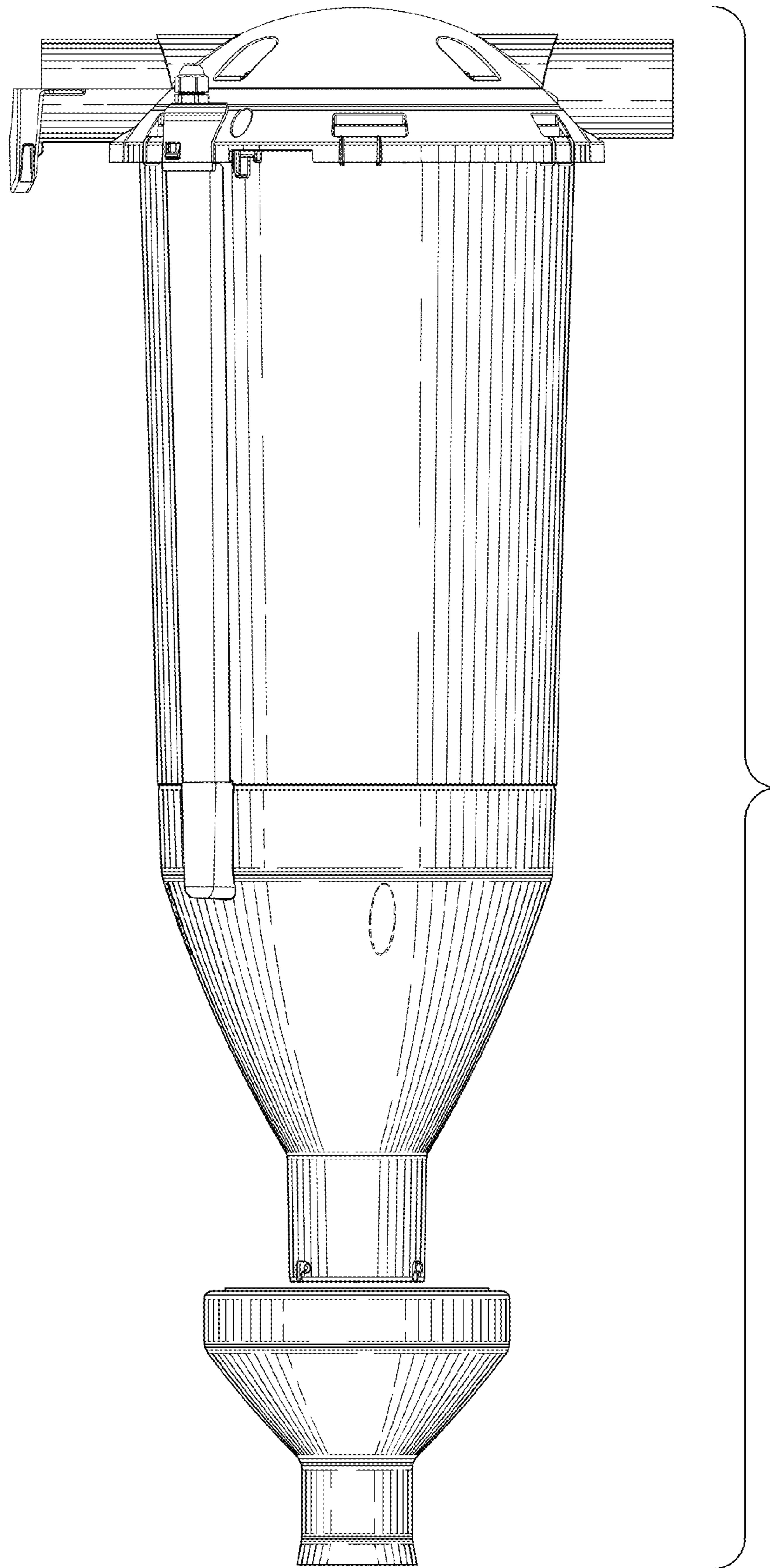


FIG. 3

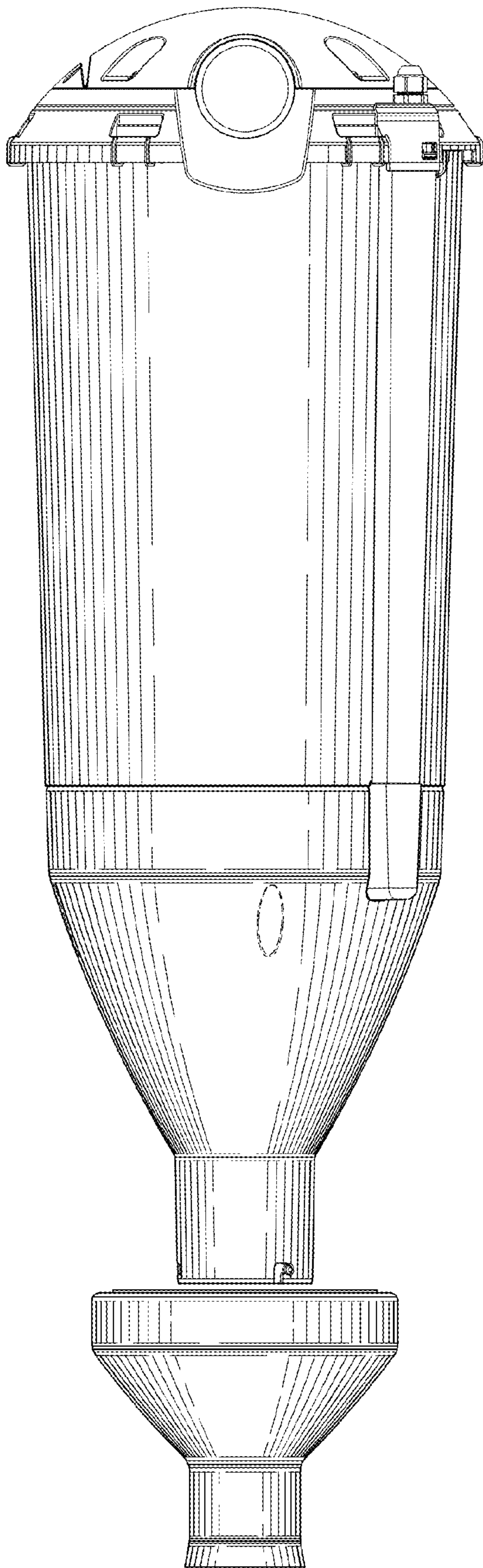


FIG. 4

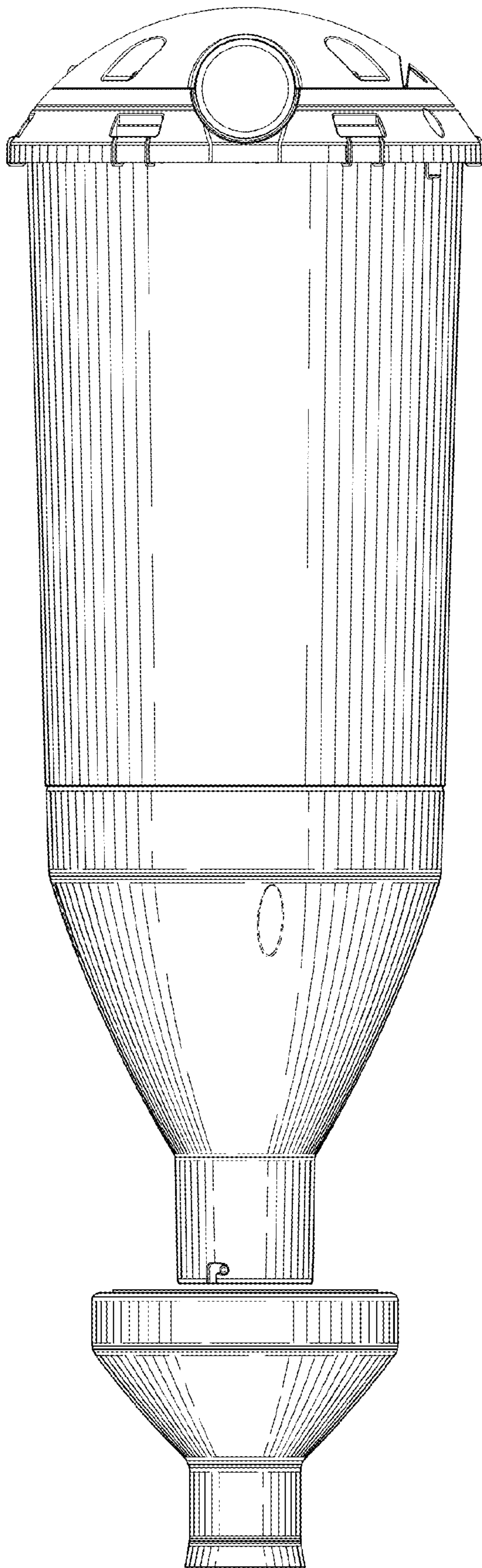


FIG. 5

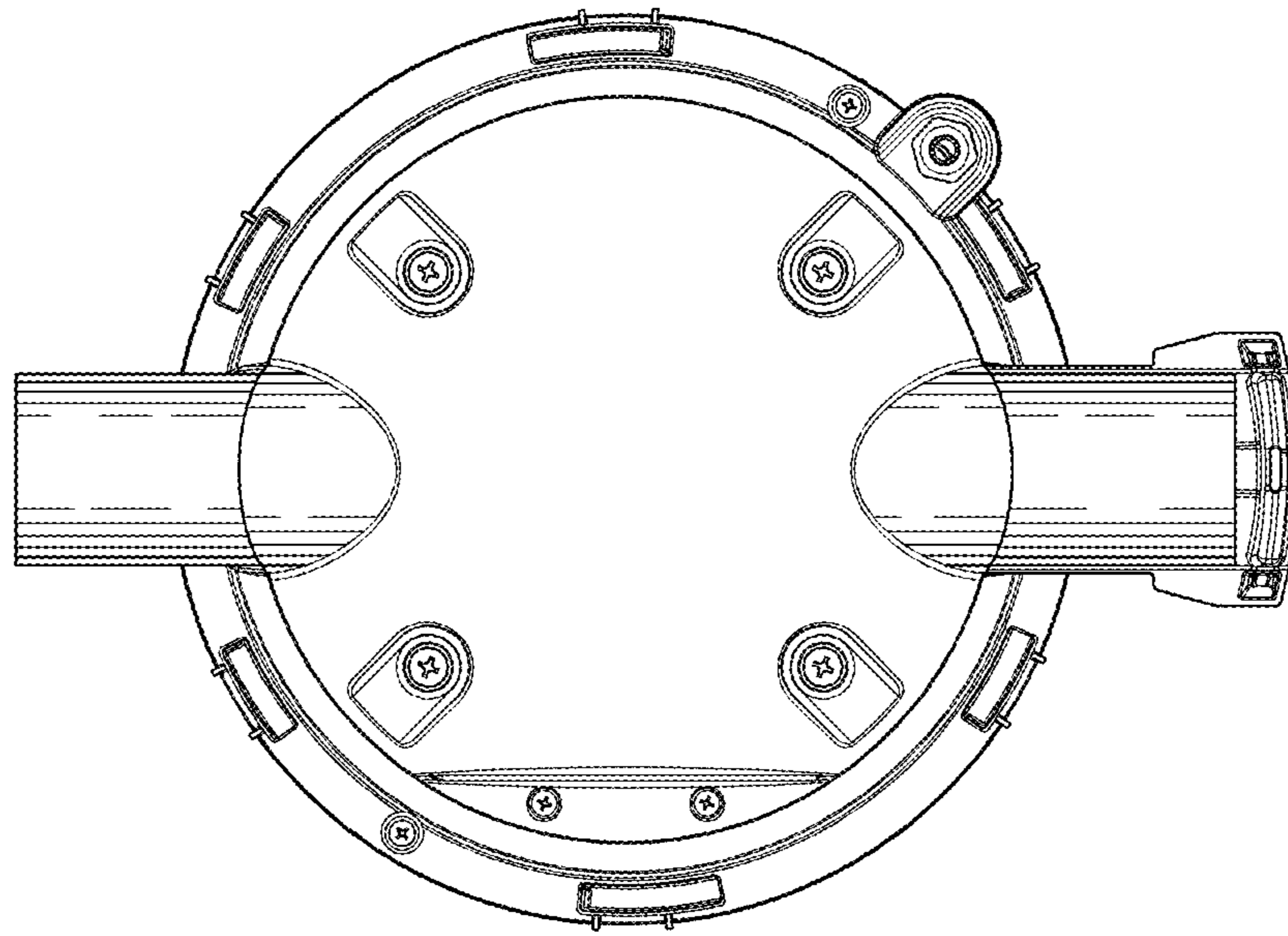


FIG. 6

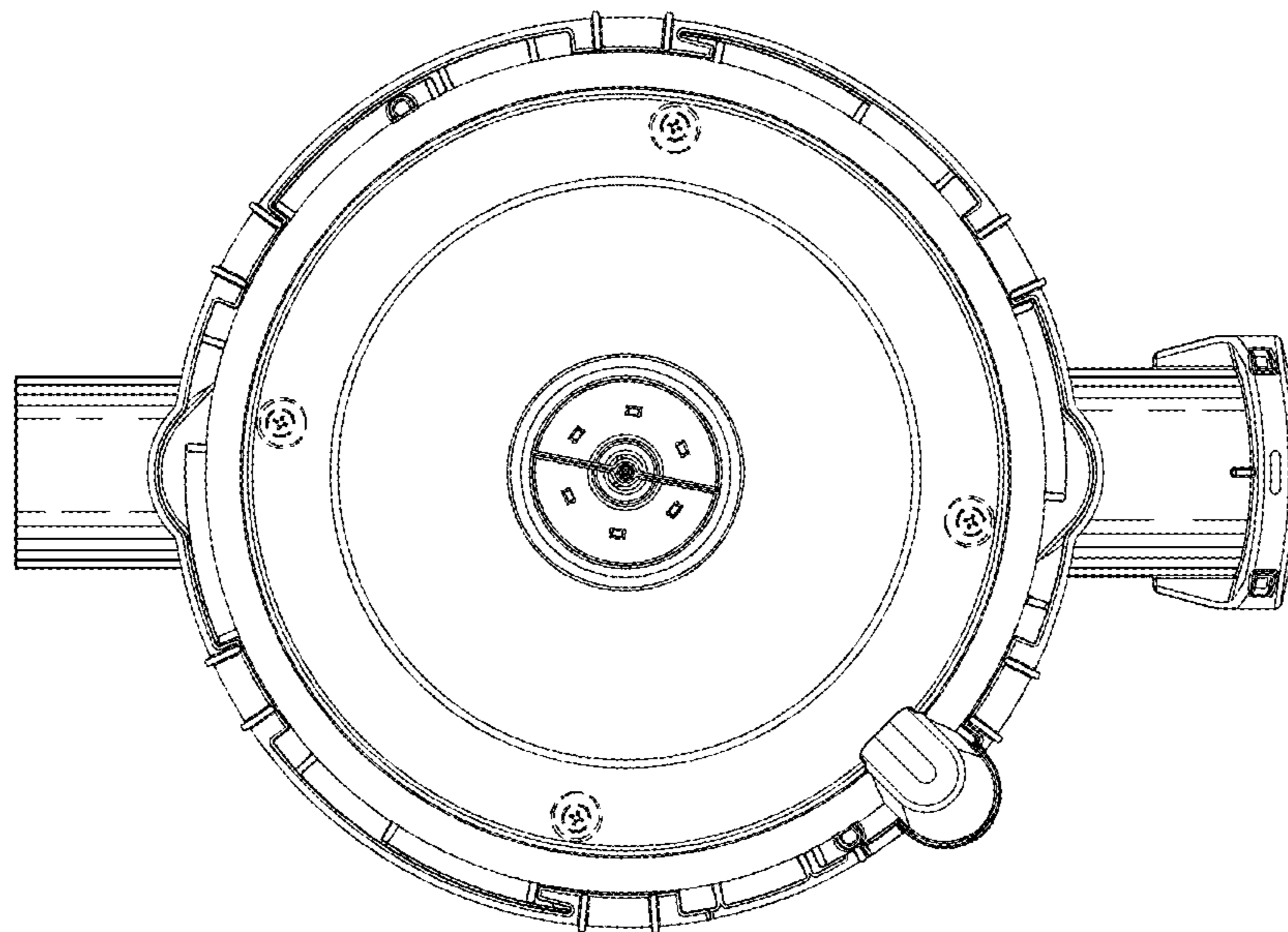


FIG. 7