



US00D882185S

(12) **United States Design Patent** (10) **Patent No.:** **US D882,185 S**
Stein (45) **Date of Patent:** **** Apr. 21, 2020**

(54) **SEAT BELT COMPATIBLE PET TRAVEL BED**

(71) Applicant: **Enchante Accessories Inc.**, New York, NY (US)

(72) Inventor: **Robin Stein**, New York, NY (US)

(73) Assignee: **ENCHANTE ACCESSORIES INC.**, New York, NY (US)

(**) Term: **15 Years**

(21) Appl. No.: **29/649,372**

(22) Filed: **May 29, 2018**

(51) **LOC (12) Cl.** **30-02**

(52) **U.S. Cl.**
USPC **D30/118**

(58) **Field of Classification Search**
USPC D30/108, 109, 118–120, 151, 158, 199;
D6/595–596, 601, 604–605; 119/28.5,
119/161–170, 496, 482, 484, 706, 498,
119/497; D21/803, 808, 809
CPC A47C 3/12; A47C 3/18; A47C 4/03; A47C
5/12; A47C 7/16; A47C 7/02; A01K
1/0353

See application file for complete search history.

(56) **References Cited**

U.S. PATENT DOCUMENTS

D187,313 S *	2/1960	Denyer	D21/803
D252,486 S *	7/1979	Petersilie	D30/118
D263,770 S *	4/1982	Melchior	D30/118
D295,904 S *	5/1988	McMahon	D30/118
D309,200 S *	7/1990	McMahon	D30/118
D314,252 S *	1/1991	Home	D30/118
D325,475 S *	4/1992	Genova	D30/118
D349,787 S *	8/1994	McMahon	D30/118
D392,775 S *	3/1998	McMahon	D30/118
D396,332 S *	7/1998	McMahon	D30/118

D414,003 S *	9/1999	Hering	D30/118
D423,729 S *	4/2000	Morgan	D30/118
D427,731 S *	7/2000	Copple	D30/118
D428,215 S *	7/2000	Copple	D30/118
D430,709 S *	9/2000	Mirabito	D30/118
D431,694 S *	10/2000	Copple	D30/118
D525,804 S *	8/2006	Schwartz	D21/809
D686,684 S *	7/2013	Wolfenbarger	D21/803
2002/0185072 A1 *	12/2002	Walpin	A01K 1/0353 119/28.5

OTHER PUBLICATIONS

“Louisdog Blue Lagoon Driving Kit Car Seat” available Sep. 14, 2019, [online], [site visited Sep. 14, 2019]. Retrieved from Internet, URL: <https://www.funnyfur.com/featured-designers/louisdog/louisdog-blue-lagoon-driving-kit-car-seat/> (Year: 2019).*

(Continued)

Primary Examiner — Michael C Stout

Assistant Examiner — Katrina N Gonzalez

(74) *Attorney, Agent, or Firm* — Notaro, Michalos & Zaccaria P.C.

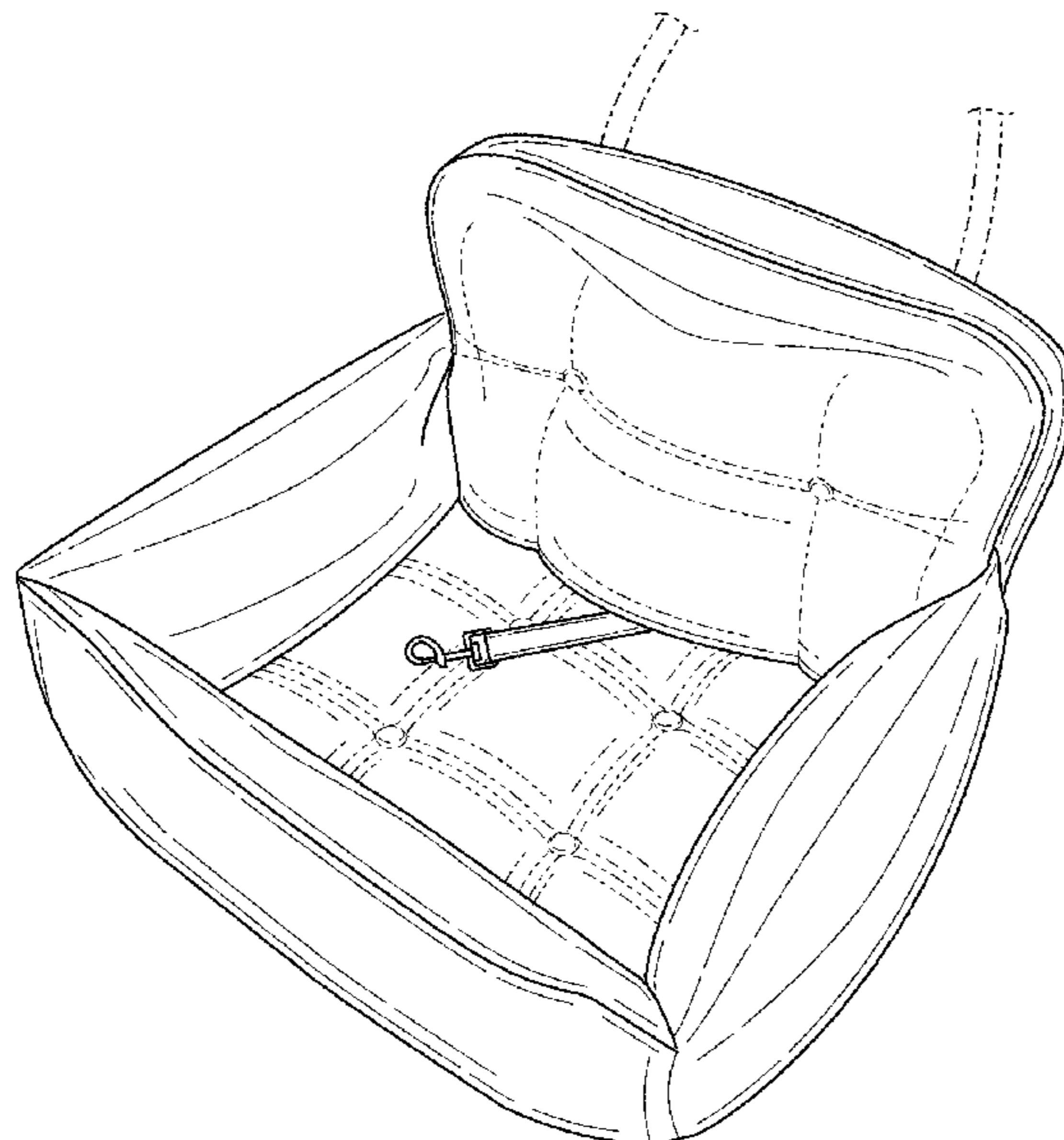
(57) **CLAIM**

The ornamental design for a seat belt compatible pet travel bed, as shown and described.

DESCRIPTION

FIG. 1 is a top, front perspective view of a seat belt compatible pet travel bed showing my design therefor; FIG. 2 is a front elevational view thereof; FIG. 3 is a rear elevational view thereof; FIG. 4 is a left side elevational view thereof; FIG. 5 is a right side elevational view thereof; FIG. 6 is a top plan view thereof; and, FIG. 7 is a bottom plan view thereof. Throughout the drawings the broken lines depict environment and form no part of the design.

1 Claim, 5 Drawing Sheets



(56)

References Cited

OTHER PUBLICATIONS

“HAHY Dog Car Seat” available Sep. 14, 2019, [online], [site visited Sep. 14, 2019]. Retrieved from Internet, URL:https://www.dominictemmel.com/index.php?main_page=product_info&products_id=10876 (Year: 2019).*

* cited by examiner

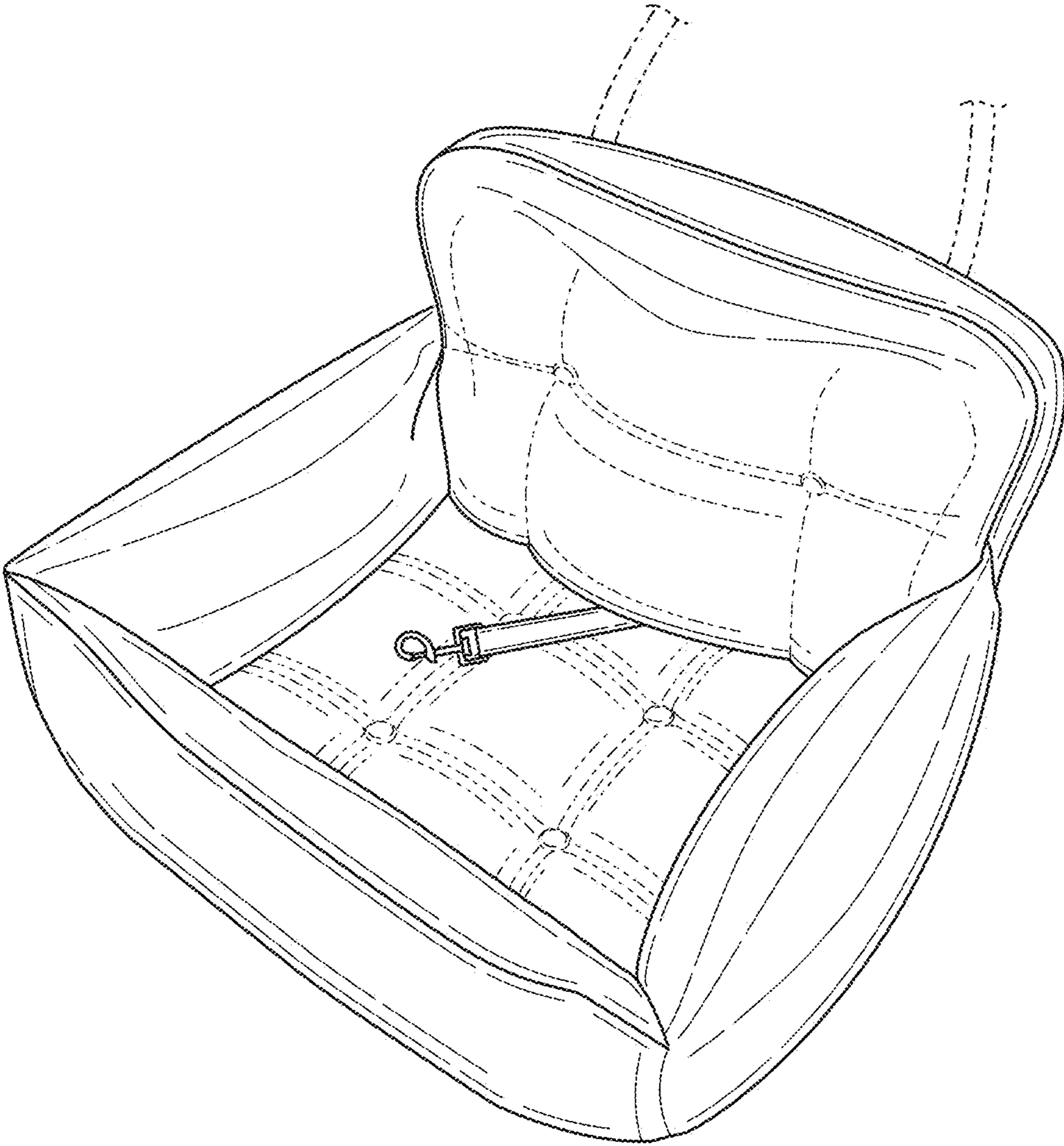


FIG. 1

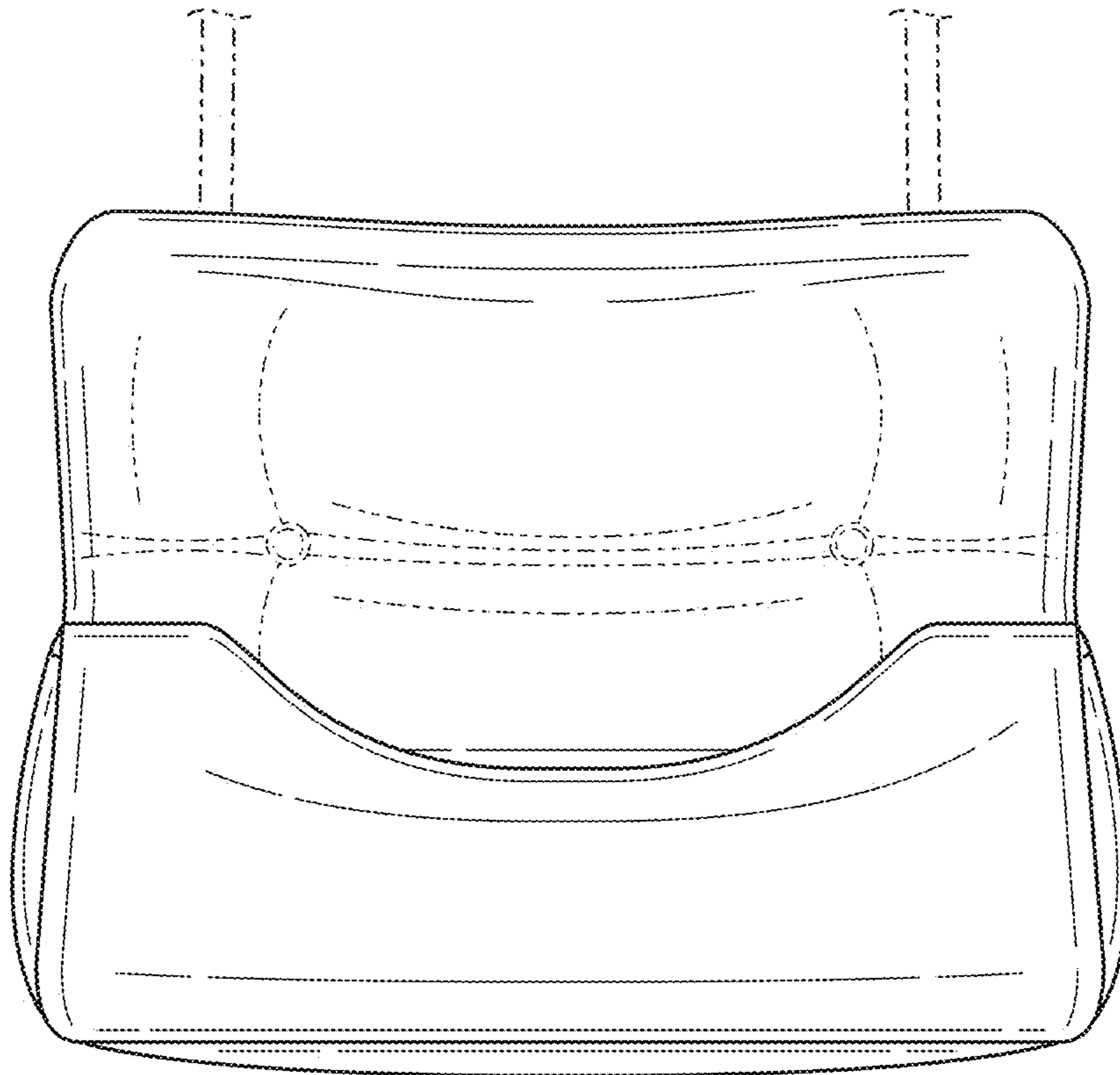


FIG. 2

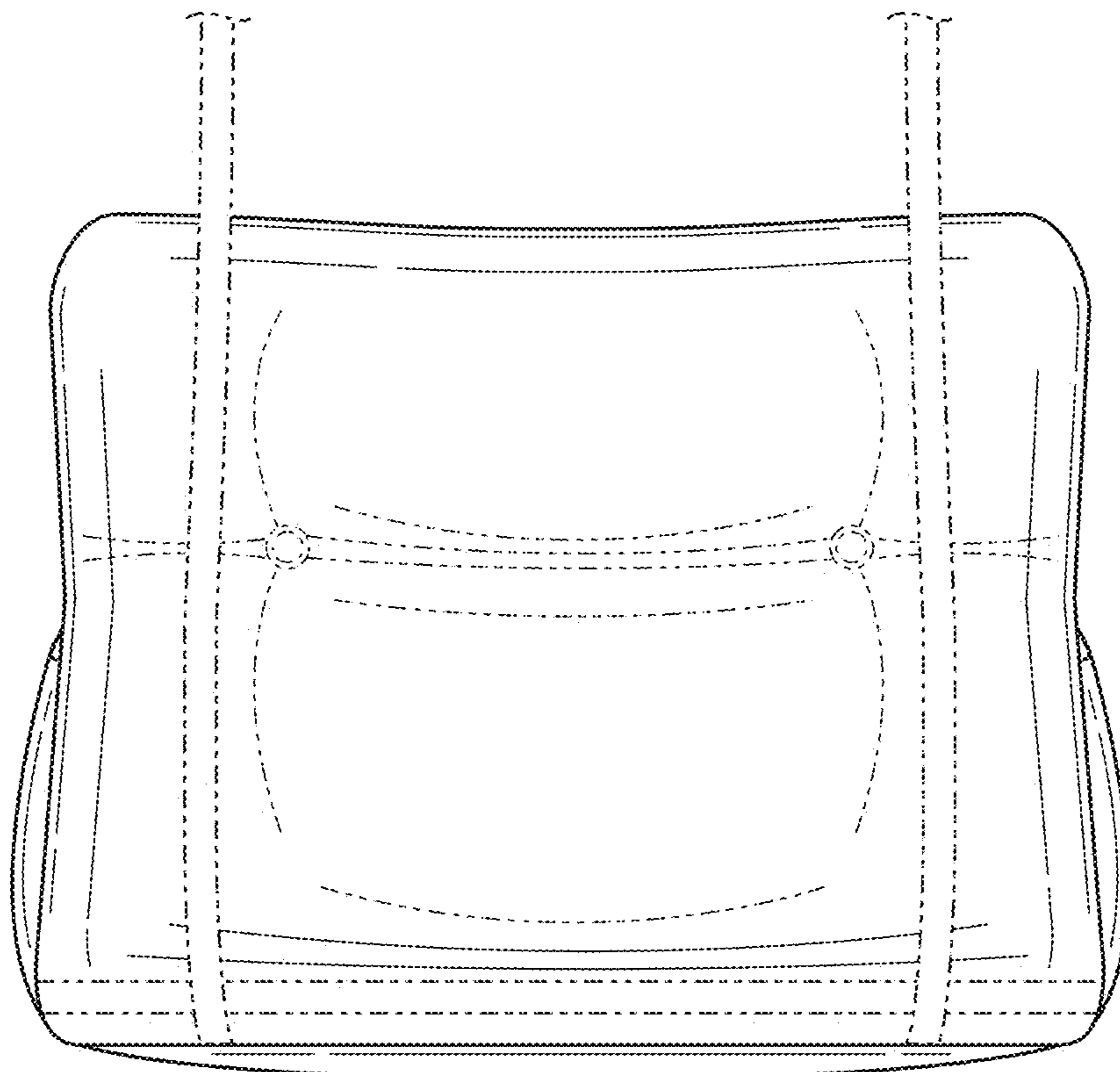


FIG. 3

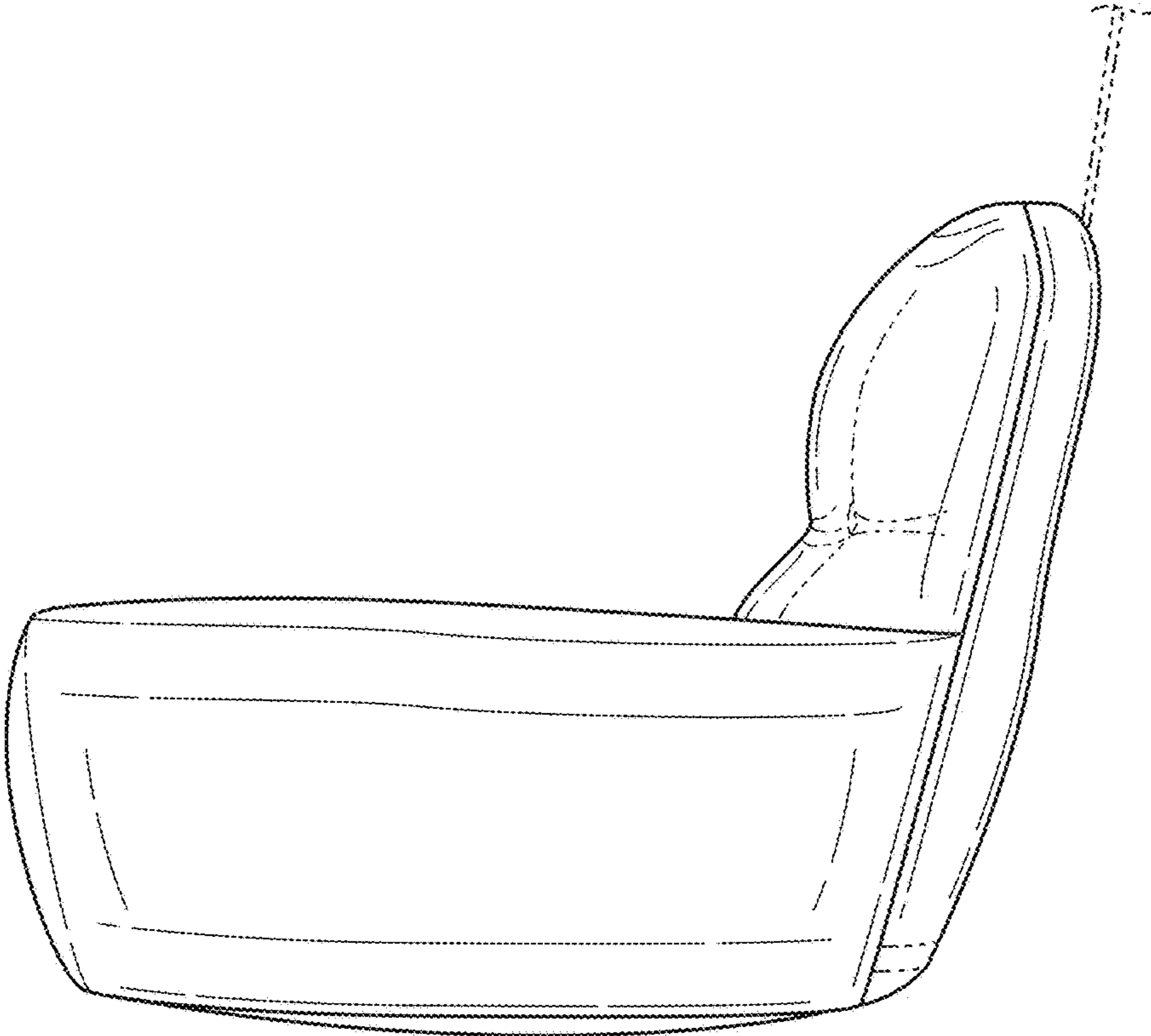


FIG. 4

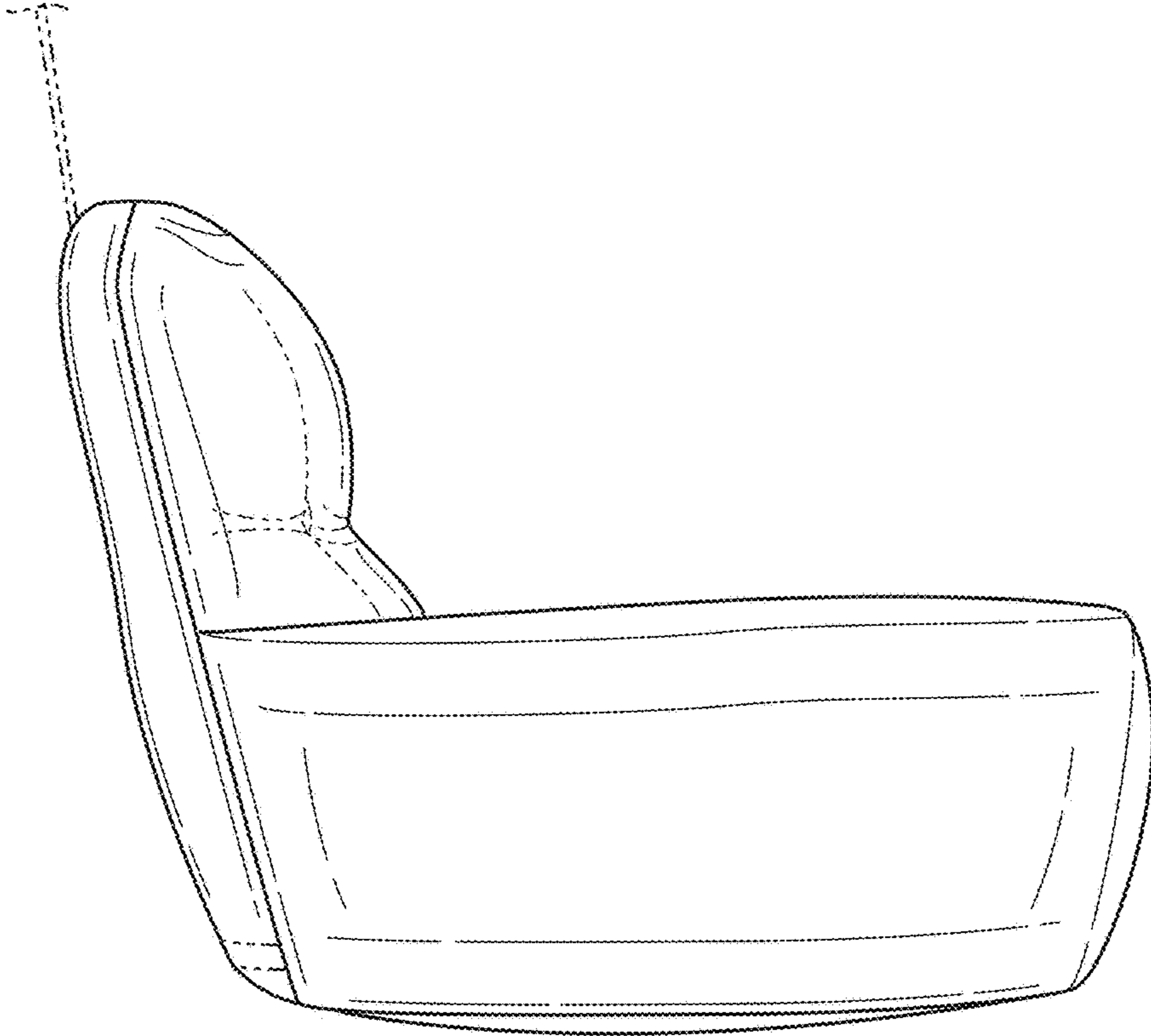


FIG. 5

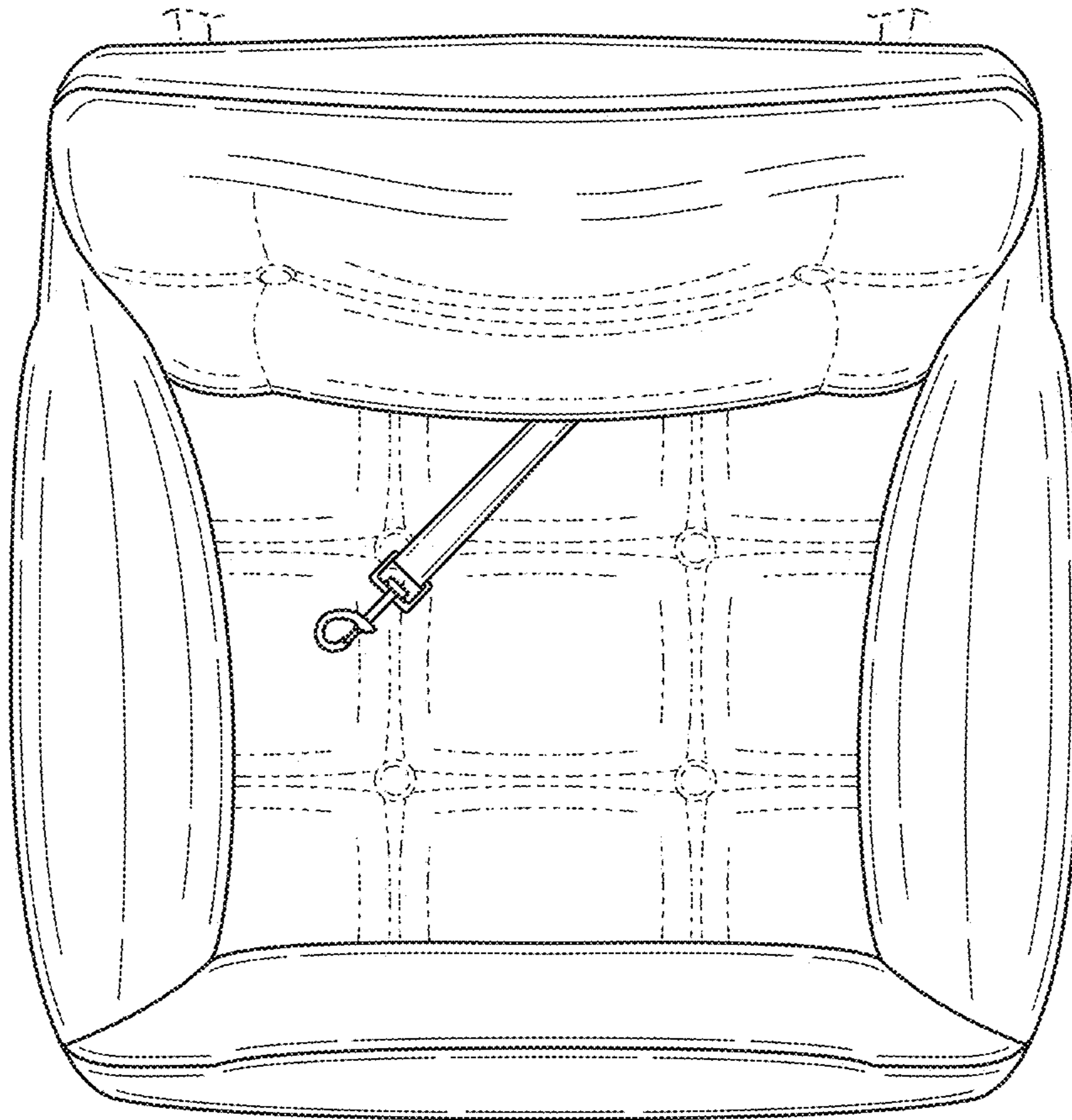


FIG. 6

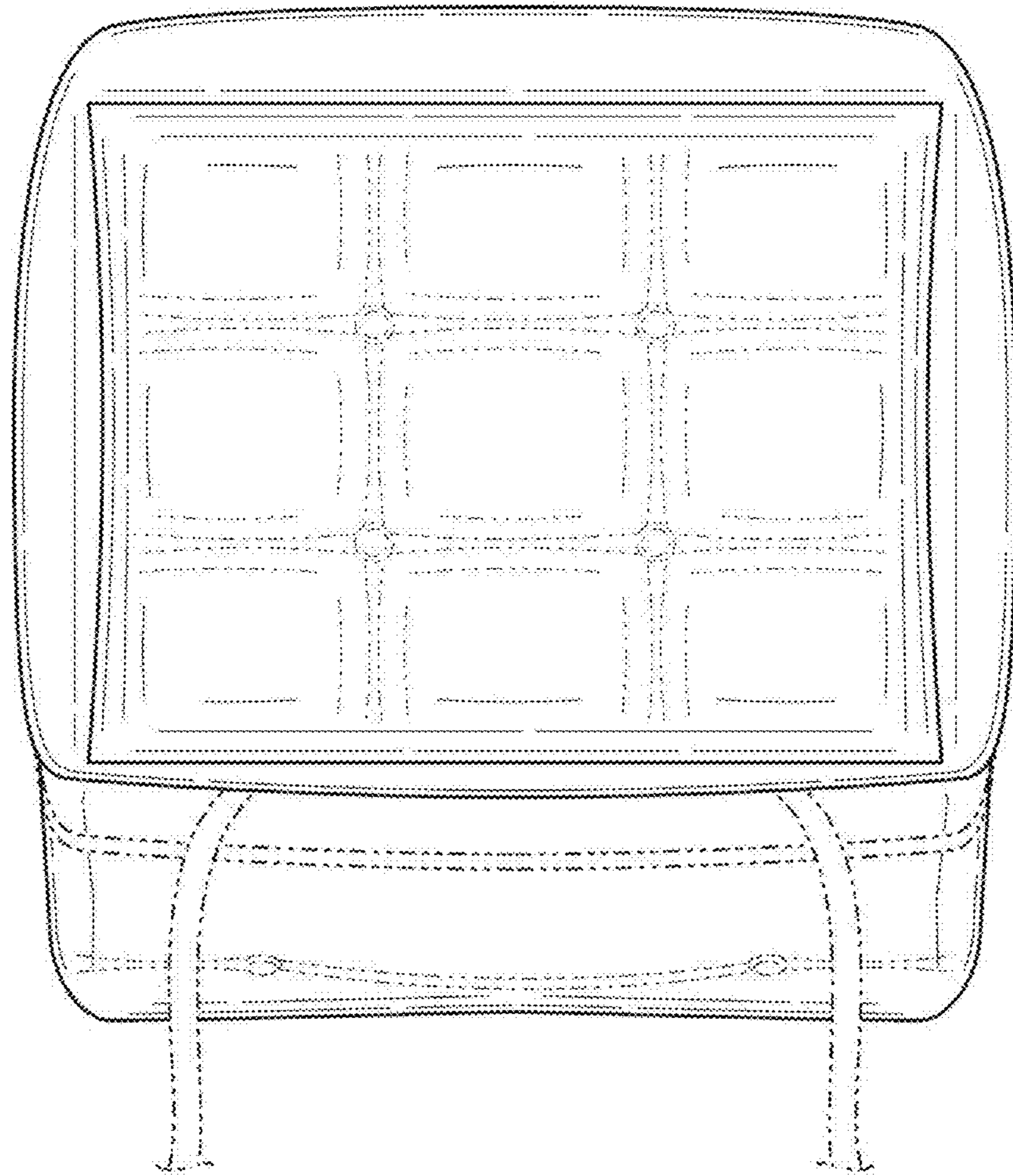


FIG. 7