



US00D882184S

(12) **United States Design Patent** (10) **Patent No.:** **US D882,184 S**  
**Jakubowski et al.** (45) **Date of Patent:** **\*\* Apr. 21, 2020**

(54) **PET STROLLER**  
(71) Applicant: **Vermont Juvenile Furniture Mfg., Inc., West Rutland, VT (US)**  
(72) Inventors: **Chris Jakubowski, Rutland, VT (US); Todd Jakubowski, Rutland, VT (US); Kristen Jakubowski, Rutland, VT (US)**

D780,073 S 2/2017 Tsai  
D782,370 S 3/2017 Pos  
D789,252 S 6/2017 Qiu  
D789,838 S 6/2017 Johan  
D791,649 S 7/2017 Zhou  
D793,914 S 8/2017 Eriksson

(Continued)

**FOREIGN PATENT DOCUMENTS**

(73) Assignee: **Vermont Juvenile Furniture Mfg., Inc., West Rutland, VT (US)**

CN 203450158 2/2014  
CN 203920809 11/2014

(Continued)

(\*\*) Term: **15 Years**

**OTHER PUBLICATIONS**

(21) Appl. No.: **29/661,140**

“PetGear Inc” available Sep. 14, 2019, [online], [site visited Sep. 14, 2019]. Retrieved from Internet, URL:https://www.petgearinc.com/product\_info.asp?id=659 (Year: 2019).\*

(22) Filed: **Aug. 24, 2018**

(51) **LOC (12) Cl.** ..... **30-02**

(52) **U.S. Cl.**  
USPC ..... **D30/109**

(58) **Field of Classification Search**  
USPC ..... D30/108, 109, 118–120, 151, 158, 199;  
D21/419, 421, 433, 534, 535; D12/128,  
D12/129, 133; D34/12, 34, 27  
See application file for complete search history.

*Primary Examiner* — Michael C Stout  
*Assistant Examiner* — Katrina N Gonzalez  
(74) *Attorney, Agent, or Firm* — Volpe and Koenig, P.C.

(57) **CLAIM**

The ornamental design for a pet stroller, as shown and described.

(56) **References Cited**

**DESCRIPTION**

**U.S. PATENT DOCUMENTS**

D308,656 S 6/1990 Takahashi  
D415,073 S 10/1999 Meehan  
D445,965 S \* 7/2001 Licciardello ..... D12/129  
D453,593 S \* 2/2002 Licciardello ..... D30/109  
D475,660 S 6/2003 Licciardello  
D478,198 S 8/2003 Koppes  
D569,049 S \* 5/2008 Lin ..... D30/109  
D641,293 S 7/2011 Tsai  
D693,742 S 11/2013 Fredendall  
D716,705 S \* 11/2014 Holefleisch ..... D12/133  
D723,746 S 3/2015 Jakubowski  
D757,370 S 5/2016 Jakubowski  
D765,555 S 9/2016 Lai

FIG. 1 is a top, front, left perspective view of a pet stroller in accordance with our design;  
FIG. 2 is a front elevational view thereof;  
FIG. 3 is a rear elevational view thereof;  
FIG. 4 is a left side elevational view thereof;  
FIG. 5 is a right side elevational view thereof;  
FIG. 6 is a top plan view thereof; and,  
FIG. 7 is a bottom plan view thereof.  
The broken lines illustrate portions of the pet stroller that form no part of the claimed design.

**1 Claim, 7 Drawing Sheets**



(56)

**References Cited**

U.S. PATENT DOCUMENTS

D795,140 S 8/2017 Butler  
D801,592 S \* 10/2017 Jakubowski ..... D30/109  
D820,169 S \* 6/2018 Eriksson ..... D12/133  
D827,939 S \* 9/2018 Jakubowski ..... D30/109  
D855,899 S \* 8/2019 Jakubowski ..... D30/109  
2014/0191483 A1 7/2014 Rolicki  
2014/0230747 A1\* 8/2014 Jakubowski ..... B62B 9/14  
119/496  
2014/0319884 A1 10/2014 Doucette  
2018/0022371 A1\* 1/2018 Jakubowski ..... B62B 5/0013  
280/641  
2018/0132446 A1\* 5/2018 Jakubowski ..... A01K 1/0236

FOREIGN PATENT DOCUMENTS

GB 2511200 8/2014  
TW M267130 6/2005

\* cited by examiner



FIG. 1

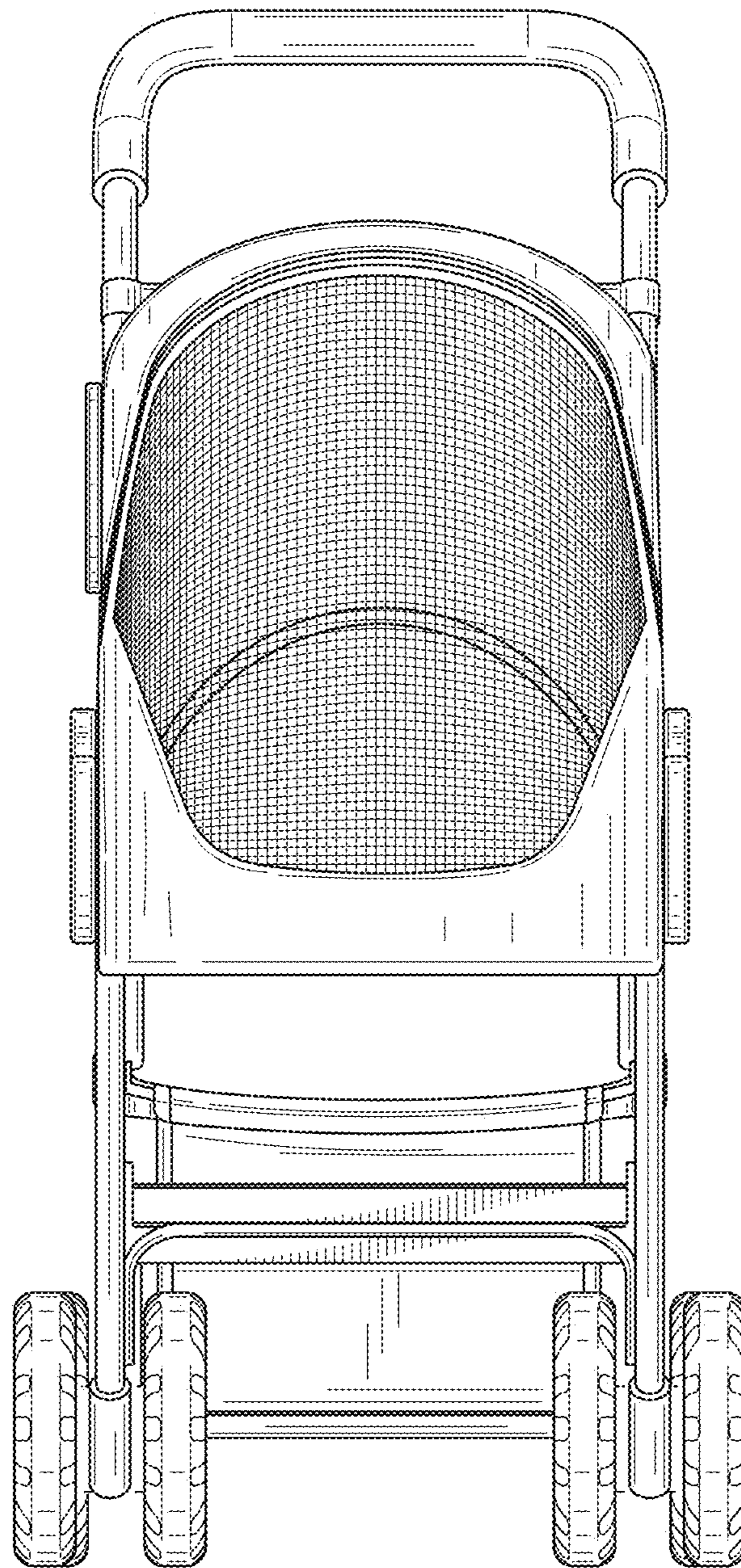


FIG. 2

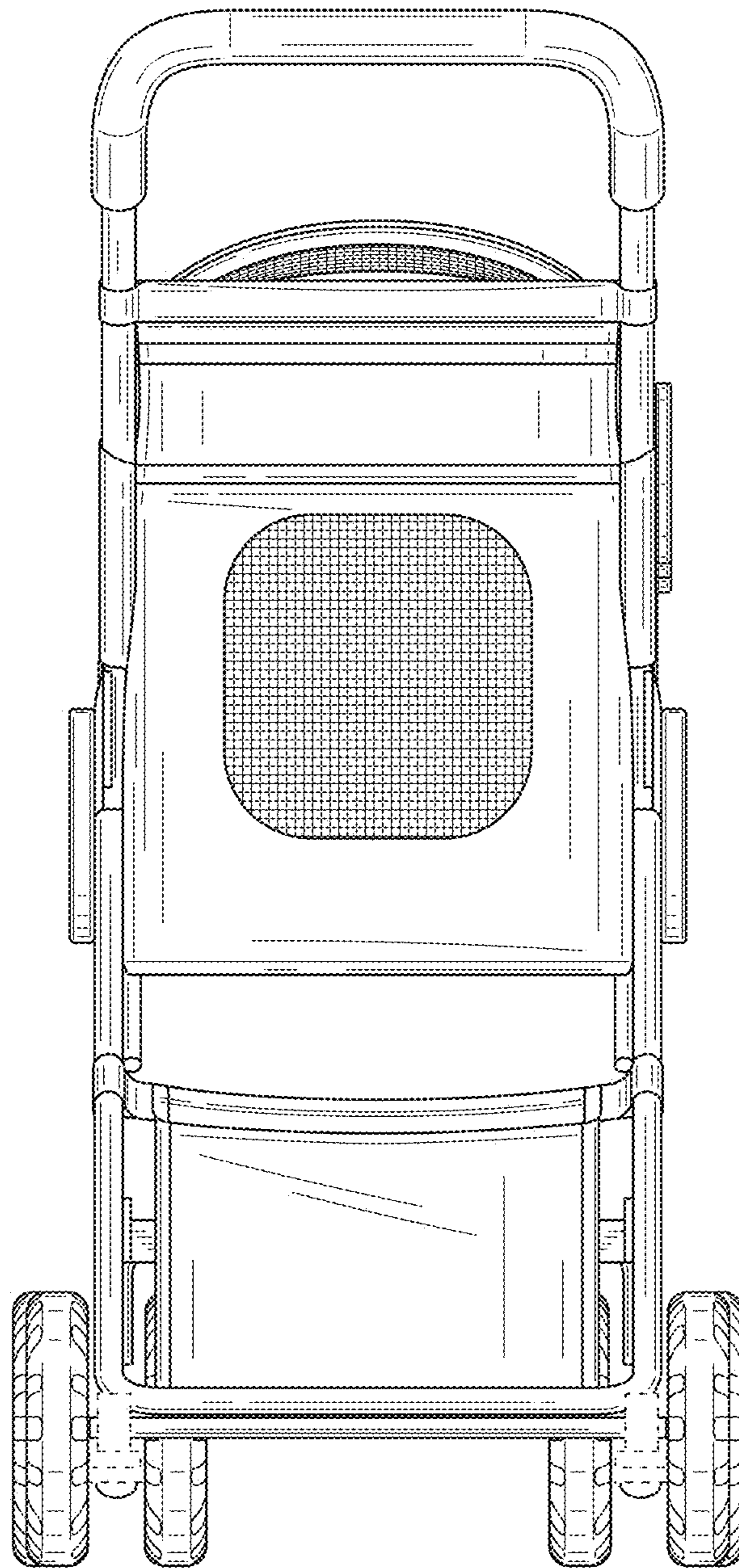


FIG. 3

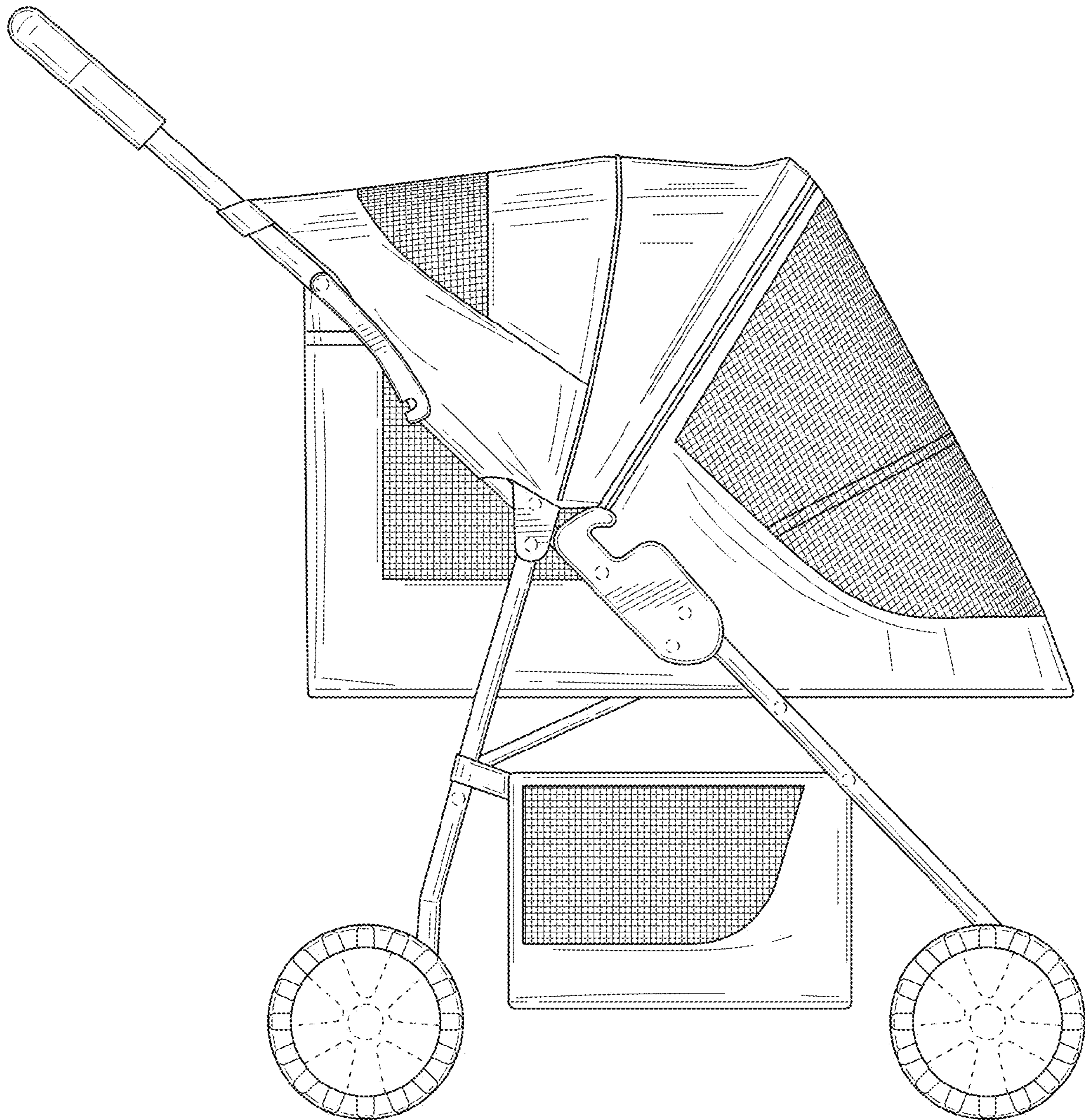


FIG. 4

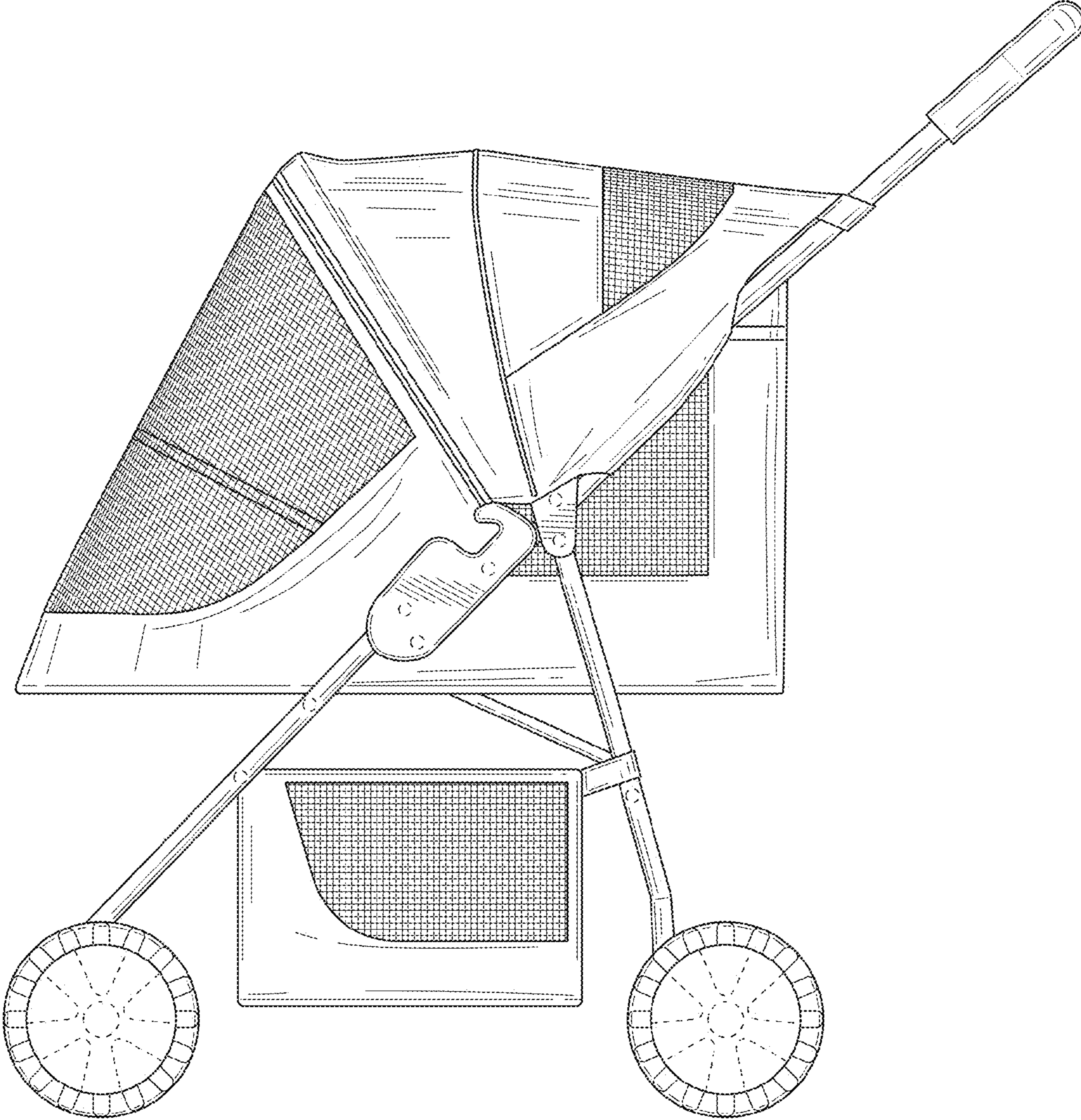


FIG. 5

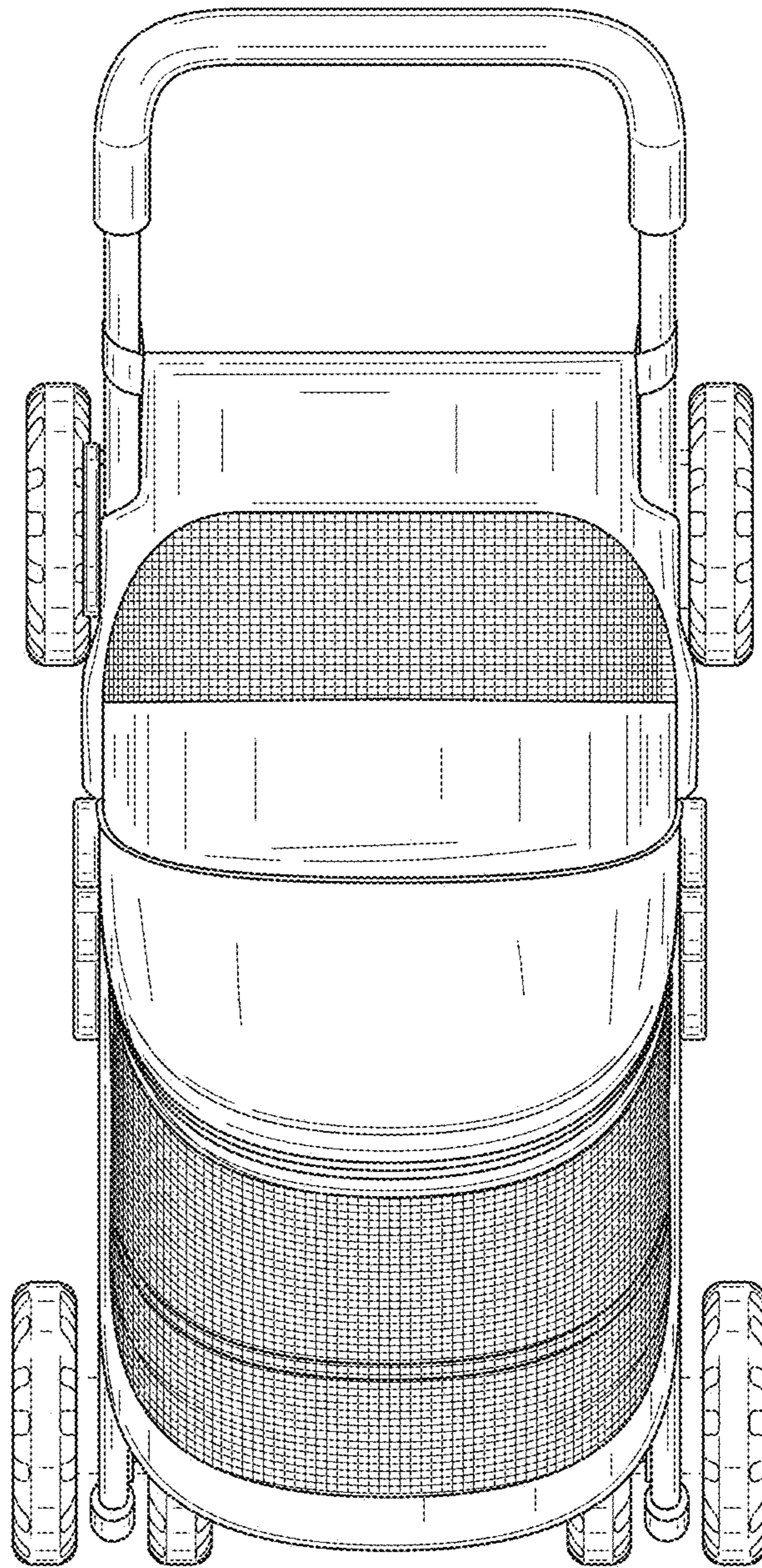


FIG. 6



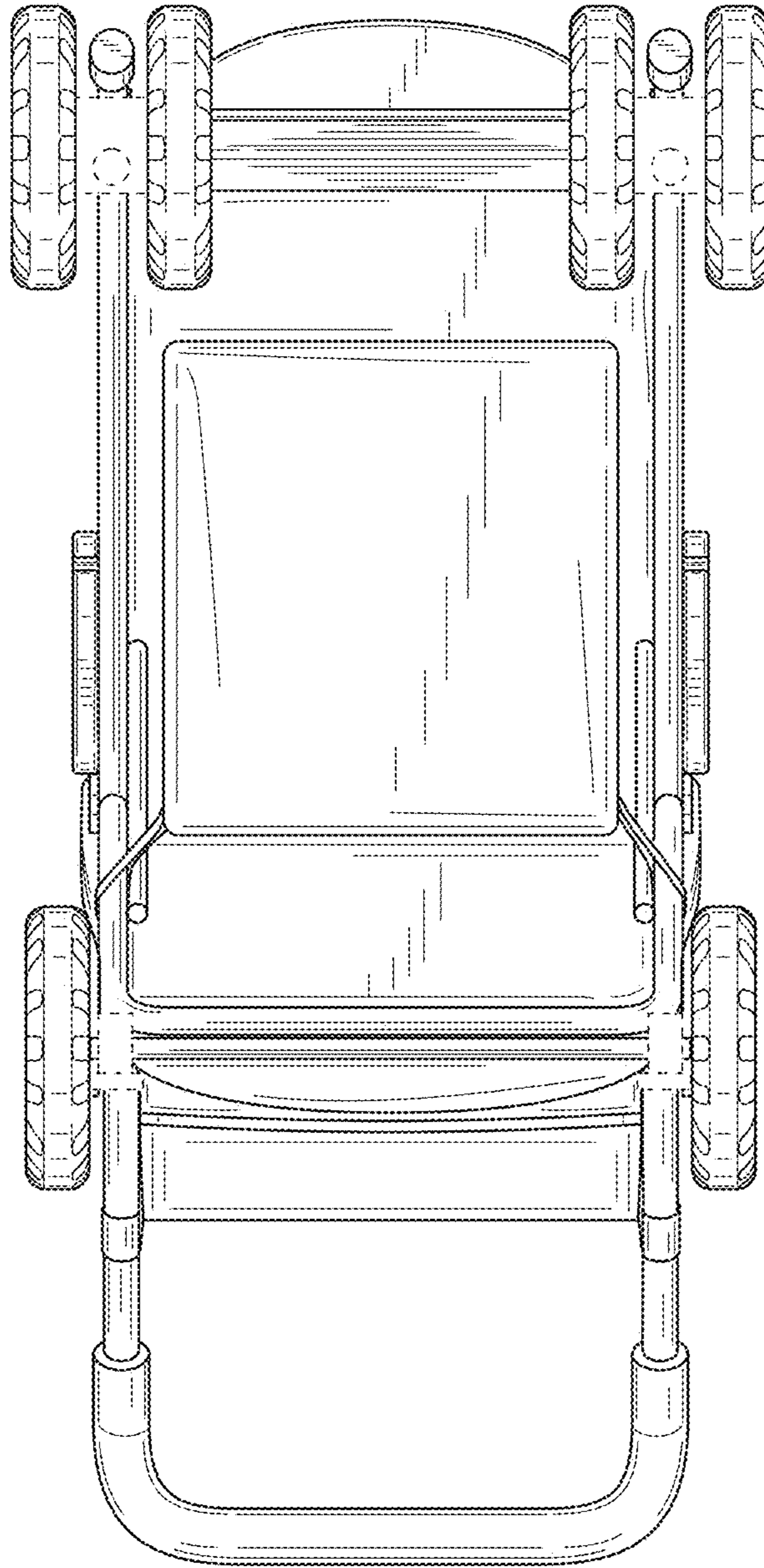


FIG. 7