



US00D882182S

(12) **United States Design Patent**
Fekete

(10) **Patent No.:** **US D882,182 S**

(45) **Date of Patent:** **** Apr. 21, 2020**

(54) **FACE SHIELD**

(71) Applicant: **Szonja Fekete**, Elk Grove, CA (US)

(72) Inventor: **Szonja Fekete**, Elk Grove, CA (US)

(**) Term: **15 Years**

(21) Appl. No.: **29/685,423**

(22) Filed: **Mar. 28, 2019**

(51) **LOC (12) Cl.** **29-02**

(52) **U.S. Cl.**

USPC **D29/110**

(58) **Field of Classification Search**

USPC D29/105–107, 110, 122;

D24/110.1–110.3; D16/312–314

See application file for complete search history.

(56) **References Cited**

U.S. PATENT DOCUMENTS

2,798,222	A *	7/1957	Evans	A42B 3/225	2/9
4,856,535	A	8/1989	Forbes			
4,965,887	A	10/1990	Paoluccio et al.			
4,986,282	A	1/1991	Stackhouse et al.			
D349,362	S *	8/1994	Russell	D29/110	
6,016,808	A *	1/2000	Landis	A61F 9/045	128/857
D563,603	S *	3/2008	Huh	D29/122	
7,774,858	B2	8/2010	Kayerod			
D723,744	S *	3/2015	Pfanner	D29/110	
D732,242	S	6/2015	Miller et al.			
D759,900	S	6/2016	Cummings et al.			
9,532,617	B2 *	1/2017	Miller	A41D 13/1184	
9,532,619	B1	1/2017	Warra et al.			
D805,256	S *	12/2017	Yang	D29/110	

D853,656	S *	7/2019	Martin	D29/110	
2005/0015838	A1	1/2005	Cheng			
2006/0081263	A1	4/2006	Vega et al.			
2010/0146679	A1	6/2010	Heil			
2012/0047614	A1 *	3/2012	Choi	A41D 13/1161	2/9
2012/0222185	A1	9/2012	Erikson			

FOREIGN PATENT DOCUMENTS

CN	201097766	Y	8/2008
EP	1894549	A1	5/2008

* cited by examiner

Primary Examiner — Robert A Delehanty

(74) *Attorney, Agent, or Firm* — Adams Law Office;
Sharon Adams

(57) **CLAIM**

The ornamental design for a face shield, as shown and described.

DESCRIPTION

FIG. 1 is a perspective view of a face shield showing the new design in use, where the broken line shows the environmental structure.

FIG. 2 is a front elevational view thereof.

FIG. 3 is a rear elevational view thereof.

FIG. 4 is right side elevational view thereof.

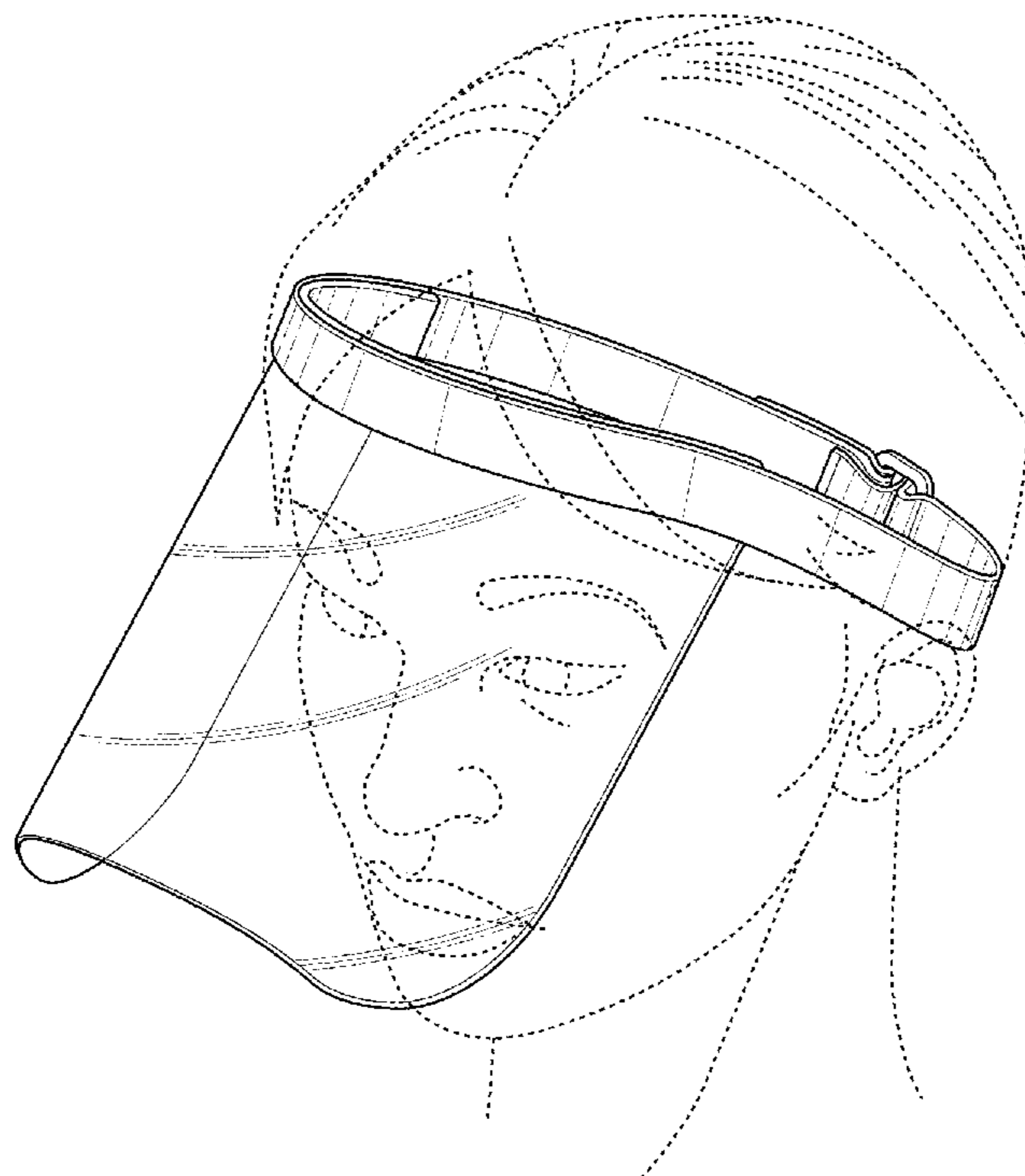
FIG. 5 is left side elevational view thereof.

FIG. 6 is a top plan view thereof; and,

FIG. 7 is a bottom plan view thereof.

The broken line showing in FIG. 1 is for the purpose of illustrating the environmental structure and forms no part of the claimed design.

1 Claim, 4 Drawing Sheets



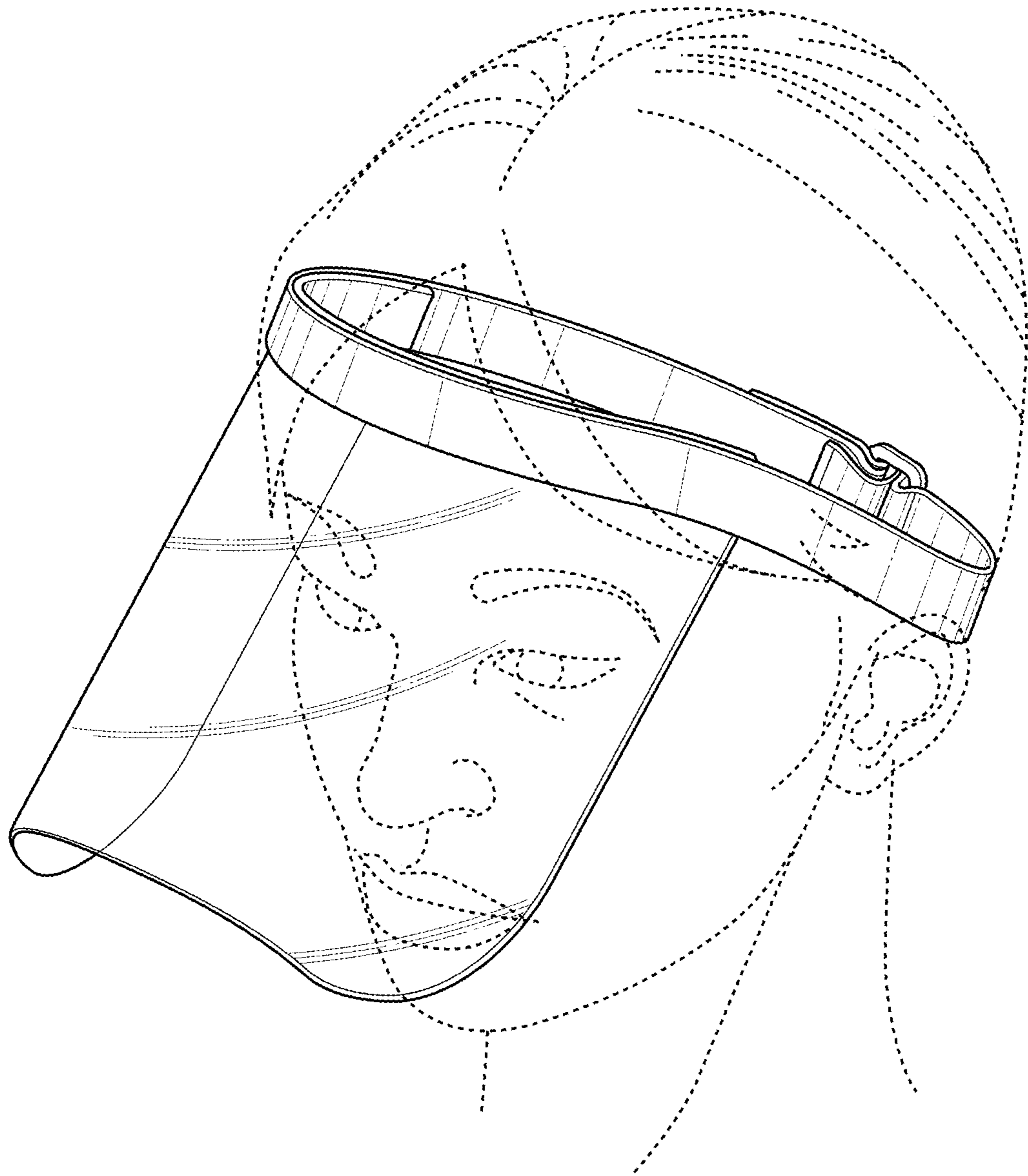


FIG. 1

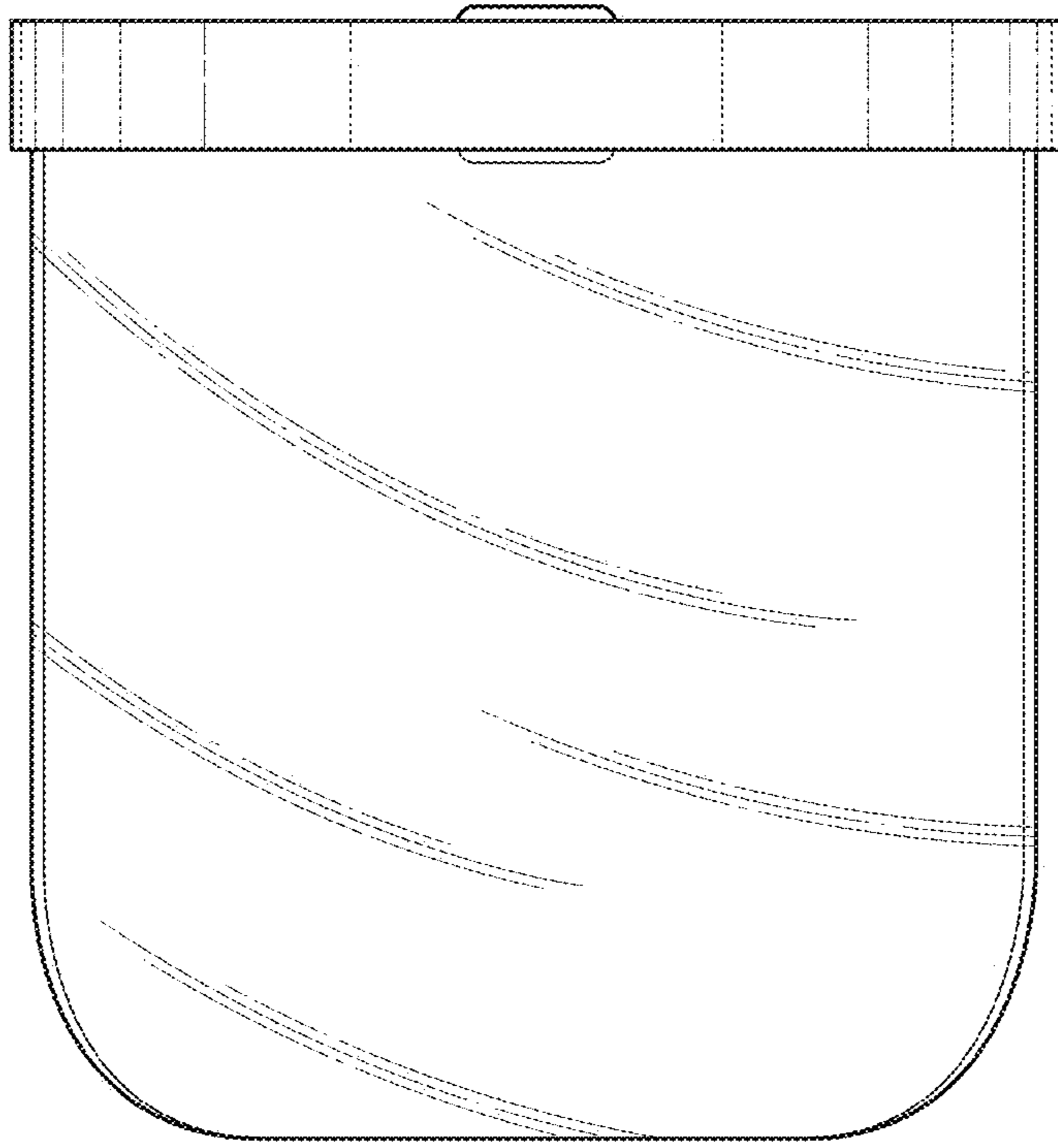


FIG. 2

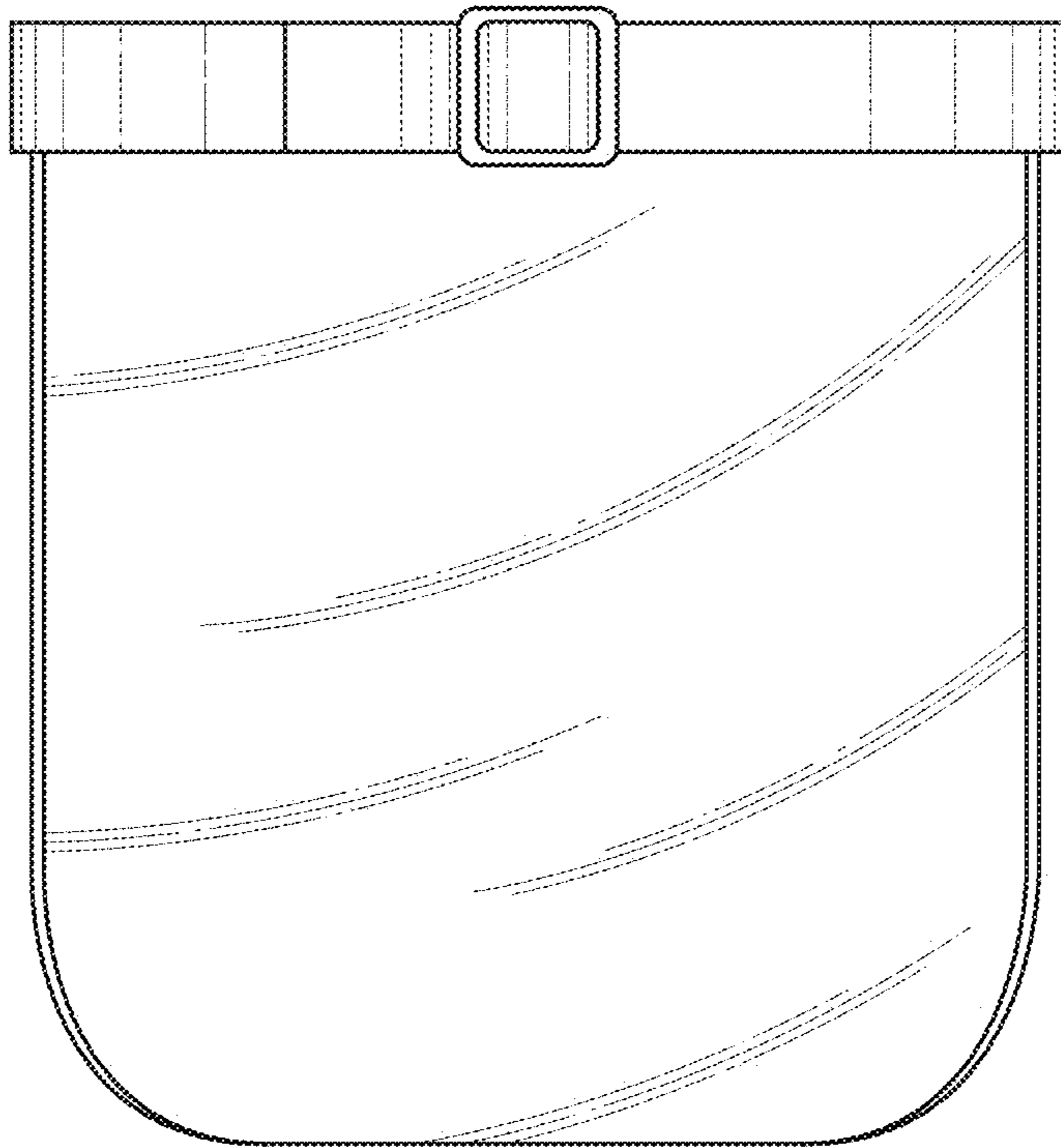


FIG. 3

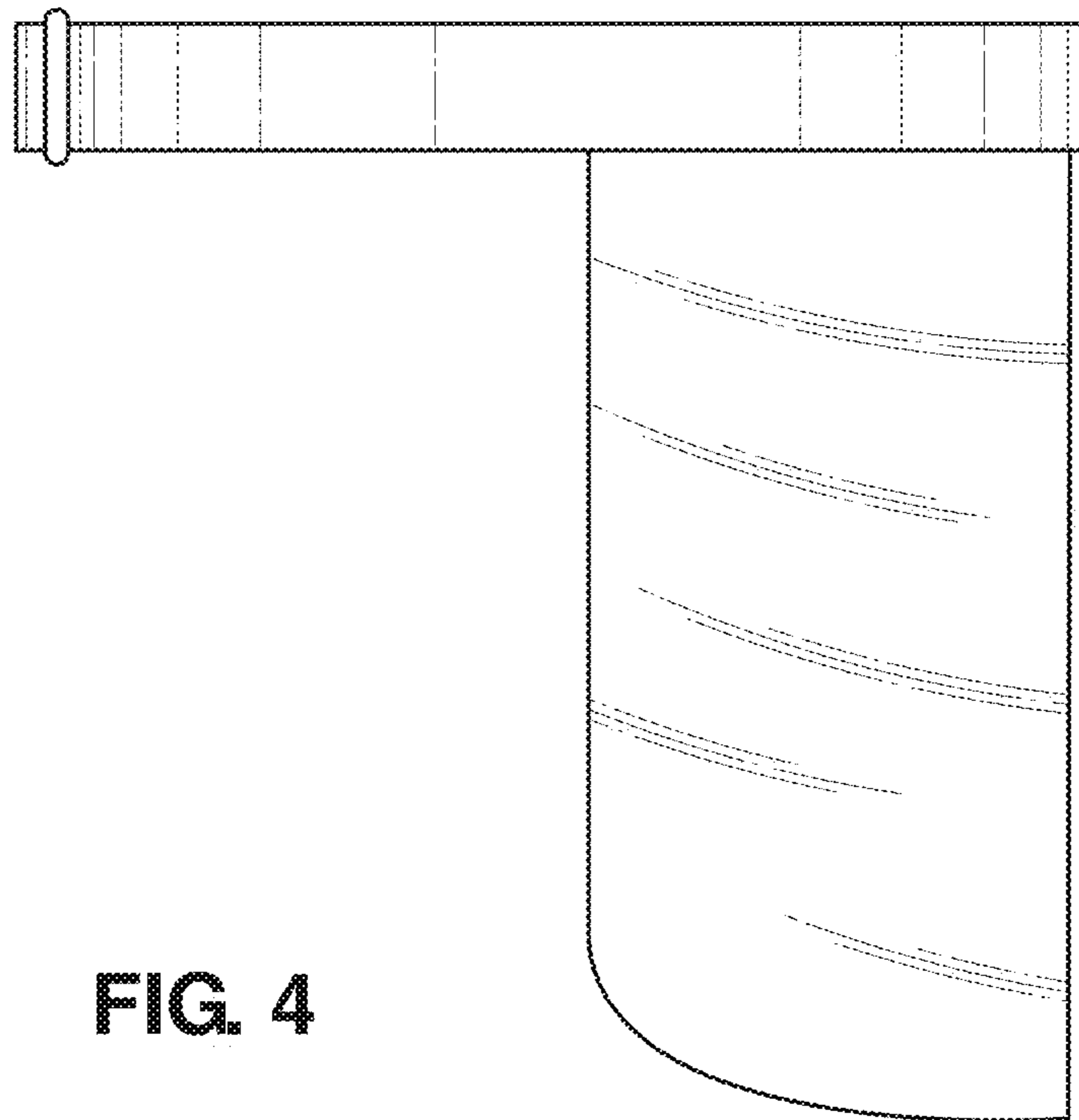


FIG. 4

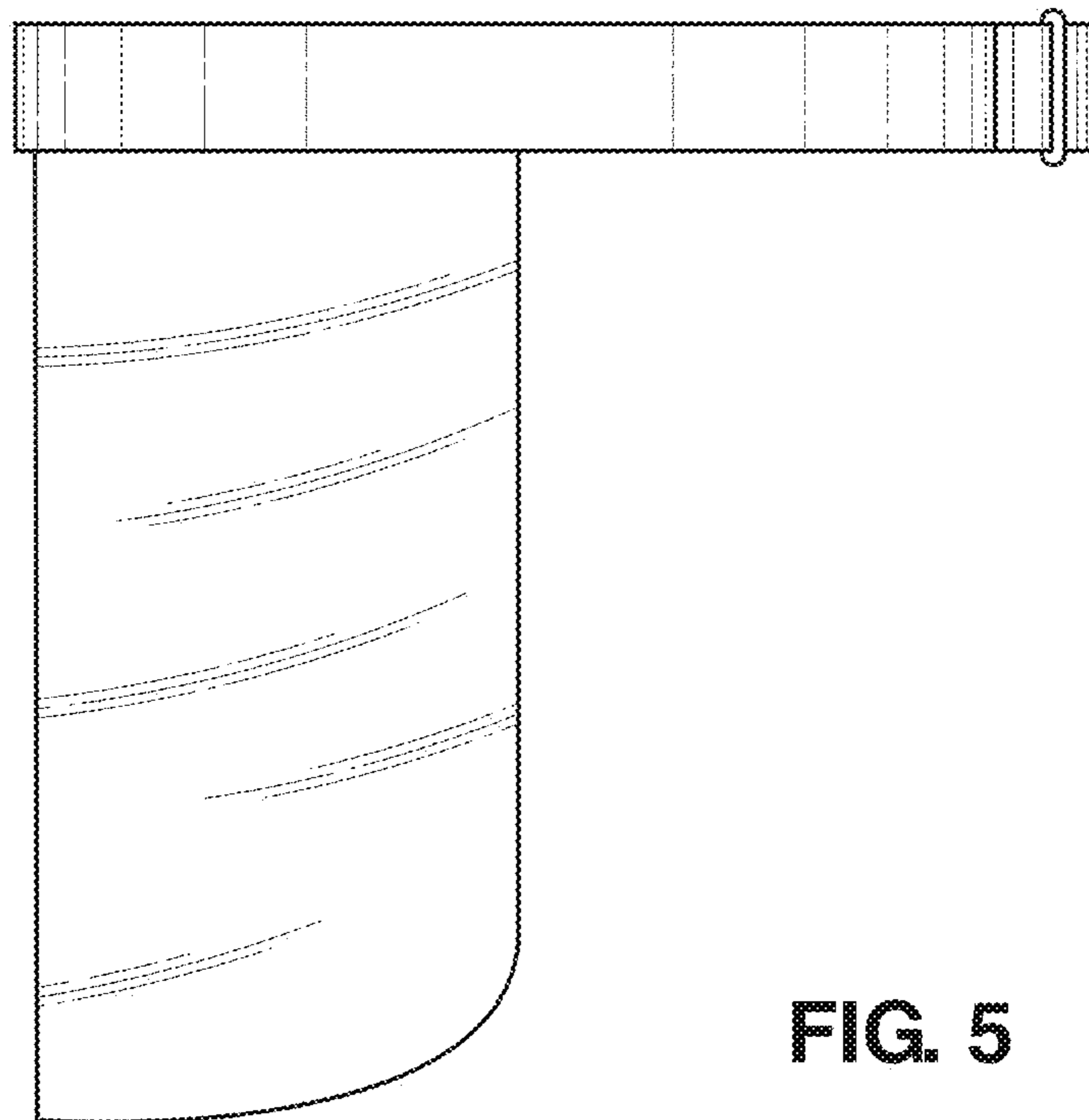


FIG. 5

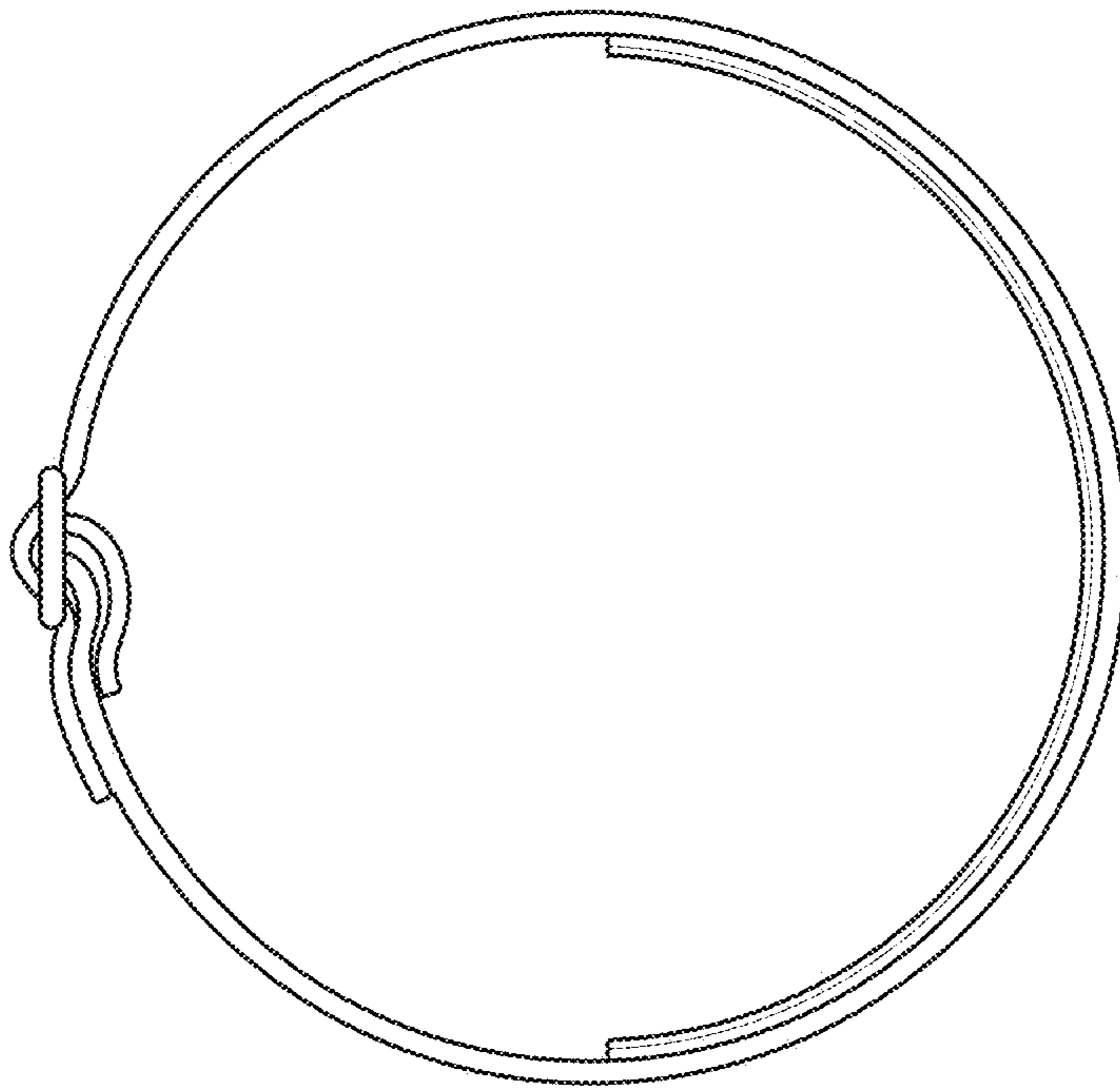


FIG. 6

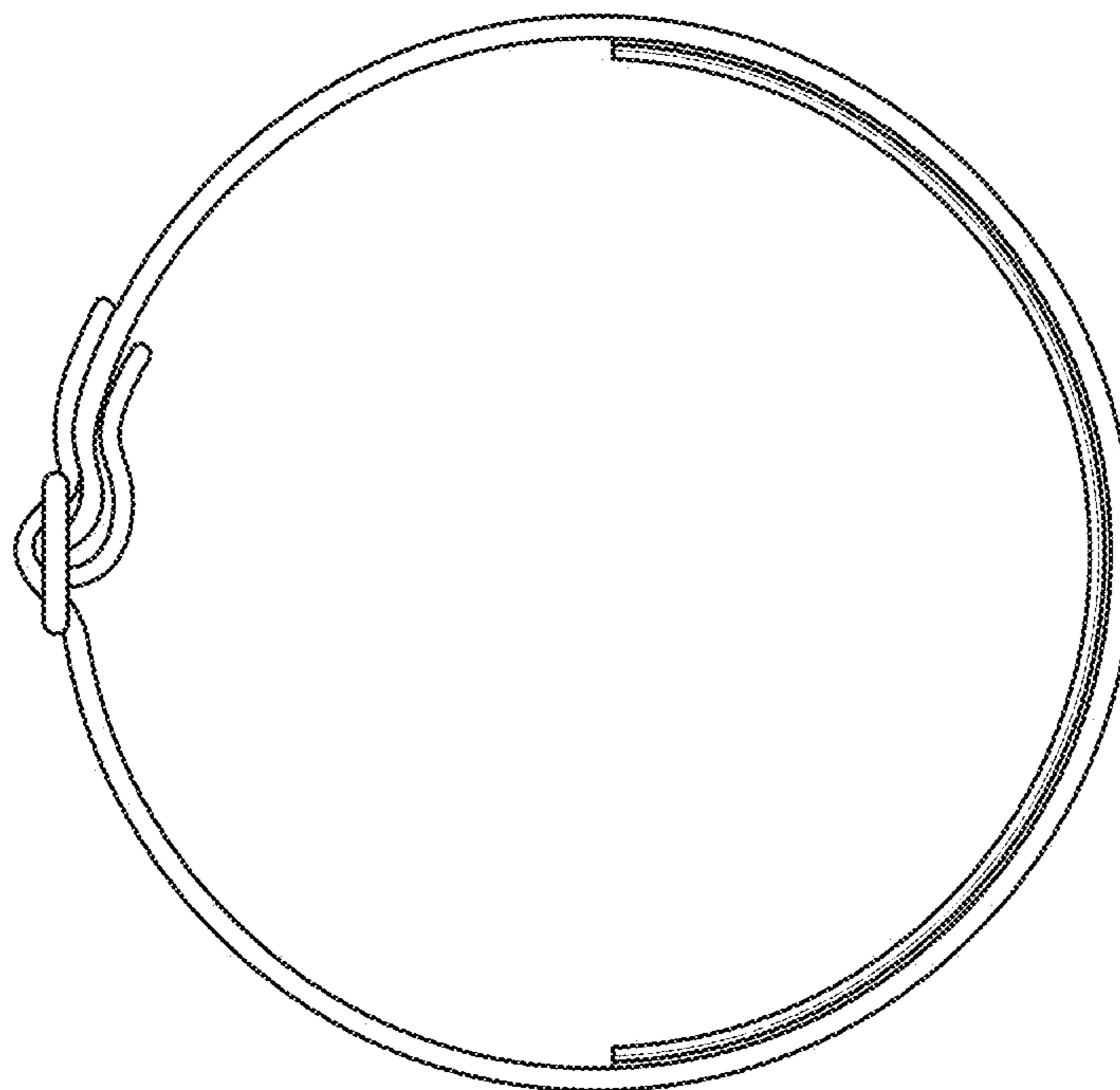


FIG. 7