



US00D882177S

(12) **United States Design Patent**
Nagata

(10) **Patent No.:** **US D882,177 S**

(45) **Date of Patent:** **** Apr. 21, 2020**

(54) **TRAY**

(71) Applicant: **Kaori Nagata**, Tokyo (JP)

(72) Inventor: **Kaori Nagata**, Tokyo (JP)

(73) Assignee: **SHISEIDO CO., LTD.**, Tokyo (JP)

(**) Term: **15 Years**

(21) Appl. No.: **29/667,872**

(22) Filed: **Oct. 25, 2018**

(51) **LOC (12) Cl.** **28-03**

(52) **U.S. Cl.**

USPC **D28/73**; D28/83

(58) **Field of Classification Search**

USPC D28/76-85, 88, 90, 99; D9/414, 424,
D9/430, 432, 456, 499, 503, 529, 516,
D9/556, 686, 738; D19/103; D24/121,
D24/227, 229

CPC A45D 33/00; A45D 33/003; A45D 33/006;
A45D 33/008; A45D 33/025; A45D
33/06; A45D 33/14; A45D 33/18; A45D
33/22; A45D 33/24; A45D 33/26; A45D
34/048; A45D 34/06; A45D 40/00; A45D
40/0068; A45D 40/02; A45D 40/023;
A45D 40/026; A45D 40/04; A45D 40/06;
A45D 40/065; A45D 40/10; A45D 40/12;
A45D 40/18; A45D 40/22; A45D 40/222;
A45D 40/24; A45D 40/262; A45D
40/264; A45D 40/265; A45D 42/00;
A45D 42/02; A45D 42/04

See application file for complete search history.

(56) **References Cited**

U.S. PATENT DOCUMENTS

RE23,573 E * 11/1952 Gruen D7/554.3
3,136,413 A * 6/1964 Hall B65D 81/05
206/305

D205,676 S * 9/1966 Kirwan D7/553.5
D281,968 S * 12/1985 Thiele D13/103
D291,757 S * 9/1987 Ritman D7/584
D441,090 S * 4/2001 Broyles D24/176
D540,669 S * 4/2007 George D7/392.1
D563,176 S * 3/2008 Gruneisen, III D7/553.2
D628,485 S * 12/2010 Golota D9/455
D644,514 S * 9/2011 Robins D9/456
D651,351 S * 12/2011 DeMarco D28/84
D655,158 S * 3/2012 Drozek D9/435
D662,821 S * 7/2012 Ouzts D9/456
D716,610 S * 11/2014 Ritch D7/553.1
9,314,315 B2 * 4/2016 Wong A61C 3/04
D789,599 S * 6/2017 Kesselman D27/189
D822,281 S * 7/2018 Komai D28/61
D831,890 S * 10/2018 Von Drachenberg D28/83
D860,537 S * 9/2019 Nagata D28/73

* cited by examiner

Primary Examiner — Jennifer Rivard

Assistant Examiner — Alison M Ofstun

(74) *Attorney, Agent, or Firm* — Manabu Kanesaka

(57) **CLAIM**

The ornamental design for a tray, as shown and described.

DESCRIPTION

FIG. 1 is a perspective view of a tray showing my new design;

FIG. 2 is a front view thereof, a rear view being identical to the front view thereof;

FIG. 3 is a plan view thereof;

FIG. 4 is a bottom view thereof;

FIG. 5 is a left side view thereof;

FIG. 6 is a right side view thereof;

FIG. 7 is a cross-sectional view thereof along the line 7-7 in FIG. 2;

FIG. 8 is a cross-sectional view thereof along the line 8-8 in FIG. 2; and,

FIG. 9 is a cross-sectional view thereof along the line 9-9 in FIG. 6.

1 Claim, 1 Drawing Sheet

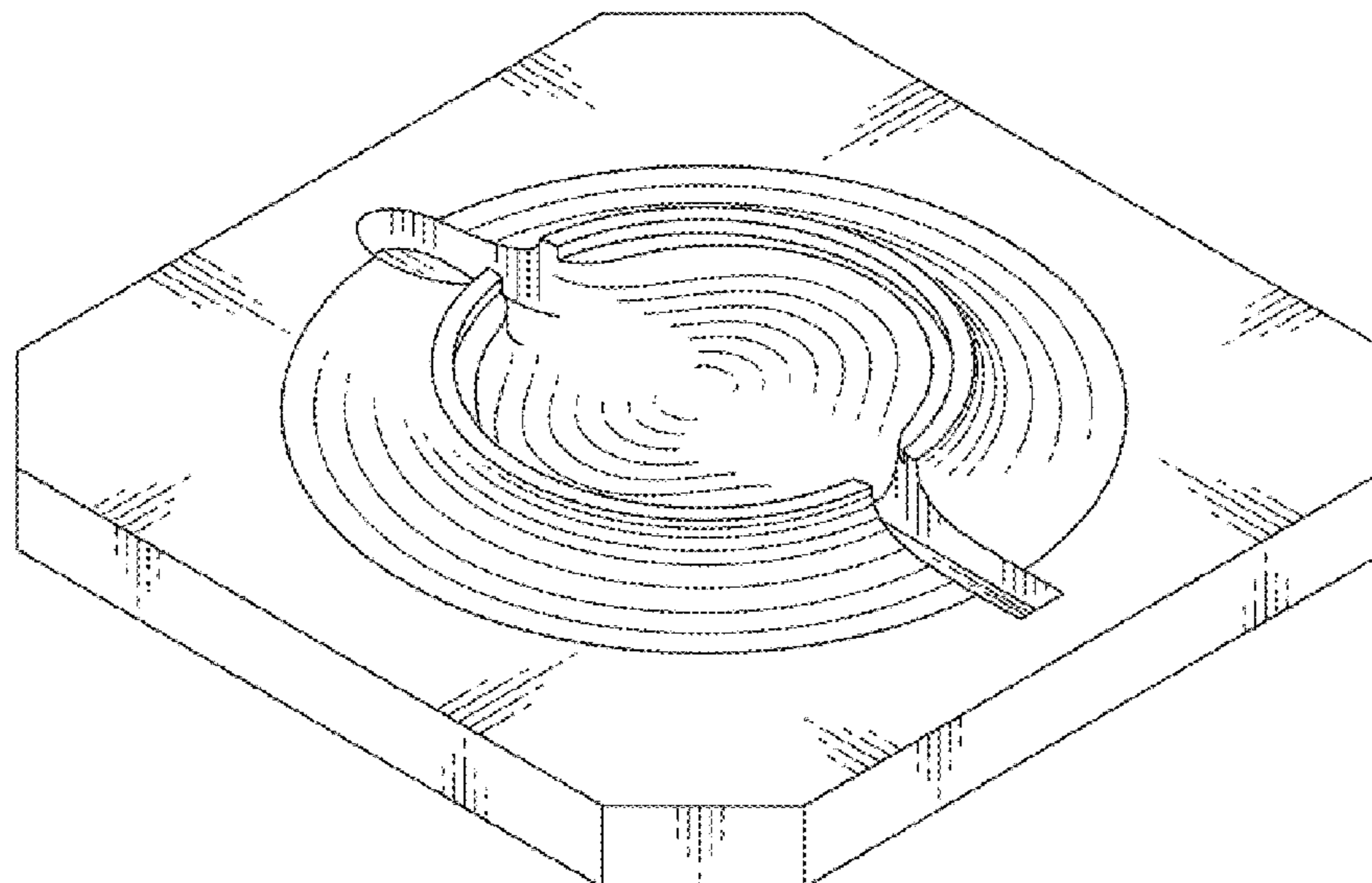


Fig.1

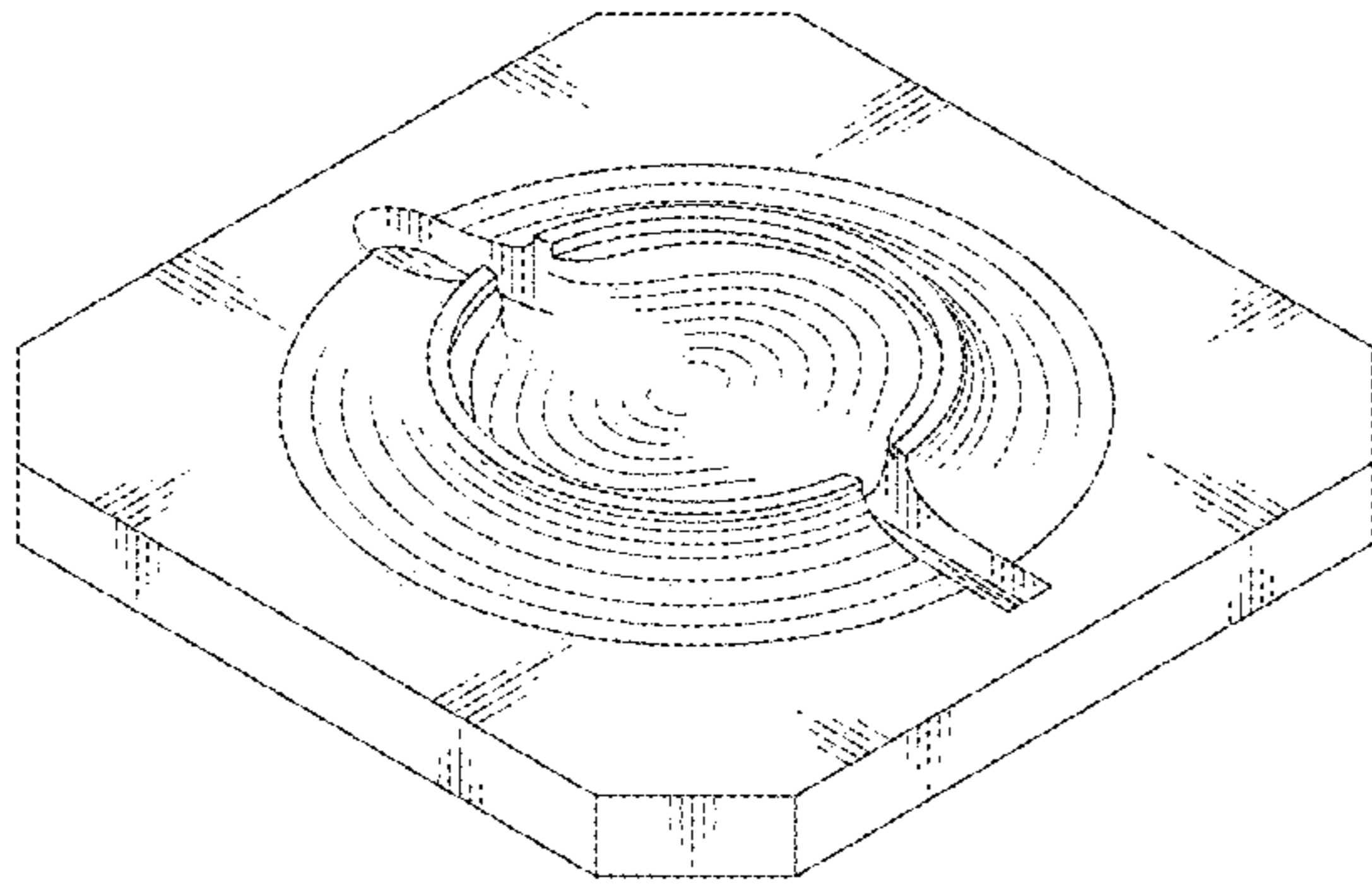


Fig.2

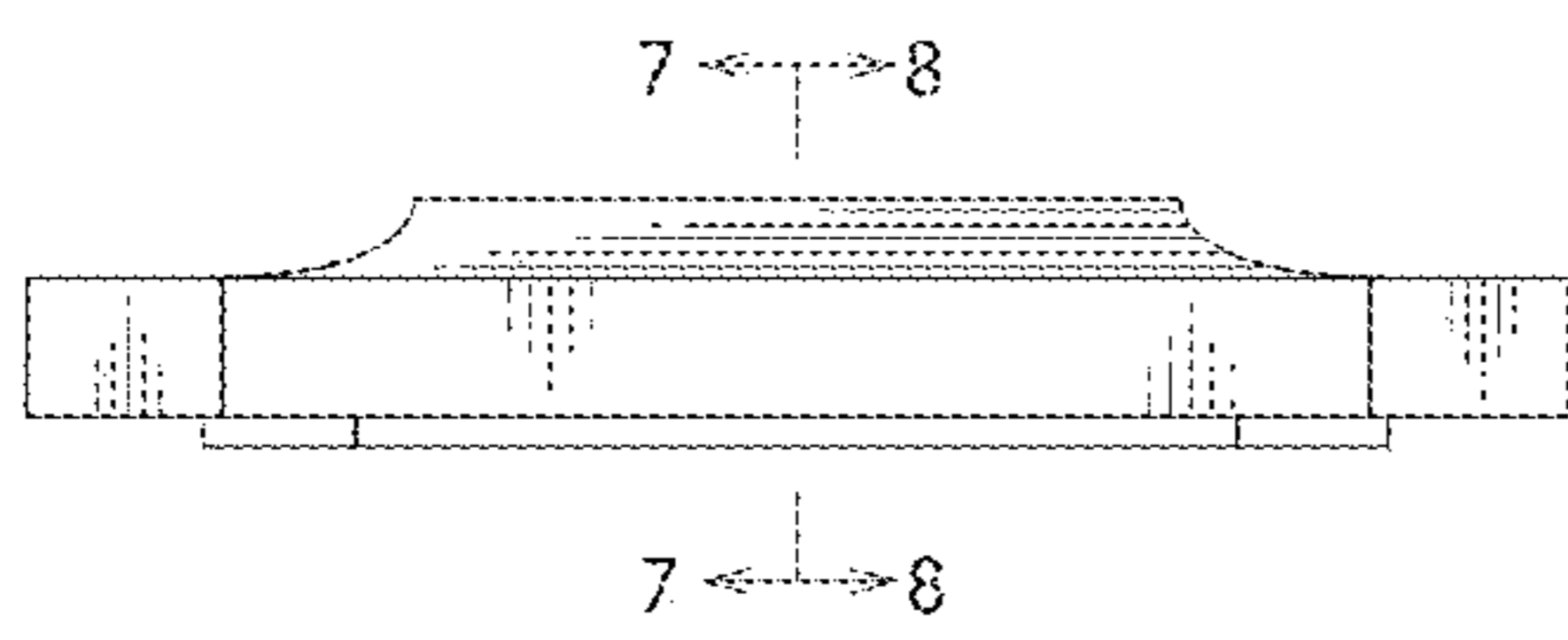


Fig.3

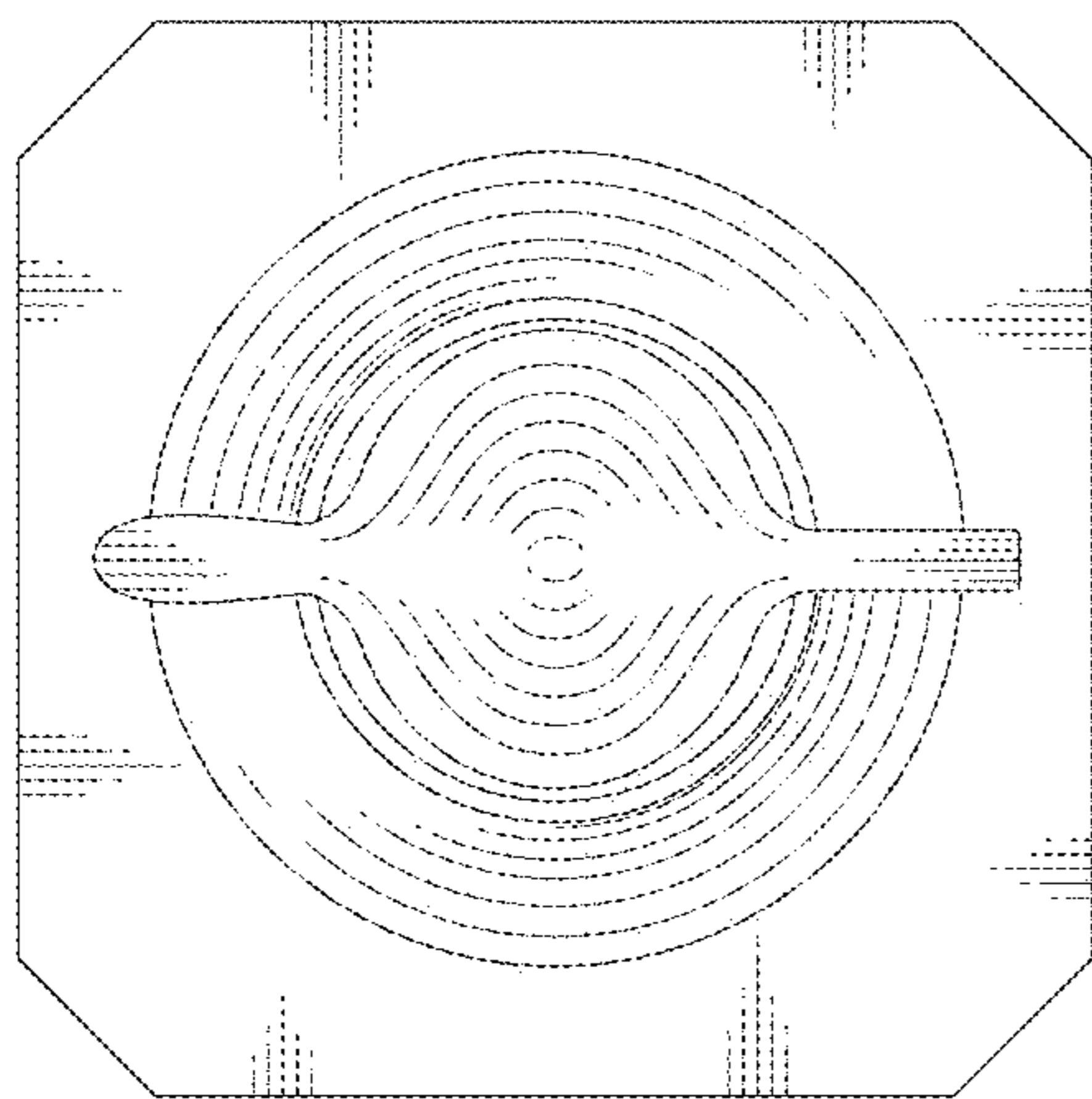


Fig.4

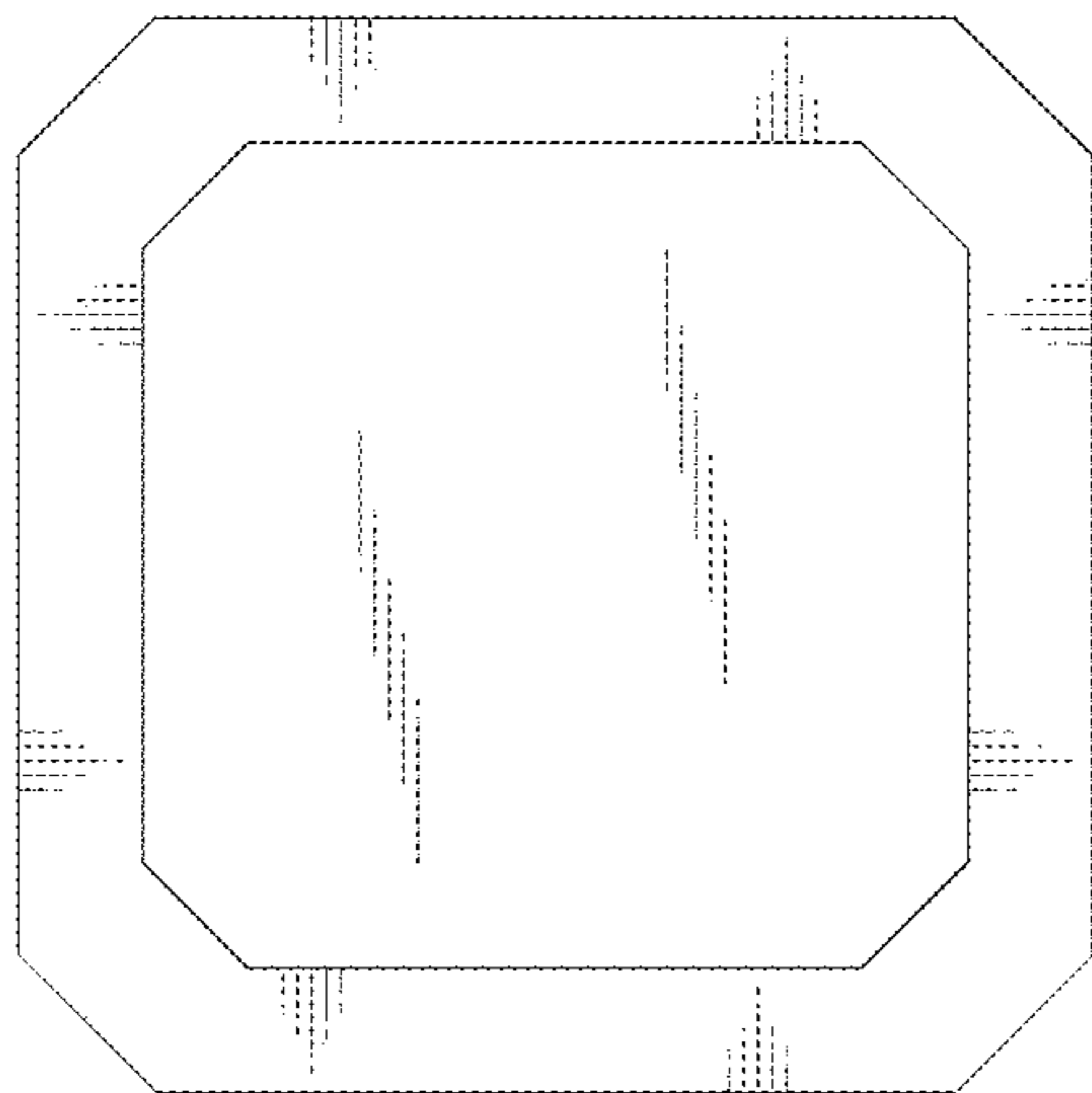


Fig.5

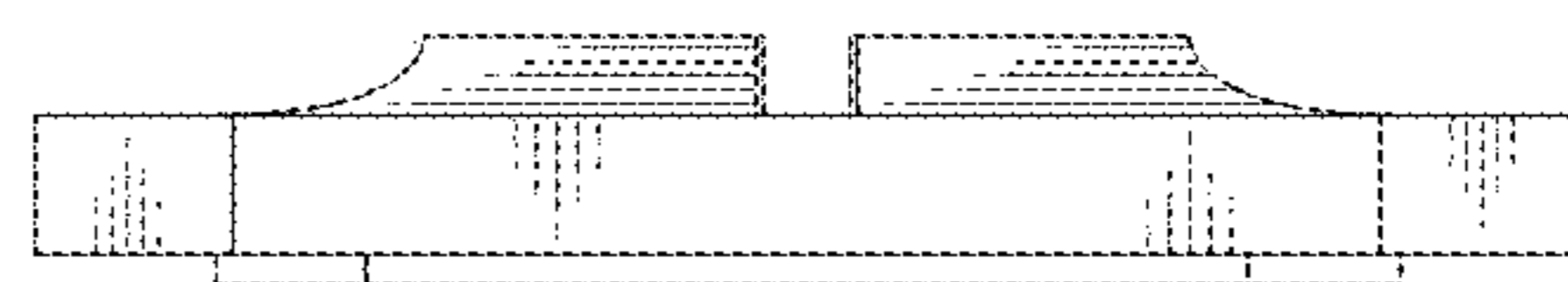


Fig.6

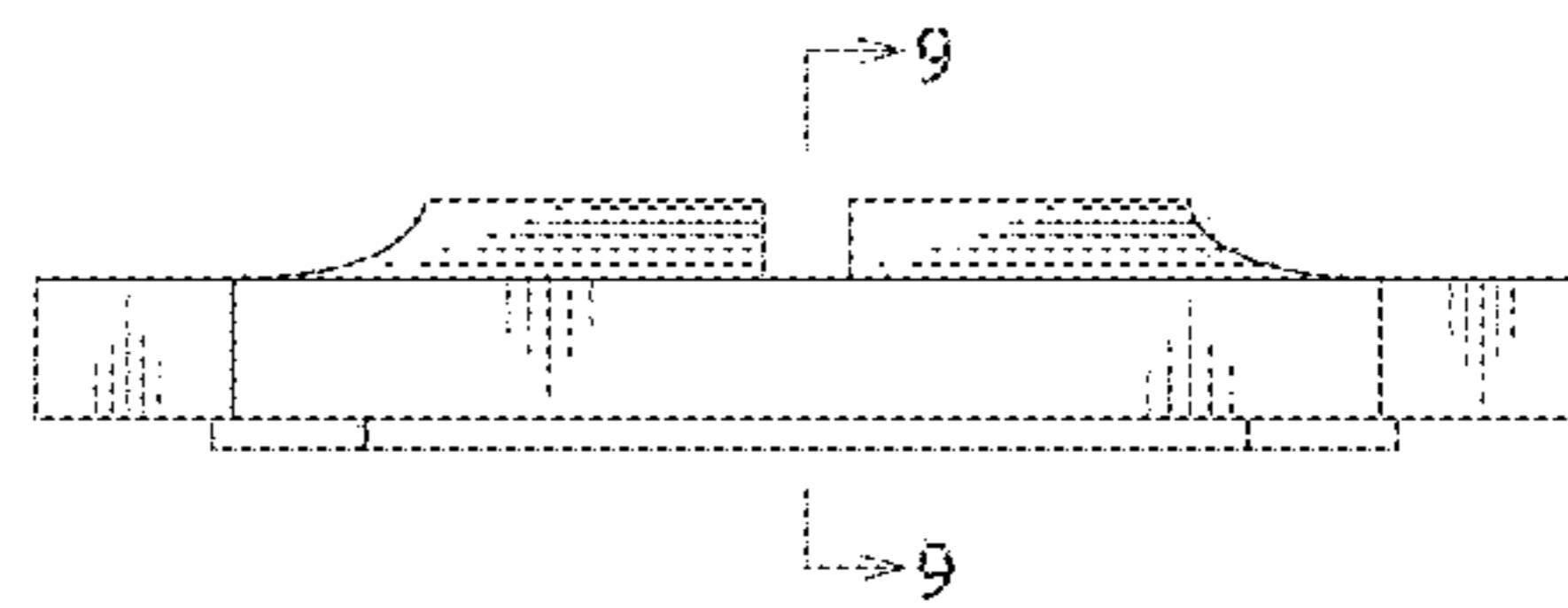


Fig.7

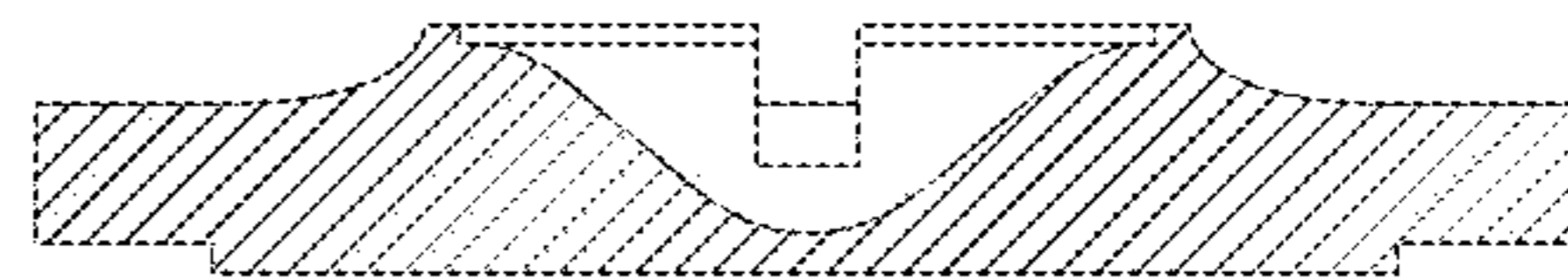


Fig.8

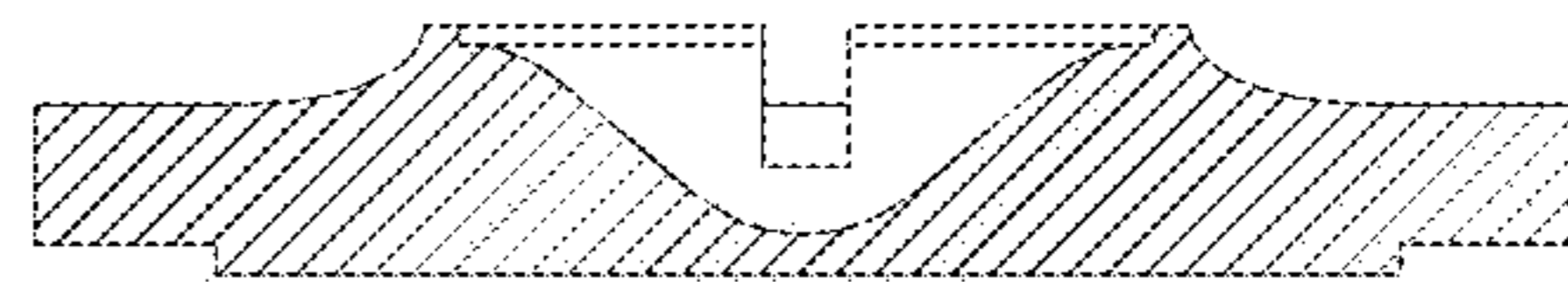


Fig.9

