



US00D882171S

(12) **United States Design Patent** (10) **Patent No.:** **US D882,171 S**
Peng (45) **Date of Patent:** **** Apr. 21, 2020**

(54) **HAIR STRAIGHTENER**
(71) Applicant: **Qian Peng**, Shenzhen (CN)
(72) Inventor: **Qian Peng**, Shenzhen (CN)
(73) Assignee: **ShenZhen Umickoo Technology company Limited**, ShenZhen (CN)
(**) Term: **15 Years**
(21) Appl. No.: **29/655,251**
(22) Filed: **Jul. 2, 2018**
(51) **LOC (12) Cl.** **28-03**
(52) **U.S. Cl.**
USPC **D28/35**
(58) **Field of Classification Search**
USPC D28/4, 9, 10, 11, 13, 35, 44.2; D6/542;
D24/216; D7/306, 309; D15/199
CPC B65H 51/22; D03J 33/00; A45D 2/00;
A45D 2/001; A45D 2/002; A45D 2/02;
A45D 2/04; A45D 2/06; A45D 2/08;
A45D 2/10; A45D 2/12-22; A45D
2/24-34; A45D 2/36-367; A45D 1/00;
A45D 1/04; A45D 4/00
See application file for complete search history.

(56) **References Cited**
U.S. PATENT DOCUMENTS
D596,794 S * 7/2009 Keong D28/35
D672,089 S * 12/2012 Julemont D28/35
D780,374 S * 2/2017 Yu D28/35
D816,902 S * 5/2018 Delassus D28/35
D837,448 S * 1/2019 Maochang D28/35
D838,907 S * 1/2019 Bates D28/35
2012/0055502 A1 * 3/2012 Wright A45D 1/04
132/226
2012/0097182 A1 * 4/2012 Wright A45D 1/04
132/223
2012/0291797 A1 * 11/2012 deGroot A45D 1/28
132/211
2016/0255936 A1 * 9/2016 deGroot A45D 2/001

2016/0271646 A1 * 9/2016 deGroot A45D 1/06
2017/0164707 A1 * 6/2017 Cowdry H05B 3/06
2018/0014618 A1 * 1/2018 Ohgi A45D 1/04
2018/0042352 A1 * 2/2018 deGroot A45D 1/04
2018/0064226 A1 * 3/2018 Richmond A45D 1/06
2018/0338595 A1 * 11/2018 Jones A45D 6/00

OTHER PUBLICATIONS

Hair Straightener, Flat Iron for Hair Styling, YORMICK, reviewed on Mar. 11, 2019 on amazon.com, retrieved on May 8, 2019, retrieved from the Internet URL: https://www.amazon.com/Hair-Straightener-YORMICK-Flat-Styling/dp/B07QVC13J4/ref=sxbs_sxwds-stvp?crid=HF8NP343AR7D&keywords=hair+straightener&pd_rd_i=B07QVC13J4&pd.*
Hair Straightener, Flat Iron for Hair Styling, UMICKOO, reviewed on Apr. 19, 2019, retrieved on May 8, 2019, retrieved from the Internet URL: https://www.amazon.com/Straightener-UMICKOO-Professional-Straightens-Adjustable/dp/B07PQDMQYG/ref=cm_cr_ar_p_d_product_top?ie=UTF8.*

* cited by examiner

Primary Examiner — Jennifer Rivard
Assistant Examiner — Alison M Ofstun

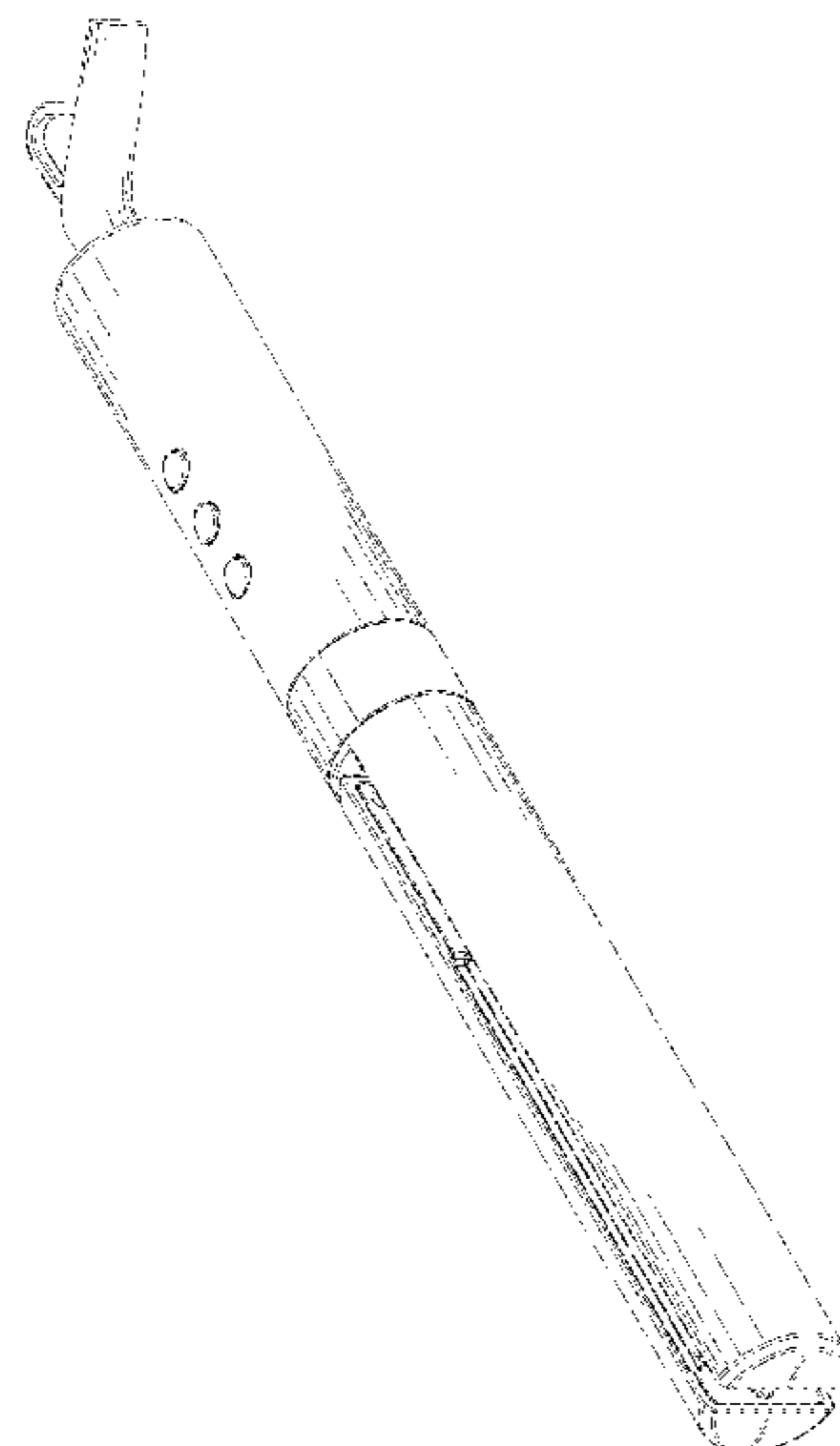
(57) **CLAIM**

The ornamental design for a hair straightener, as shown and described.

DESCRIPTION

FIG. 1 is a front perspective view of a hair straightener showing my new design;
FIG. 2 is a front elevational view thereof;
FIG. 3 is a rear elevational view thereof;
FIG. 4 is a left side elevational view thereof;
FIG. 5 is a right side elevational view thereof;
FIG. 6 is a top plan view thereof;
FIG. 7 is a bottom plan view thereof; and,
FIG. 8 is another perspective view thereof, shown in an alternate position of use.

1 Claim, 7 Drawing Sheets



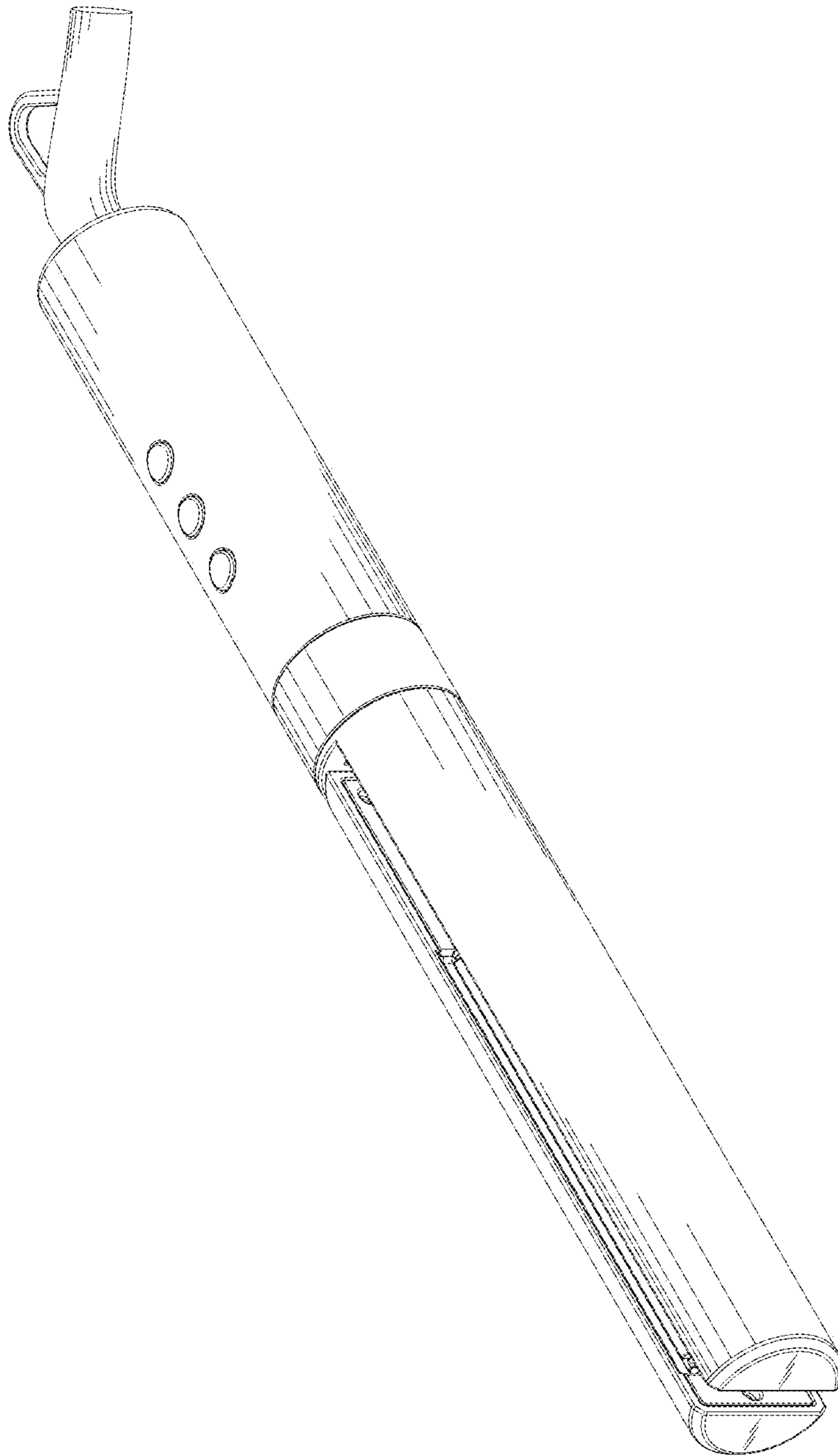


FIG. 1

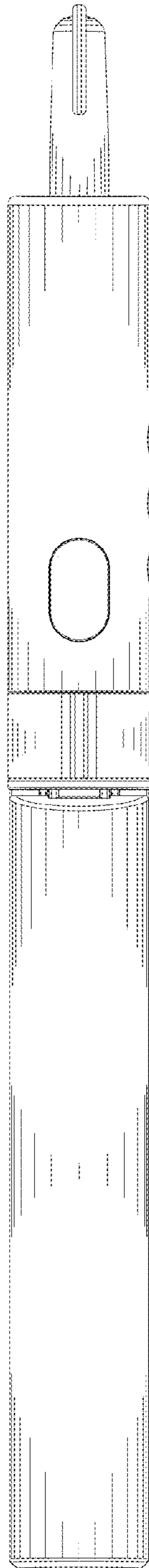


FIG.2

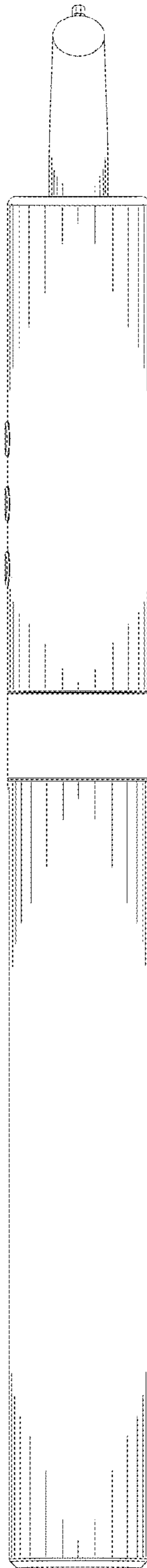


FIG. 3

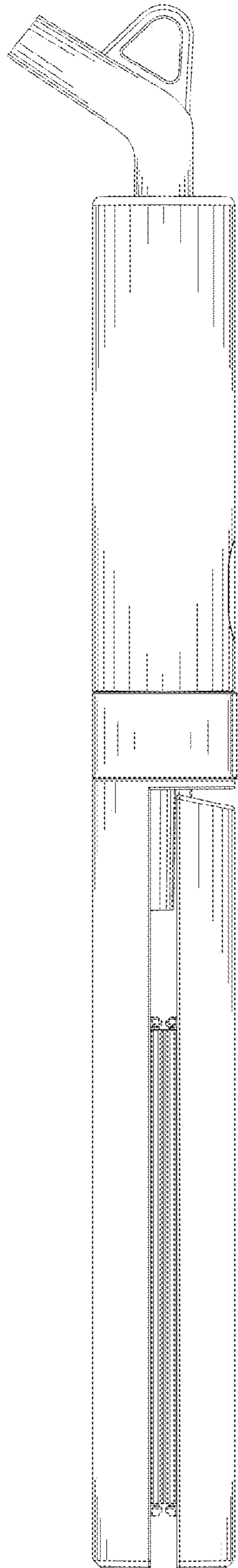


FIG.4

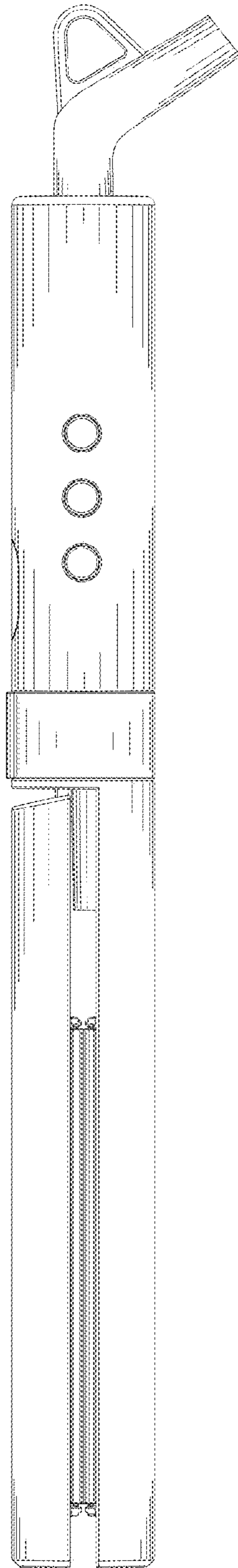


FIG.5

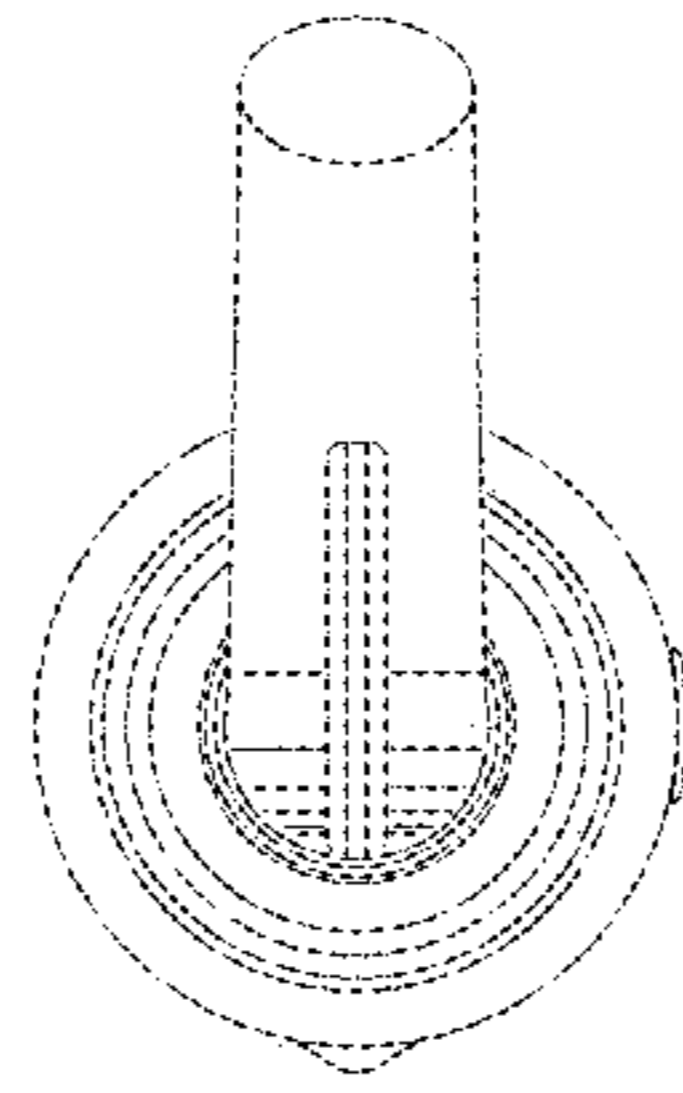


FIG. 6

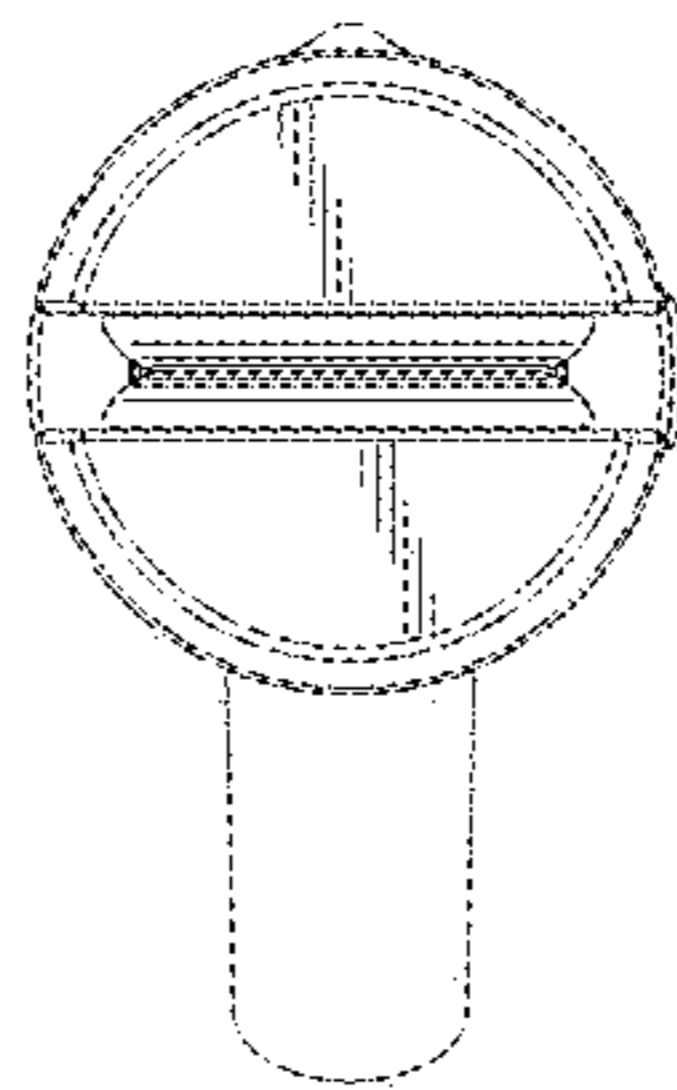


FIG. 7

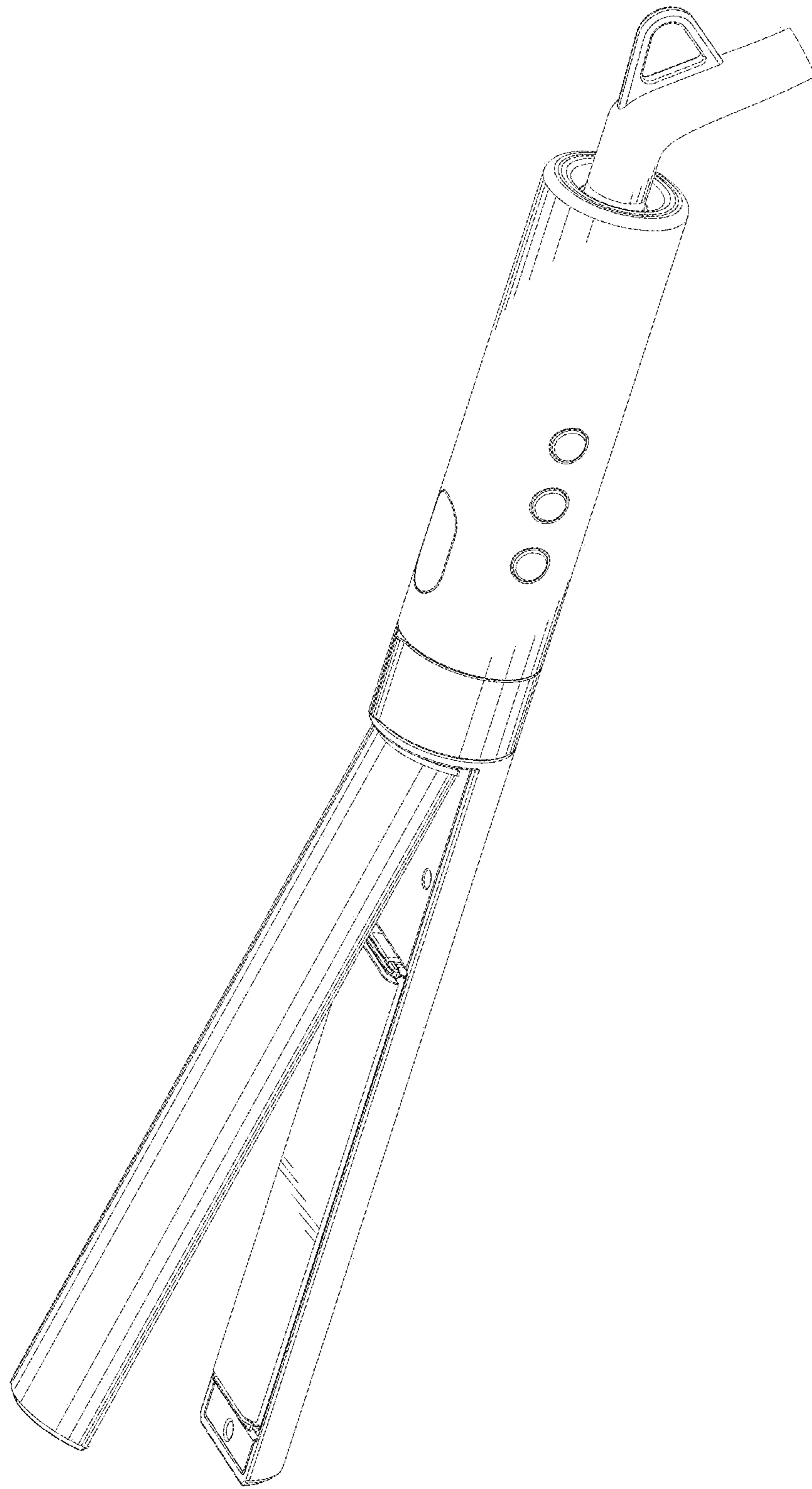


FIG.8