



US00D882170S

(12) **United States Design Patent**
Smith et al.

(10) **Patent No.:** **US D882,170 S**
(45) **Date of Patent:** **** Apr. 21, 2020**

(54) **HIGHLIGHTING DEVICE**

(71) Applicant: **Madison Reed, Inc.**, San Francisco, CA (US)

(72) Inventors: **Chelsea Leigh Smith**, San Francisco, CA (US); **David Ross**, San Francisco, CA (US)

(73) Assignee: **Madison Reed, Inc.**, San Francisco, CA (US)

(**) Term: **15 Years**

(21) Appl. No.: **29/701,333**

(22) Filed: **Aug. 9, 2019**

Related U.S. Application Data

(63) Continuation of application No. 29/636,918, filed on Feb. 12, 2018, now Pat. No. Des. 863,680.

(51) **LOC (12) Cl.** **28-03**

(52) **U.S. Cl.**
USPC **D28/20**

(58) **Field of Classification Search**
USPC D28/7, 8, 20–22, 30–31, 66, 68, 99
CPC A45B 15/04; A45D 20/00; A61F 4/00
See application file for complete search history.

(56) **References Cited**

U.S. PATENT DOCUMENTS

- 4,828,418 A * 5/1989 Sauer A61F 4/00
173/30
- D470,270 S 2/2003 Tashjian et al.
- 6,637,962 B1 * 10/2003 Roche B43K 5/005
16/430
- D536,826 S 2/2007 Gruzelier et al.

- D574,156 S 8/2008 Davis et al.
- D734,556 S * 7/2015 Brett D24/181
- D817,545 S * 5/2018 Castellano D28/7
- D833,066 S 11/2018 Cooney
- D835,339 S 12/2018 Briscolini

* cited by examiner

Primary Examiner — Zenia I Bennett

(74) *Attorney, Agent, or Firm* — Fenwick & West LLP

(57) **CLAIM**

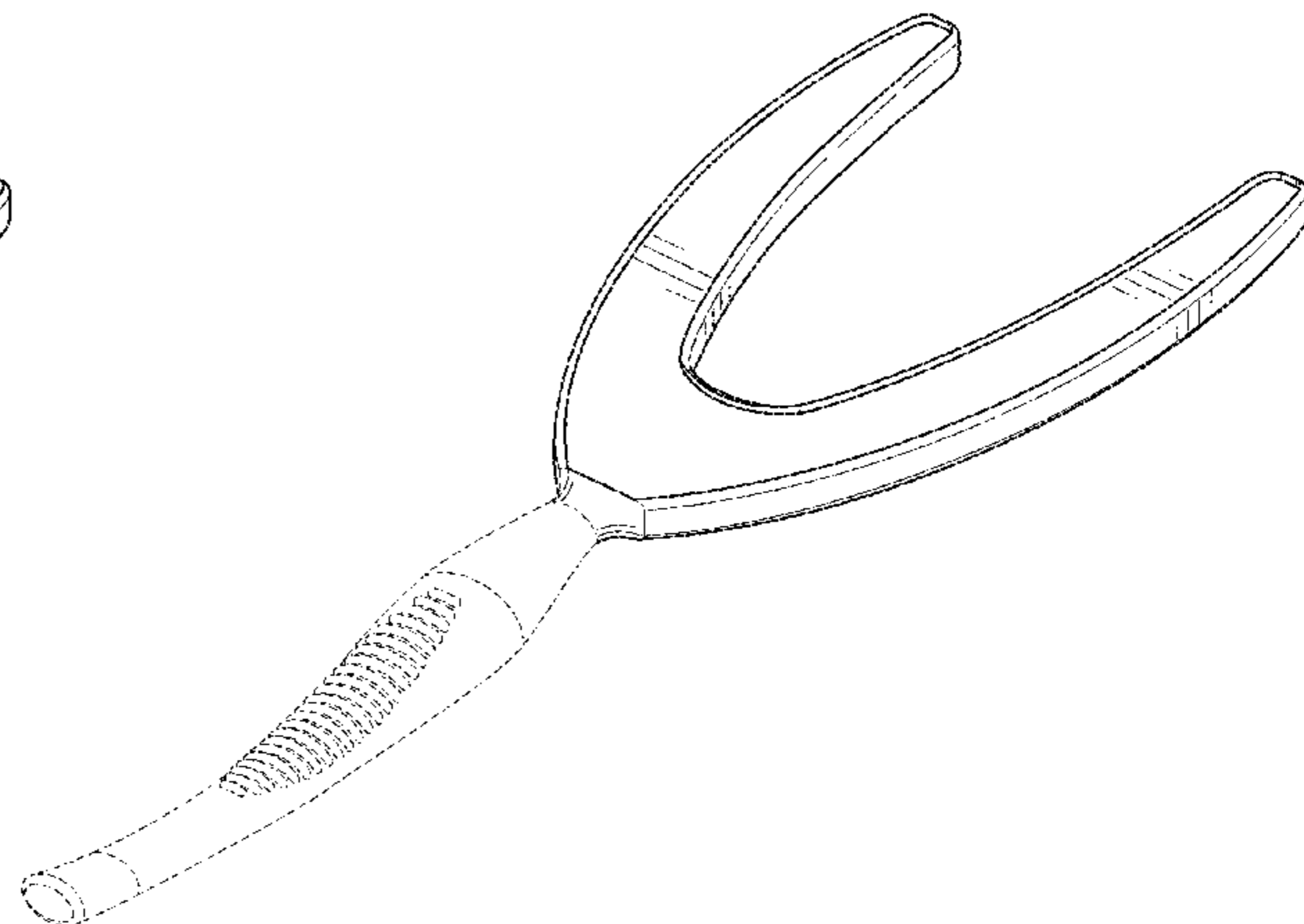
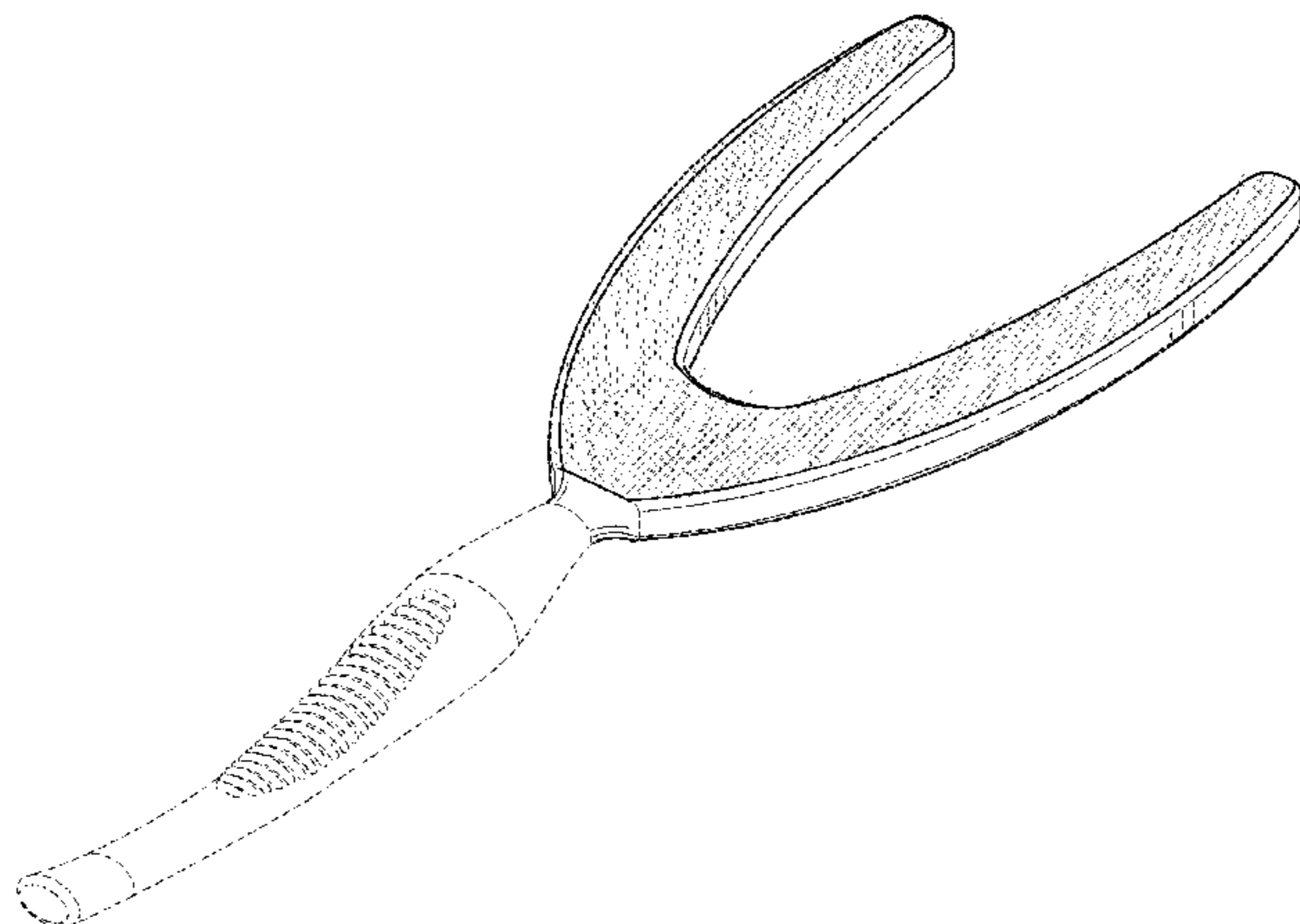
The ornamental design for a highlighting device, as shown and described.

DESCRIPTION

FIG. 1 is a front and right perspective view of a first embodiment of a highlighting device;
 FIG. 2 is a front view thereof;
 FIG. 3 is a rear view thereof;
 FIG. 4 is a left view thereof;
 FIG. 5 is a right view thereof;
 FIG. 6 is a top view thereof;
 FIG. 7 is a bottom view thereof;
 FIG. 8 is a front and right perspective view of a second embodiment of a highlighting device;
 FIG. 9 is a front view thereof;
 FIG. 10 is a rear view thereof;
 FIG. 11 is a left view thereof;
 FIG. 12 is a right view thereof;
 FIG. 13 is a top view thereof; and,
 FIG. 14 is a bottom view thereof.

The broken lines in the drawings illustrate portions of the highlighting device that form no part of the claimed design.

1 Claim, 14 Drawing Sheets



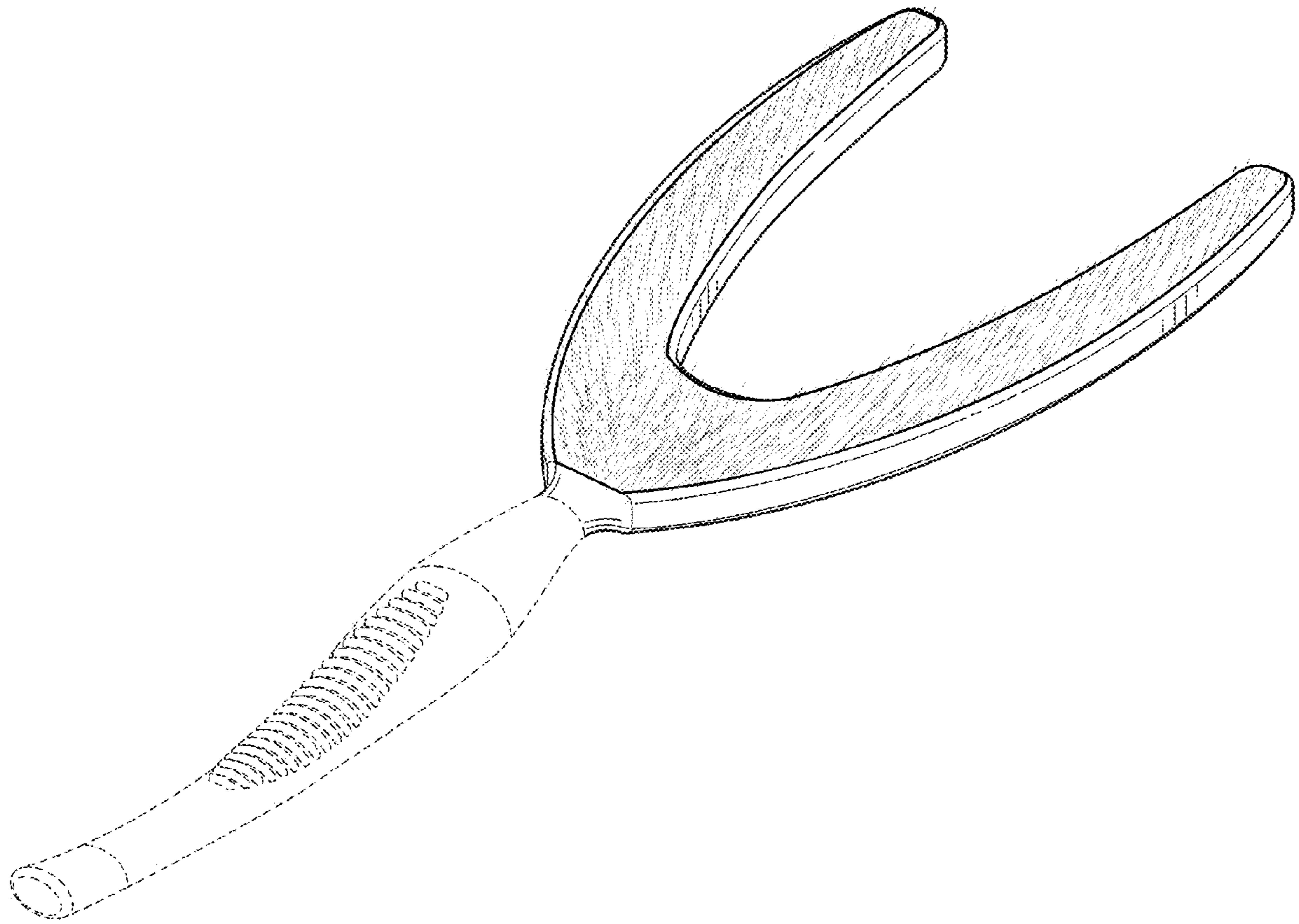


FIG. 1

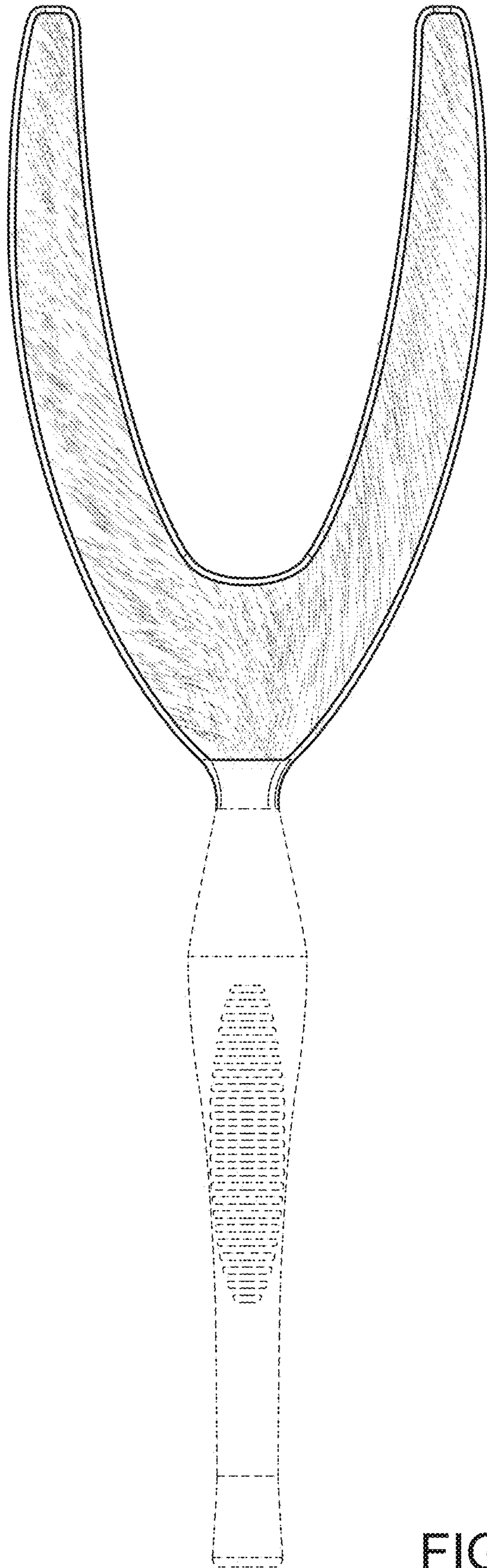


FIG. 2

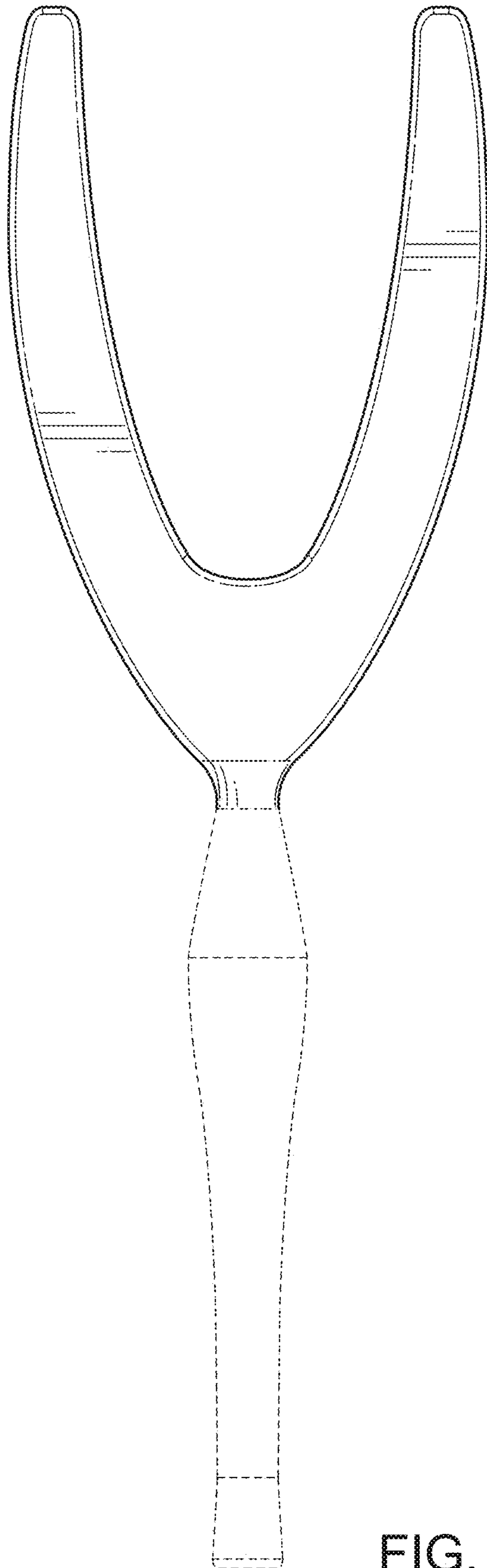


FIG. 3

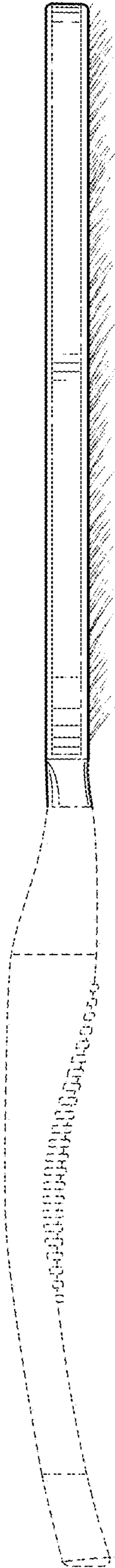


FIG. 4

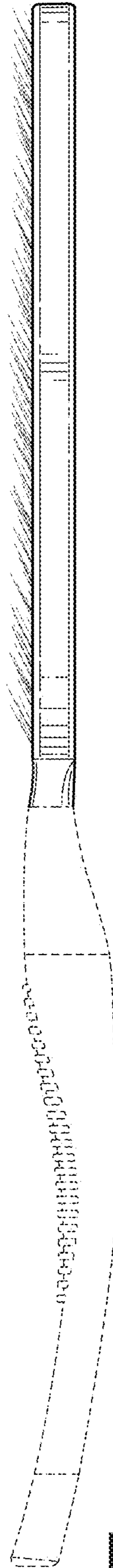


FIG. 5

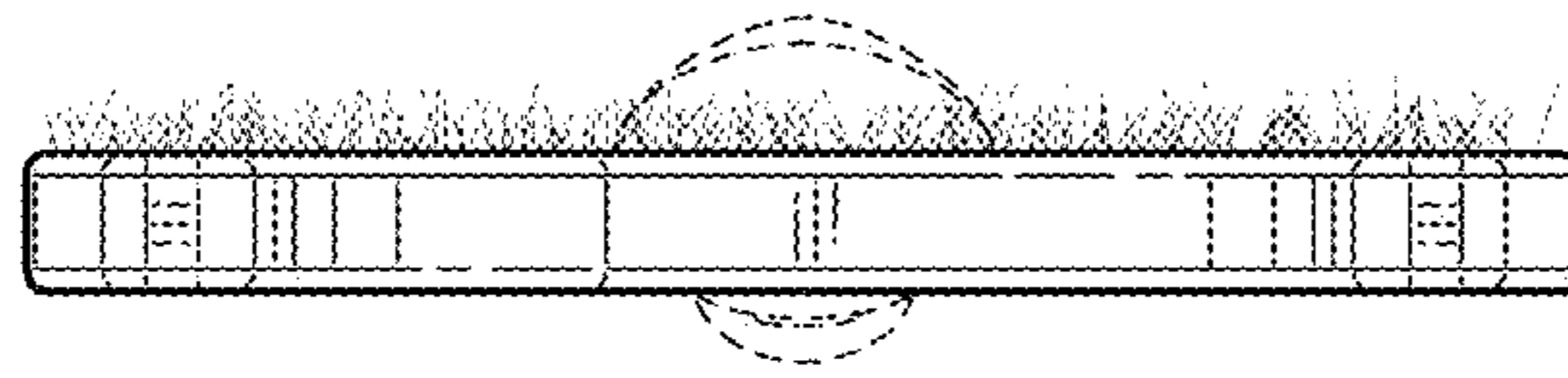


FIG. 6

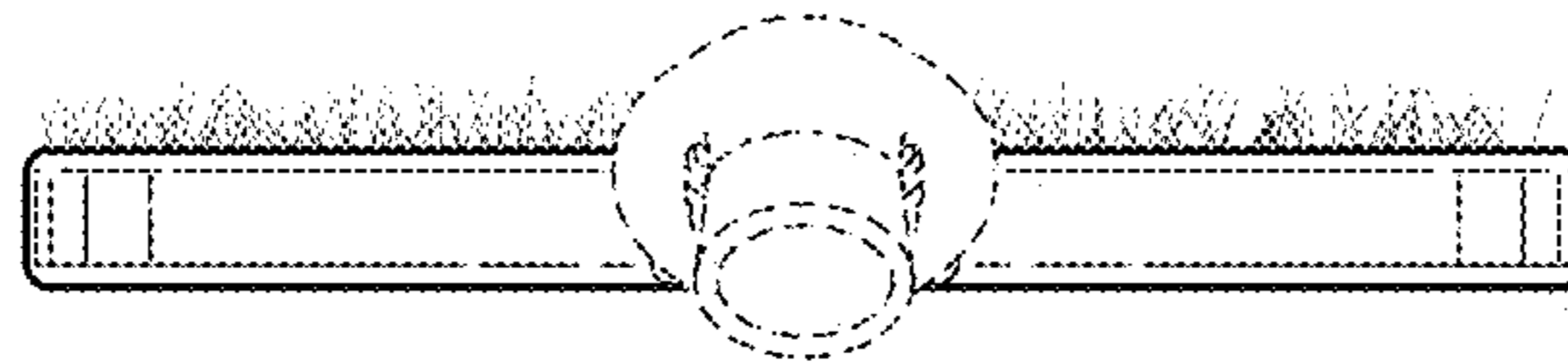


FIG. 7

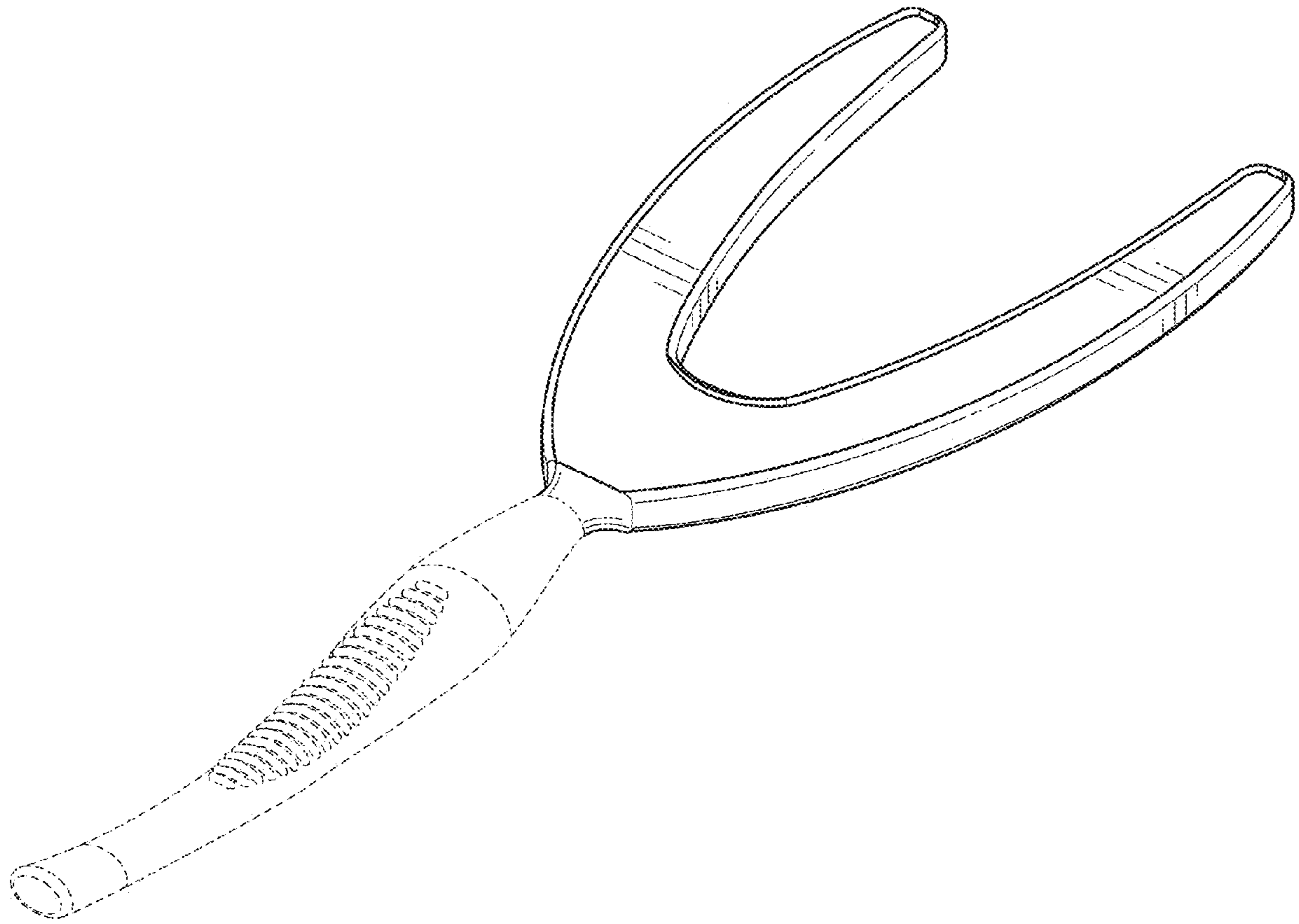


FIG. 8

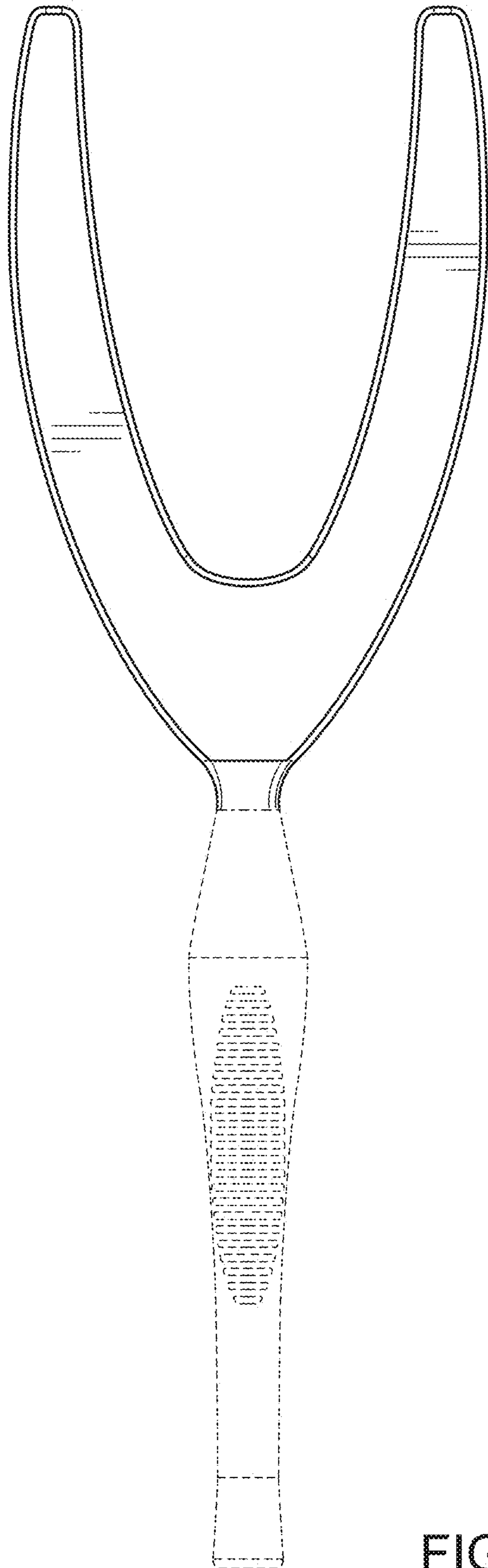


FIG. 9

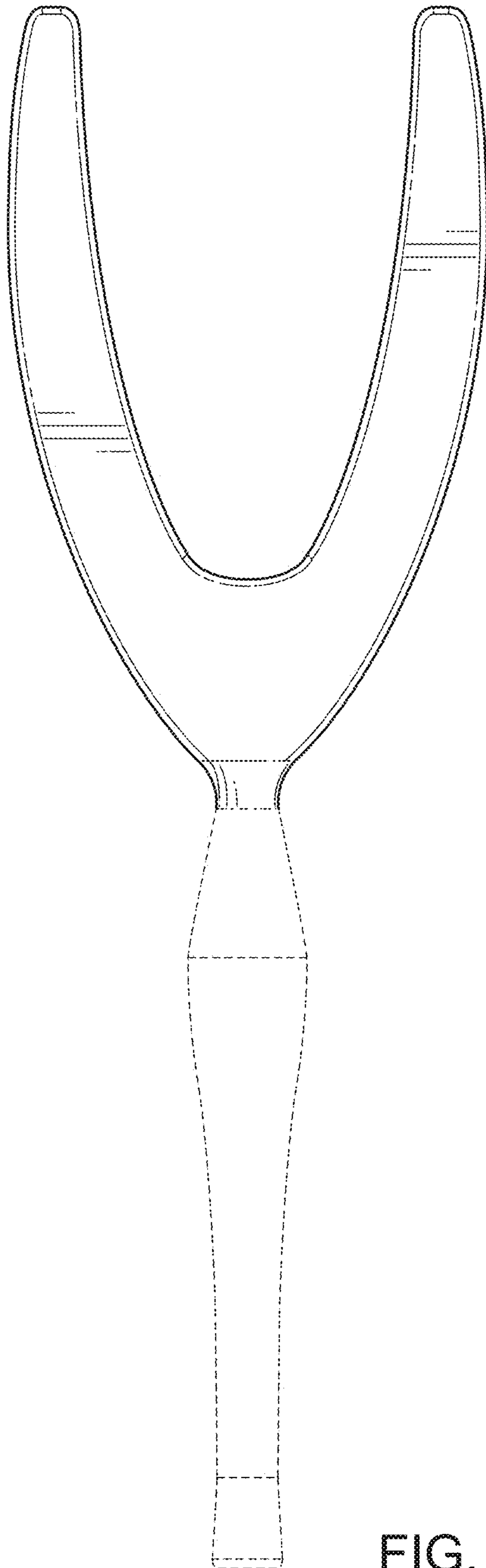


FIG. 10

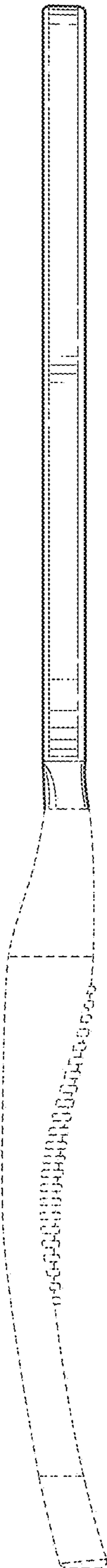


FIG. 11

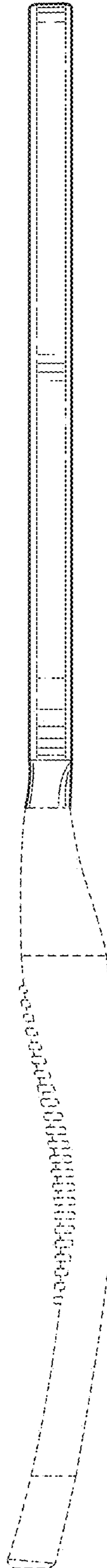


FIG. 12

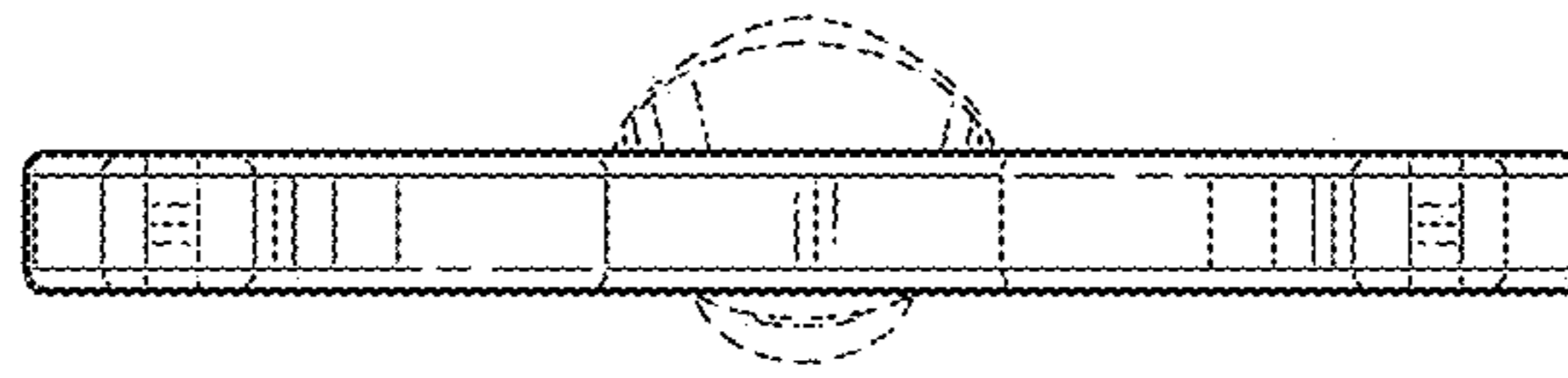


FIG. 13

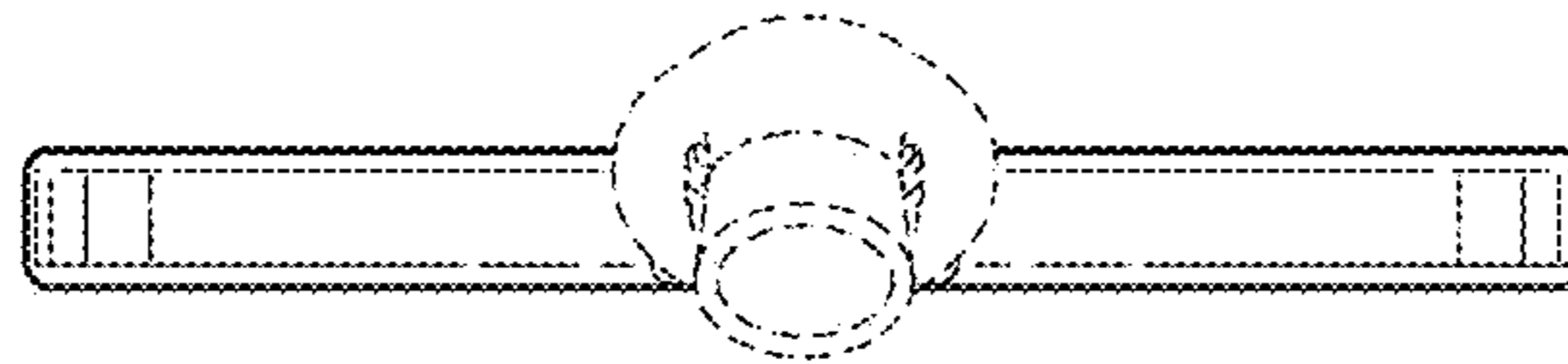


FIG. 14