



US00D882168S

(12) **United States Design Patent** (10) **Patent No.:** **US D882,168 S**
Edwards et al. (45) **Date of Patent:** **** Apr. 21, 2020**

(54) **APPLICATOR FOR A SKIN CARE COMPOSITION**

(71) Applicant: **The Procter & Gamble Company**, Cincinnati, OH (US)

(72) Inventors: **Jeffrey David Edwards**, Perth (AU); **Giovanni Ciampa**, Ryde (AU)

(73) Assignee: **The Procter & Gamble Company**, Cincinnati, OH (US)

(**) Term: **15 Years**

(21) Appl. No.: **29/628,886**

(22) Filed: **Dec. 8, 2017**

(30) **Foreign Application Priority Data**

Jun. 8, 2017 (WO) 3660801

(51) **LOC (12) Cl.** **28-02**

(52) **U.S. Cl.**
USPC **D28/7**

(58) **Field of Classification Search**
USPC D28/7, 9, 8, 17, 63, 64.7; D8/301, 300, D8/306, 310, 313; D4/111, 116-118, D4/127, 128, 137, 138; 16/414
CPC A46B 2200/1046; A46B 2200/1053; A46B 2200/106; A47K 7/00
See application file for complete search history.

(56) **References Cited**

U.S. PATENT DOCUMENTS

- D454,049 S * 3/2002 LaPlume D8/301
- D479,336 S * 9/2003 La Bianco D24/215
- D503,082 S * 3/2005 Denoual D8/301
- D533,962 S * 12/2006 Angeletta D28/7
- D543,087 S * 5/2007 Soriano D8/310
- D550,534 S * 9/2007 Jou D8/305
- D565,385 S * 4/2008 Jou D8/307
- D592,484 S * 5/2009 Ricereto D8/307

- D695,400 S * 12/2013 Sadot D24/133
- D709,646 S * 7/2014 Celia D28/7
- D710,538 S * 8/2014 Achnert D28/7
- D772,686 S * 11/2016 Zimmer D8/310
- D792,188 S * 7/2017 Zimmer D8/310
- D795,593 S * 8/2017 Huang D4/127
- D808,581 S * 1/2018 Weinrich D28/7
- D816,898 S * 5/2018 Shavit D28/7
- D824,587 S * 7/2018 Dutton D28/7
- D825,846 S * 8/2018 Bailey D28/7
- D827,926 S * 9/2018 Stark D28/7
- D828,954 S * 9/2018 Shavit D28/7
- D843,732 S * 3/2019 Kling D4/127
- D844,408 S * 4/2019 Lu D8/301

(Continued)

OTHER PUBLICATIONS

<https://www.lowes.com/pd/Gatehouse-Baron-Satin-Nickel-Passage-Door-Knob/1000233095> (Dec. 3, 2019).*

Primary Examiner — Marissa J Cash

Assistant Examiner — Rebecca Tsehaye

(74) *Attorney, Agent, or Firm* — John G. Powell

(57) **CLAIM**

The ornamental design for an applicator for a skin care composition, as shown and described.

DESCRIPTION

FIG. 1 is a perspective view of applicator for a skin care composition showing our new design.

FIG. 2 is a front view thereof;

FIG. 3 is a left view thereof;

FIG. 4 is a back view thereof;

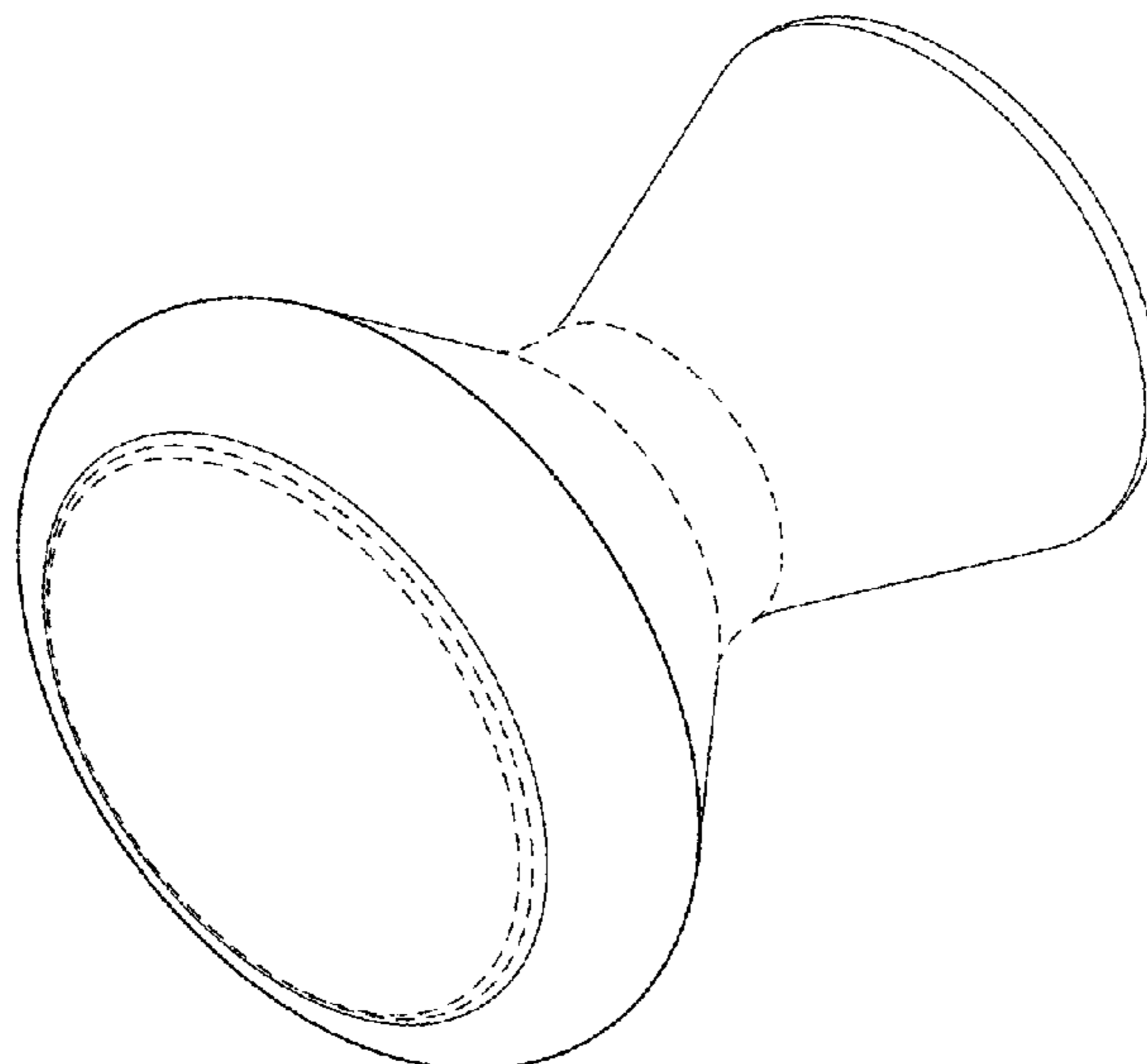
FIG. 5 is a right view thereof;

FIG. 6 is a top view thereof; and,

FIG. 7 is a bottom view thereof.

The broken lines are for illustrating portions of the applicator for a skin care composition that forms no part of the claim.

1 Claim, 2 Drawing Sheets



(56)

References Cited

U.S. PATENT DOCUMENTS

D851,477 S * 6/2019 Millet D8/310
2018/0264245 A1 * 9/2018 Edwards A61Q 19/08

* cited by examiner

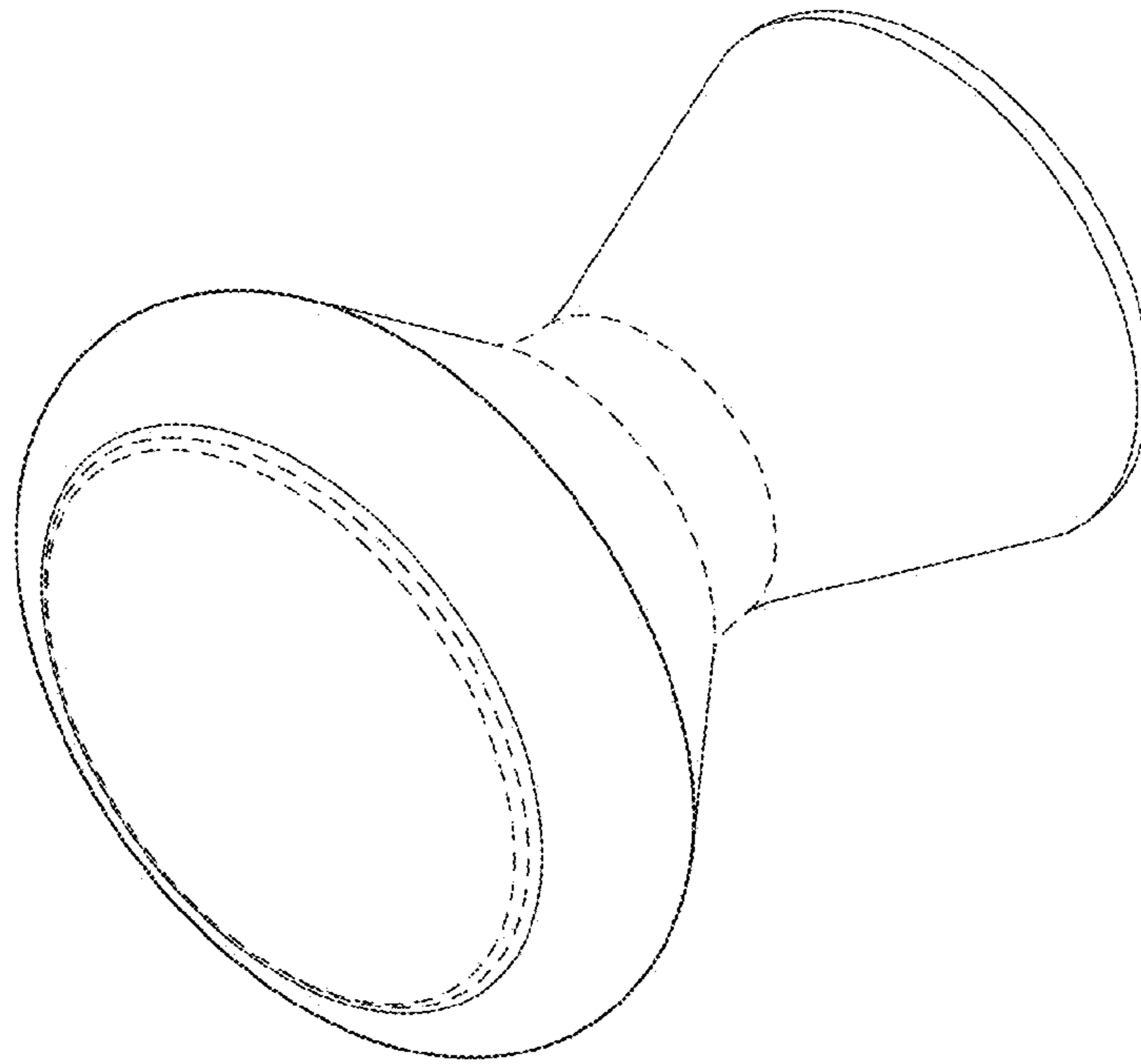


FIG. 1

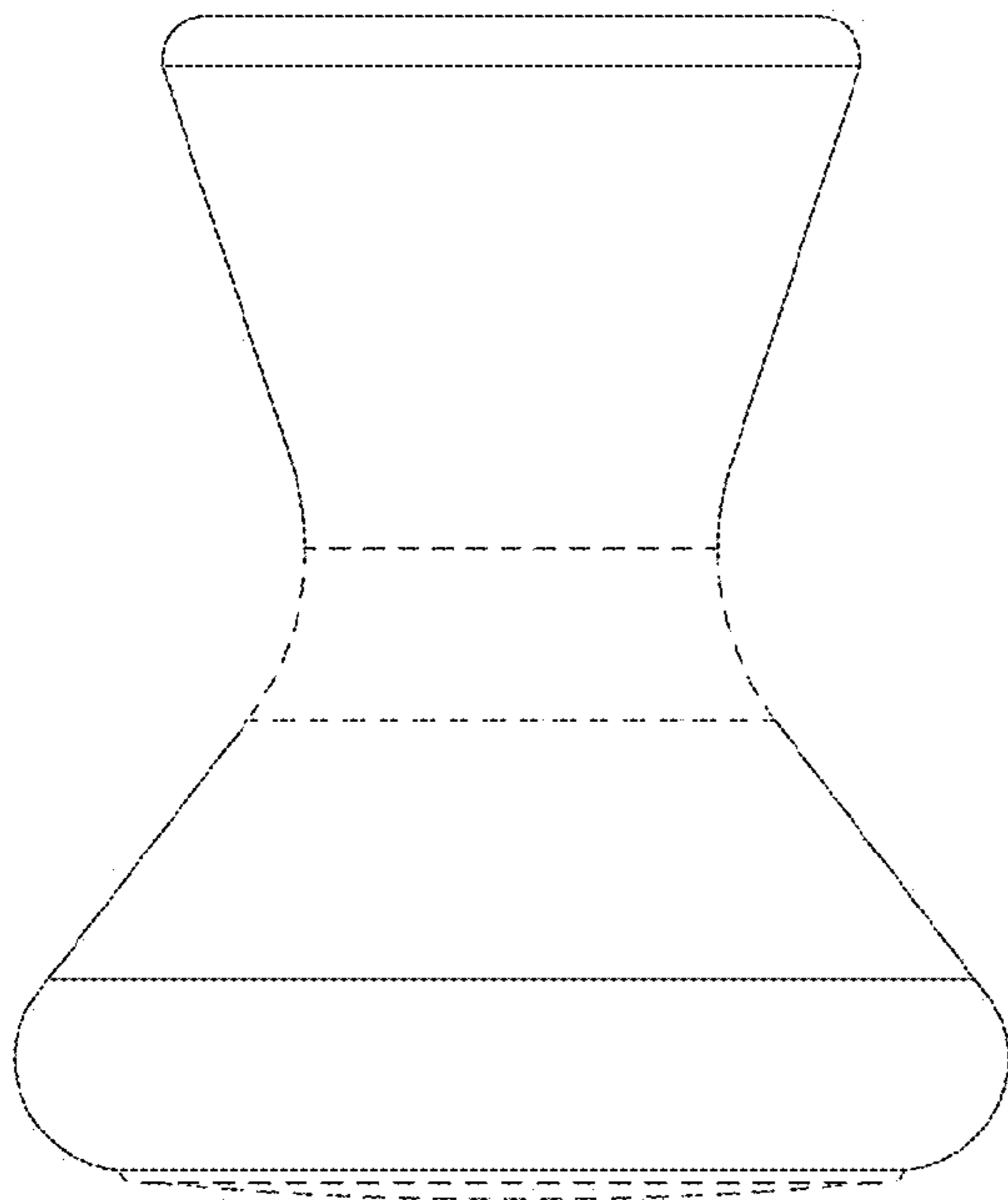


FIG. 2

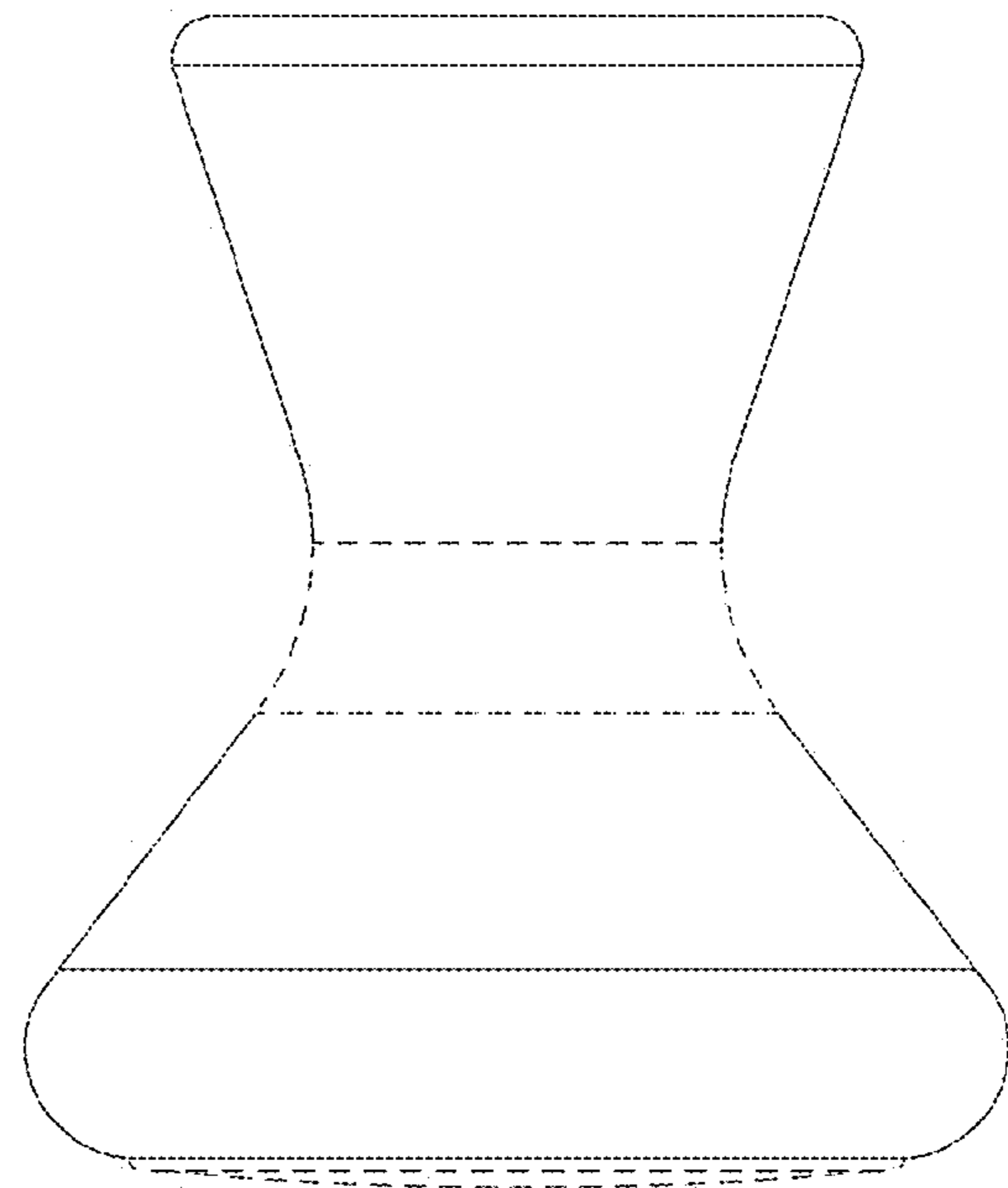


FIG. 3

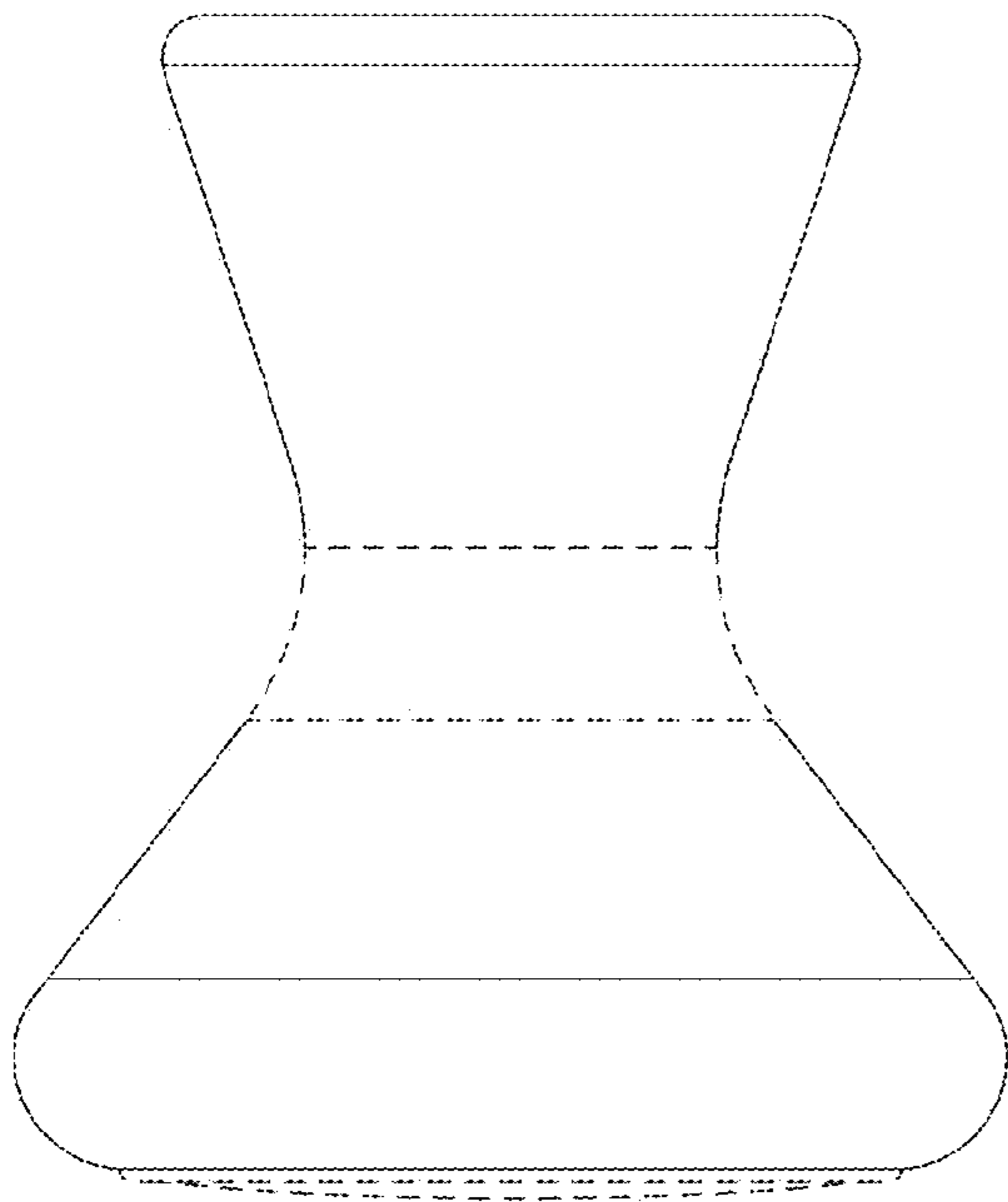


FIG. 4

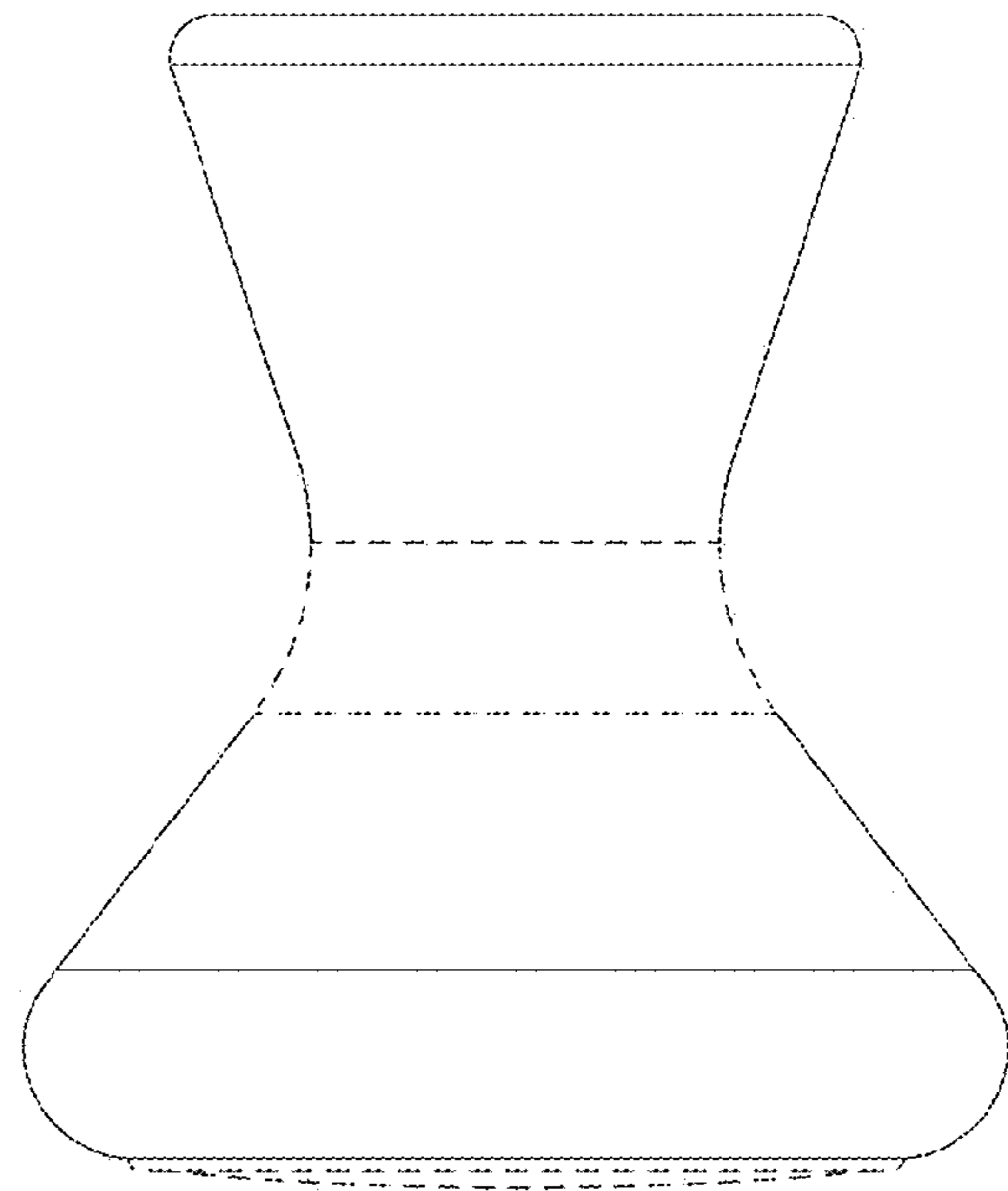


FIG. 5

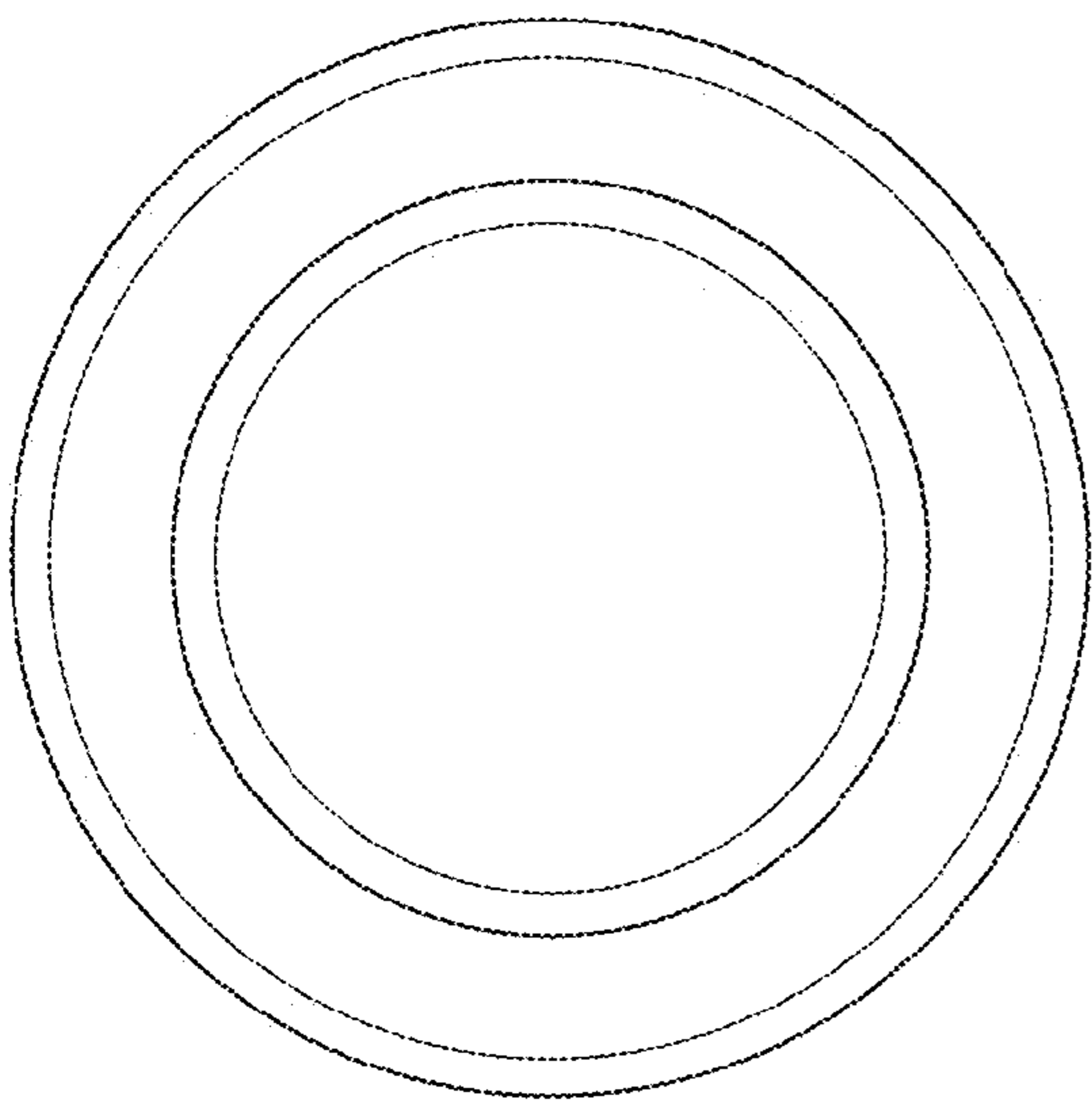


FIG. 6

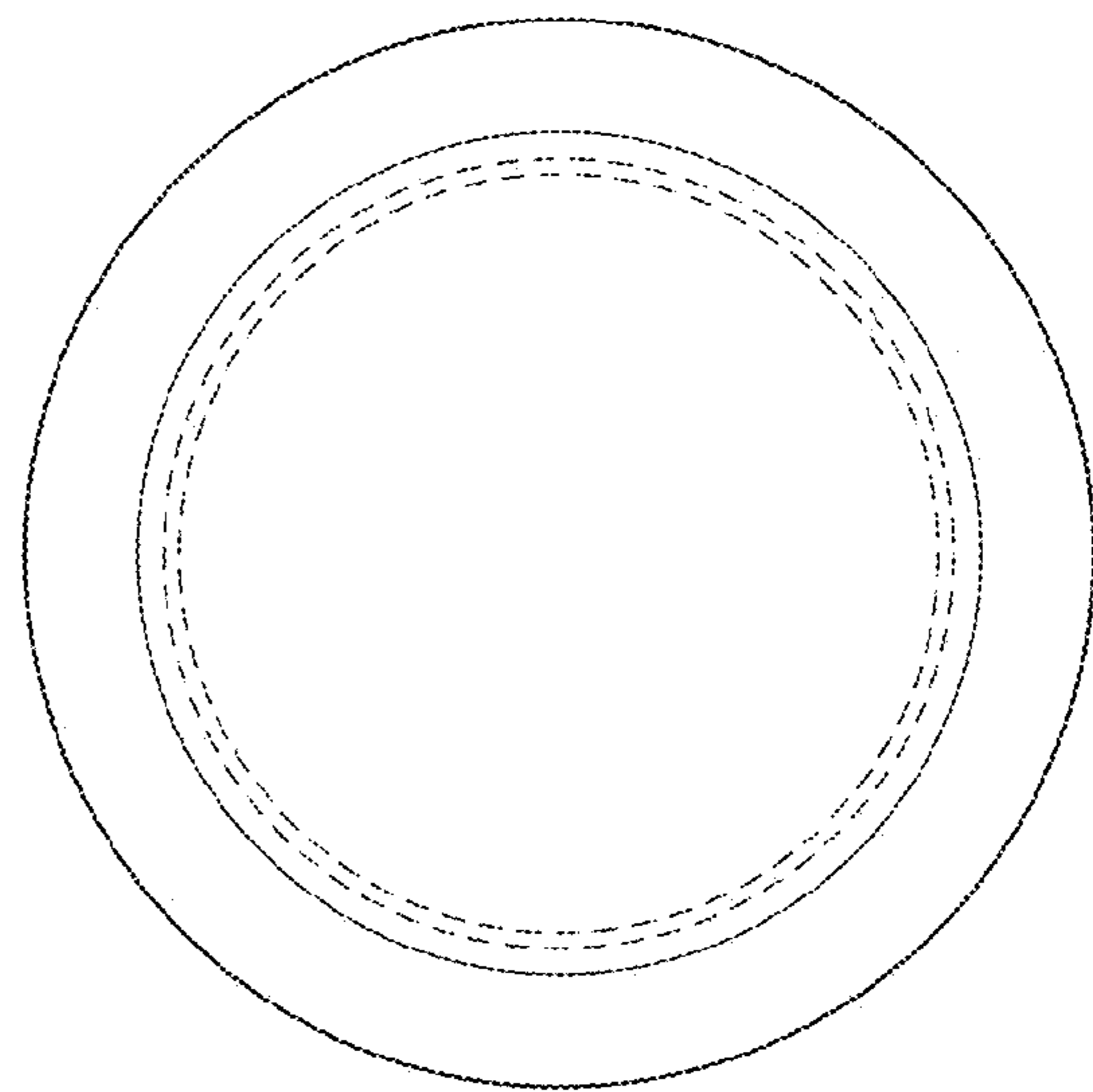


FIG. 7