



US00D882165S

(12) **United States Design Patent**  
**Ouyang**

(10) **Patent No.:** **US D882,165 S**  
(45) **Date of Patent:** **\*\* Apr. 21, 2020**

- (54) **ELECTRONIC CIGARETTE**
- (71) Applicant: **SHENZHEN IVPS TECHNOLOGY CO., LTD.**, Shenzhen, Guangdong Province (CN)
- (72) Inventor: **Junwei Ouyang**, Shenzhen (CN)
- (73) Assignee: **Shenzhen IVPS Technology Co. Ltd.**, Shenzhen (CN)
- (\*\*) Term: **15 Years**
- (21) Appl. No.: **29/658,378**
- (22) Filed: **Jul. 31, 2018**
- (30) **Foreign Application Priority Data**  
Apr. 23, 2018 (CN) ..... 2018 3 0168597
- (51) **LOC (12) Cl.** ..... **27-02**
- (52) **U.S. Cl.**  
USPC ..... **D27/162**
- (58) **Field of Classification Search**  
USPC ..... D27/162, 100, 101, 163, 164, 165, 172, D27/174, 175, 176, 183, 185-194; D24/110, 110.5; 128/202.21, 203.12; 131/273, 274, 270, 191, 328, 329, 330, 131/360-365  
CPC .... A24F 47/002; A24F 47/006; A24F 47/008; A61M 15/00; A61M 15/06  
See application file for complete search history.

- D761,487 S \* 7/2016 Han ..... D27/162
- D776,867 S \* 1/2017 Rado ..... D27/162
- D776,868 S \* 1/2017 Rado ..... D27/162
- D783,117 S \* 4/2017 Gilbarte ..... D22/117
- D806,942 S \* 1/2018 Qiu ..... D27/101
- D825,844 S \* 8/2018 Verleur ..... D27/167
- D826,470 S \* 8/2018 Huang ..... D27/167
- D826,471 S \* 8/2018 Wang ..... D27/167
- D849,317 S \* 5/2019 Qiu ..... D27/162
- D849,318 S \* 5/2019 Deng ..... D27/162
- 2016/0113327 A1\* 4/2016 Wu ..... H05B 3/06 131/329
- 2016/0295920 A1\* 10/2016 Liu ..... H05B 3/0014
- 2017/0013881 A1\* 1/2017 Liu ..... A24F 47/008
- 2018/0279683 A1\* 10/2018 Qiu ..... A24F 47/008

\* cited by examiner

*Primary Examiner* — Marissa J Cash  
*Assistant Examiner* — Rebecca Tsehaye  
(74) *Attorney, Agent, or Firm* — IP-PAL Patent US

(57) **CLAIM**

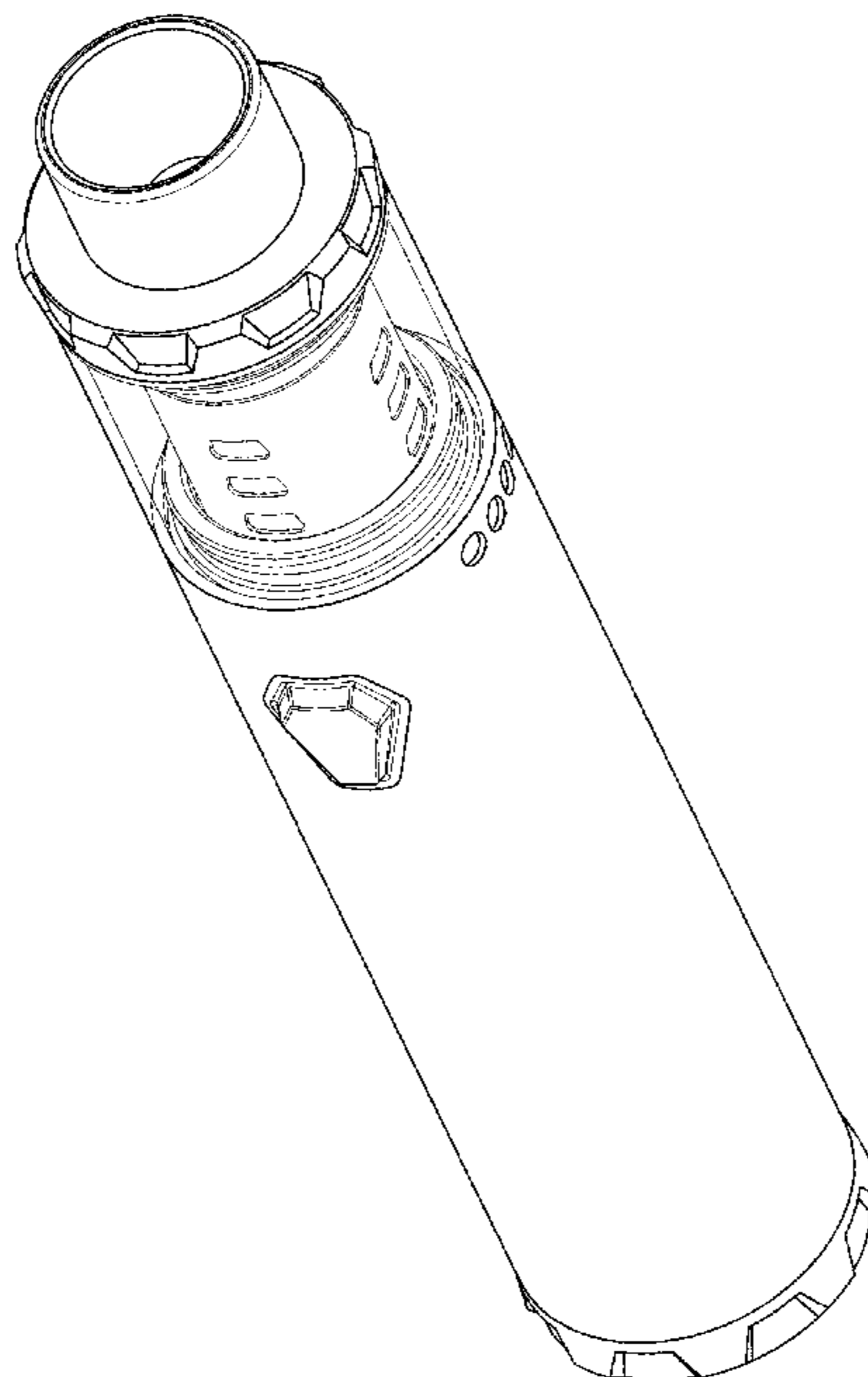
The ornamental design for an electronic cigarette, as shown and described.

**DESCRIPTION**

FIG. 1 is a perspective front and top view of an electronic cigarette;  
FIG. 2 is a front view thereof;  
FIG. 3 is a rear view thereof;  
FIG. 4 is a top view thereof;  
FIG. 5 is a bottom view thereof;  
FIG. 6 is a left side view thereof,  
FIG. 7 is a right side view thereof; and,  
FIG. 8 is a perspective front and bottom view thereof.  
The broken lines in the drawings depict portions of the electronic cigarette that form no part of the claimed design.

**1 Claim, 8 Drawing Sheets**

- (56) **References Cited**  
U.S. PATENT DOCUMENTS  
D720,095 S \* 12/2014 Alima ..... D27/101  
D724,264 S \* 3/2015 Chambers ..... D27/101  
D751,249 S \* 3/2016 Chen ..... D27/101



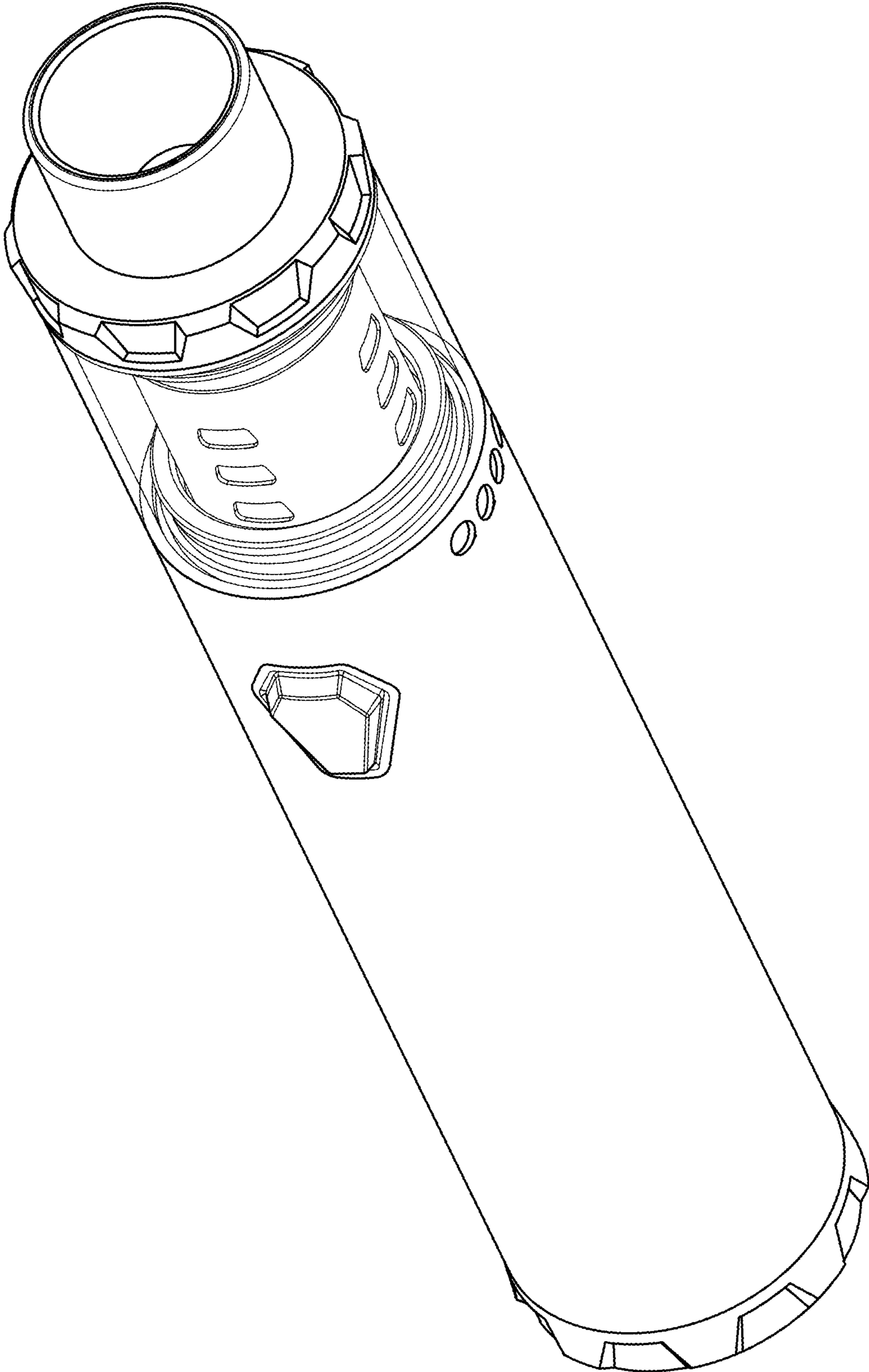


FIG. 1

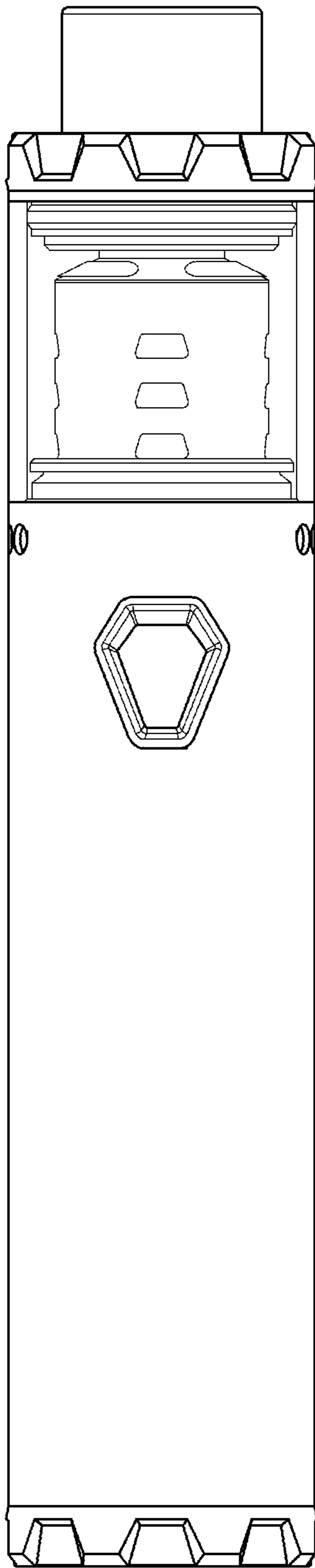


FIG. 2

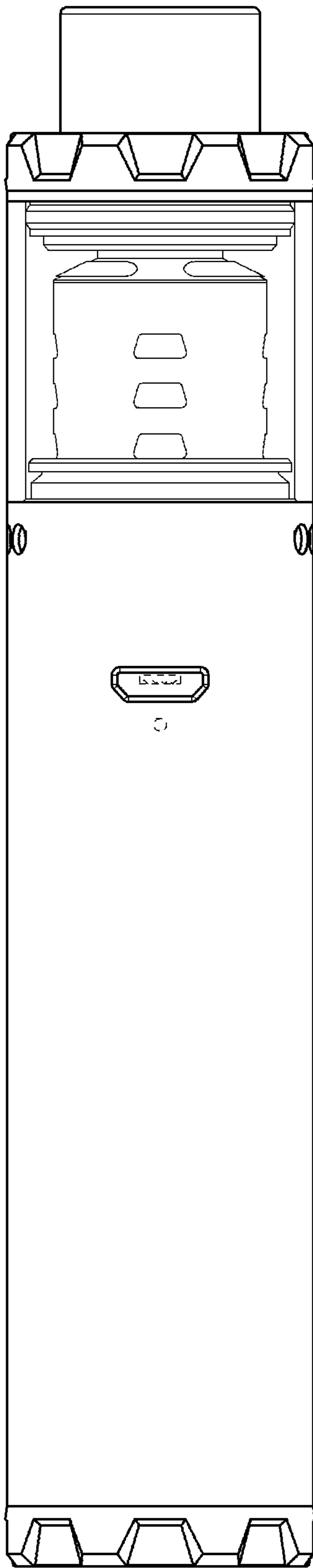


FIG. 3

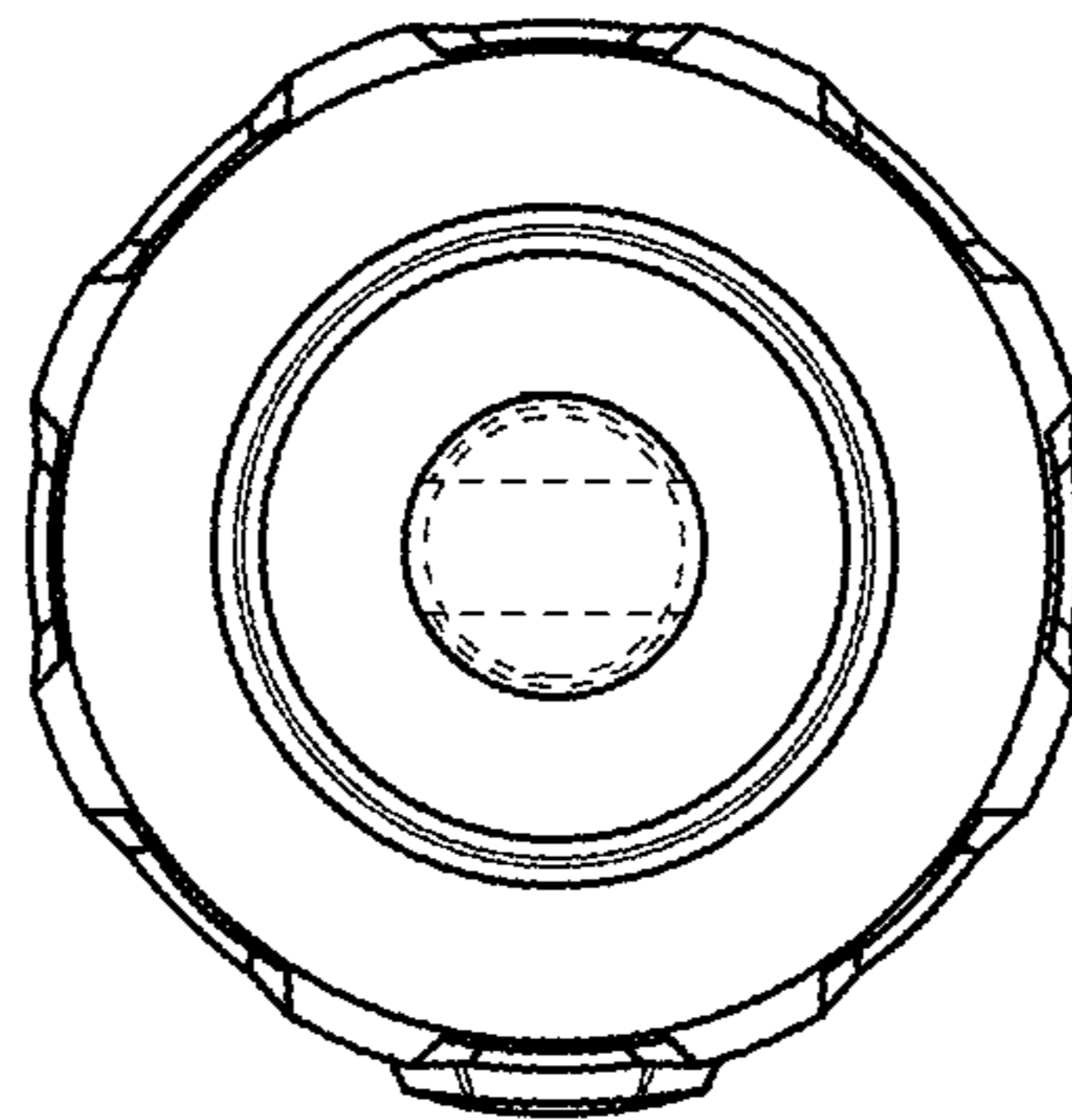


FIG. 4

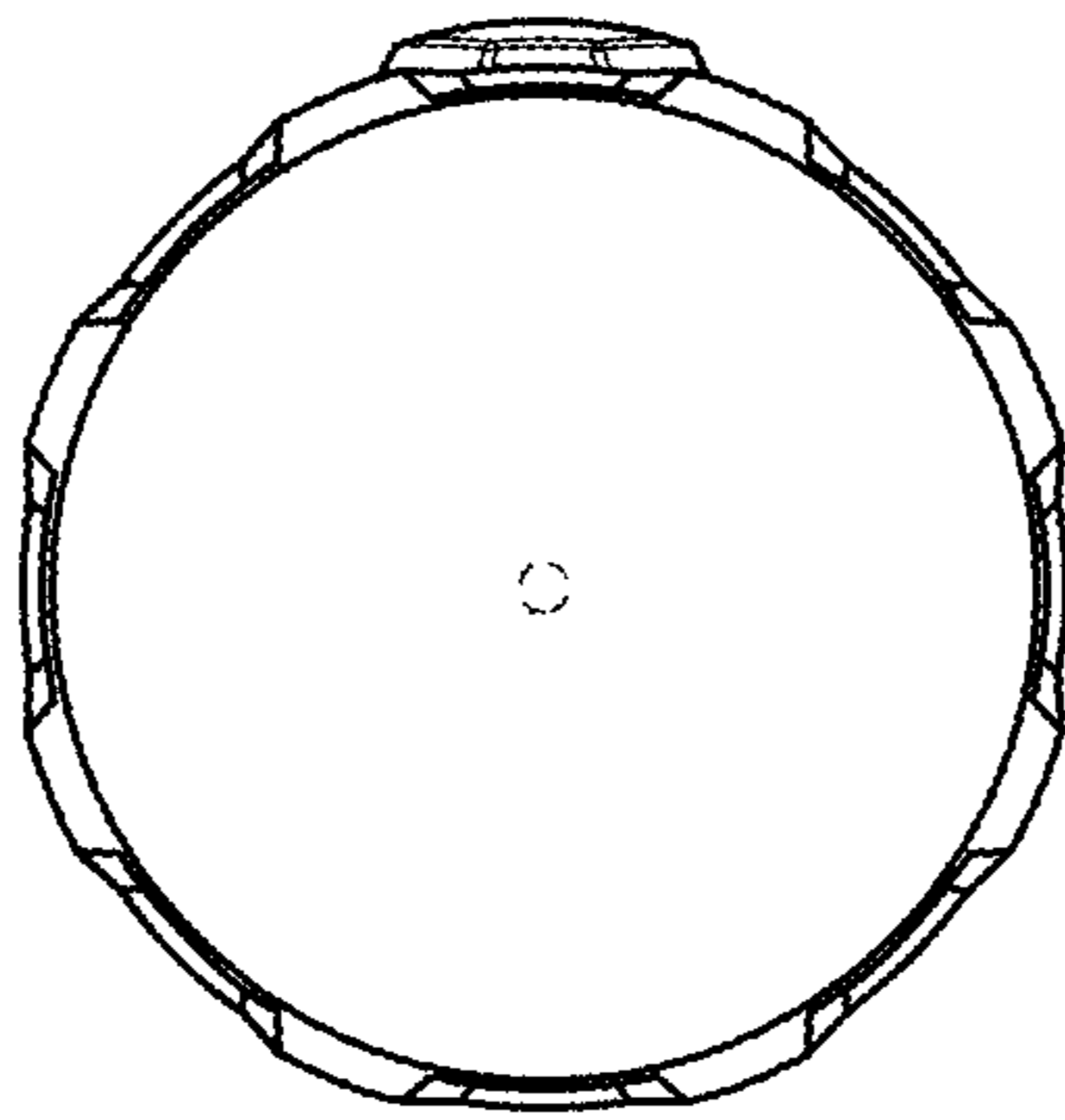


FIG. 5

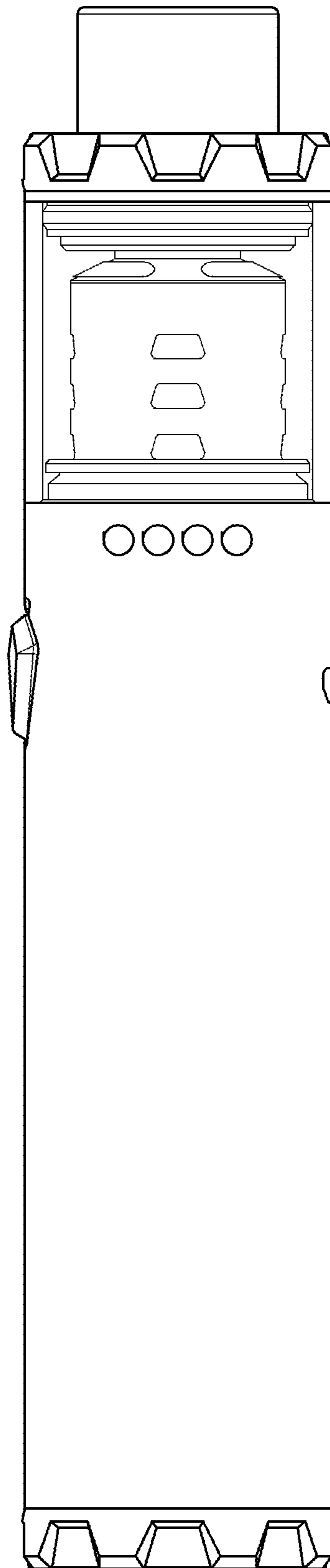


FIG. 6

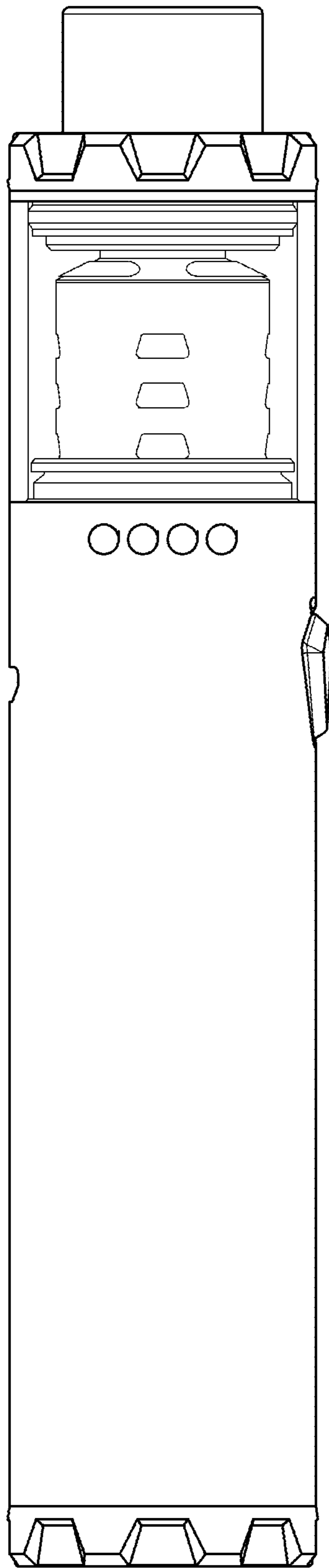


FIG. 7



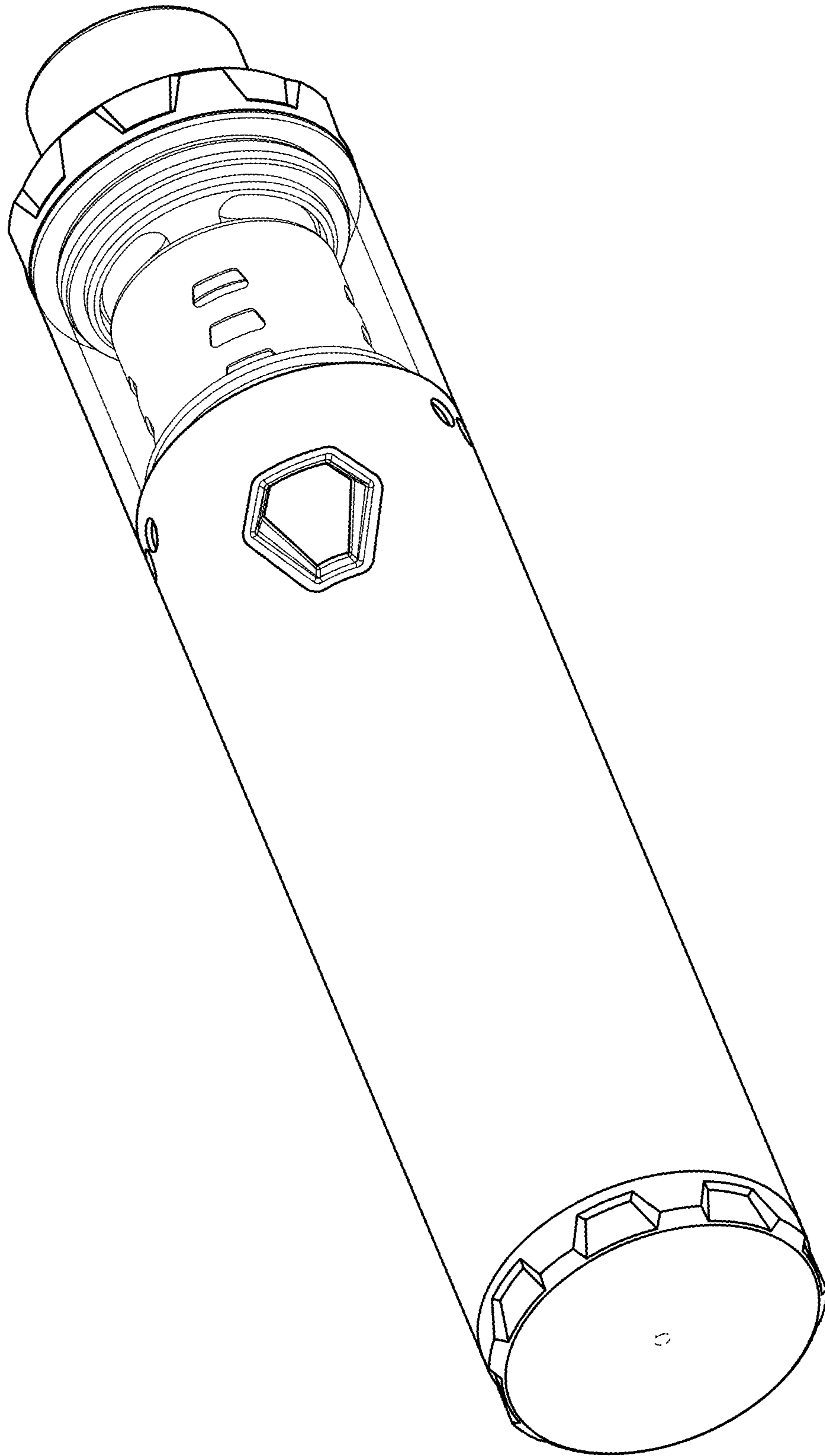


FIG. 8