



US00D882164S

(12) **United States Design Patent** (10) **Patent No.:** **US D882,164 S**
Chen (45) **Date of Patent:** **** Apr. 21, 2020**

(54) **SECURITY LIGHT WITH SENSOR**

(71) Applicant: **Chia-Teh Chen**, Taipei (TW)

(72) Inventor: **Chia-Teh Chen**, Taipei (TW)

(**) Term: **15 Years**

(21) Appl. No.: **29/658,832**

(22) Filed: **Aug. 3, 2018**

(51) **LOC (12) Cl.** **26-05**

(52) **U.S. Cl.**
USPC **D26/142**

(58) **Field of Classification Search**
USPC D26/2, 28, 72, 89, 113, 118, 119, 120,
D26/122, 142, 138
CPC F41C 27/00; F41C 33/0254; G02B 5/045;
G02B 5/189; F21S 8/00; F21S 8/03;
F21S 8/026; F21S 8/02; F21S 8/003;
F21S 8/043; F21S 8/06; F21S 8/04; F21V
7/005; F21V 15/01; F21V 15/04; F21V
25/00; G02F 2001/133607; F21Y 2103/00
See application file for complete search history.

(56) **References Cited**

U.S. PATENT DOCUMENTS

D604,454 S	*	11/2009	Majidi	D26/142
D708,373 S	*	7/2014	Kani	D26/28
D739,577 S	*	9/2015	Kani	D26/28
D769,481 S	*	10/2016	Lai	D26/28
D775,381 S	*	12/2016	Jacq	D26/28
D787,717 S	*	5/2017	Jacq	D26/28
D788,334 S	*	5/2017	Jacq	D26/28
D799,082 S	*	10/2017	Lai	D26/28
D800,930 S	*	10/2017	Flokstra	D26/28
D823,503 S	*	7/2018	Cheng	D26/28

D850,704 S	*	6/2019	Lyu	D26/113
2018/0292056 A1	*	10/2018	Kim	F21V 27/02
2019/0059142 A1	*	2/2019	Chen	H05B 37/0227

* cited by examiner

Primary Examiner — Mark A Goodwin

Assistant Examiner — Benjamin M Weeks

(74) *Attorney, Agent, or Firm* — Li & Cai Intellectual Property (USA) Office

(57) **CLAIM**

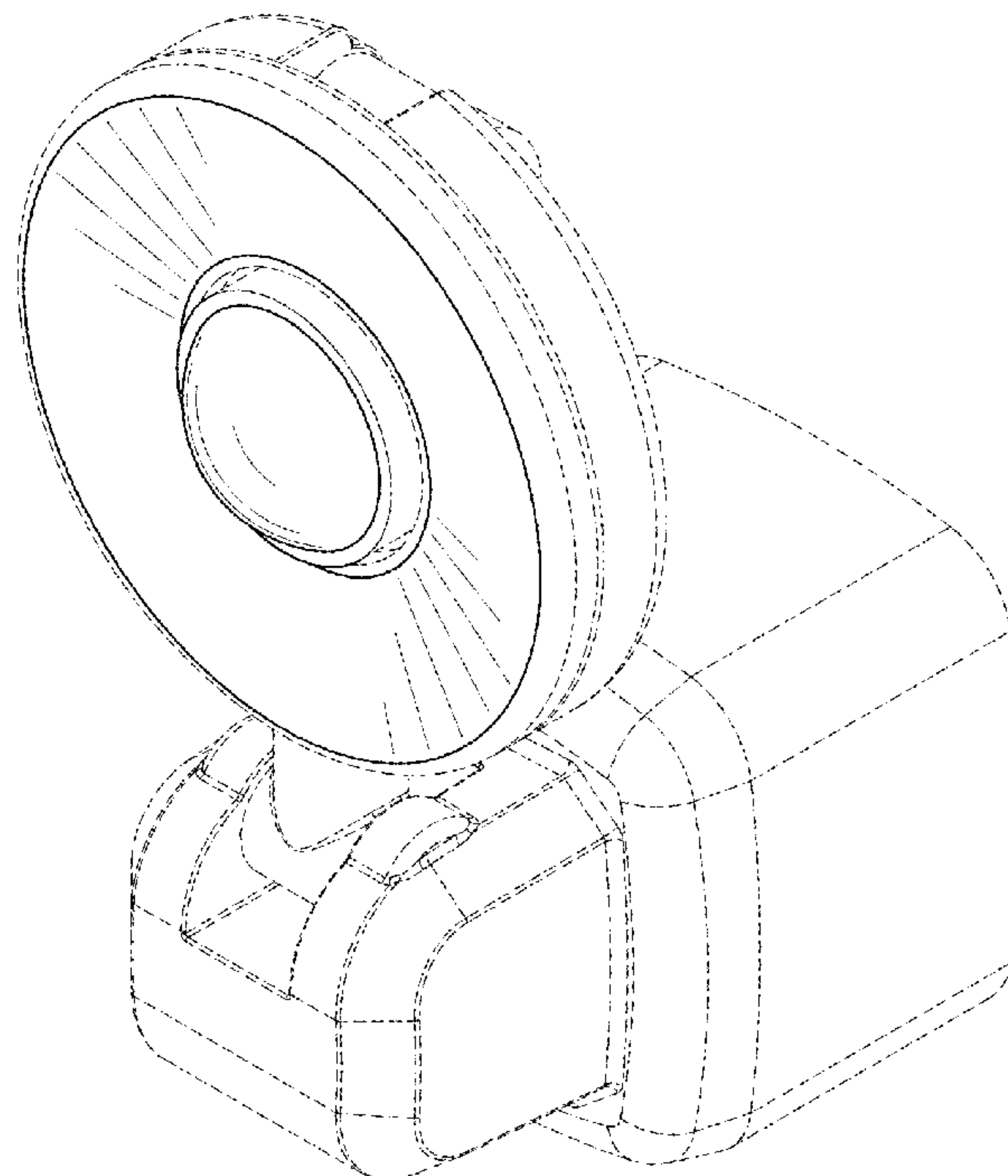
The ornamental design for security light with sensor, as shown and described.

DESCRIPTION

FIG. 1 is a front perspective view of a security light with sensor showing my new design;
FIG. 2 is a front view thereof;
FIG. 3 is a rear view thereof;
FIG. 4 is a left side view thereof;
FIG. 5 is a right side view thereof;
FIG. 6 is a top view thereof;
FIG. 7 is a bottom view thereof;
FIG. 8 is a front perspective view thereof, wherein the security light with sensor is rotated on a top end of a lamp;
FIG. 9 is a front perspective view thereof, wherein a lamp is rotated to a downward illuminating angle; and,
FIG. 10 is a front view thereof, wherein the security light with sensor is rotated toward another angle on the top end of a lamp.

The broken lines in the disclosure represents the unclaimed boundary between claimed and unclaimed portions of the design or portions of the security light with sensor which form no part of the claimed design.

1 Claim, 10 Drawing Sheets



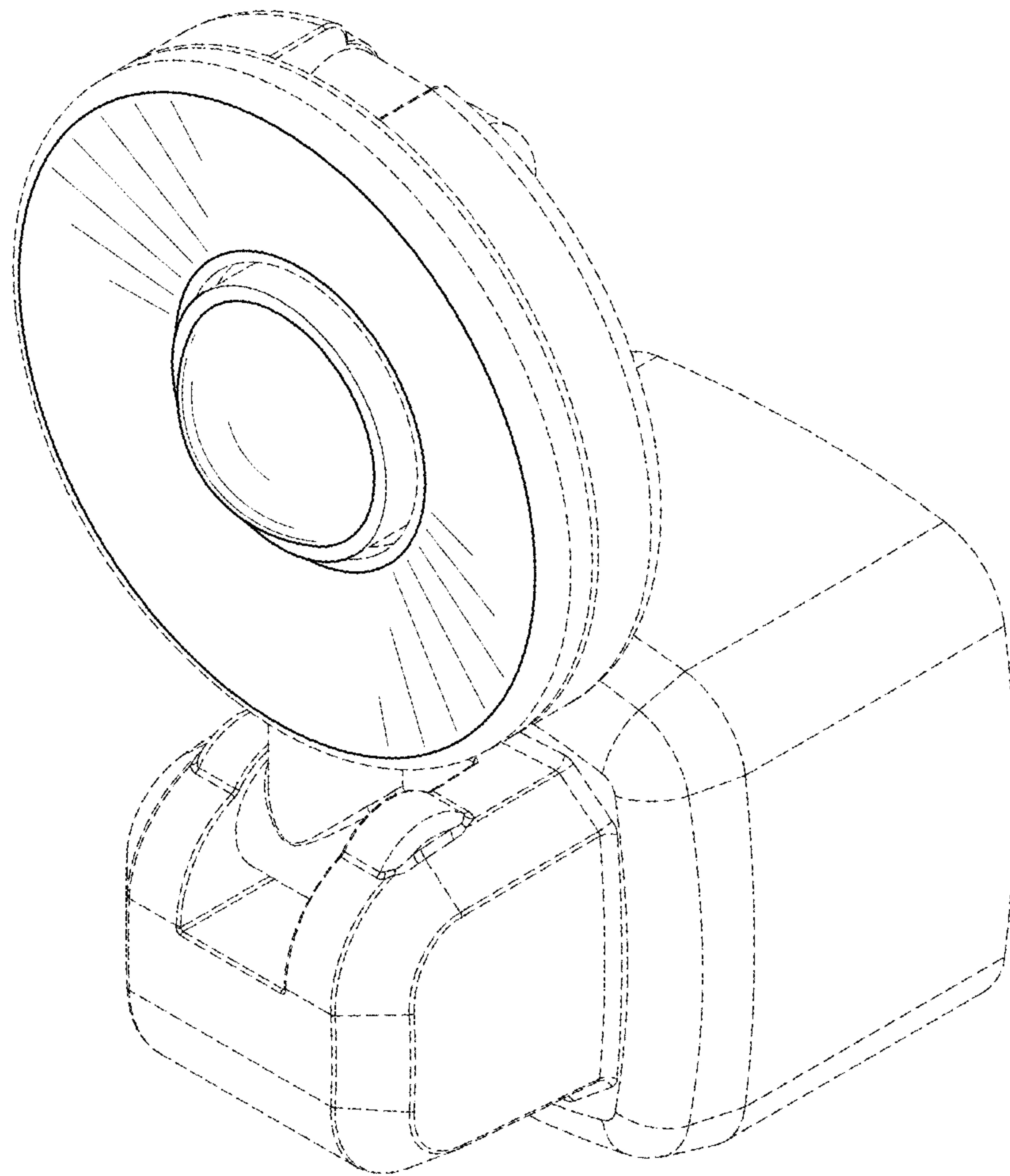


FIG. 1

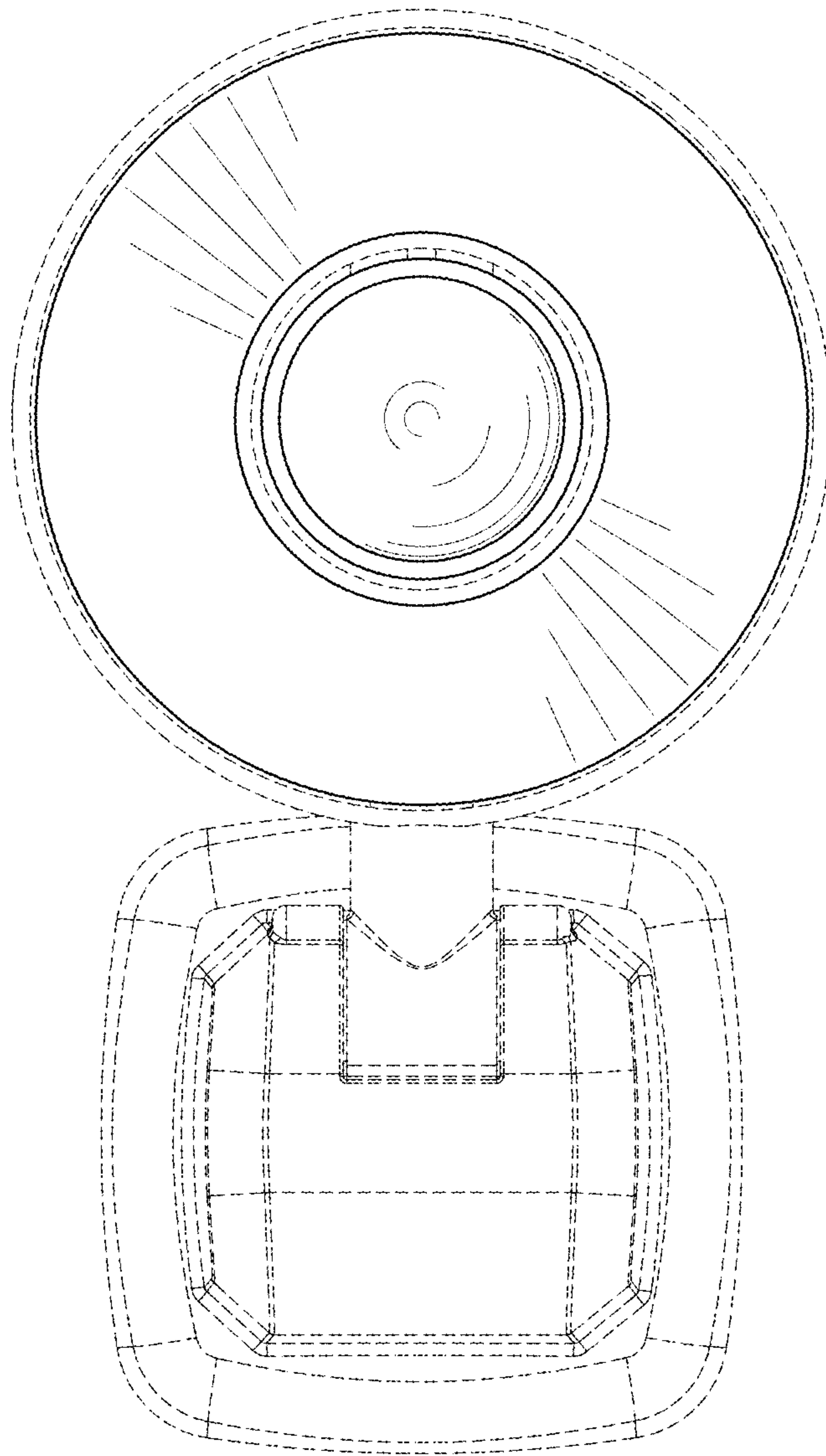


FIG. 2

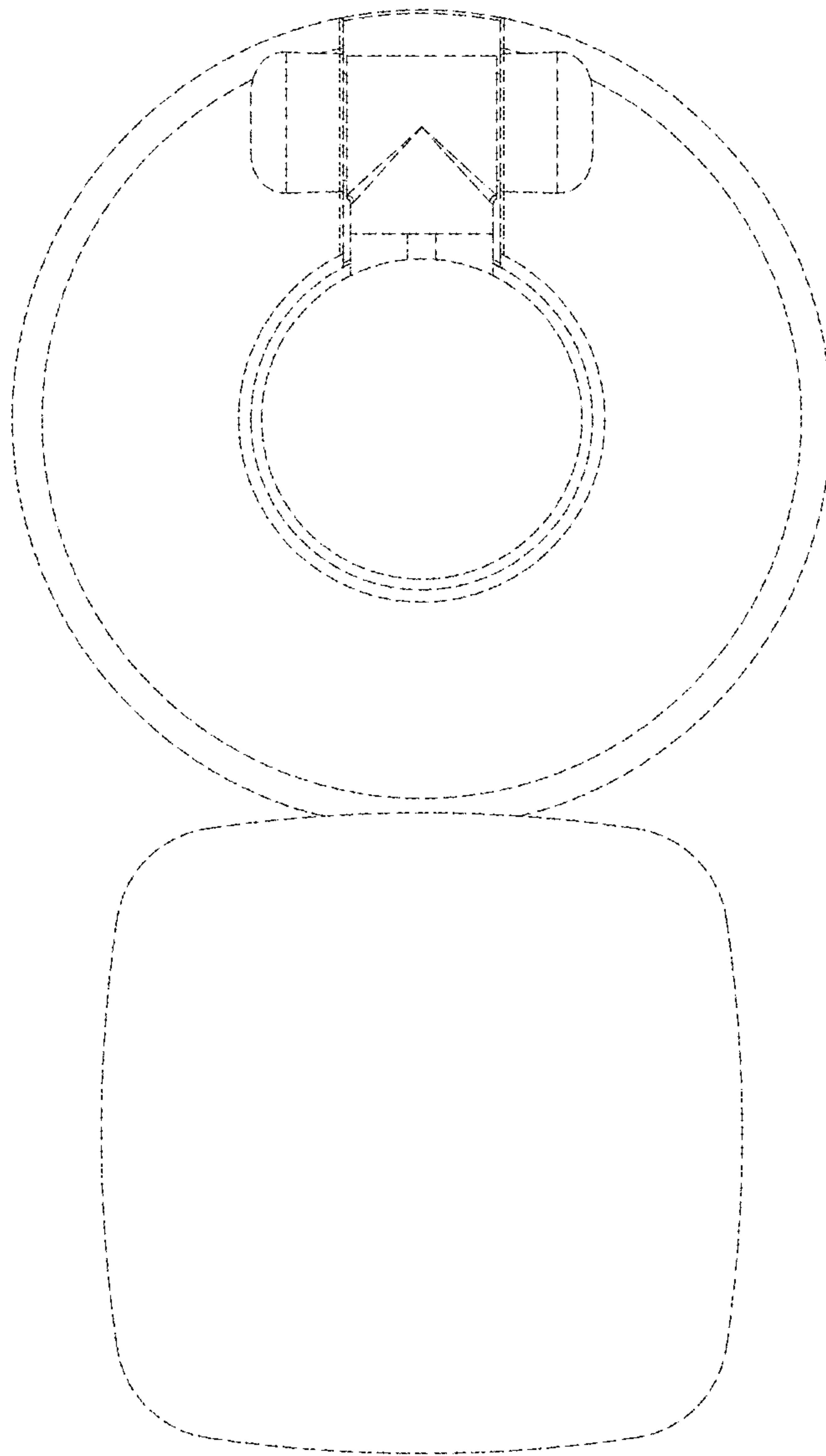


FIG. 3

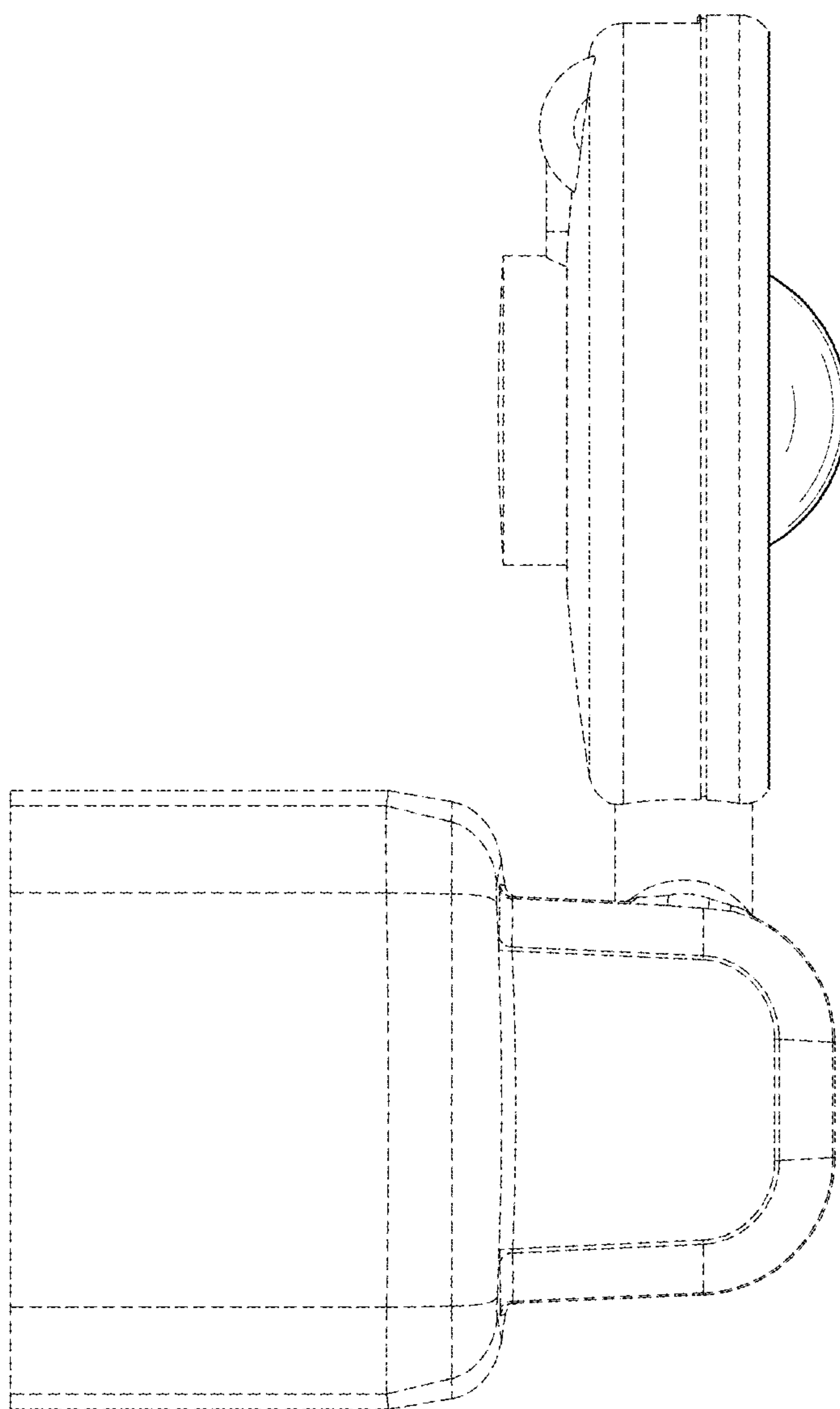


FIG. 4

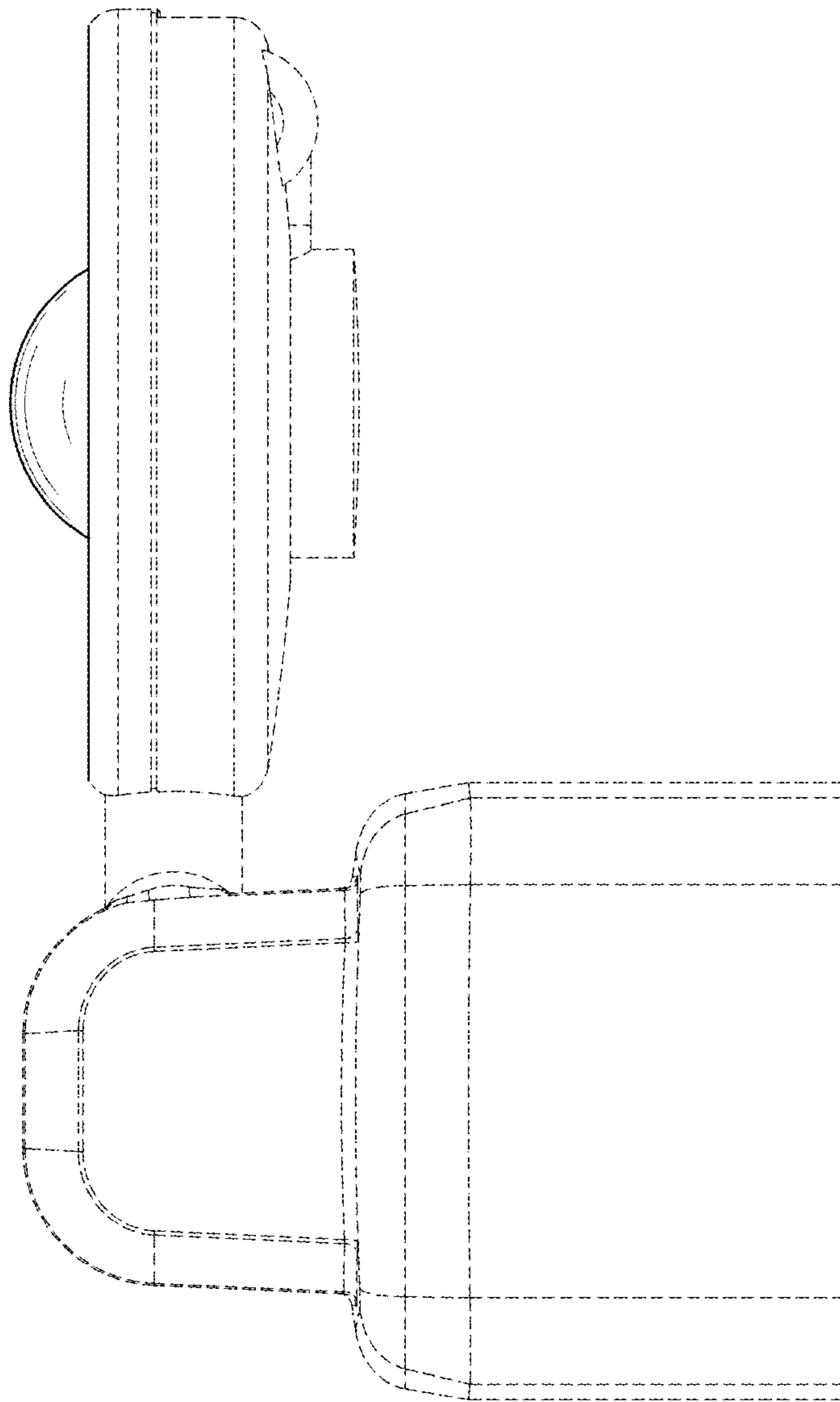


FIG. 5

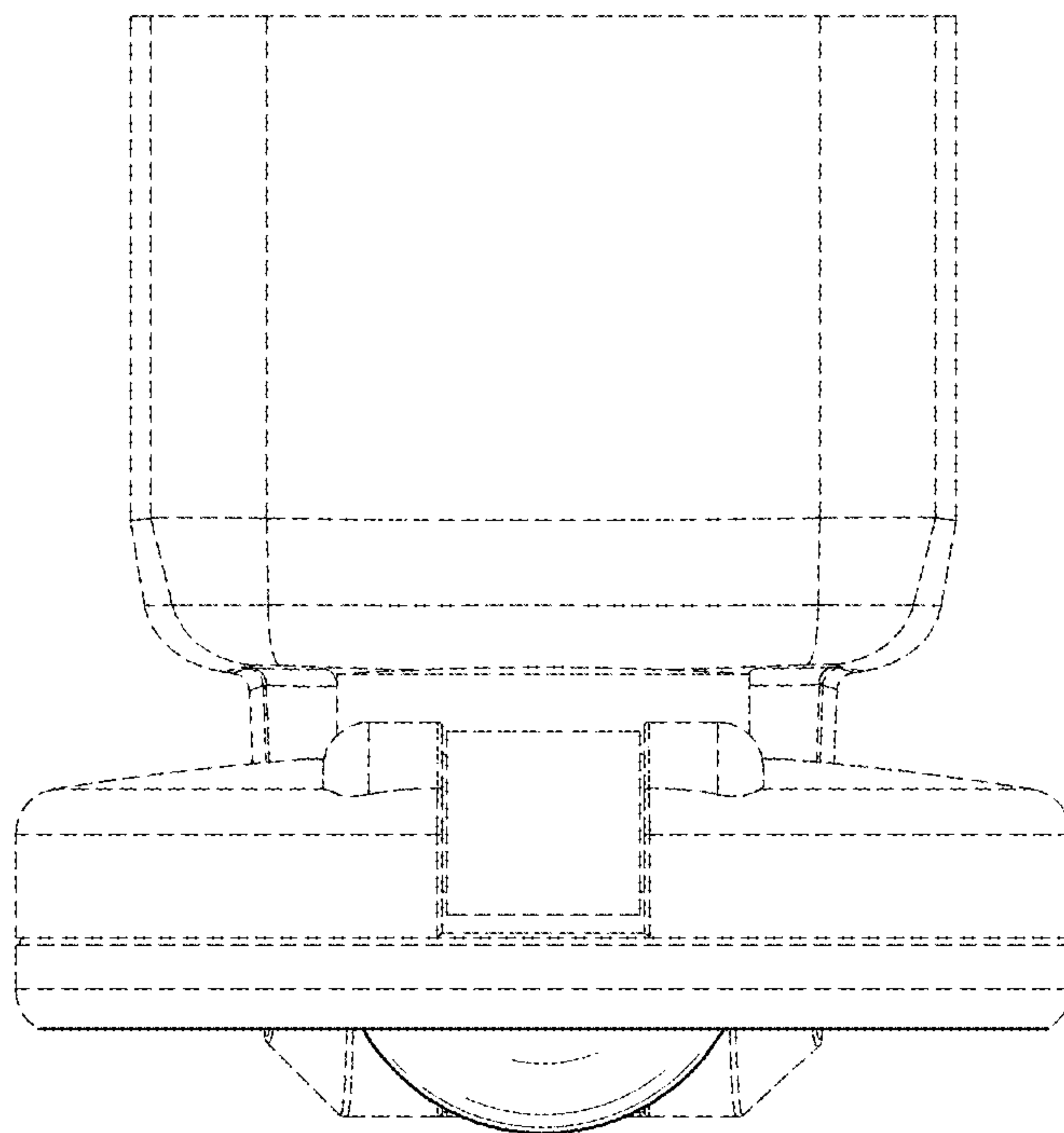


FIG. 6

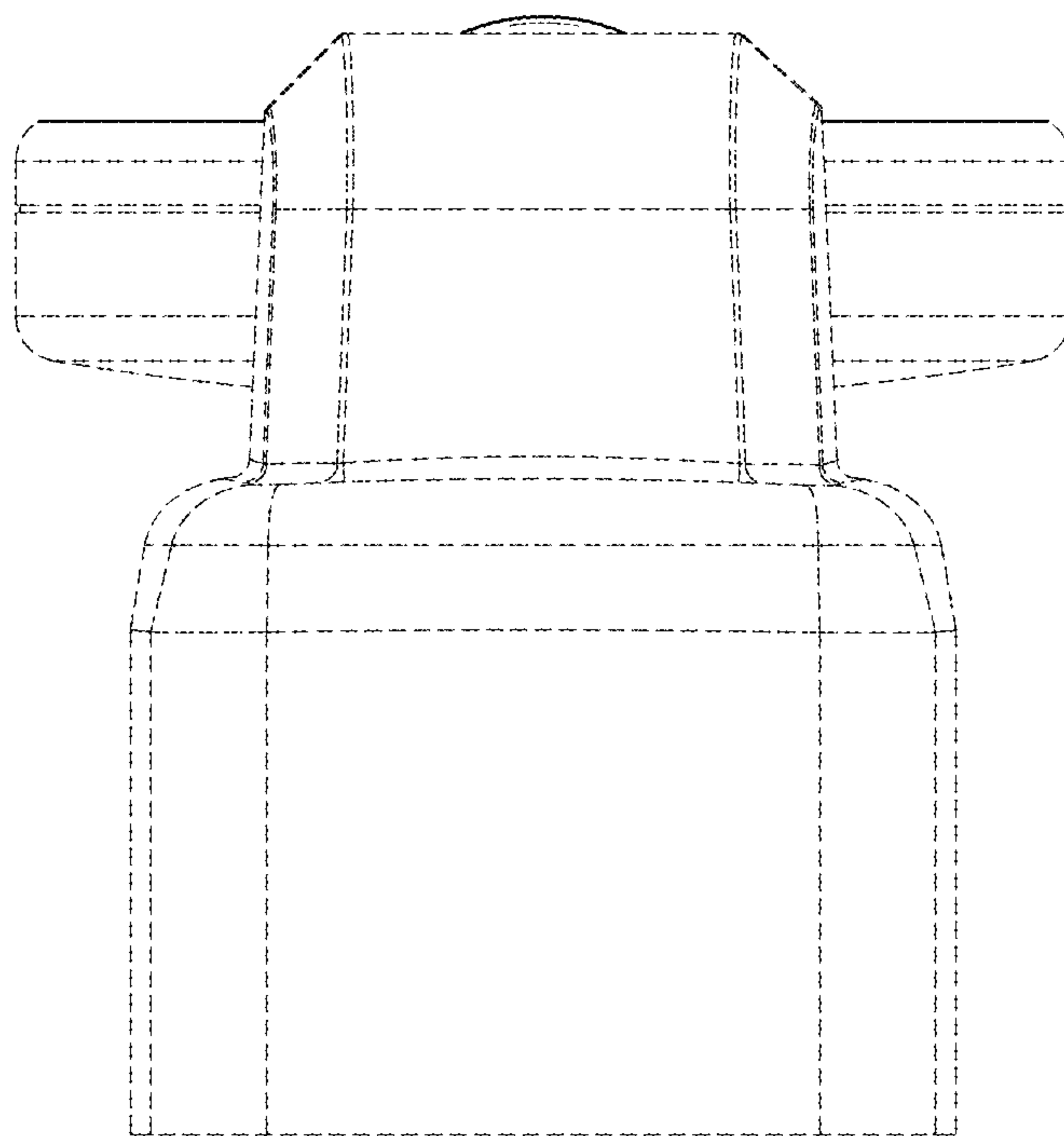


FIG. 7

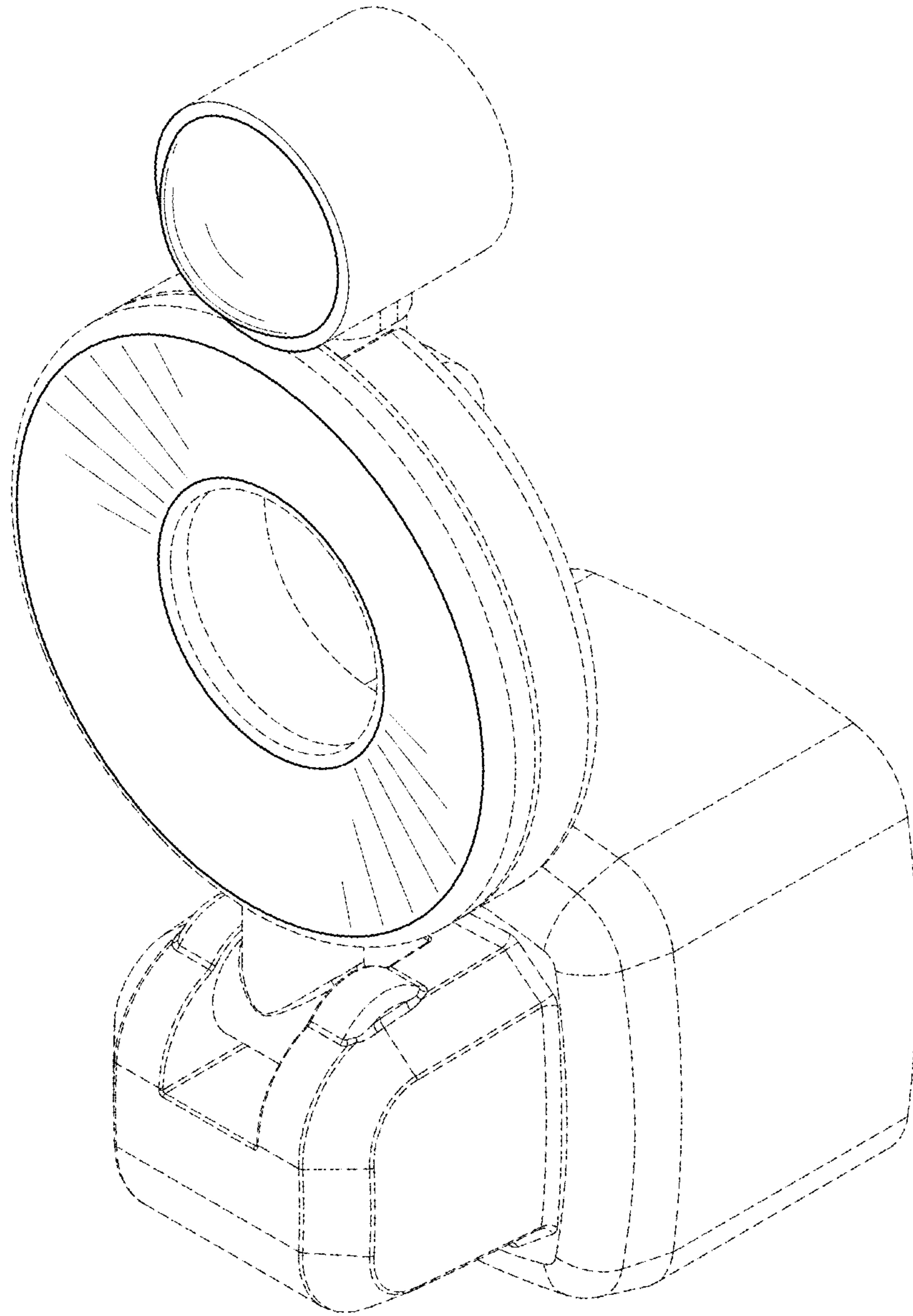


FIG. 8

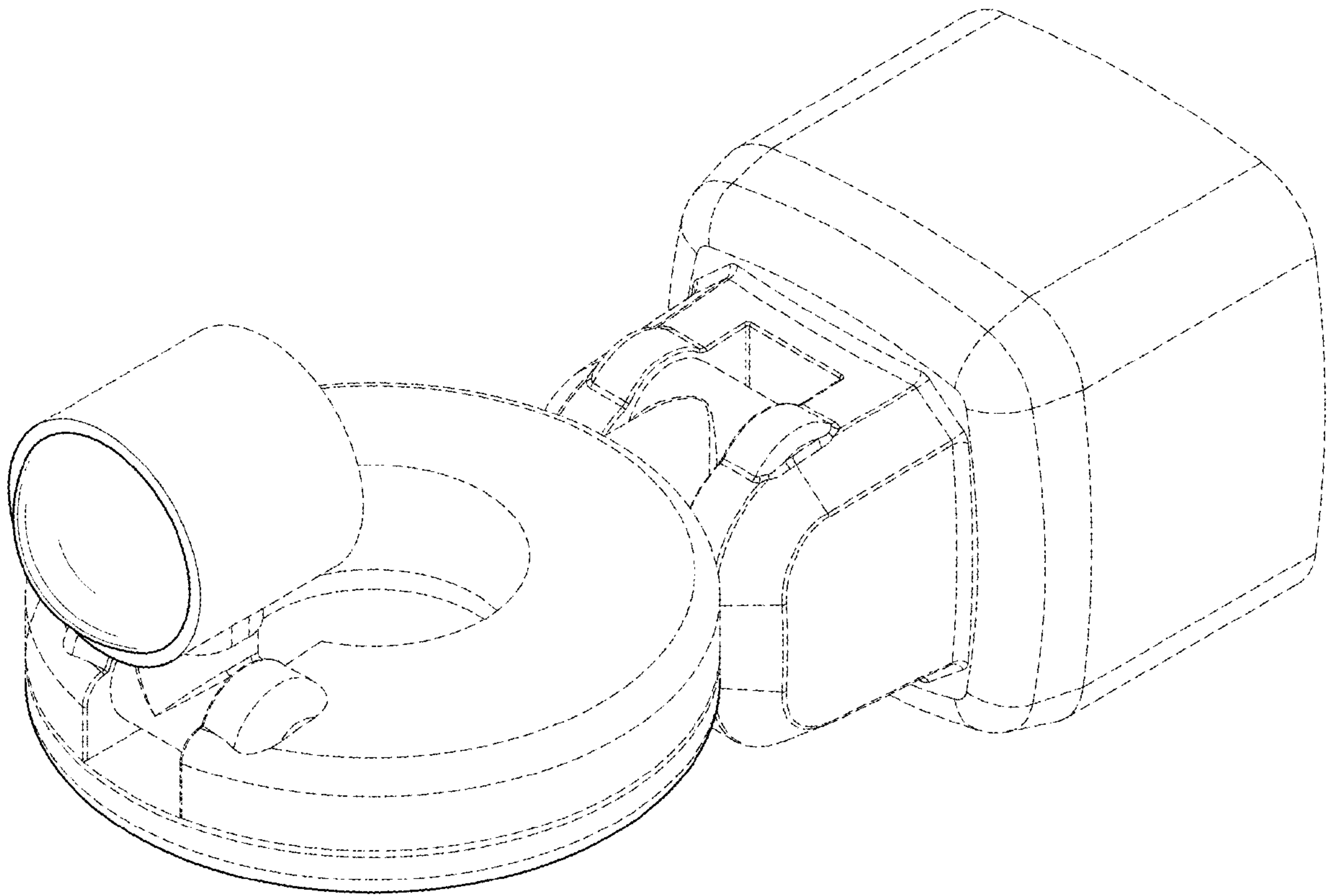


FIG. 9

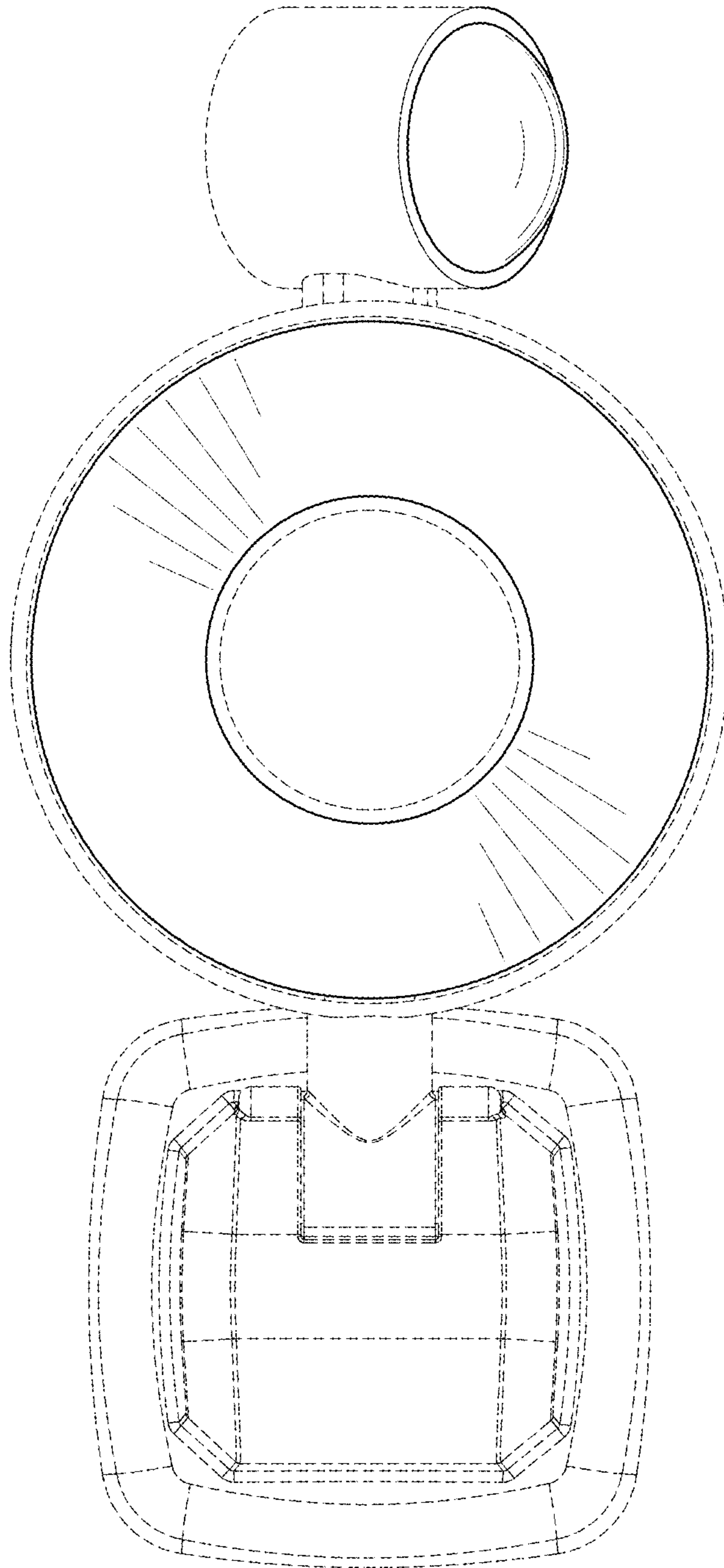


FIG. 10