



US00D882162S

(12) **United States Design Patent**
Sasahara et al.

(10) **Patent No.:** **US D882,162 S**
(45) **Date of Patent:** **** Apr. 21, 2020**

(54) **SENSOR FOR A SIGNAL LAMP**
(71) Applicant: **ROHM CO., LTD.**, Kyoto-shi, Kyoto (JP)
(72) Inventors: **Tetsuya Sasahara**, Kyoto (JP); **Hiroshi Sekiguchi**, Kyoto (JP)
(73) Assignee: **ROHM CO., LTD.**, Kyoto (JP)
(**) Term: **15 Years**

D537,556 S * 2/2007 Summerford D26/142
D570,534 S * 6/2008 Wilcox D26/142
D570,535 S * 6/2008 Kinnune D26/142
D573,298 S * 7/2008 Kinnune D26/142
D660,496 S * 5/2012 Akdag D26/71
D735,398 S * 7/2015 Bobel D26/92
D740,487 S * 10/2015 Nelson D26/153
D760,946 S * 7/2016 Hobson D26/142
D770,660 S * 11/2016 Yang D26/71
D843,642 S * 3/2019 Mathews D26/142

(Continued)

(21) Appl. No.: **29/657,038**
(22) Filed: **Jul. 18, 2018**
(30) **Foreign Application Priority Data**

Jan. 22, 2018 (JP) 2018-001103

(51) **LOC (12) Cl.** **26-05**
(52) **U.S. Cl.**
USPC **D26/142**

(58) **Field of Classification Search**
USPC D26/72, 74, 76, 78-83, 85, 86, 88, 90,
D26/93, 111, 113, 118, 119, 120, 121,
D26/122, 138-142, 152-155
CPC F21S 2/00; F21S 4/00; F21S 4/003; F21S
4/005; F21S 4/006; F21S 4/007; F21S
4/008; F21S 6/00; F21S 8/00; F21S
8/024; F21S 8/026; F21S 8/031; F21S
8/033; F21S 8/035-037; F21S 8/04; F21S
8/043; F21S 8/063
See application file for complete search history.

(56) **References Cited**

U.S. PATENT DOCUMENTS

D219,546 S * 12/1970 Kaiser et al. D26/68
D318,344 S * 7/1991 Arts D26/113
D377,229 S * 1/1997 Shalvi D26/104
D377,541 S * 1/1997 Porter D26/112
D382,082 S * 8/1997 Huang D10/106.1
D500,885 S * 1/2005 Haugaard D26/155

FOREIGN PATENT DOCUMENTS

JP 3202062 U 1/2016

Primary Examiner — Natasha Vujcic

(74) *Attorney, Agent, or Firm* — Hamre, Schumann,
Mueller & Larson, P.C.

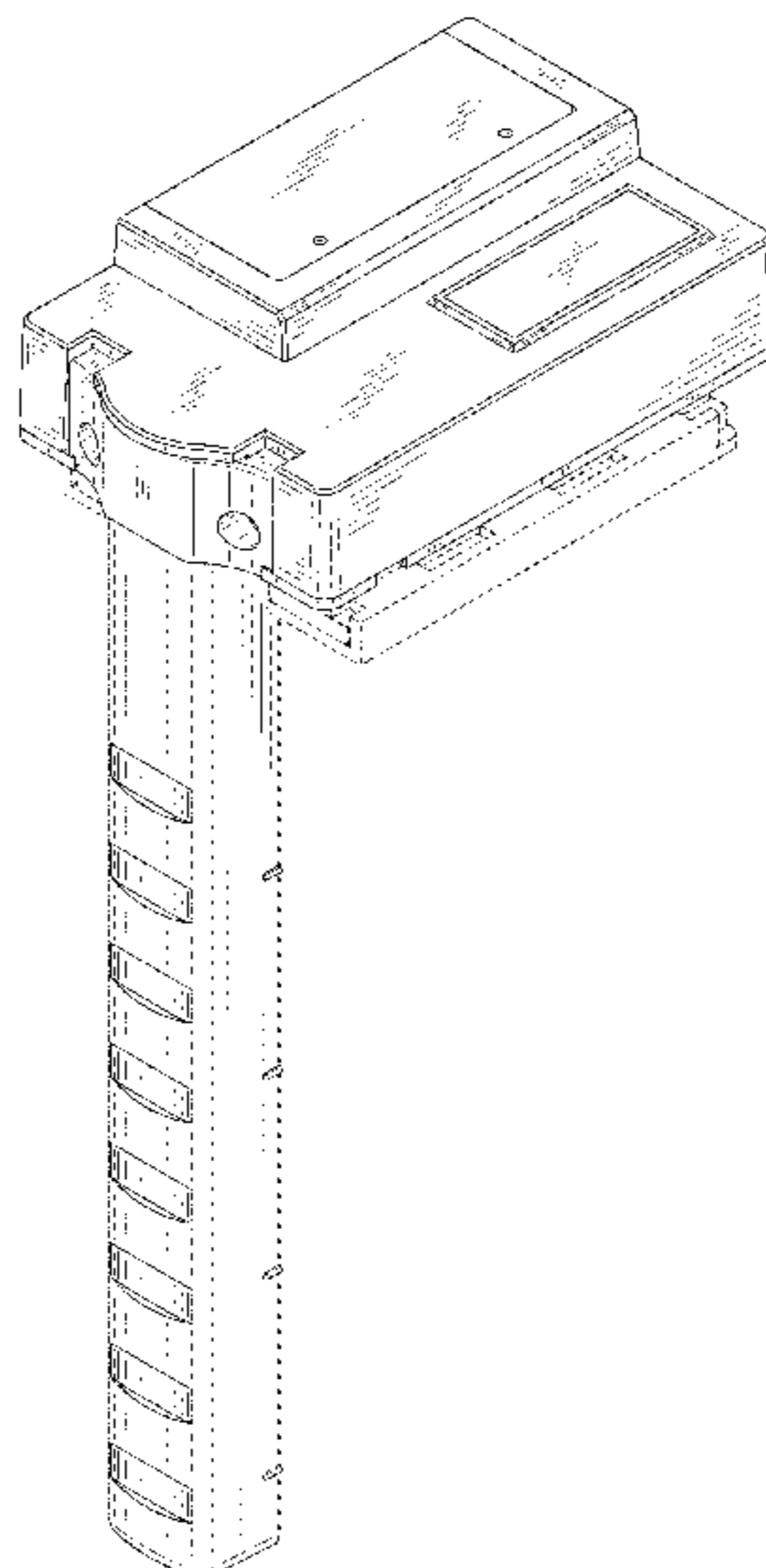
(57) **CLAIM**

The ornamental design for a sensor for a signal lamp, as shown and described.

DESCRIPTION

FIG. 1 is a front, top and left side perspective view of a sensor for a signal lamp showing our new design;
FIG. 2 is a rear, bottom and right side perspective view thereof;
FIG. 3 is a front view thereof;
FIG. 4 is a rear view thereof;
FIG. 5 is a top plan view thereof;
FIG. 6 is a bottom plan view thereof;
FIG. 7 is a right side view thereof;
FIG. 8 is a left side view thereof; and,
FIG. 9 is another front view of the design, shown in a position of use and attached to a signal lamp.
The features shown in broken lines in the drawings depict environmental subject matter only and form no part of the claimed design. The oblique line shading shown in FIGS. 2 and 7 indicates translucent surfaces.

1 Claim, 9 Drawing Sheets



(56)

References Cited

U.S. PATENT DOCUMENTS

D848,056 S	*	5/2019	Carskadon	D26/142
D851,807 S	*	6/2019	Wu	D26/85
D868,339 S	*	11/2019	Recker	D26/85
D869,042 S	*	12/2019	Zhou	D26/71

* cited by examiner

FIG.1

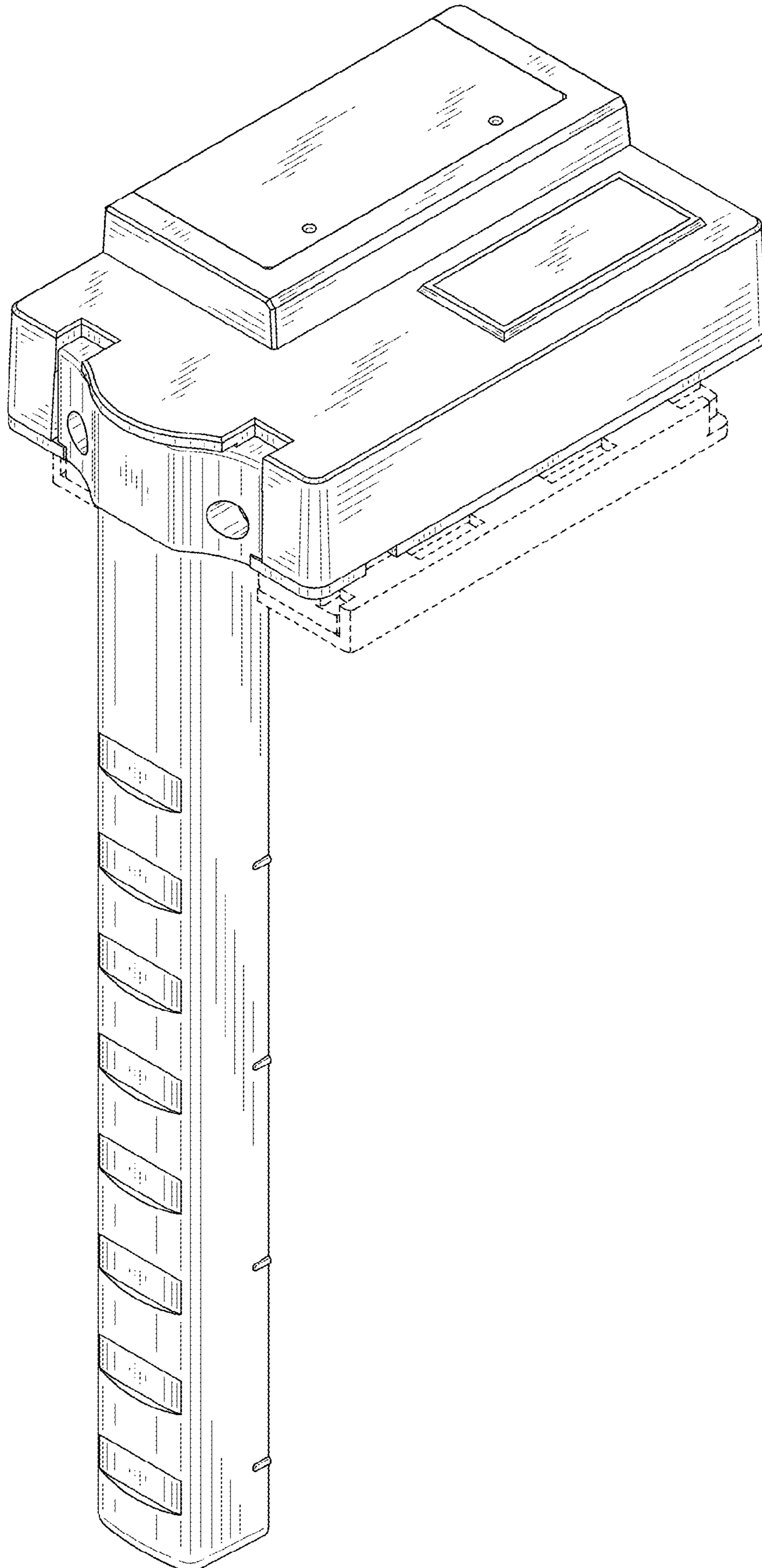


FIG.2

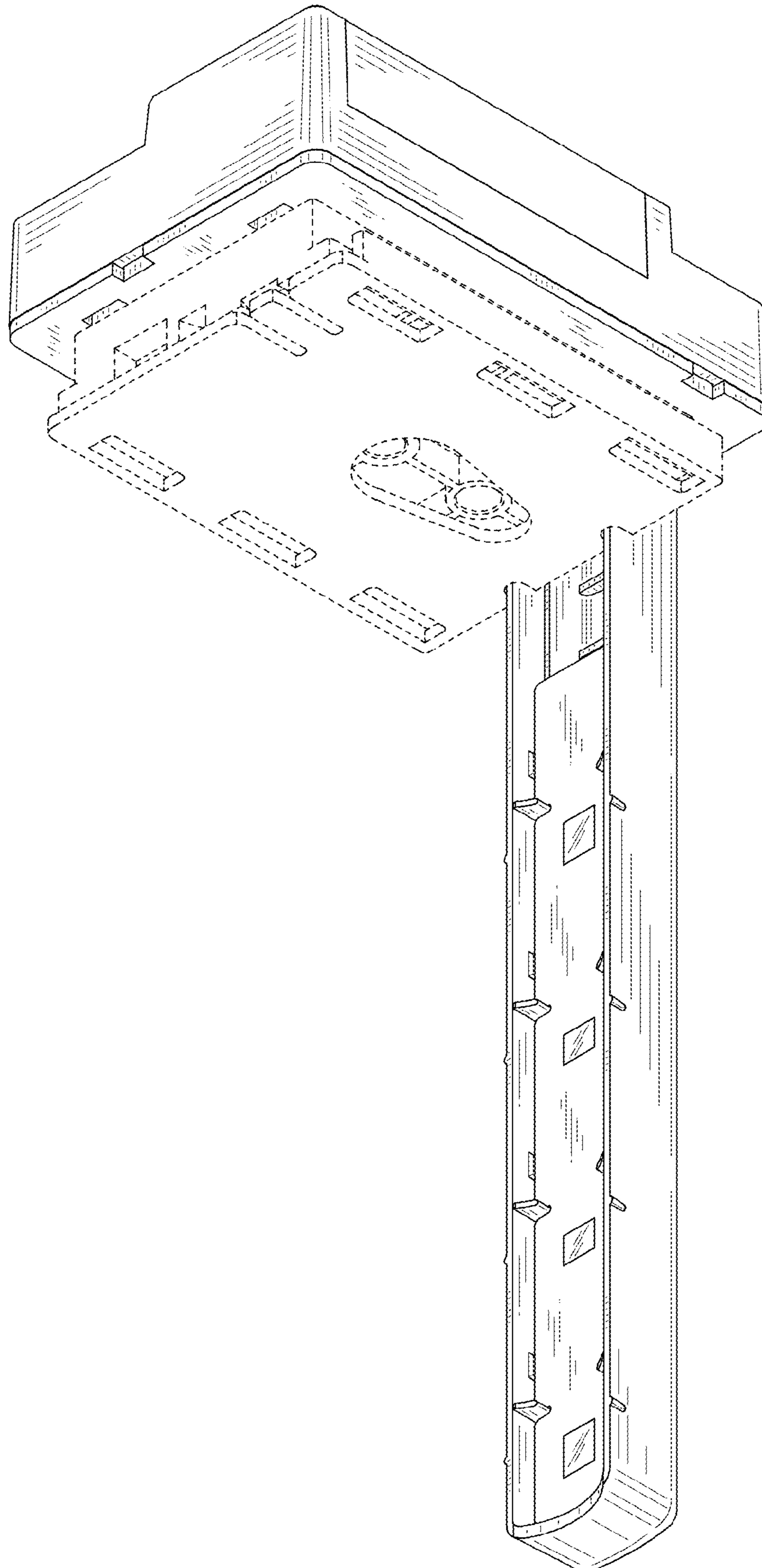


FIG.3

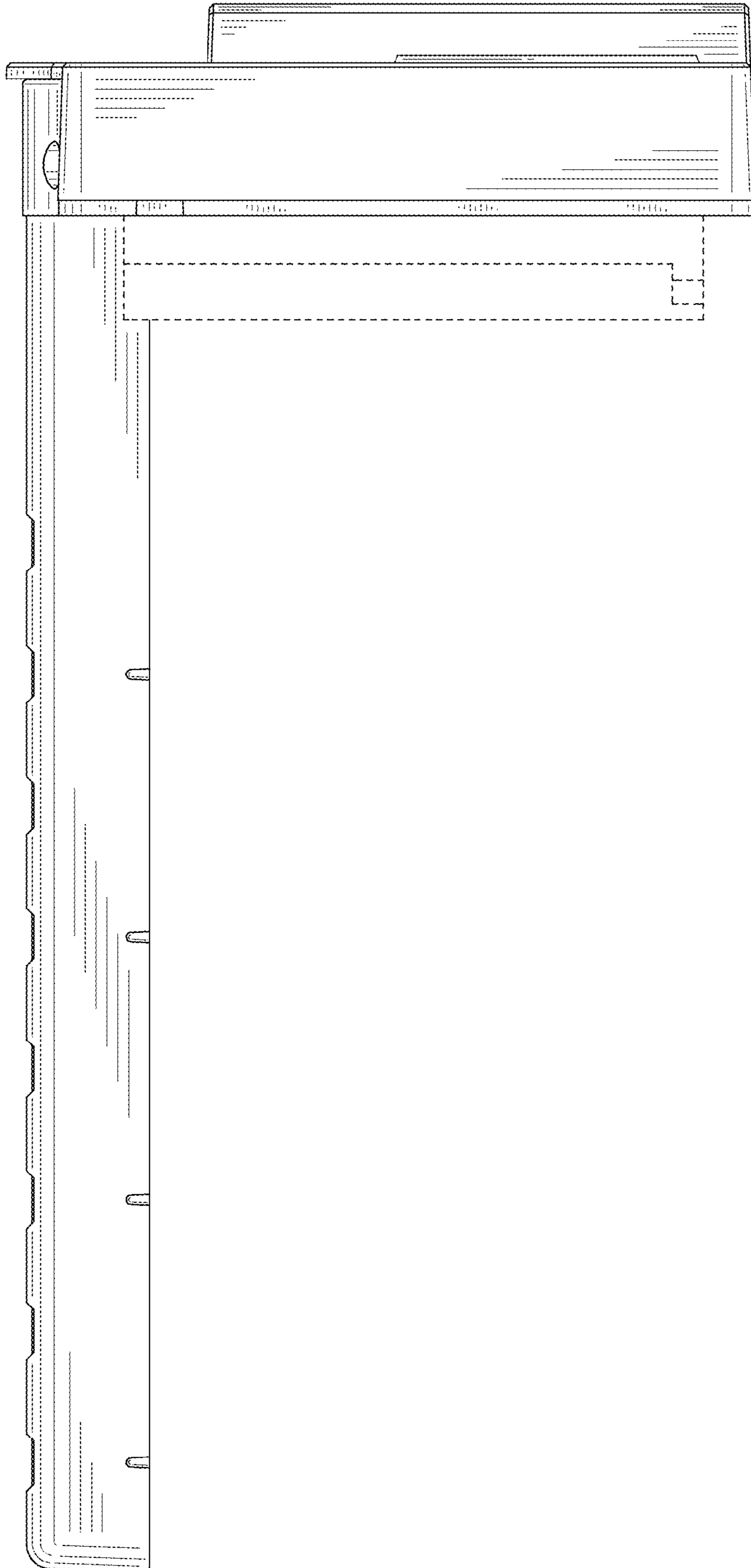


FIG.4

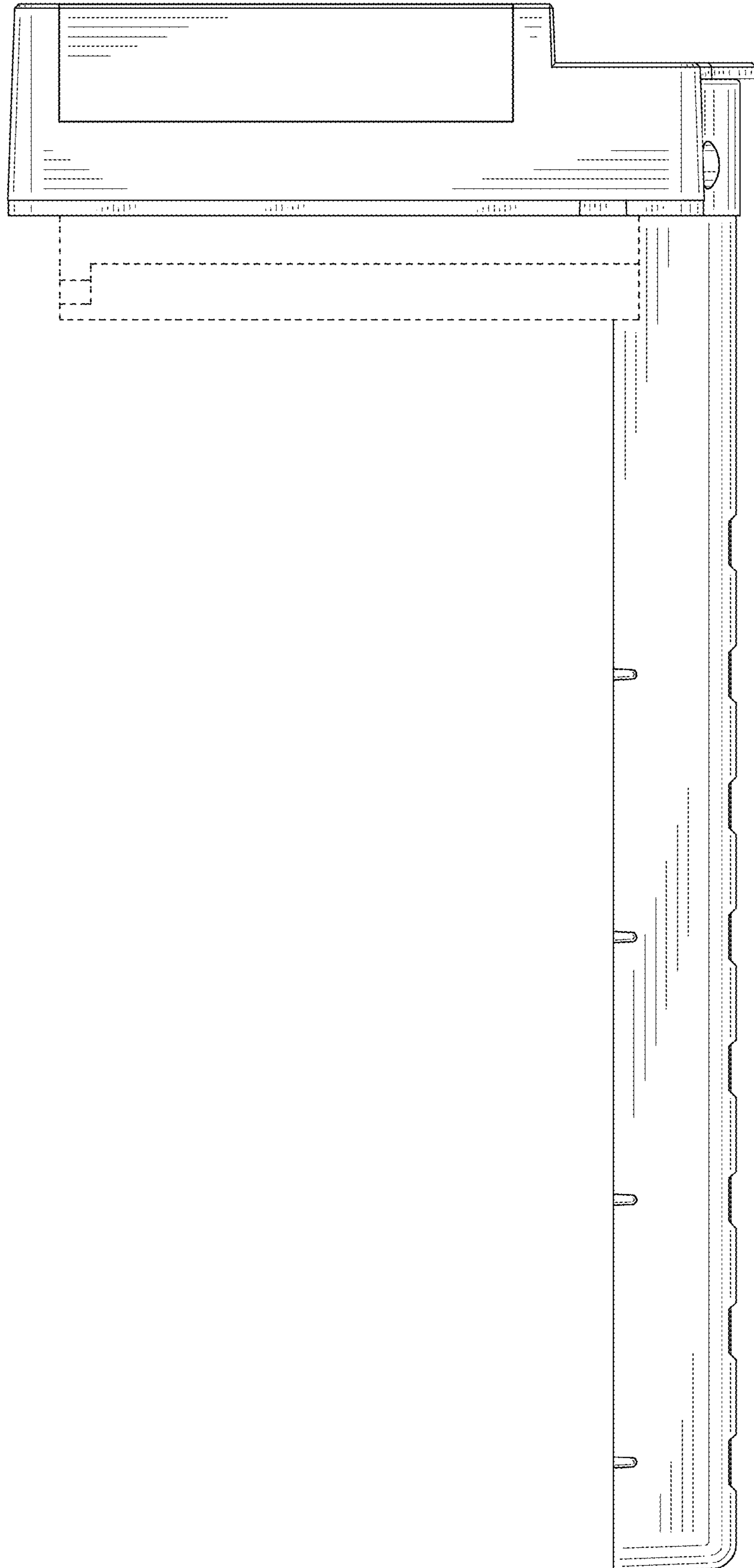


FIG.5

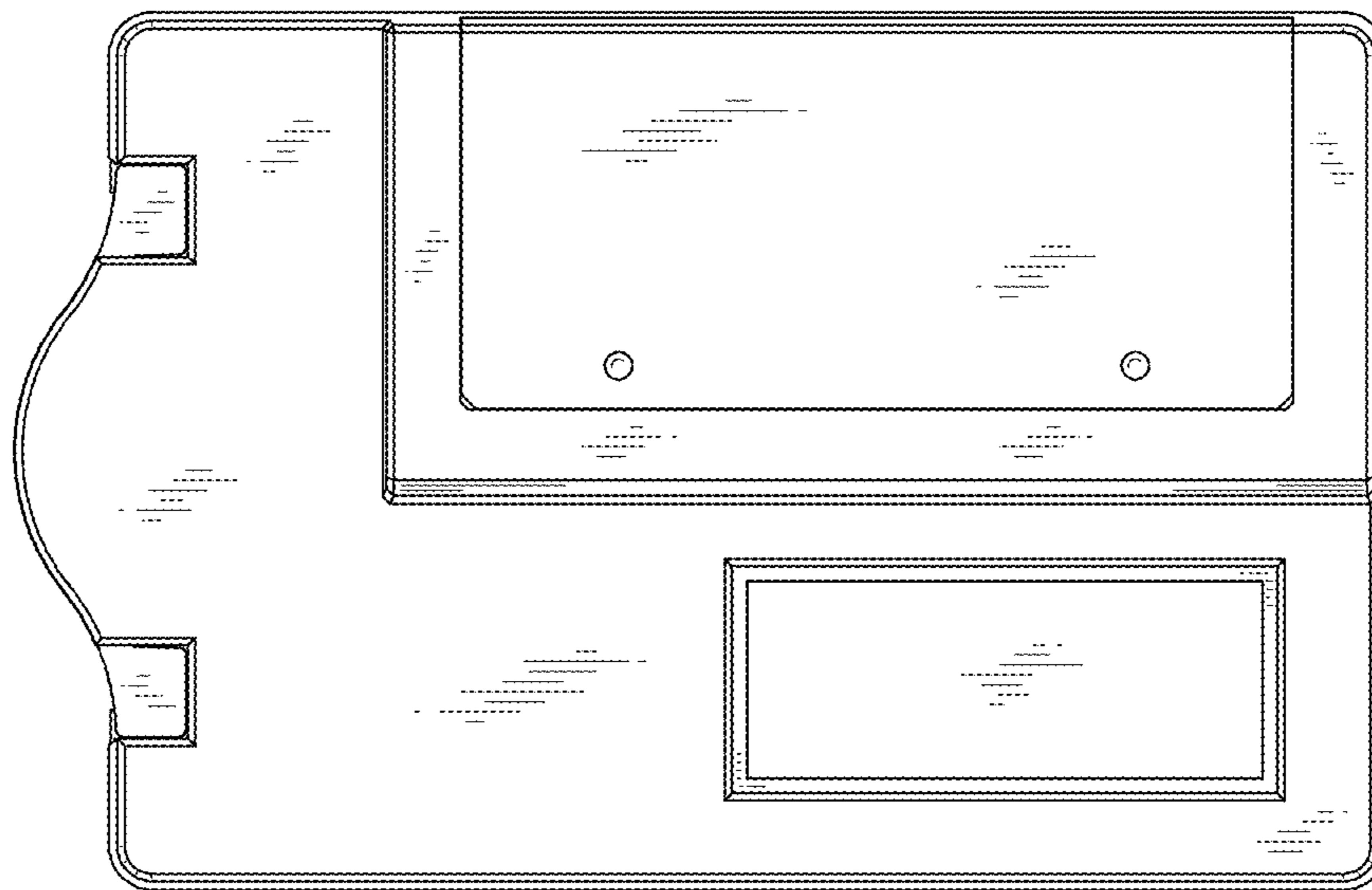


FIG.6

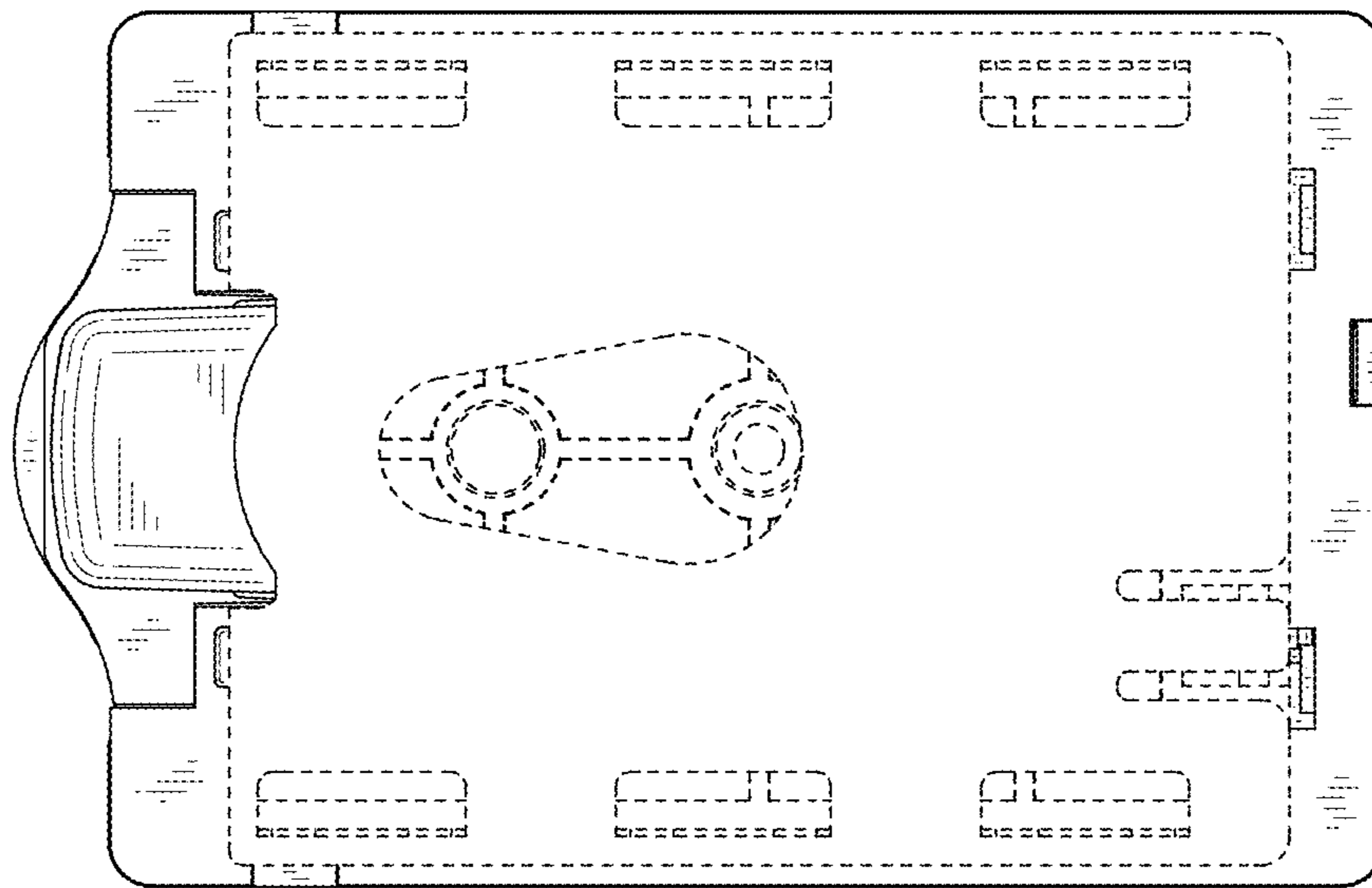


FIG.7

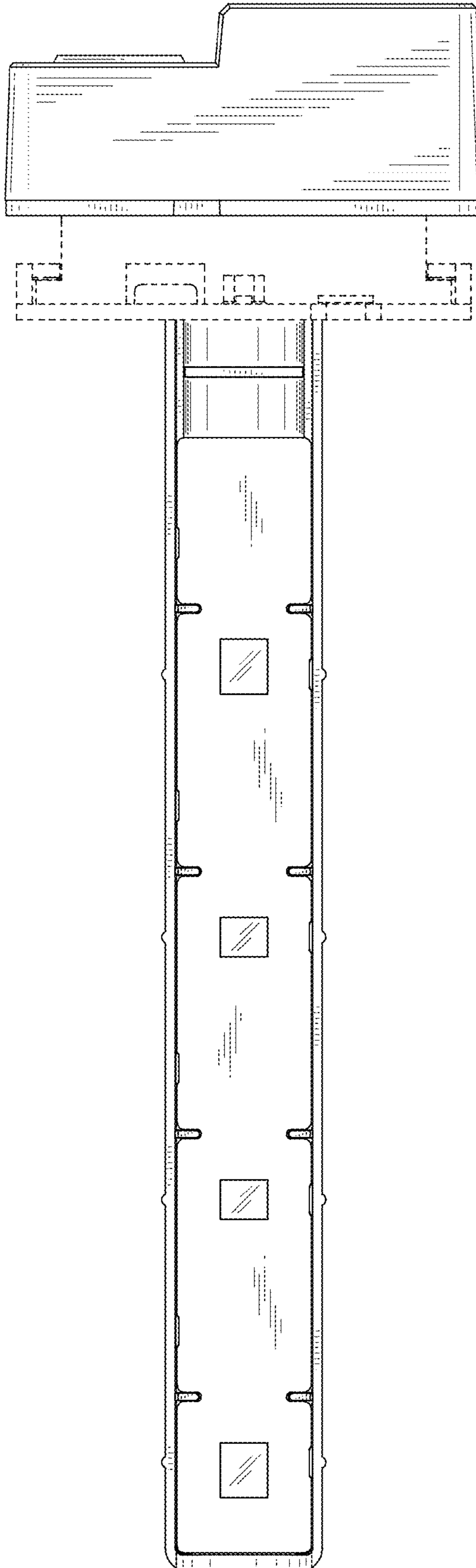


FIG.8

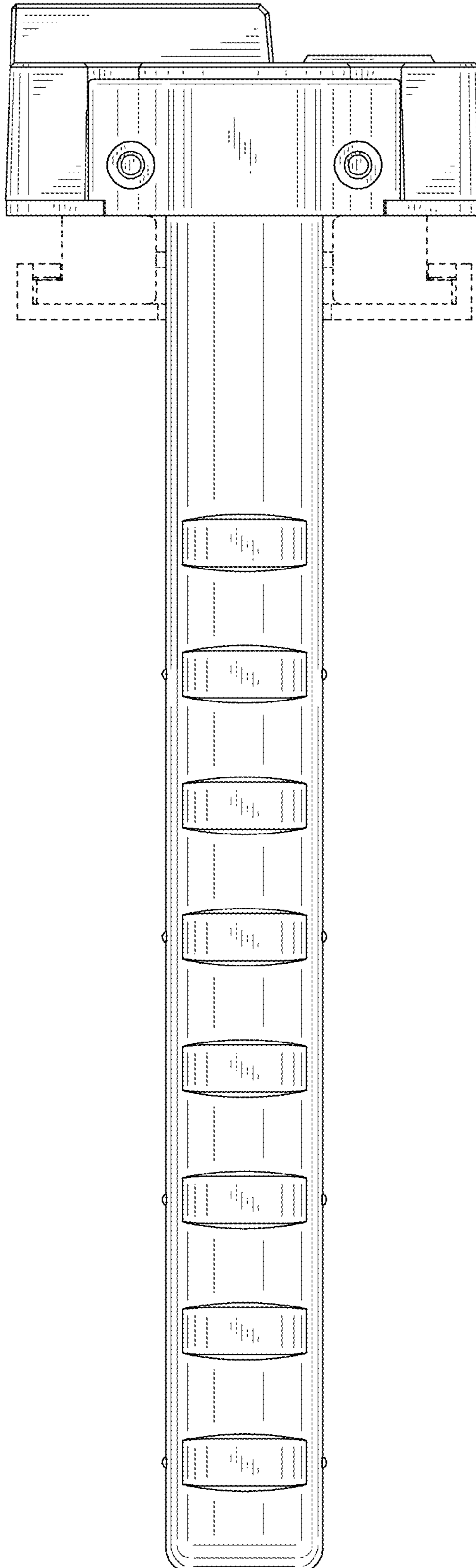


FIG.9

