



US00D882160S

(12) **United States Design Patent**  
**Roys et al.**

(10) **Patent No.:** **US D882,160 S**  
(45) **Date of Patent:** **\*\* Apr. 21, 2020**

(54) **LED CLIP**

FOREIGN PATENT DOCUMENTS

(71) Applicant: **Curtis A. Roys**, Fredericksburg, TX (US)  
(72) Inventors: **Curtis Alan Roys**, Fredericksburg, TX (US); **Sidney Howard Norton**, Odessa, TX (US)

EP 1931006 A1 6/2008  
*Primary Examiner* — Natasha Vujcic  
(74) *Attorney, Agent, or Firm* — Scheinberg & Associates, PC; Michael O. Scheinberg

(\*\*) Term: **15 Years**

(57) **CLAIM**

(21) Appl. No.: **29/657,390**

We claim the ornamental design for a LED clip, as shown and described.

(22) Filed: **Jul. 20, 2018**

(51) **LOC (12) Cl.** ..... **26-05**

(52) **U.S. Cl.**  
USPC ..... **D26/138**

**DESCRIPTION**

(58) **Field of Classification Search**  
USPC ..... D26/72, 74, 76, 78–83, 85, 86, 88, 90, D26/93, 111, 113, 118, 119, 120, 121, D26/122, 138, 139, 140, 141, 142, 152  
CPC ..... F21S 2/00; F21S 4/00; F21S 4/003; F21S 4/005; F21S 4/006; F21S 4/007; F21S 4/008; F21S 6/00; F21S 8/00; F21S 8/024; F21S 8/026; F21S 8/031; F21S 8/033; F21S 8/035–037; F21S 8/04; F21S 8/043; F21S 8/063

FIG. 1 is an isometric view of an LED clip showing my new design;  
FIG. 2 is a front elevation thereof, wherein the rear elevation is a mirror image thereof;  
FIG. 3 is a left side elevation thereof, wherein the right side elevation is a mirror image thereof;  
FIG. 4 is a top plan view thereof;  
FIG. 5 is a bottom plan view thereof;  
FIG. 6 is an isometric view of the LED clip of FIG. 1 with LED modules installed;  
FIG. 7 is a front elevation thereof, wherein the rear elevation is a mirror image thereof;  
FIG. 8 is a left side elevation thereof, wherein the right side elevation is a mirror image thereof;  
FIG. 9 is a top plan view thereof;  
FIG. 10 is a bottom plan view thereof; and,  
FIG. 11 is a front view thereof showing the LED clip with LED modules installed mounted onto a support tube.  
The rear elevation is the same as the front elevation. The right side elevation is the same as the left side elevation. Broken lines shows the environment in which the design is used but forms no part of the claimed design. The break lines in drawings indicate that the appearance of any portion of the LED clip between the break lines forms no part of the claimed design.

See application file for complete search history.

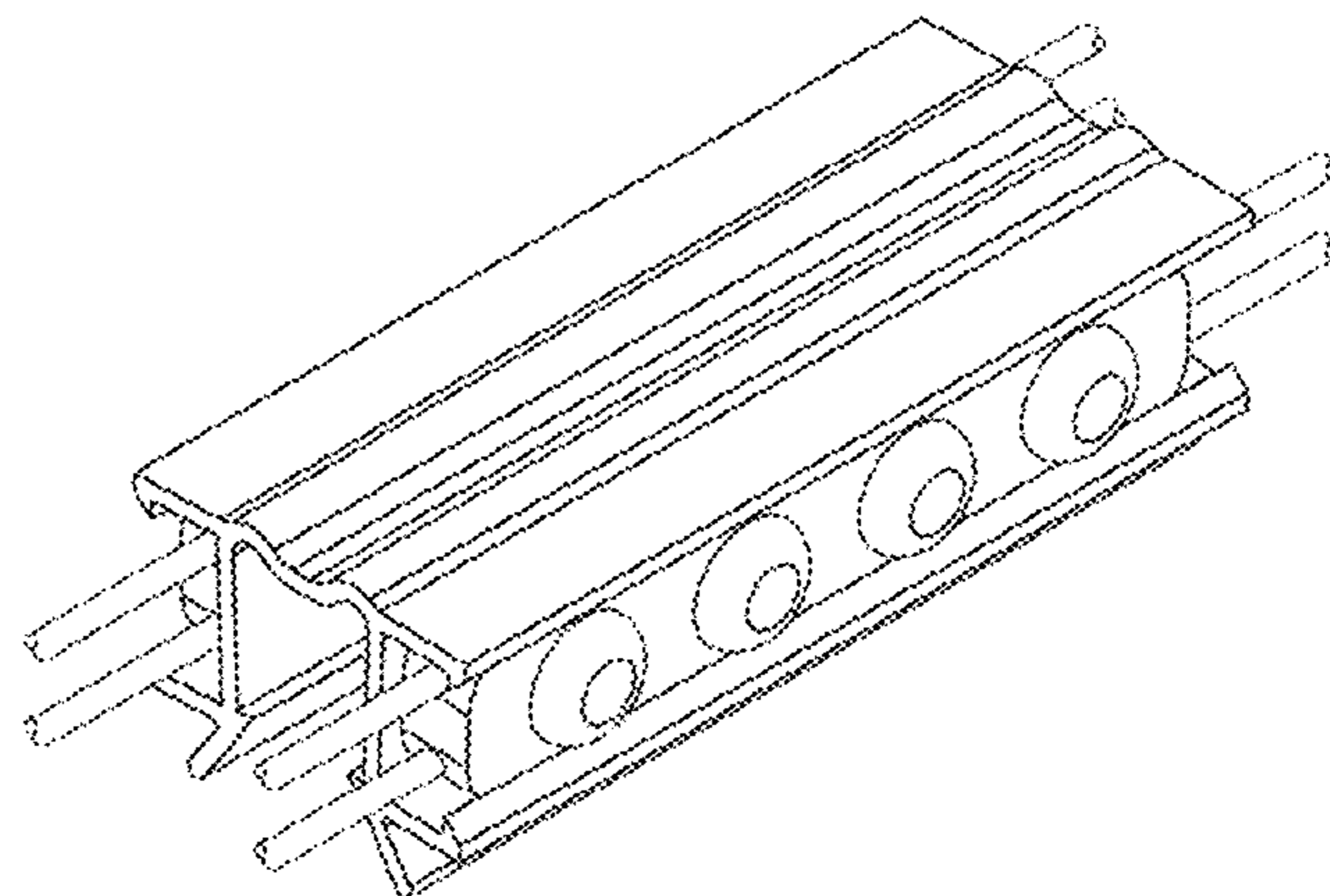
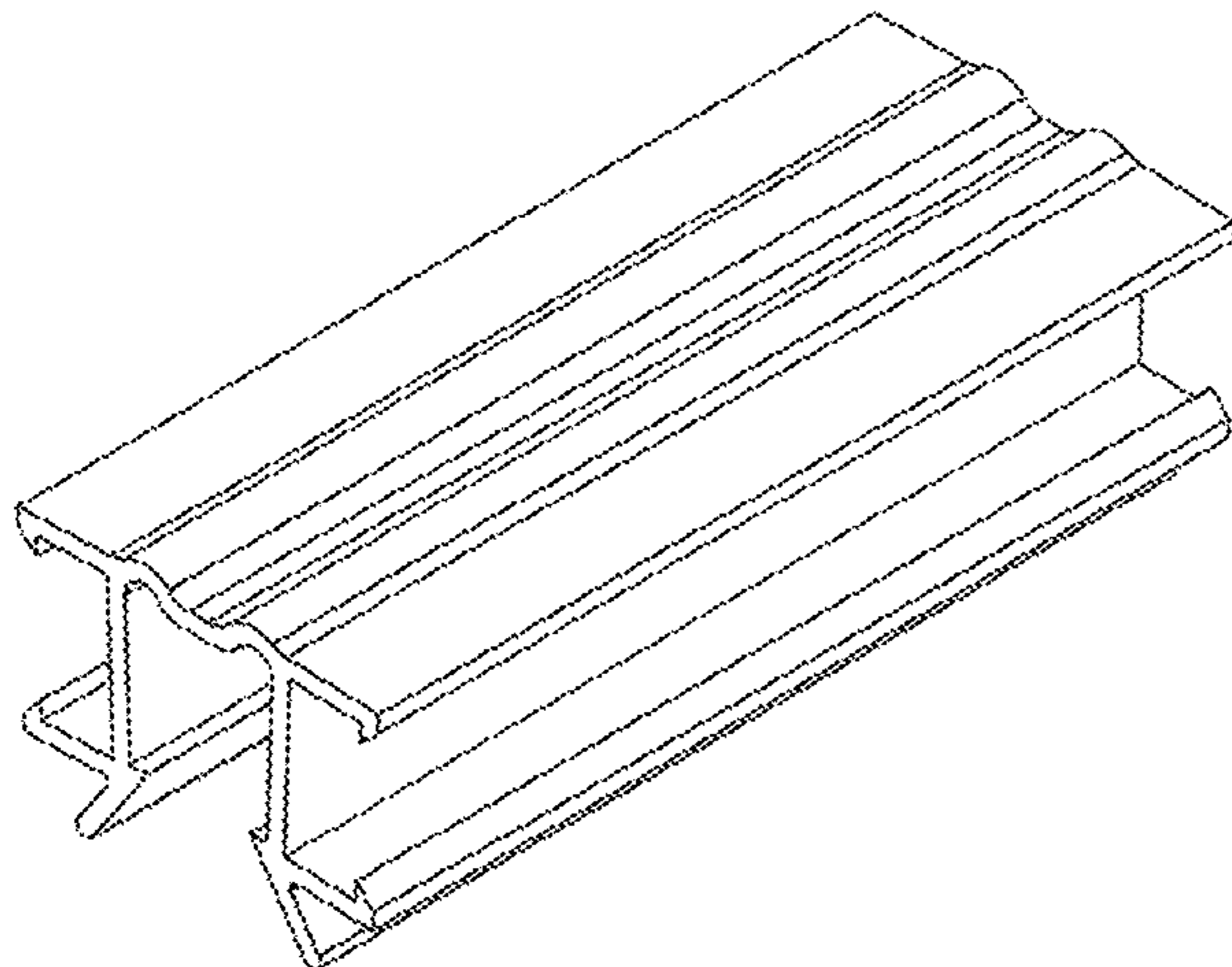
(56) **References Cited**

U.S. PATENT DOCUMENTS

3,883,926	A	5/1975	Reynolds
3,894,225	A	7/1975	Chao
4,173,035	A	10/1979	Hoyt
4,439,818	A	3/1984	Scheib
5,288,047	A	2/1994	Pan
5,331,512	A	7/1994	Orton
5,559,681	A	9/1996	Duarte
6,056,418	A	5/2000	Hsu
6,109,765	A	8/2000	Blanton
6,216,987	B1	4/2001	Fukuo
6,267,342	B1	7/2001	Huang
6,685,385	B1	2/2004	Ledingham

(Continued)

**1 Claim, 6 Drawing Sheets**



(56)

References Cited

U.S. PATENT DOCUMENTS

7,213,941 B2 5/2007 Sloan et al.  
 7,478,924 B2 1/2009 Robertson  
 7,744,266 B2 6/2010 Higley et al.  
 D649,682 S 11/2011 Trzesniowski  
 D649,683 S 11/2011 Trzesniowski  
 D649,692 S 11/2011 Trzesniowski  
 D652,568 S 1/2012 Trzesniowski  
 D652,985 S 1/2012 Trzesniowski  
 D652,986 S 1/2012 Trzesniowski  
 D663,048 S 7/2012 Chen  
 D665,518 S 8/2012 Takahashi et al.  
 D666,328 S \* 8/2012 Morton ..... D25/122  
 8,240,894 B2 8/2012 Sanroma et al.  
 D673,307 S 12/2012 Moghal  
 8,449,145 B1 5/2013 Berry et al.  
 8,474,998 B2 7/2013 Wang et al.  
 D695,955 S \* 12/2013 Klus ..... D26/138  
 D715,461 S 10/2014 Chen  
 D724,257 S 3/2015 Klus  
 D724,259 S 3/2015 Klus  
 D724,260 S 3/2015 Klus  
 D775,409 S \* 12/2016 Klus ..... D26/138  
 D775,410 S \* 12/2016 Klus ..... D26/138  
 D792,017 S \* 7/2017 Klus ..... D26/138  
 D796,110 S \* 8/2017 Klus ..... D26/138  
 D799,065 S 10/2017 Tremaine et al.  
 D802,176 S 11/2017 Tan et al.

D807,572 S \* 1/2018 Klus ..... D26/138  
 D818,187 S 5/2018 Trzesniowski  
 D818,188 S \* 5/2018 Trzesniowski ..... D26/138  
 D818,189 S 5/2018 Trzesniowski  
 D818,194 S 5/2018 Trzesniowski  
 D831,465 S 10/2018 MacDonald et al.  
 D834,398 S 11/2018 MacDonald et al.  
 D834,399 S 11/2018 MacDonald et al.  
 D845,516 S \* 4/2019 Yuan ..... D26/138  
 D847,412 S \* 4/2019 Trzcieli ski ..... D26/138  
 D868,353 S \* 11/2019 Trzcielinski ..... D26/138  
 D869,070 S \* 12/2019 Trzcieli ski ..... D26/138  
 D869,073 S \* 12/2019 Trzcielinski ..... D26/138  
 D869,077 S \* 12/2019 Trzcieli ski ..... D26/138  
 D869,078 S \* 12/2019 Trzcieli ski ..... D26/138  
 2006/0039142 A1 2/2006 Temple  
 2007/0242466 A1 10/2007 Wu et al.  
 2008/0158858 A1 7/2008 Madireddi et al.  
 2009/0121988 A1 5/2009 Amo et al.  
 2009/0146910 A1 6/2009 Gardner  
 2009/0296381 A1 12/2009 Dubord  
 2011/0019413 A1 1/2011 Zimmerman et al.  
 2011/0058357 A1 3/2011 Anderson  
 2011/0058377 A1 3/2011 Chou et al.  
 2011/0134640 A1 6/2011 Bertele  
 2012/0298813 A1 11/2012 Gibbons et al.  
 2013/0333197 A1 12/2013 Schulte et al.  
 2015/0144760 A1 5/2015 Paradiso  
 2015/0308631 A1 10/2015 Gorman et al.  
 2019/0293269 A1 \* 9/2019 Roys ..... F21V 21/088

\* cited by examiner

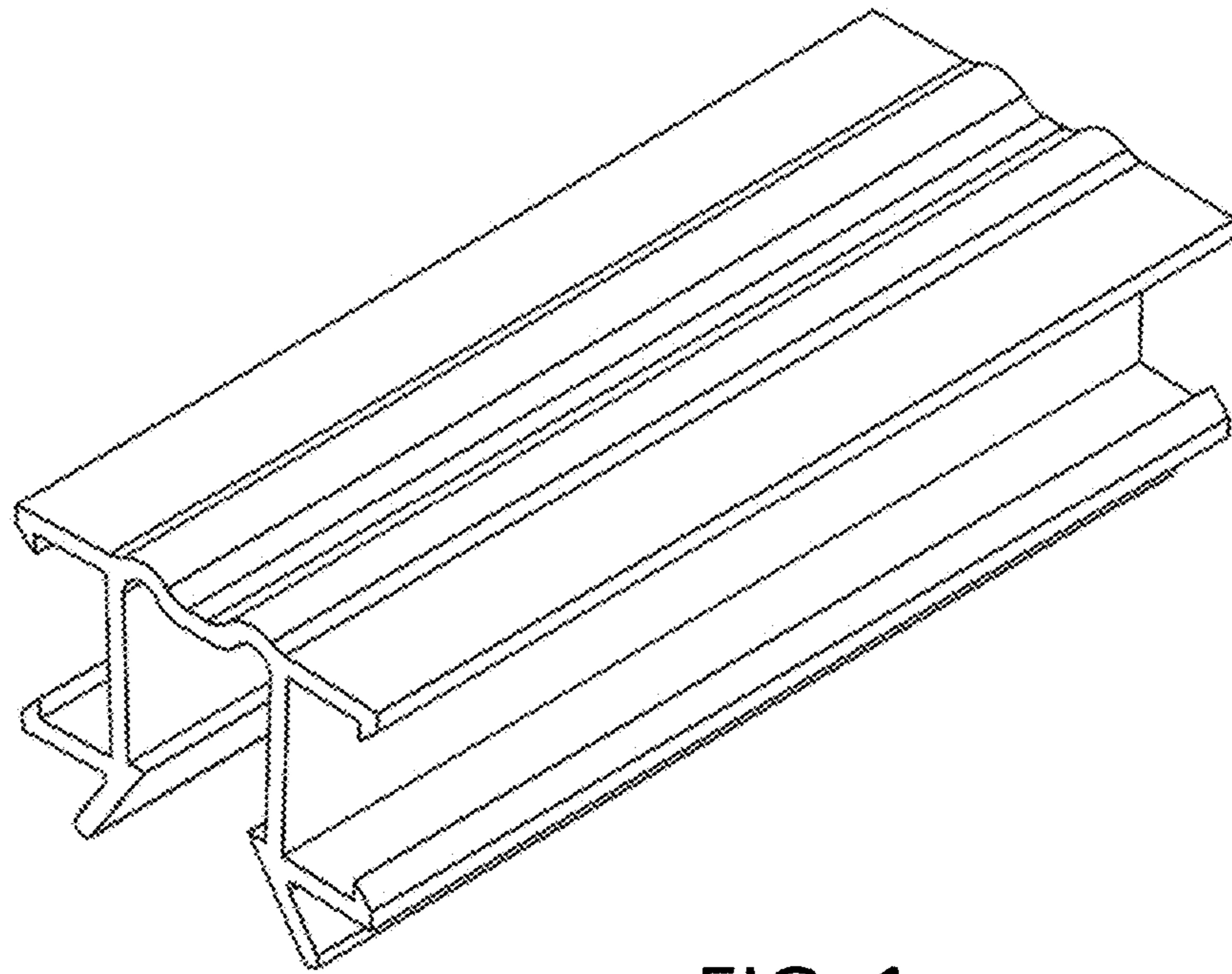


FIG. 1

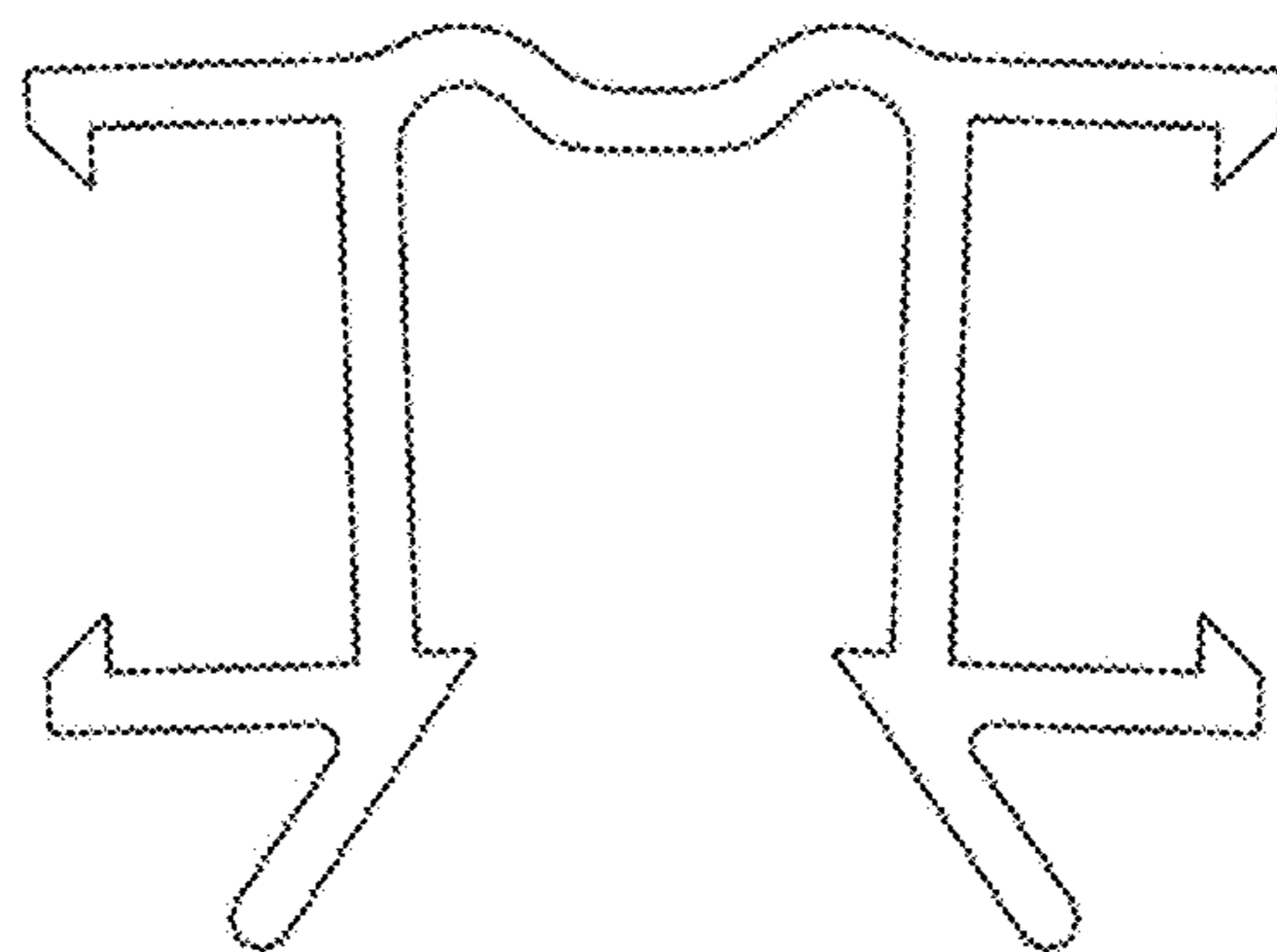


FIG. 2

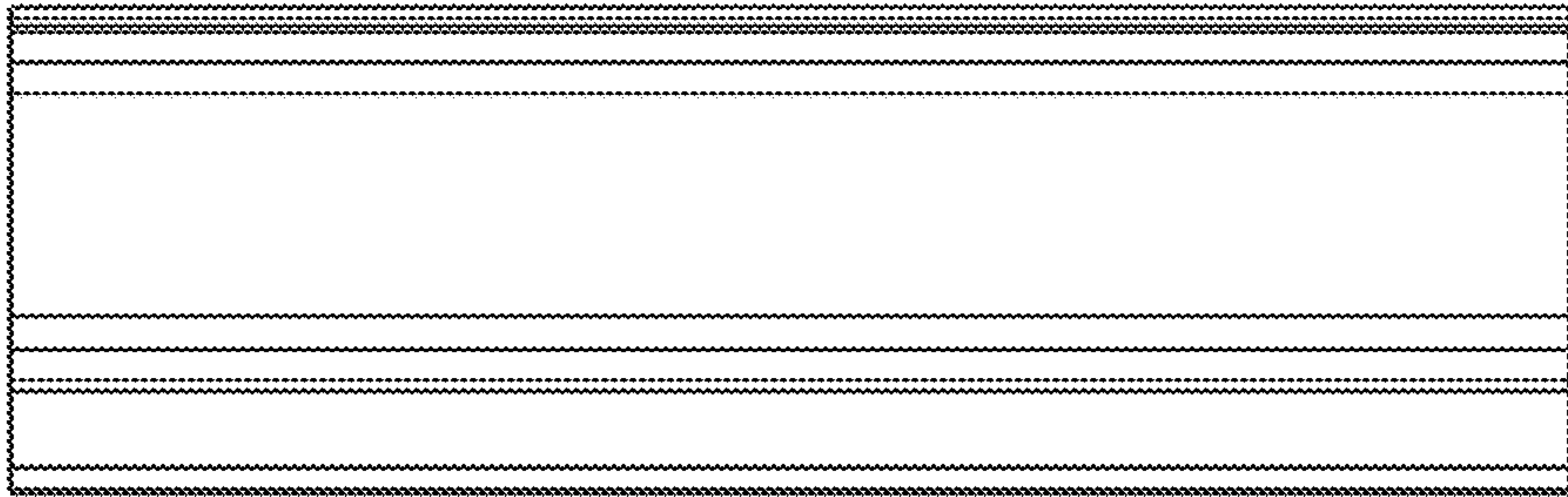


FIG. 3

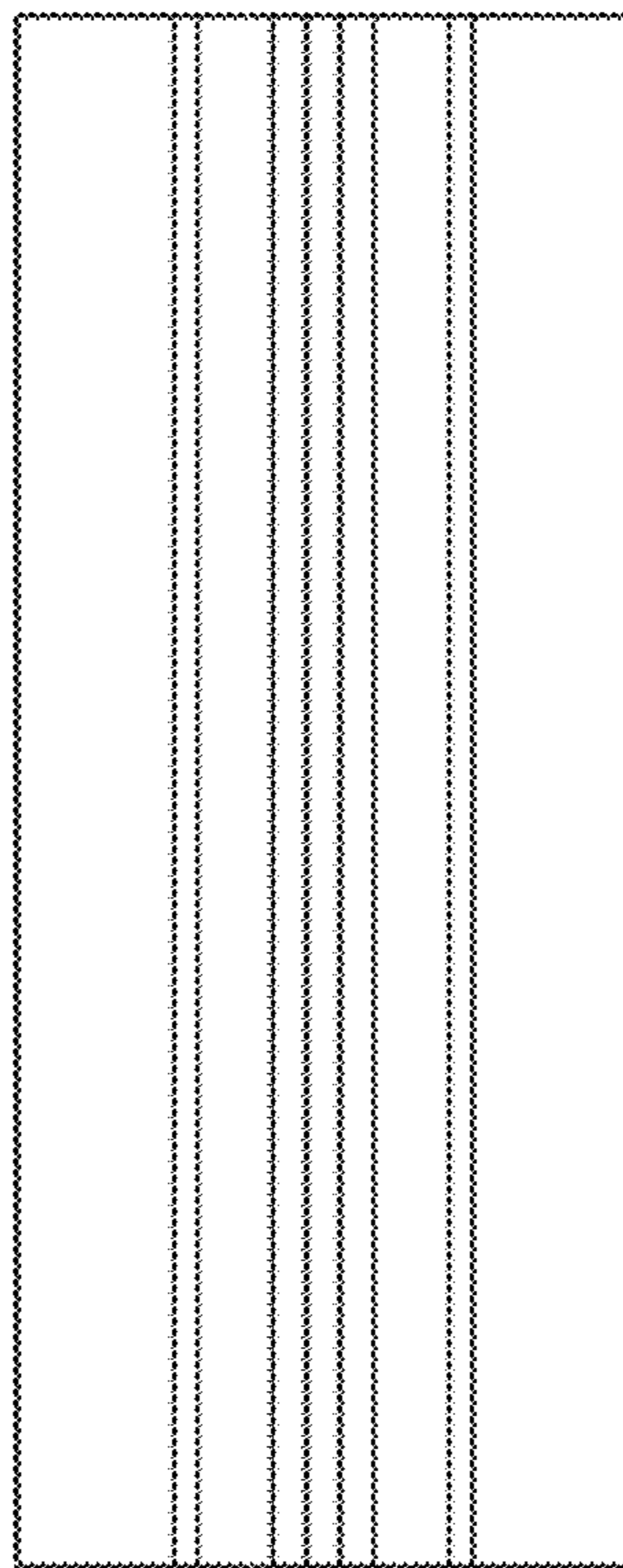


FIG. 4

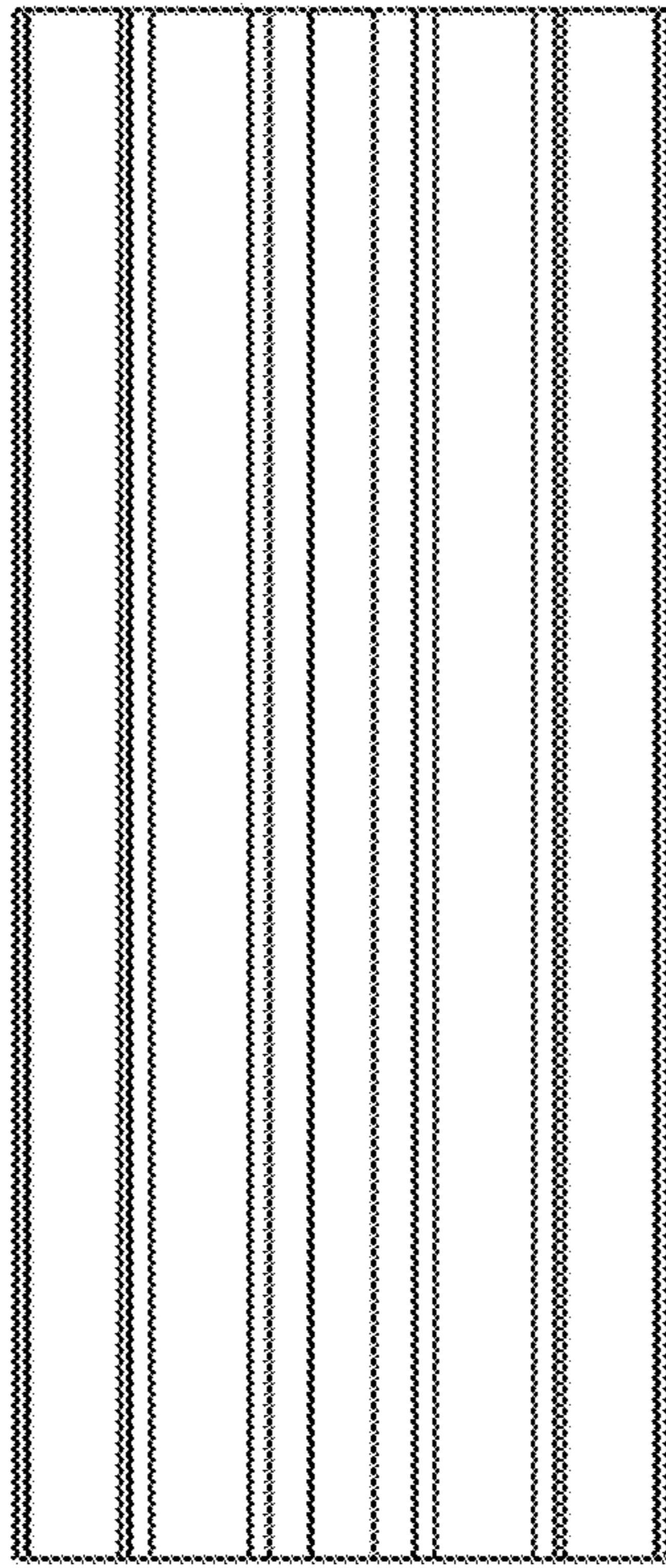


FIG. 5

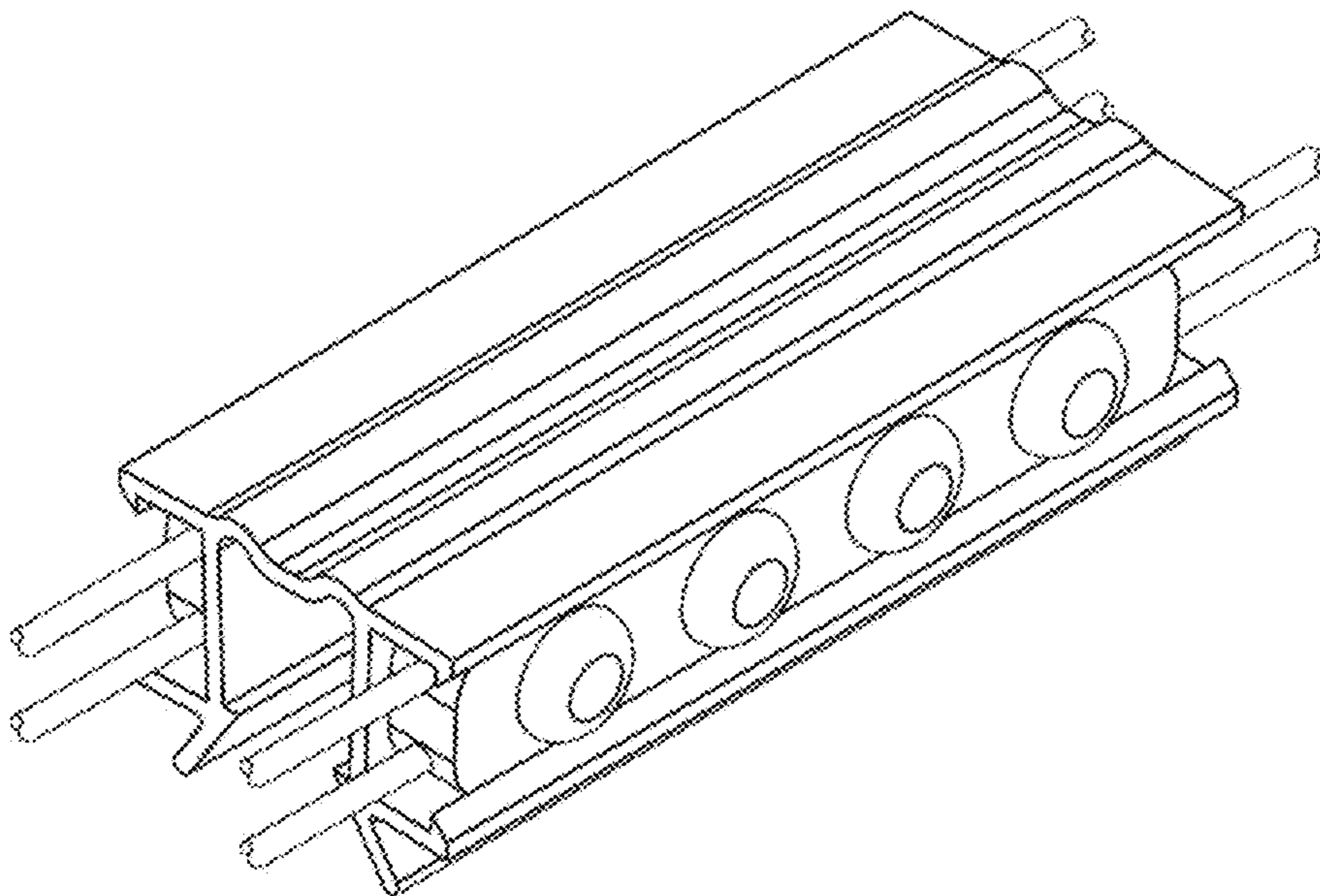


FIG. 6

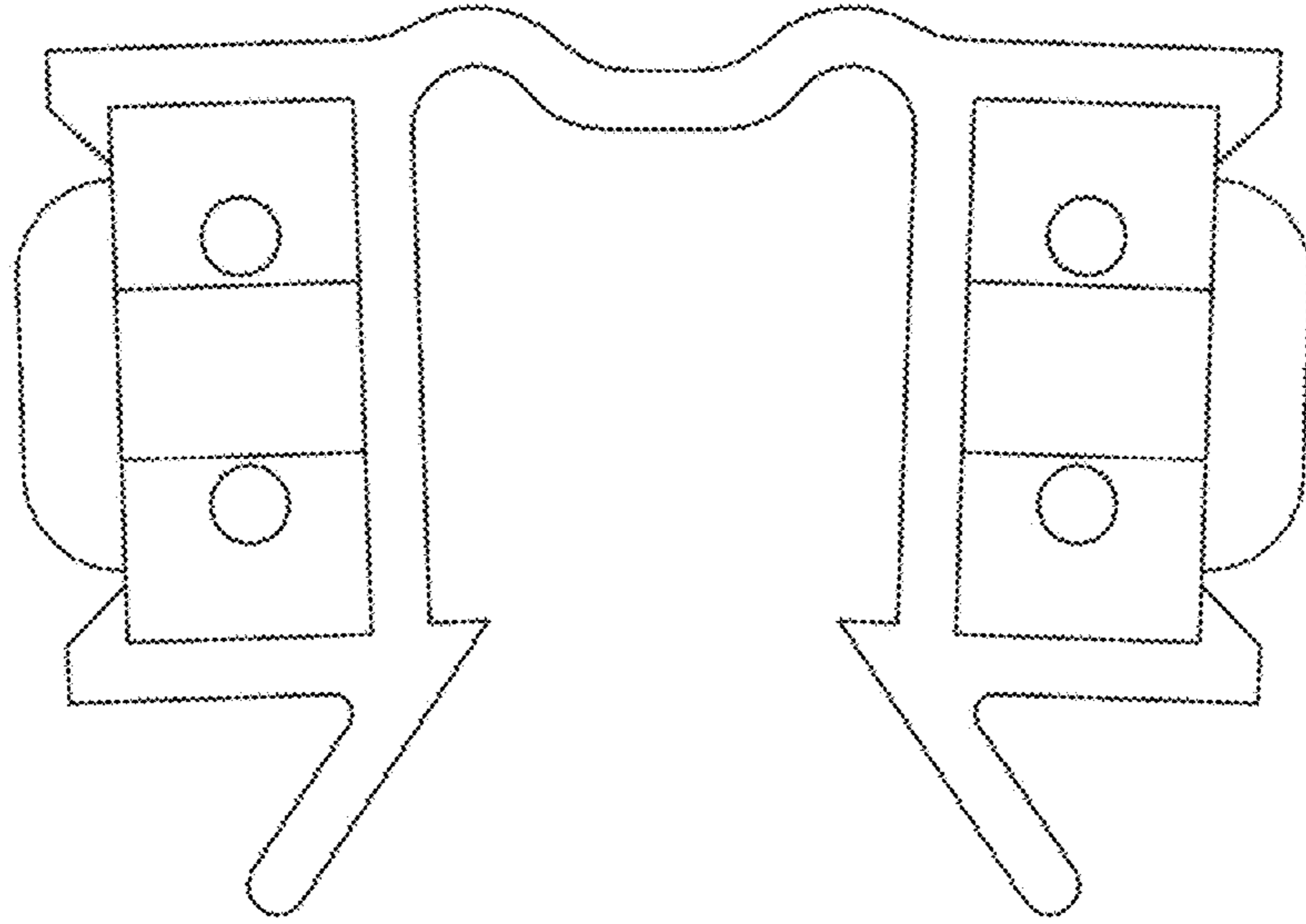


FIG. 7

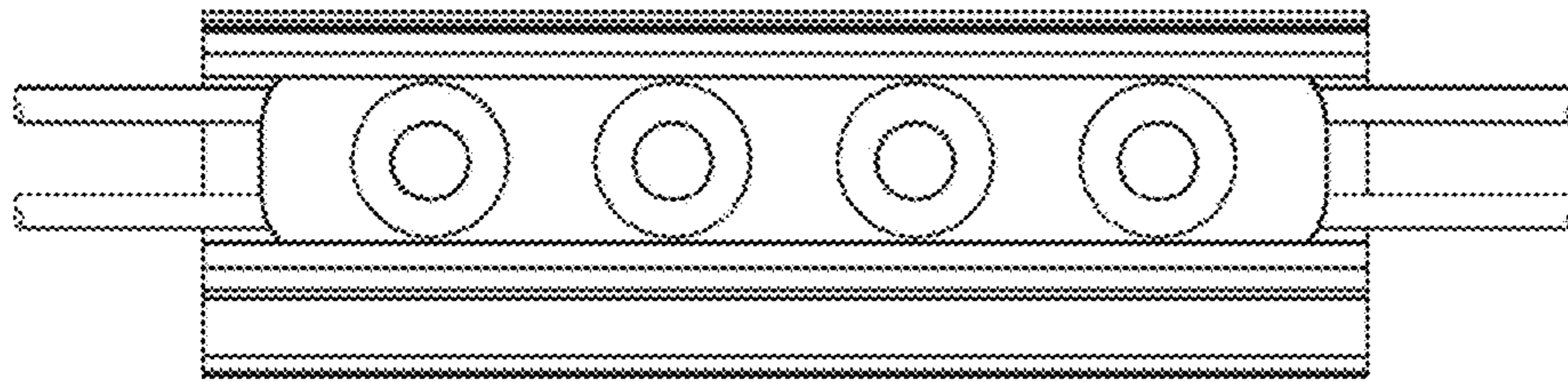


FIG. 8

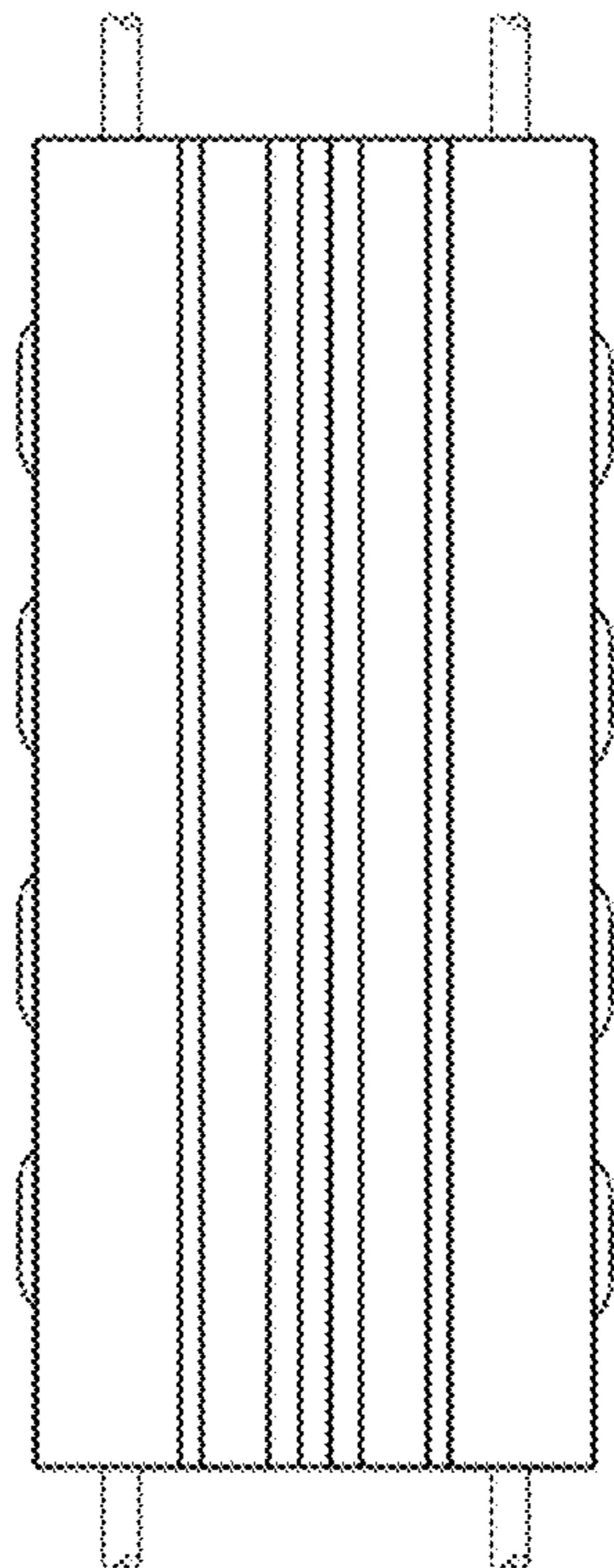


FIG. 9

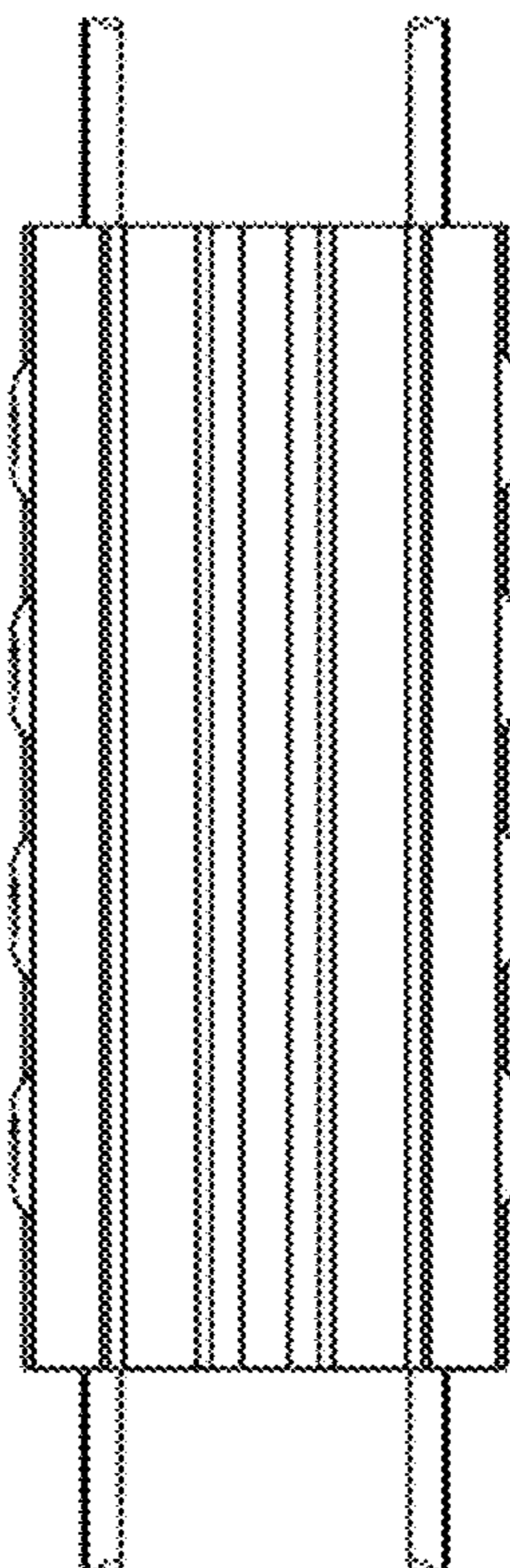


FIG. 10

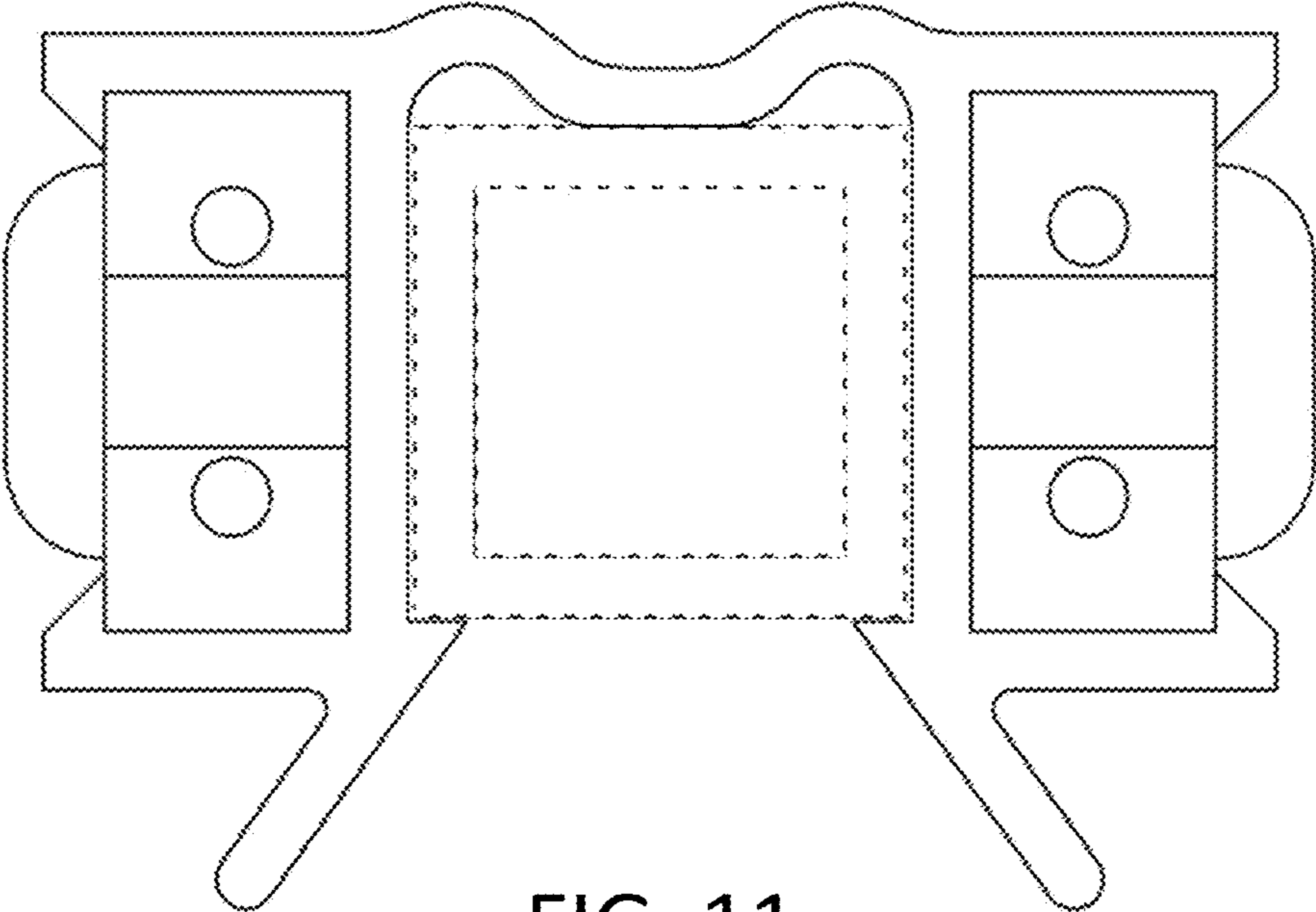


FIG. 11