



US00D882155S

(12) **United States Design Patent**  
**Blechner**

(10) **Patent No.:** **US D882,155 S**  
(45) **Date of Patent:** **\*\* Apr. 21, 2020**

(54) **LAMP**

(71) Applicant: **Innovative Consumer Goods, Inc.**,  
Brookline, MA (US)

(72) Inventor: **Mark Blechner**, Brookline, MA (US)

(73) Assignee: **Innovative Consumer Goods, Inc.**,  
Brookline, MA (US)

(\*\*) Term: **15 Years**

(21) Appl. No.: **29/697,549**

(22) Filed: **Jul. 9, 2019**

**Related U.S. Application Data**

(63) Continuation of application No. 29/653,134, filed on  
Jun. 12, 2018, now Pat. No. Des. 859,730.

(51) **LOC (12) Cl.** ..... **26-99**

(52) **U.S. Cl.**  
USPC ..... **D26/118; D26/62**

(58) **Field of Classification Search**  
USPC ..... D26/61-65, 24, 113, 118  
CPC .. F21S 6/00; F21S 6/003; F21V 14/00; F21V  
21/00; F21V 21/14; F21W 2131/30  
See application file for complete search history.

(56) **References Cited**

**U.S. PATENT DOCUMENTS**

D522,677 S \* 6/2006 Ming ..... D26/60  
D590,533 S \* 4/2009 Li ..... D26/60  
D590,976 S \* 4/2009 Levine ..... D26/60  
D608,925 S \* 1/2010 Hodgson ..... D26/62

D690,858 S \* 10/2013 Citterio ..... D26/63  
D754,382 S \* 4/2016 van Oord ..... D26/61  
D775,391 S \* 12/2016 Law ..... D26/61  
D803,450 S \* 11/2017 Xie ..... D26/63

**OTHER PUBLICATIONS**

[No Author Listed], 'Or-Li'—A Shabbat Lamp. The Zomet Institute. Accessed Apr. 6, 2017; 2 pages. Retrieved from the Internet <http://www.zomet.org.il/eng/?CategoryID=250&ArticleID=111&print=1> [Last accessed Jul. 25, 2018].

\* cited by examiner

*Primary Examiner* — Brian N. Vinson  
(74) *Attorney, Agent, or Firm* — Wolf, Greenfield & Sacks, P.C.

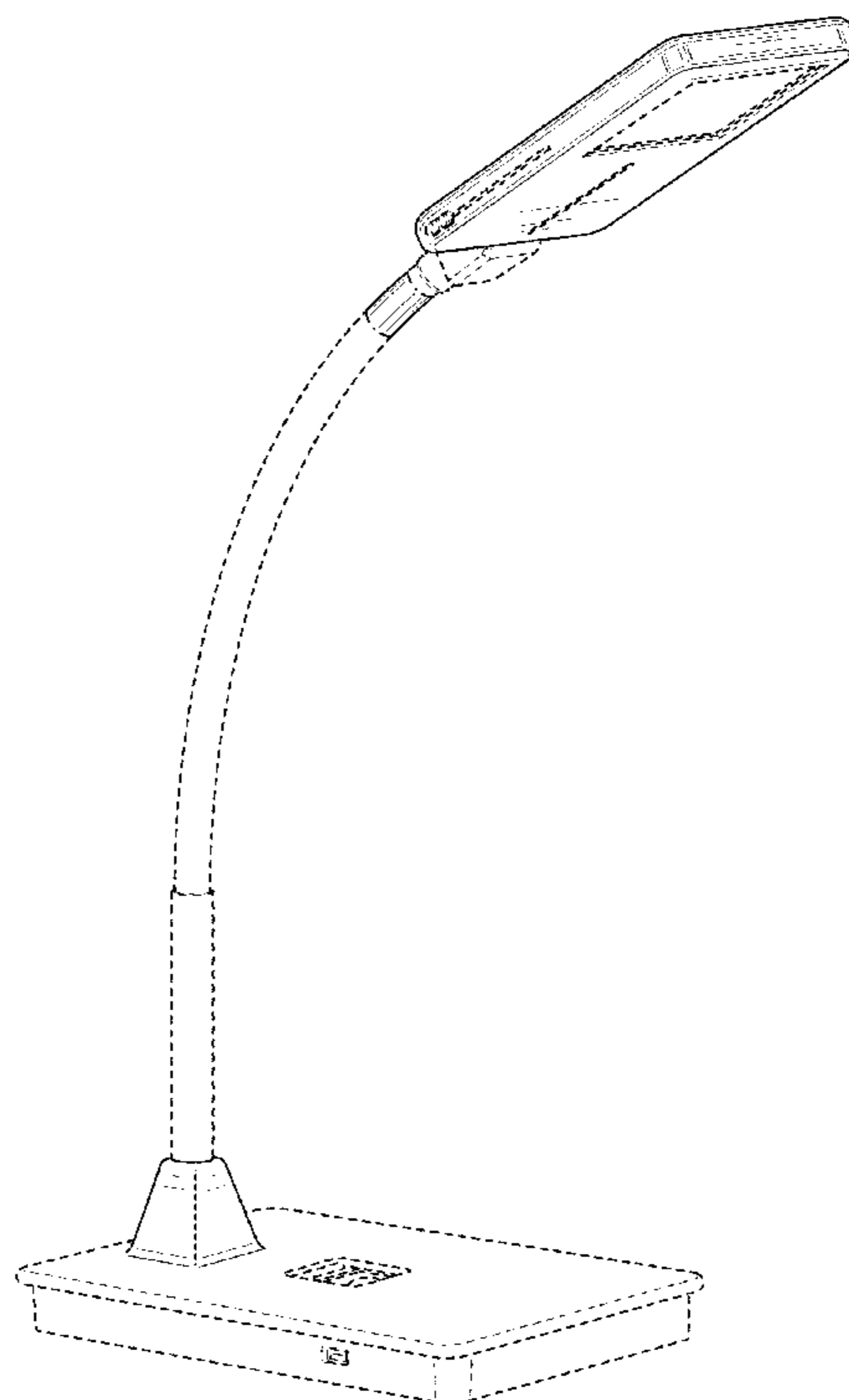
(57) **CLAIM**

The ornamental design for a lamp, as shown and described.

**DESCRIPTION**

FIG. 1 is a front, left perspective view of a lamp;  
FIG. 2 is a front view thereof;  
FIG. 3 is a rear view thereof;  
FIG. 4 is a left side view thereof;  
FIG. 5 is a right side view thereof;  
FIG. 6 is a top view thereof; and,  
FIG. 7 is a bottom view thereof.  
The dashed lines shown illustrate portions of the lamp that form no part of the claimed design. The dot-dash-dot lines immediately adjacent the shaded area represent boundary lines.

**1 Claim, 7 Drawing Sheets**



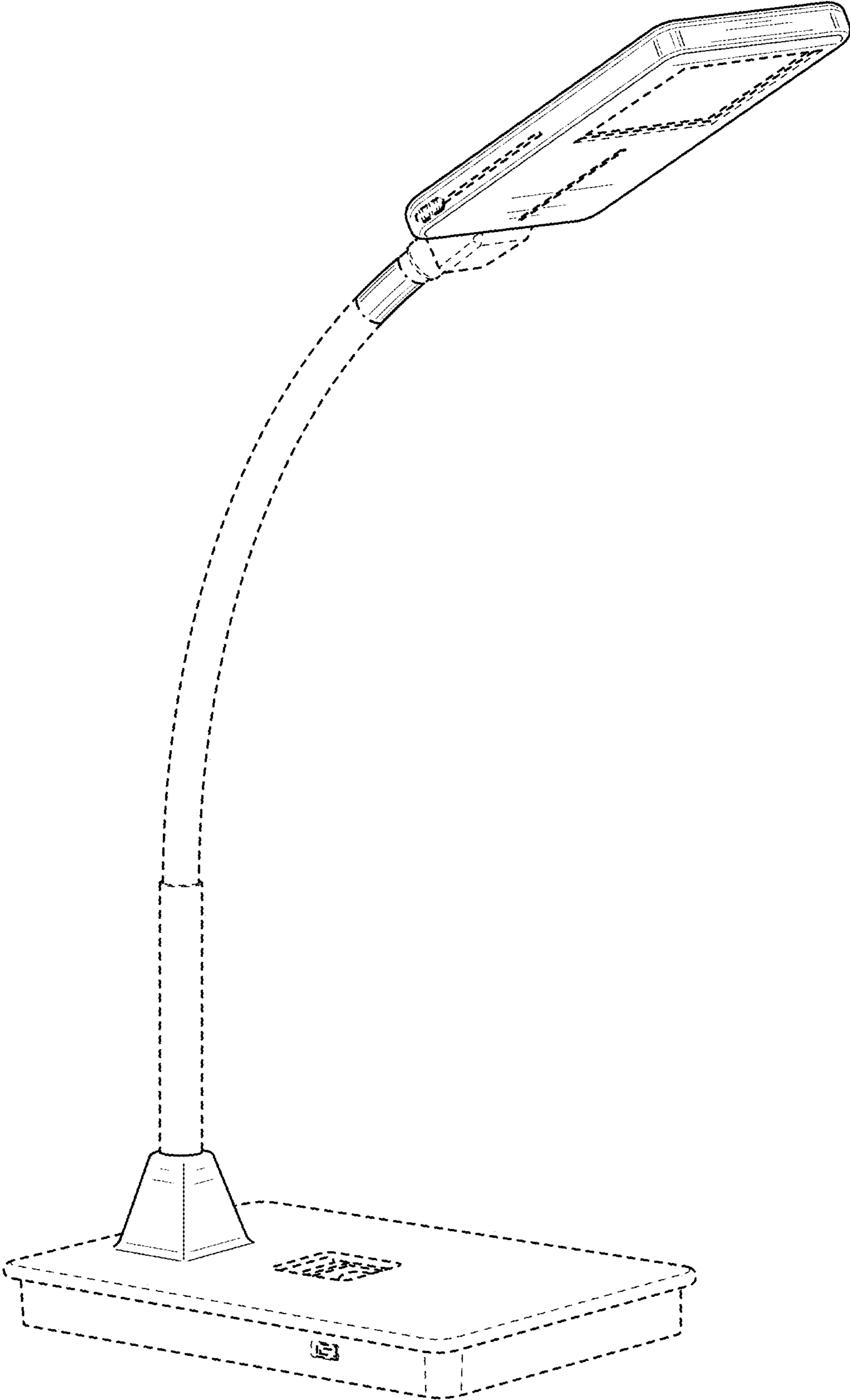


FIG. 1

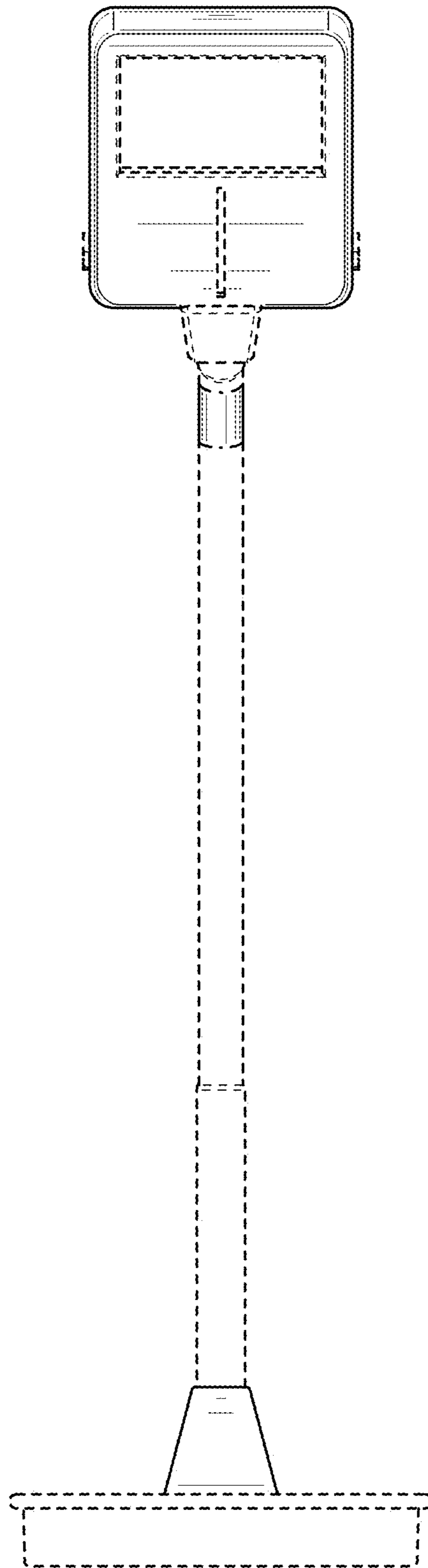


FIG. 2

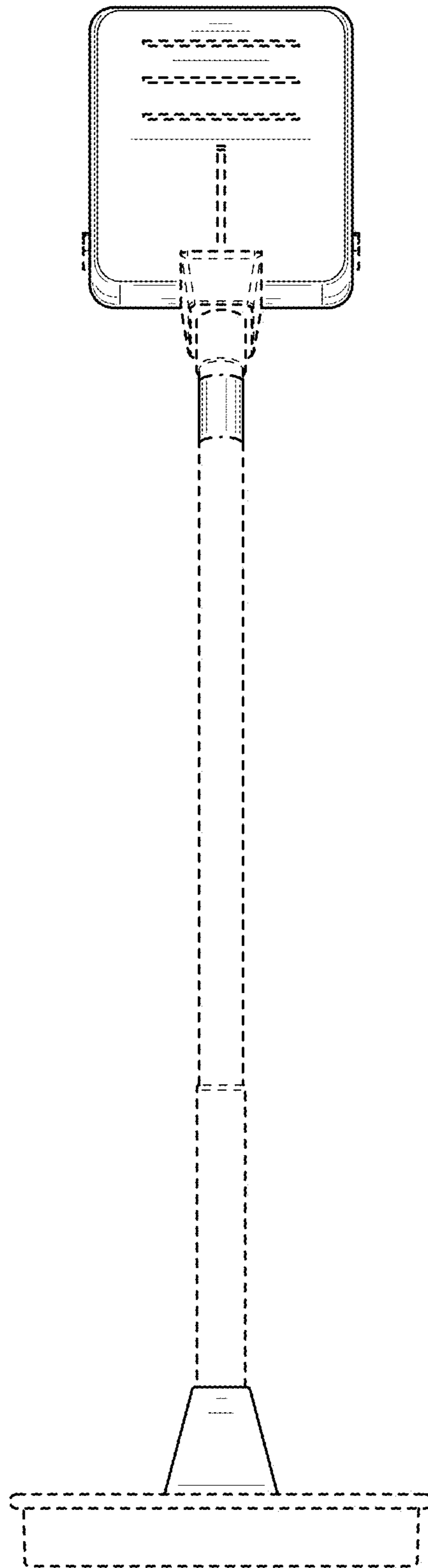


FIG. 3

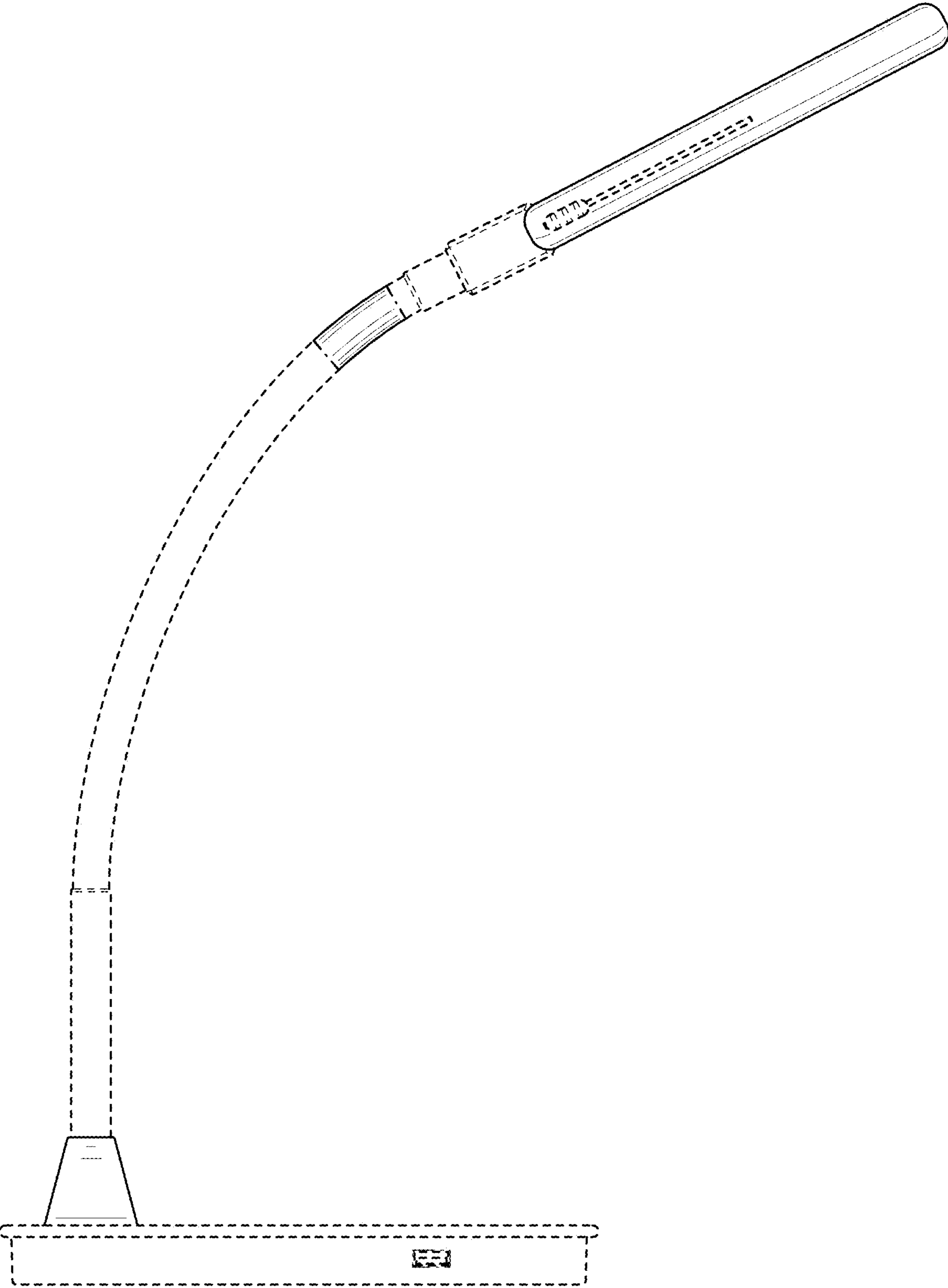


FIG. 4

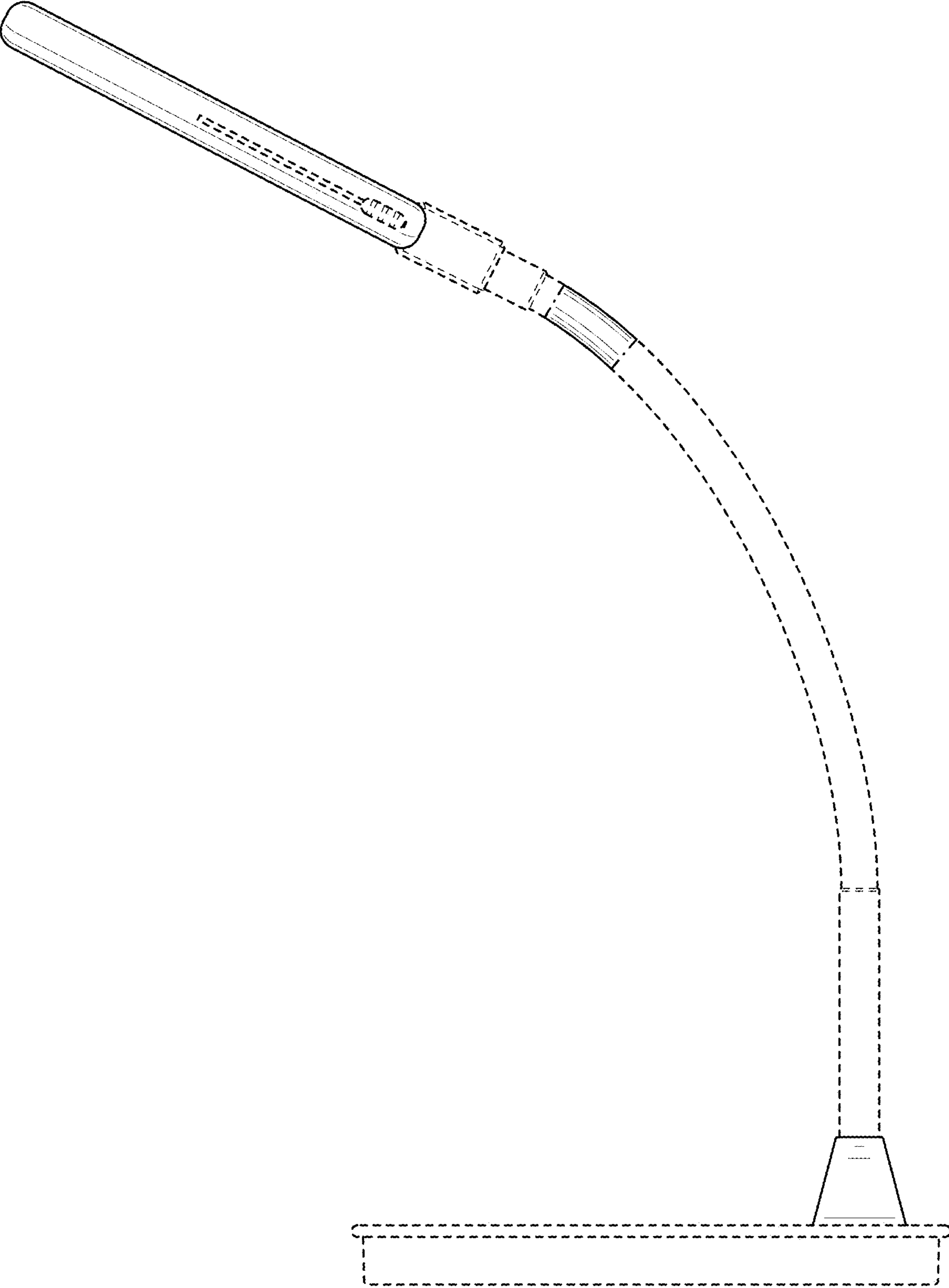


FIG. 5

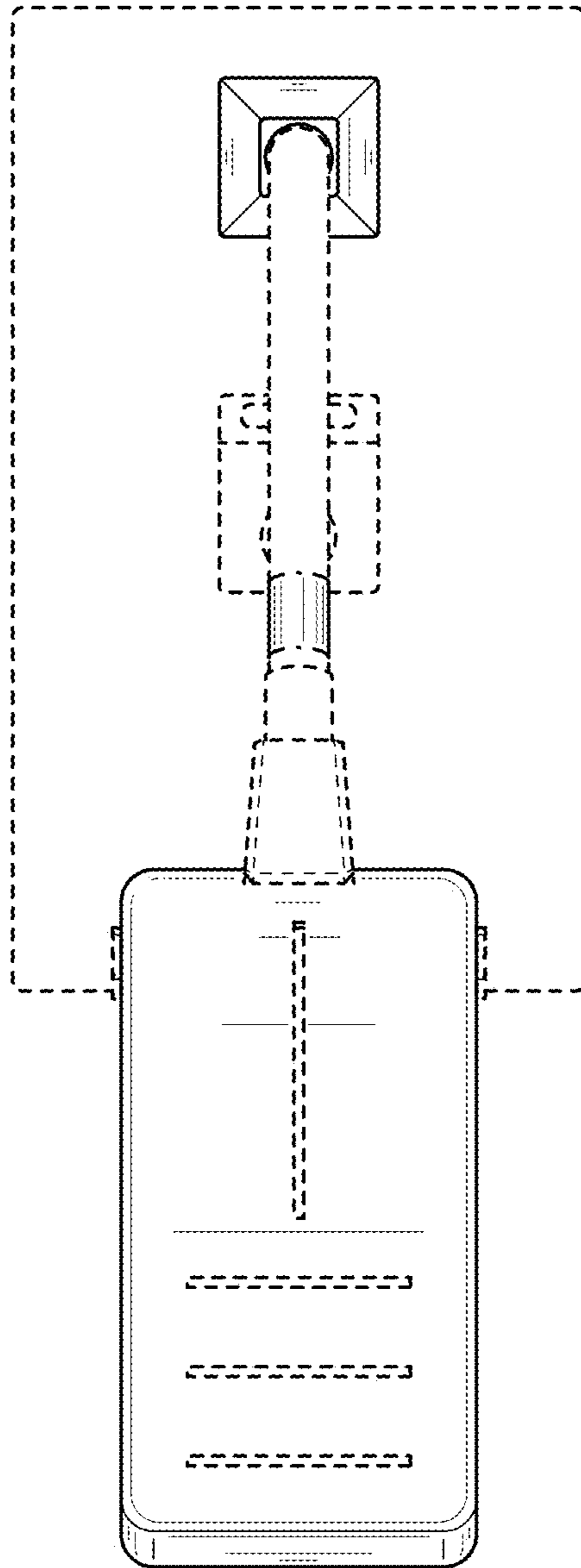


FIG. 6

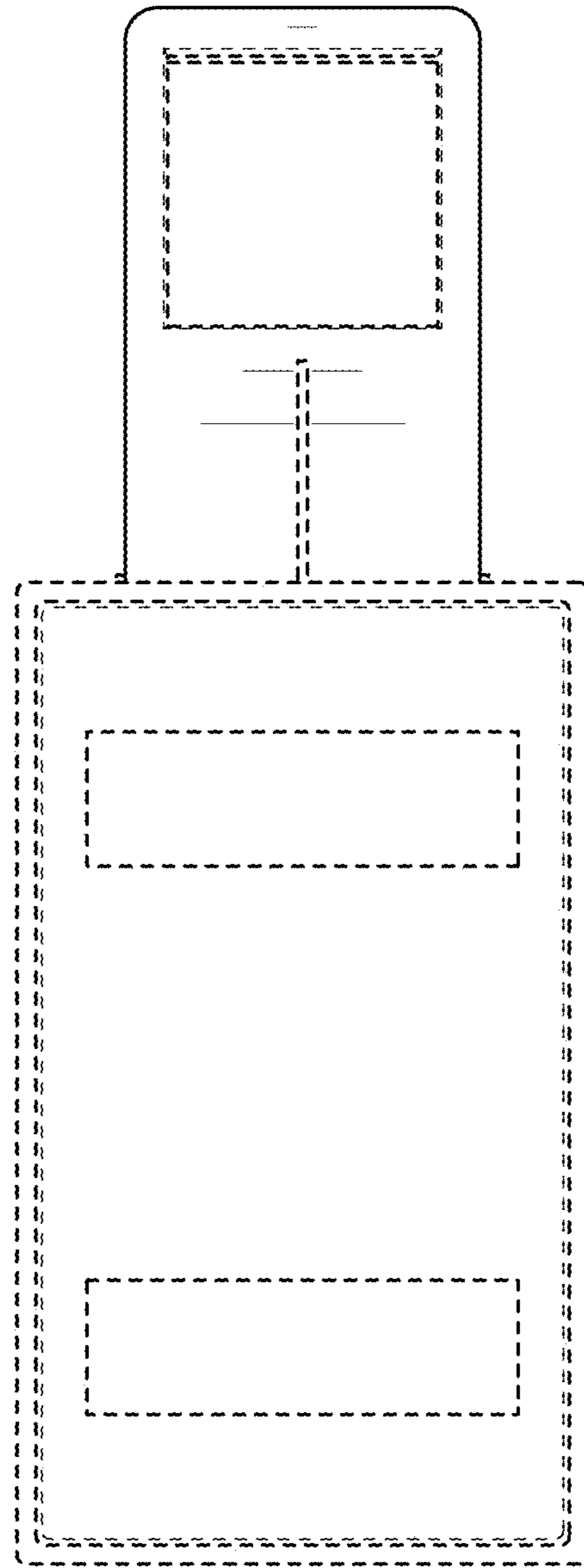


FIG. 7